

## Installation Instructions, Post Base

6x6 shown  
with optional  
2-3/8 Star  
(56623-sold  
separately)



- 56604 4x6 (4x6-PB-LS)
- 51704 4x6 (4x6-PB-IW)
- 56605 10x10 (10x10-PB-LS)
- 56607 4x4 (4x4-PB-LS)
- 51707 4x4 (4x4-PB-IW)
- 56608 6x6 (4x6-PB-LS)
- 51708 6x6 (4x6-PB-IW)
- 56609 8x8 (8x8-PB-LS)
- 51709 8x8 (8x8-PB-IW)

this instruction illustrates 6x6 Post Base installation.  
All Post Bases will be installed the same.

Laredo Sunset shown

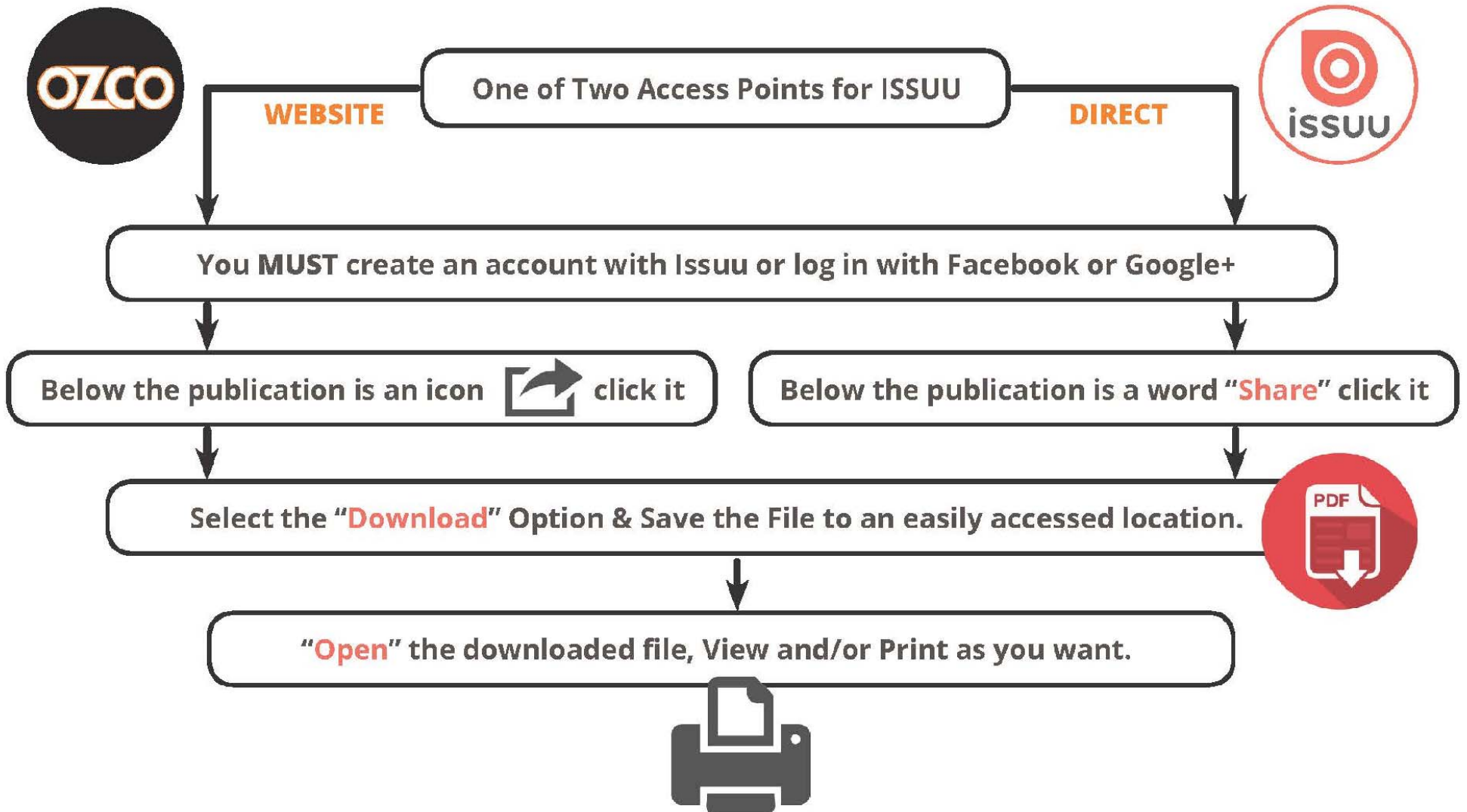


**OZCO** BUILDING PRODUCTS ■■■



# Printing Documents from ISSUU

Unfortunately, there is currently no way to print content directly through issuu. To print a publication, you will need to download it and print it from your computer.



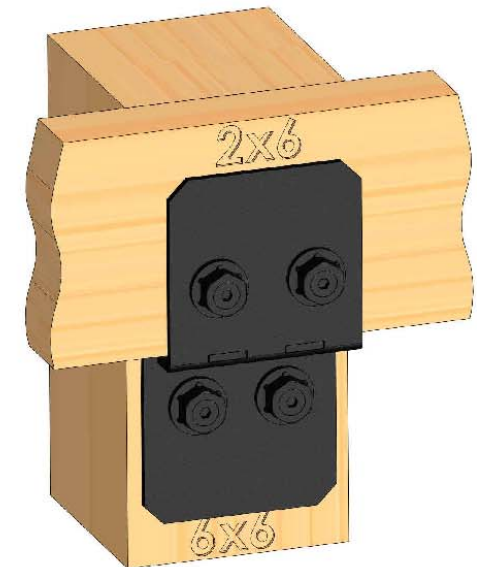
# Laredo Sunset & Ironwood



Laredo Sunset  
(566XX series)

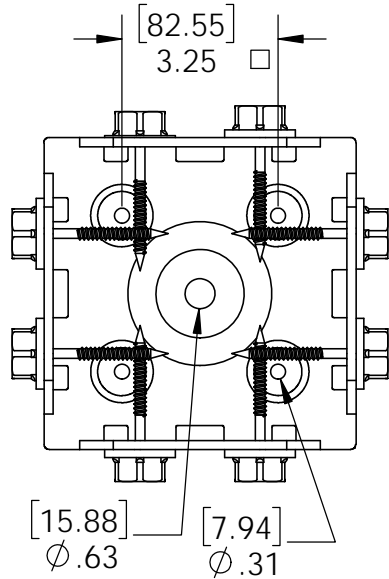
2 great styles  
Same functionality  
choose your  
connection lifestyle

both styles available for  
most products

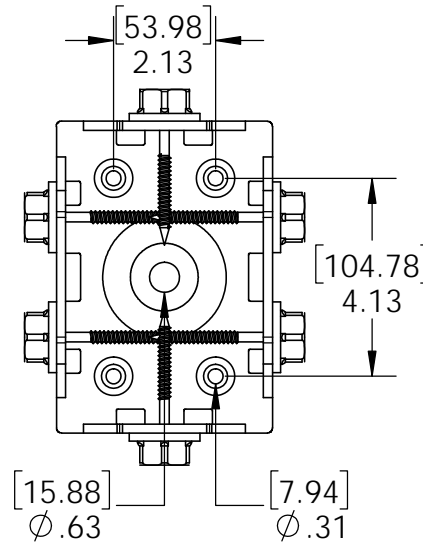


Ironwood  
(517XX series)

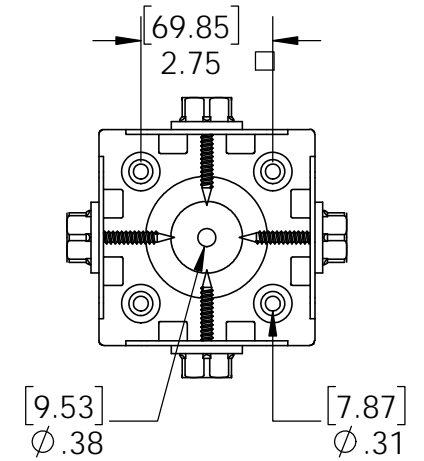




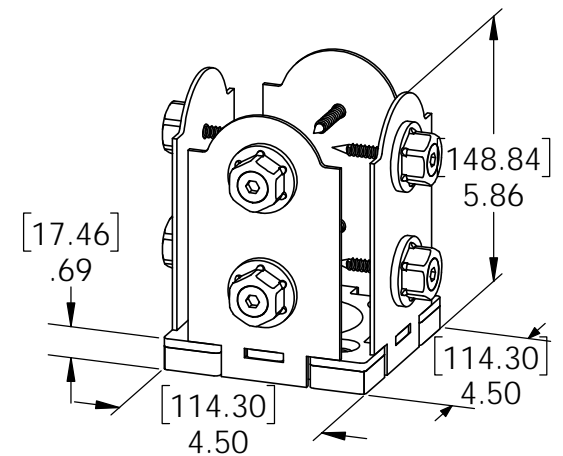
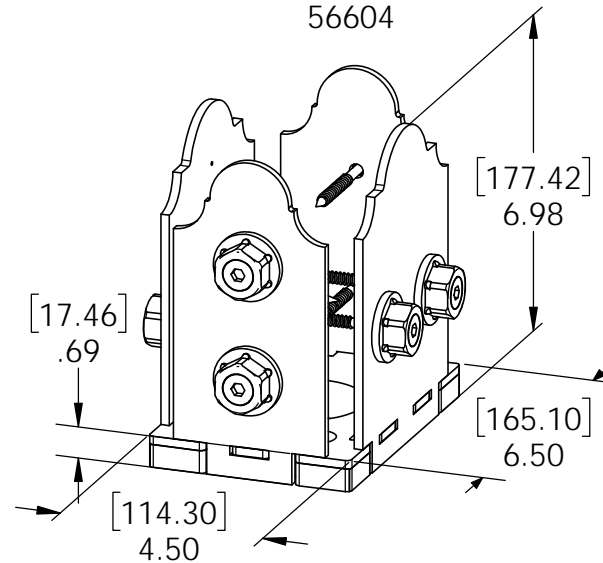
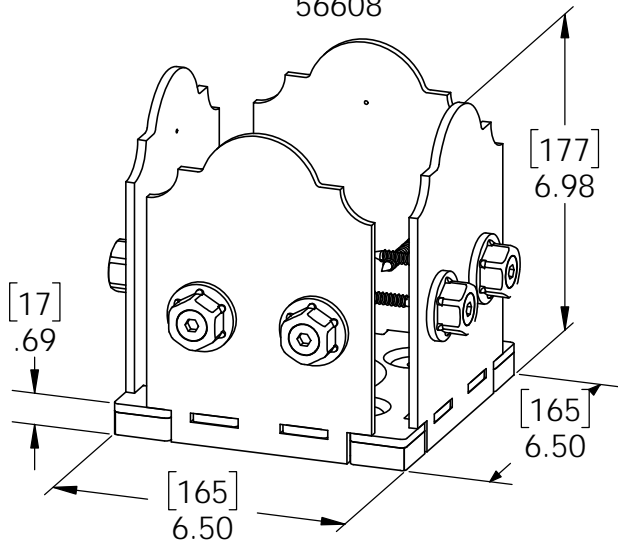
6x6 Post Base Kit (6X6-PB-LS)  
56608



4x6 Post Base  
56604

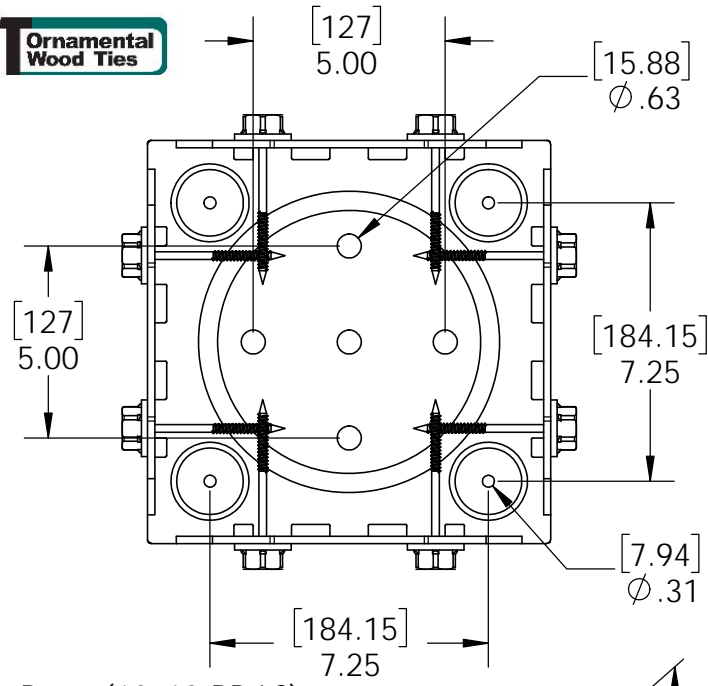


4x4 Post Base (4x4-PB-LS)  
56607

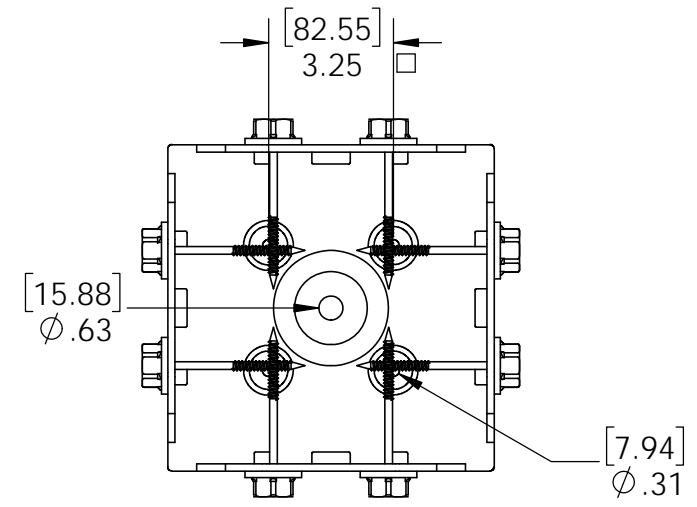


## Overview-Laredo Sunset

### Installation Instructions, Post Base

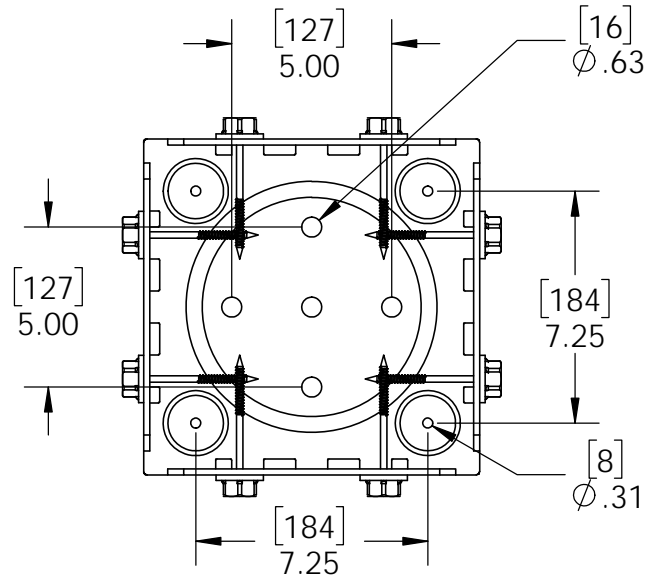


10x10 Post Base (10x10-PB-LS)  
56605

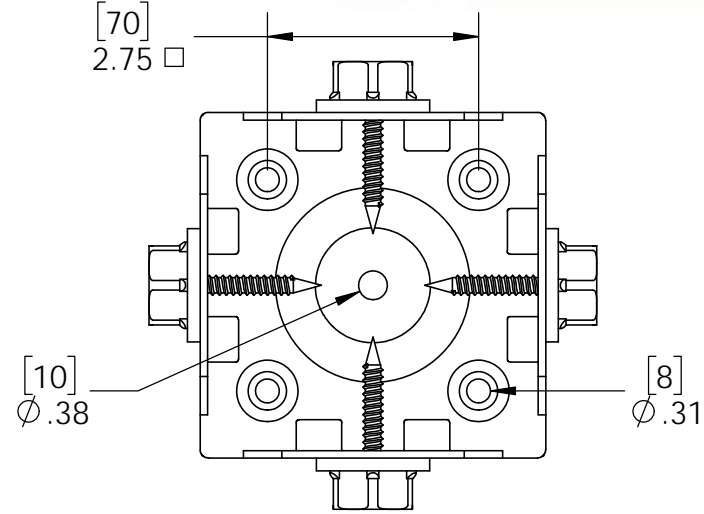
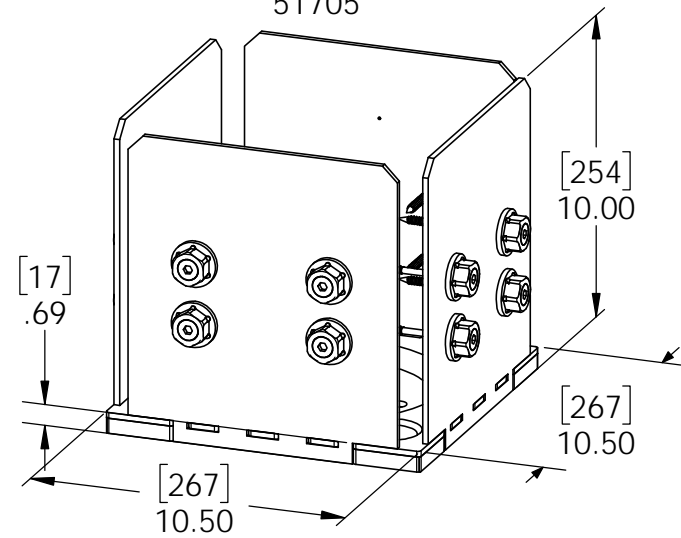


8x8 Post Base (8x8-PB-LS)  
56609

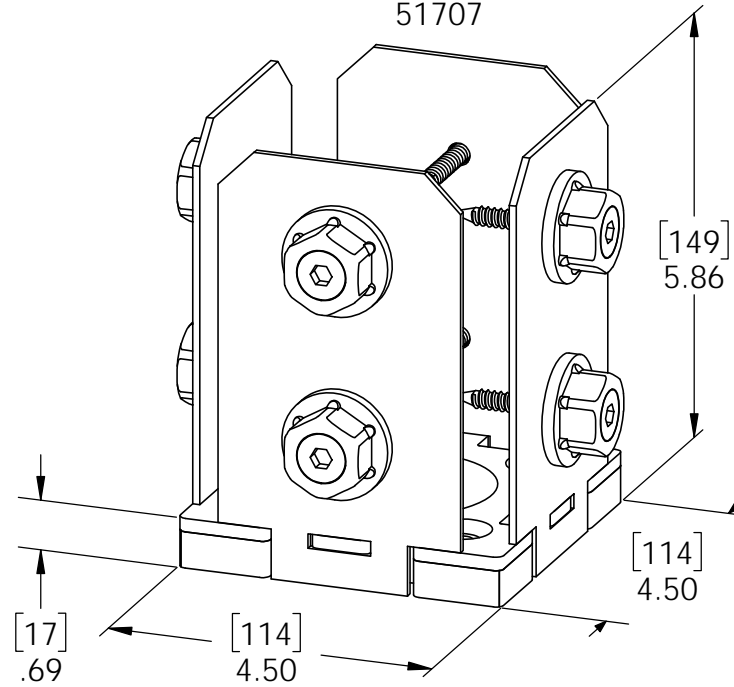
## Overview-Laredo Sunset



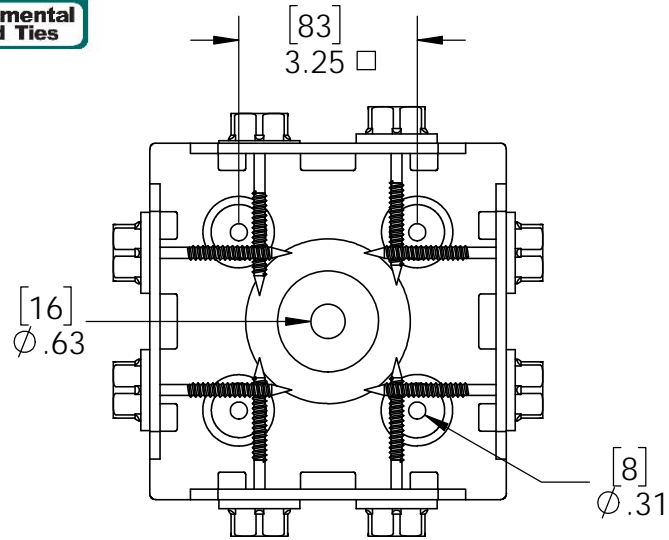
10x10 Post Base (10x10-PB-IW)  
51705



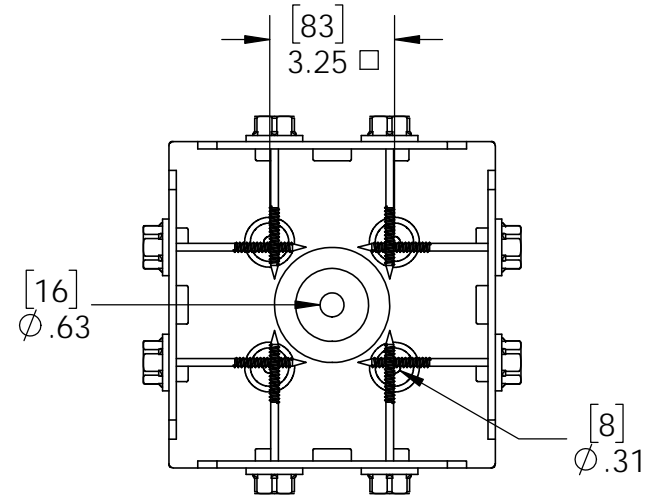
4x4 Post Base (4x4-PB-IW)  
51707



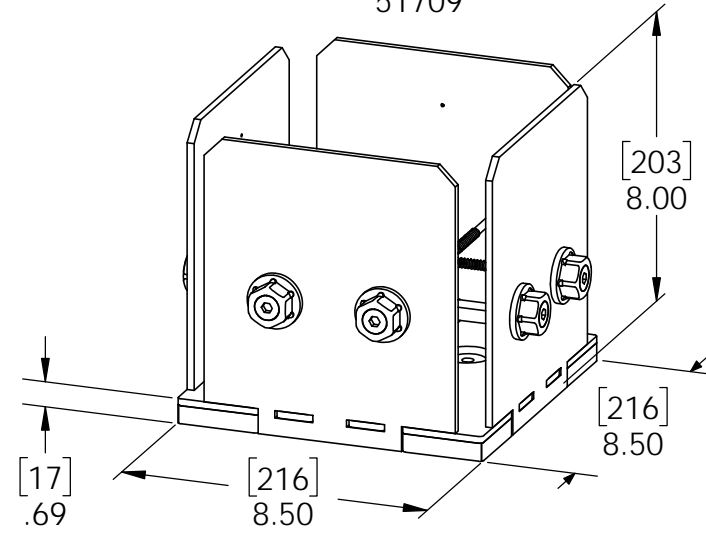
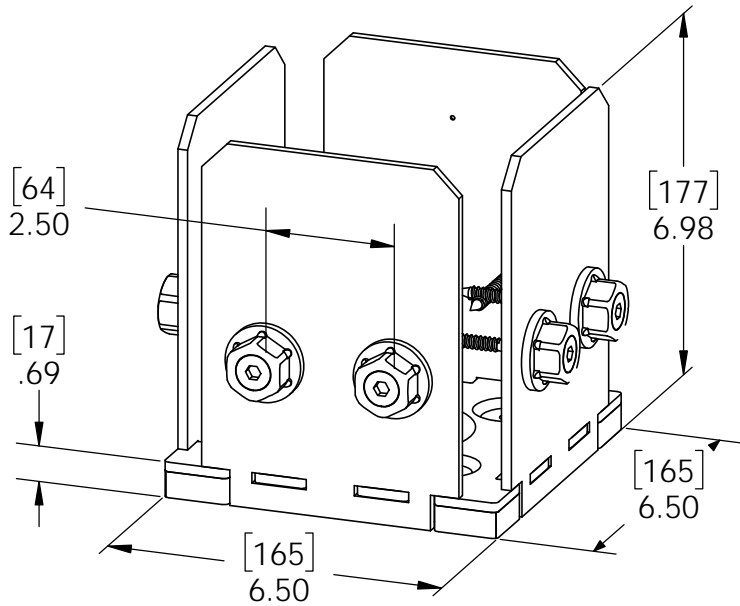
## Overview-Ironwood



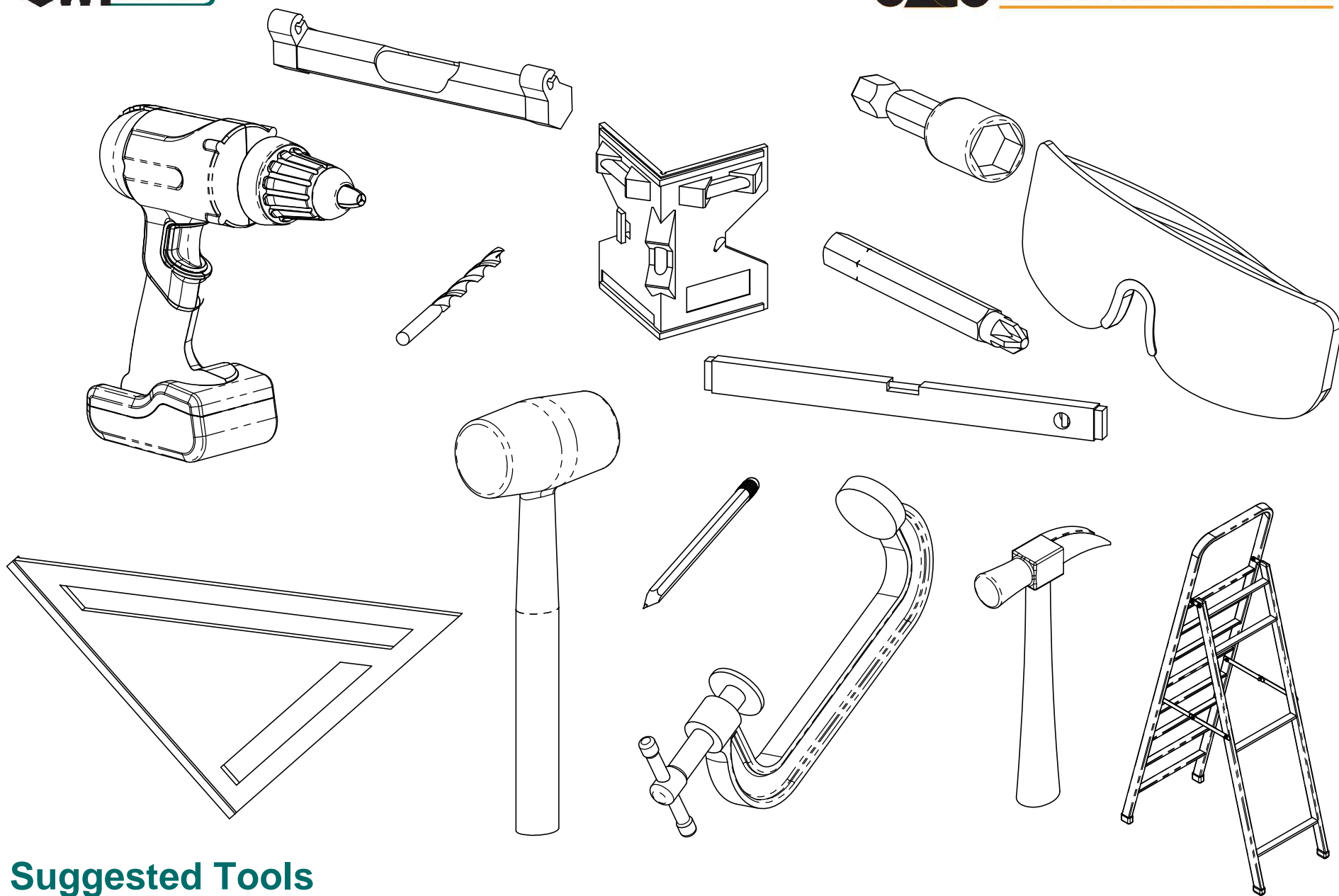
6x6 Post Base (6x6-PB-IW)  
51708



8x8 Post Base (8x8-PB-IW)  
51709



## Overview-Ironwood



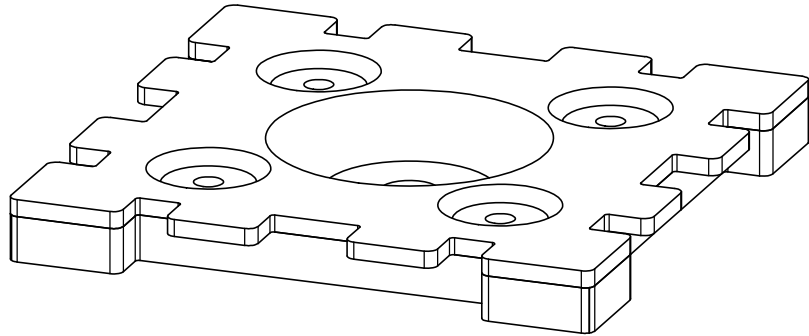
## Suggested Tools

(others may be required)

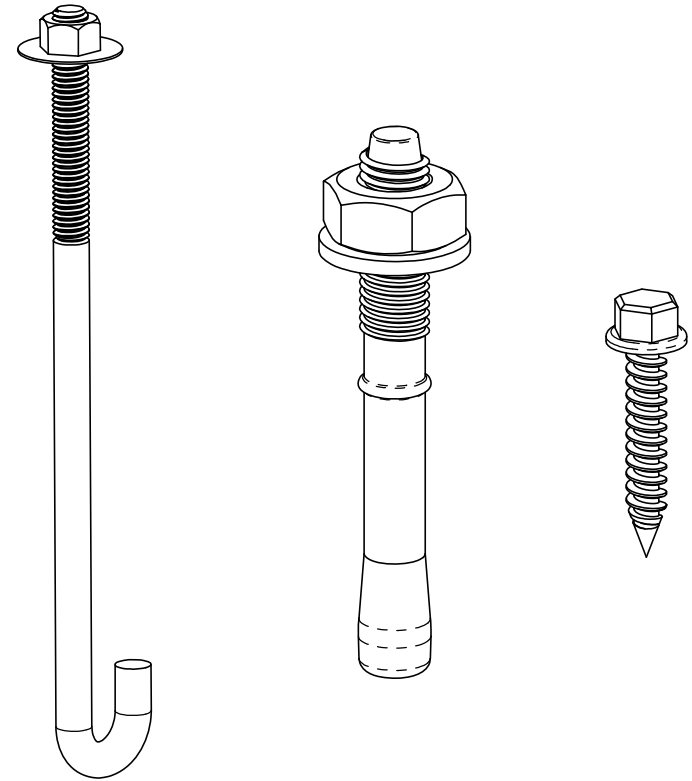
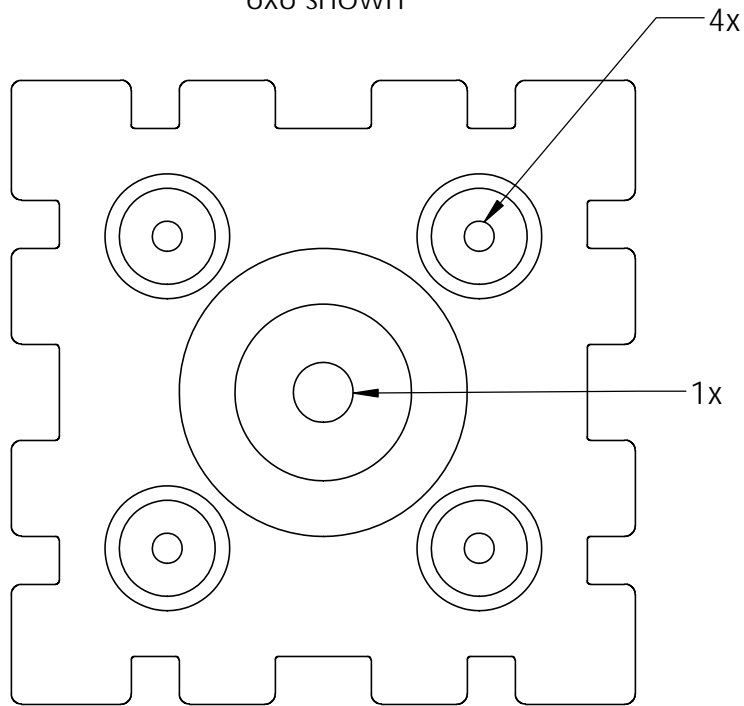
Installation Instructions, Post Base



mount base to surface



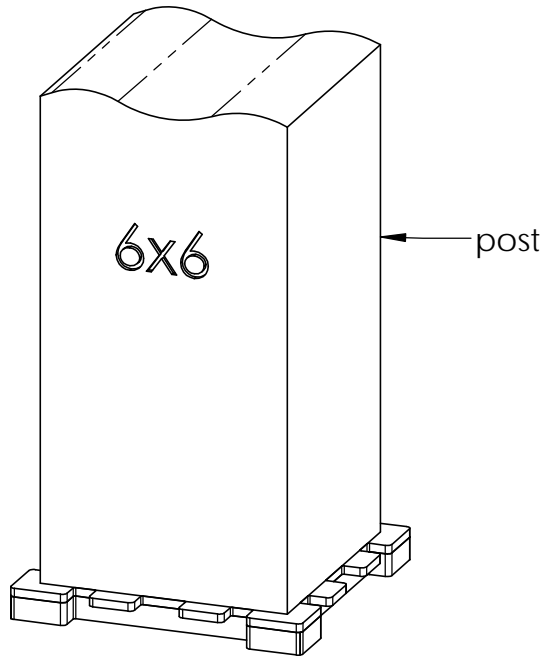
6x6 shown



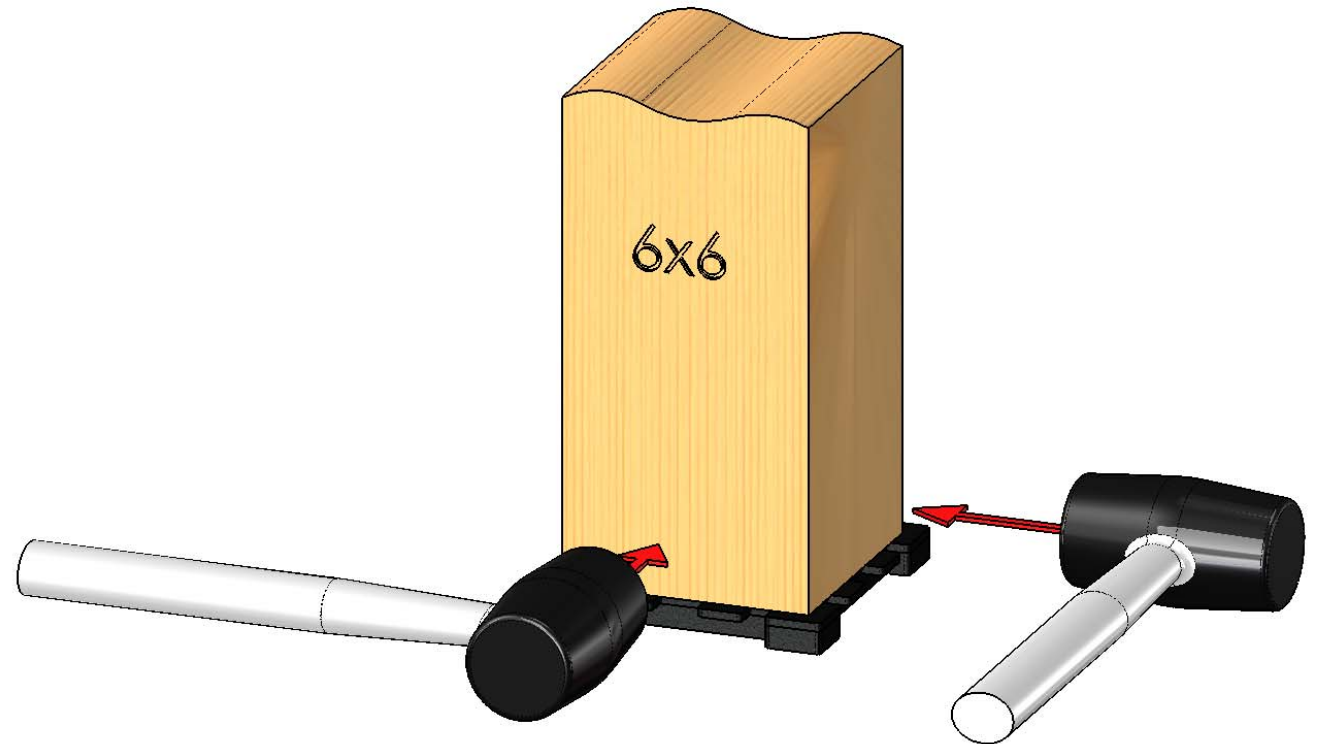
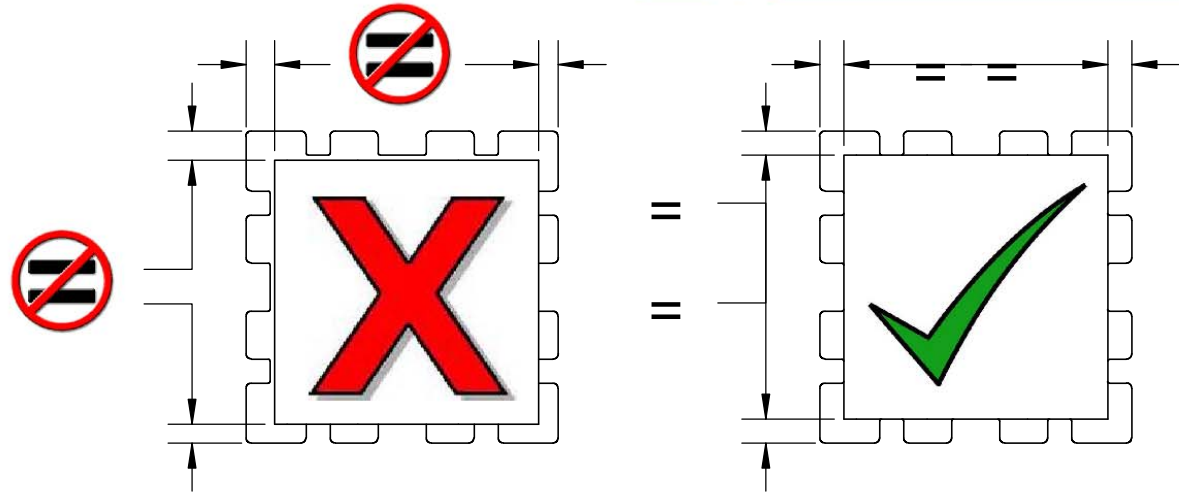
choose fastener that suits your application

# step 1

Installation Instructions, Post Base

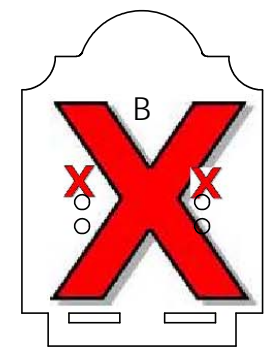
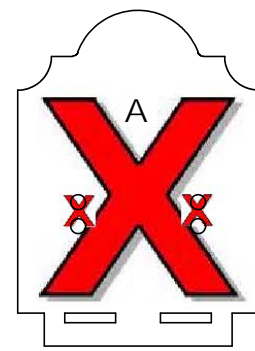
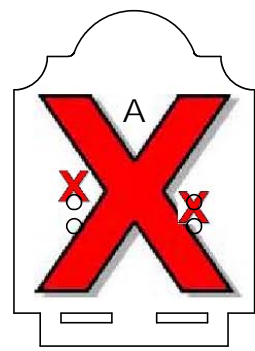
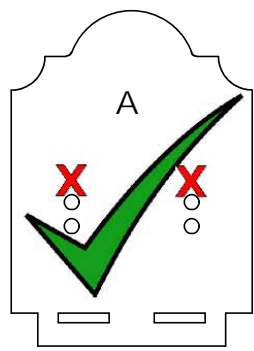
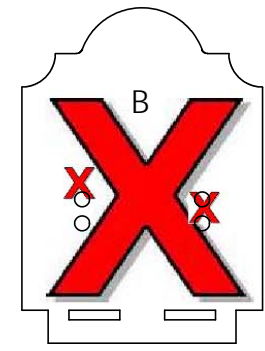
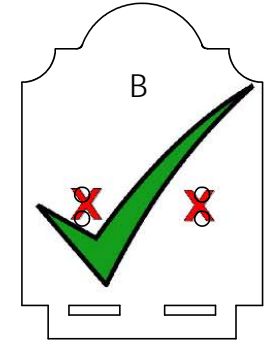
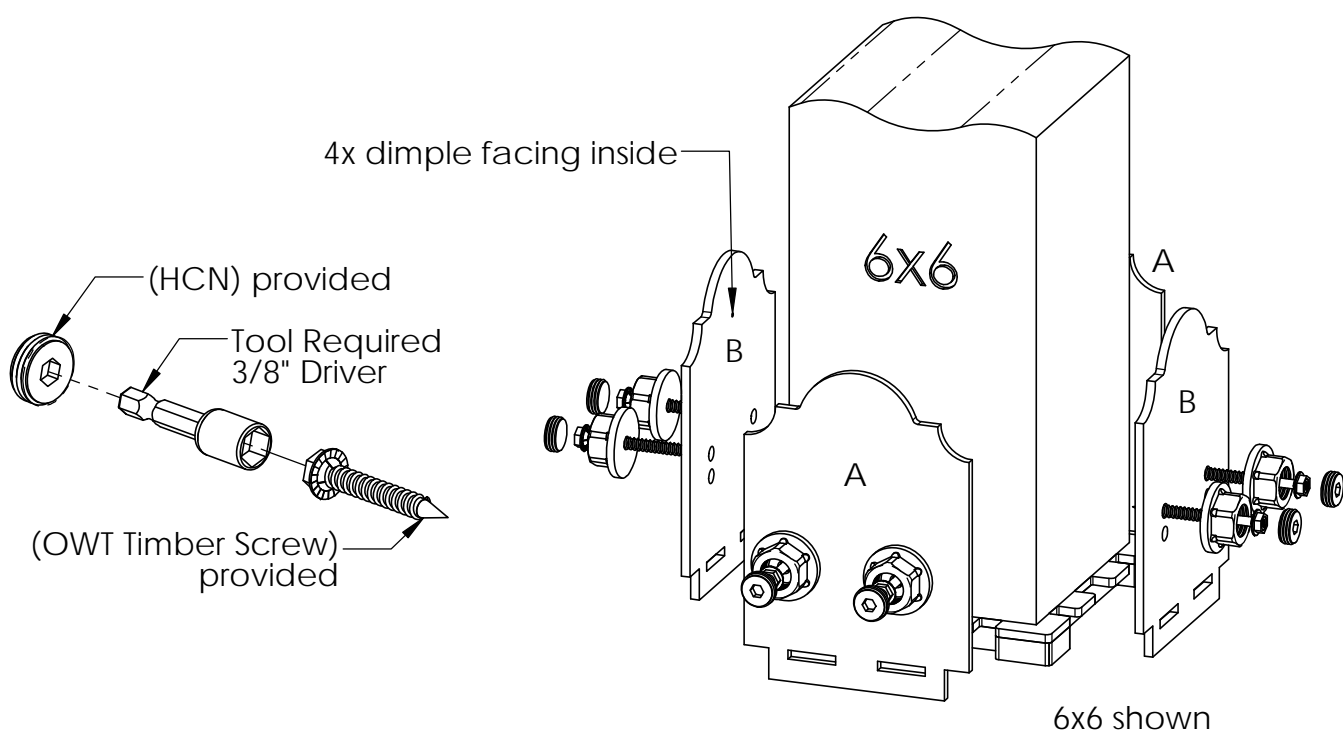


6x6 shown



## step 2

### Installation Instructions, Post Base

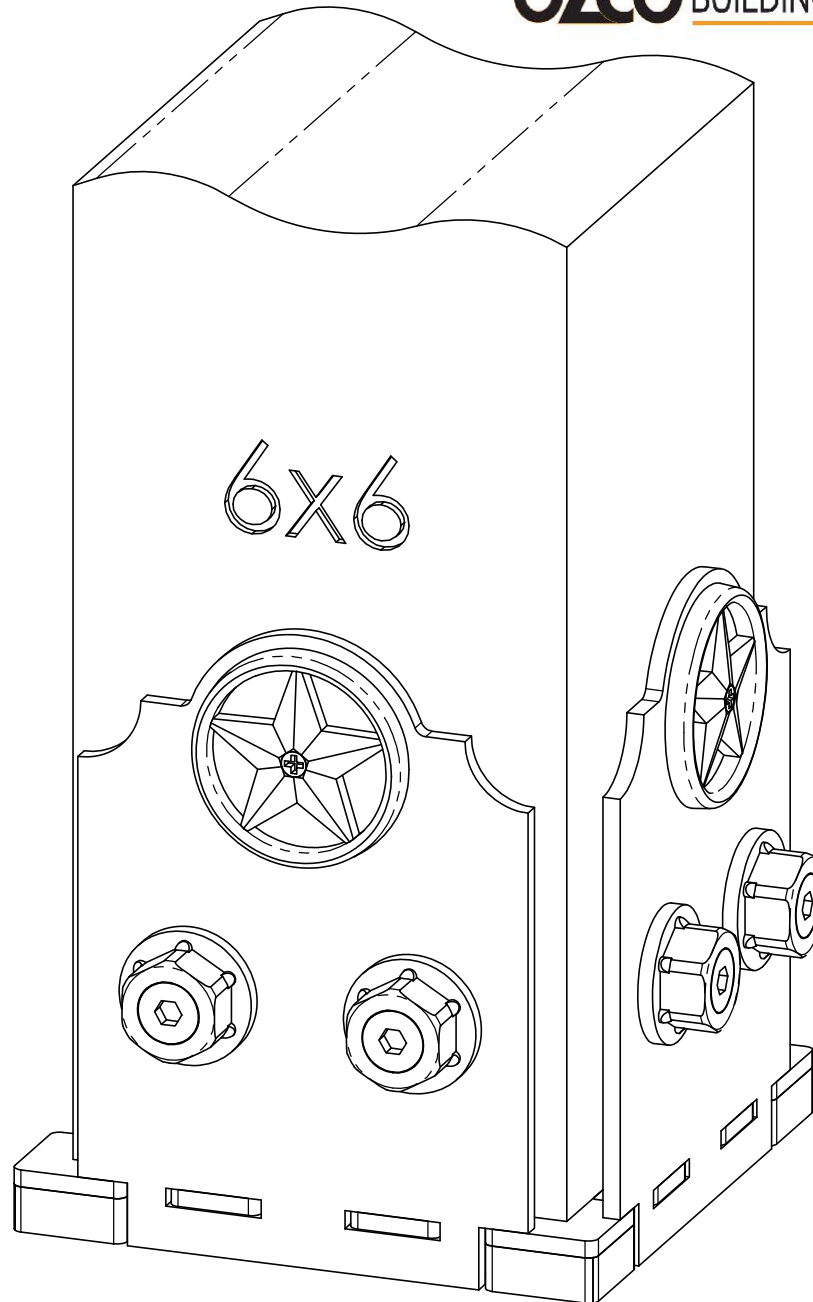
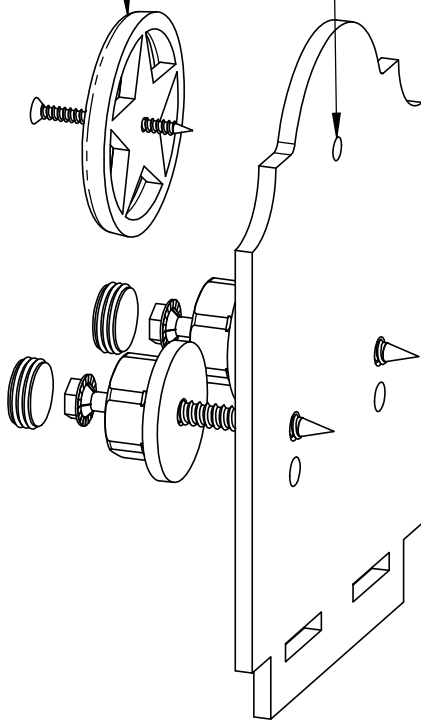


### step 3

Installation Instructions, Post Base

drill out dimple per 56623  
installation instructions

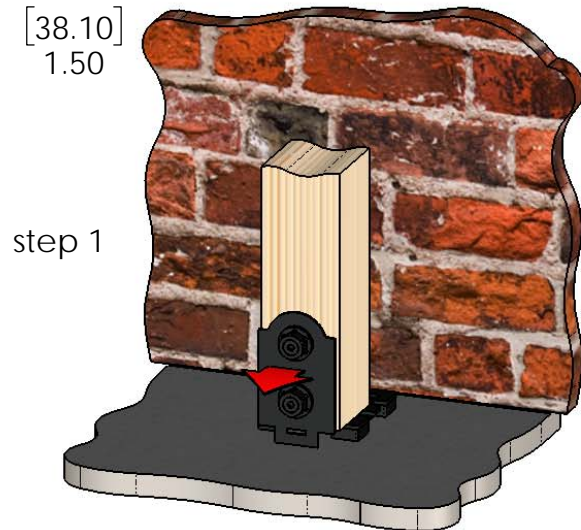
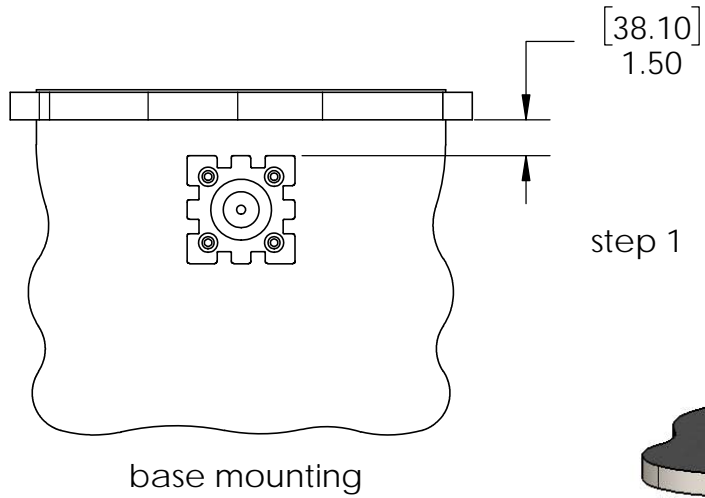
56623 option  
(sold separately)



## optional accessory

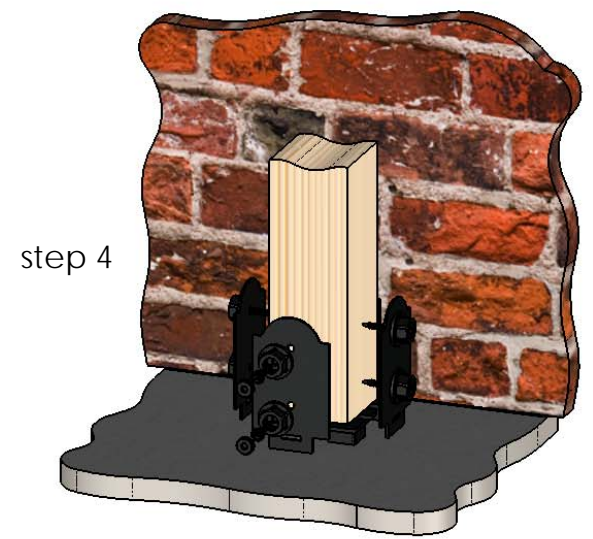
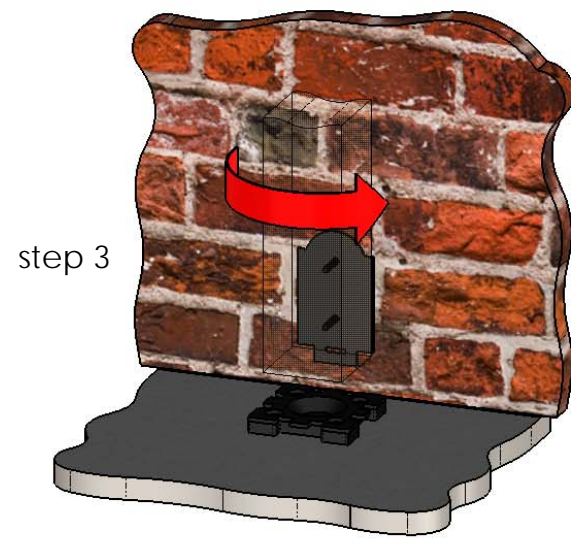
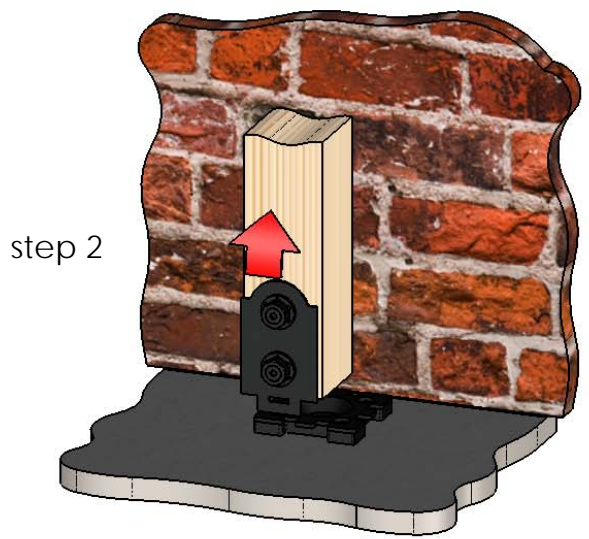
Installation Instructions, Post Base

6x6 shown



- additional instructions
- center post as shown in previous steps
  - install 1 compression plate with fasteners
  - remove, reposition & reinstall post/compression plate as shown with **plate facing wall**
  - complete assembly as shown

this procedure applies to all OZCO Post Bases & Post Anchors utilizing compression plates (56607 shown)



## Special Instructions-mounting next to wall

4x4 shown