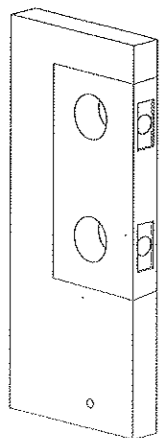


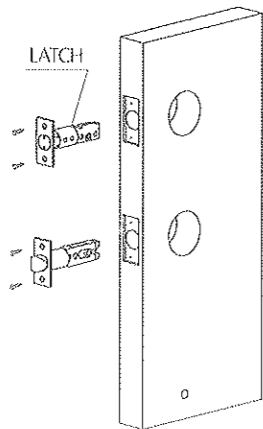
HOW TO INSTALL THIS SINGLE OR DOUBLE CYLINDER ENTRANCE HANDLE LOCKSET

1 MARK DOOR & BORE HOLES



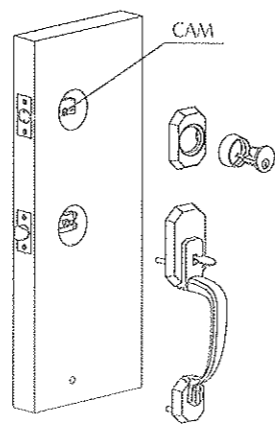
- Fold template over edge of door, mark site 60mm(2 3/8") or 70mm(2 3/4") of holes.
- Bore a $\varnothing 54\text{mm}(2 1/8")$ a $\varnothing 41\text{mm}(1 5/8")$ two $\varnothing 25\text{mm}(1")$ and a $\varnothing 8\text{mm}(5/16")$ holes through door.
- Cut two $58 \times 26 \times 3\text{mm}(2 9/32" \times 1" \times 1/8")$ base.

2 INSTALL LATCH



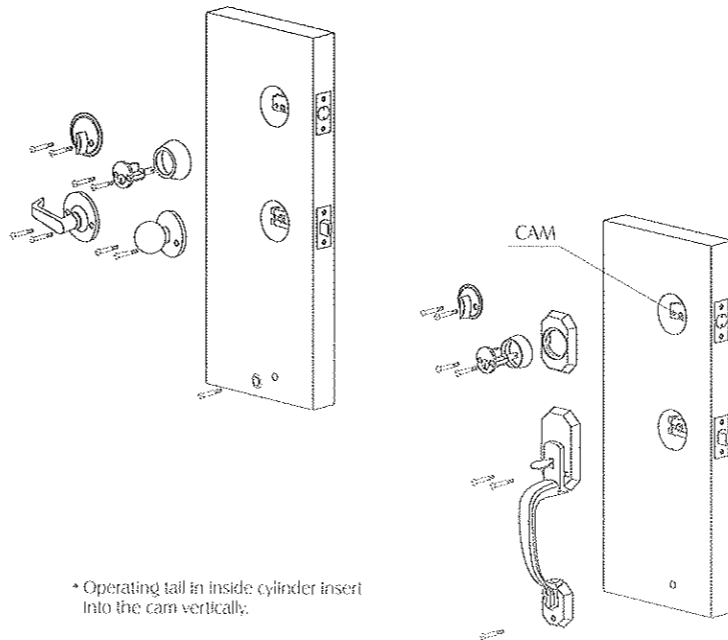
- Adjustable latch of 60mm(2 3/8") or 70mm(2 3/4") backset.
- Push the deadbolt inward keeping the arrow sight in deadbolt always upward.

3 INSTALL OUTSIDE HANDLE



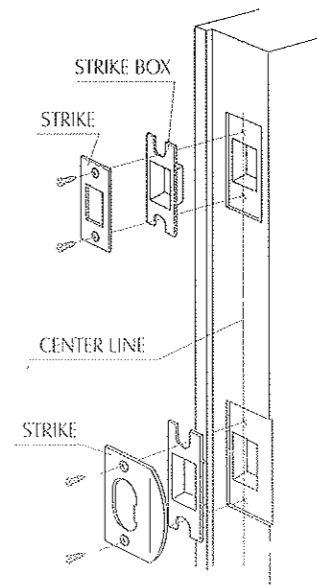
- Operating tail in outside cylinder insert into the cam horizontally.

4 INSTALL INSIDE HANDLE (INSIDE KNOB/LEVER)



- Operating tail in inside cylinder insert into the cam vertically.

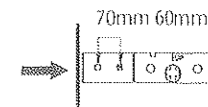
5 INSTALL STRIKE



INSTRUCTION FOR ADJUSTABLE LATCH



The cam is pushed fully to the right for 70mm(2 3/4") backset. (During the adjustment, keeping two teeth of the cam to forward always.)



Press the end of deadbolt, turn the latch cover pull or push, make backset become 70mm(2 3/4") or 60mm(2 3/8").