



STEEL MODULAR GEARBOX CABINET

Assembly Instructions

ARMARIO MODULAR DE ACERO PARA HERRAMIENTAS

Instrucciones de ensamblaje

ARMOIRE À OUTILS MODULAIRE EN ACIER

Instructions d'assemblage

TABLE OF CONTENTS/ÍNDICE/TABLE DES MATIÈRES

CABINET/LOCKER SAFETY	1	SEGURIDAD DEL ARMARIO	7	SÉCURITÉ DE L'ARMOIRE.....	13
PARTS	2	PIEZAS	8	PIÈCES	14
ASSEMBLY INSTRUCTIONS.....	2	INSTRUCCIONES DE ENSAMBLAJE	8	INSTRUCTIONS D'ASSEMBLAGE	14
ACCESSORIES	5	ACCESORIOS.....	11	ACCESSOIRES.....	18
WARRANTY	6	GARANTÍA	12	GARANTIE	19

CABINET/LOCKER SAFETY

Your safety and the safety of others are very important.

We have provided many important safety messages in this manual and on your appliance. Always read and obey all safety messages.



This is the safety alert symbol.

This symbol alerts you to potential hazards that can kill or hurt you and others.

All safety messages will follow the safety alert symbol and either the word "DANGER" or "WARNING."

These words mean:

⚠ DANGER

You can be killed or seriously injured if you don't immediately follow instructions.

⚠ WARNING

You can be killed or seriously injured if you don't follow instructions.

All safety messages will tell you what the potential hazard is, tell you how to reduce the chance of injury, and tell you what can happen if the instructions are not followed.

IT'S TIME TO RETHINK THE GARAGE.®
ES TIEMPO DE VOLVER A PENSAR EN EL GARAGE.™
LE GARAGE REPENSÉ.™

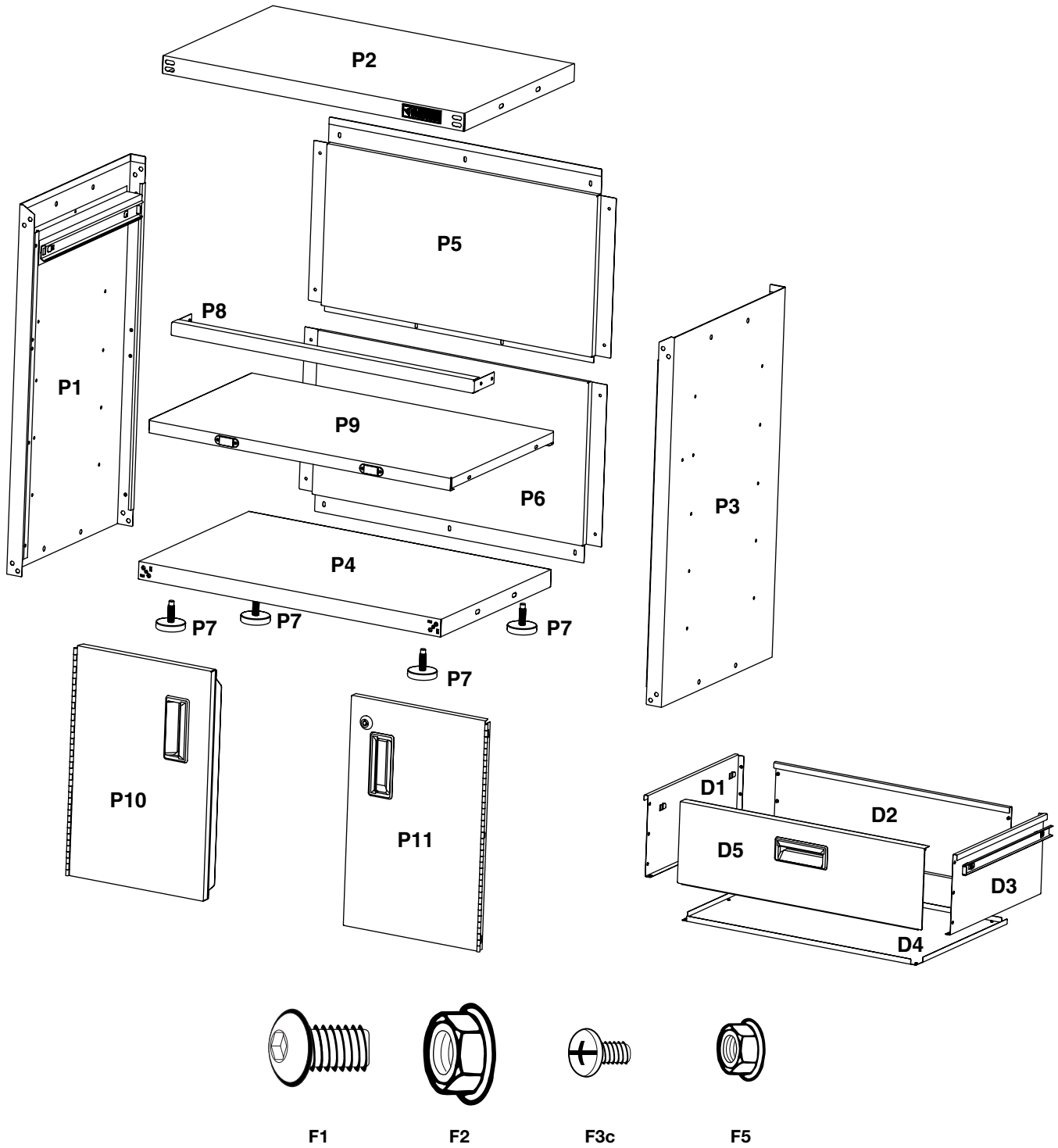
2254086D

In U.S.A. call: 1-866-342-4089
En EE.UU. llame al: 1-866-342-4089
Aux É.-U. téléphoner au 1-866-342-4089

In Canada call: 1-800-807-6777
En Canadá llame al: 1-800-807-6777
Au Canada téléphoner au 1-800-807-6777

www.GladiatorGW.com
www.gladiatorgarageworks.ca

PARTS



ASSEMBLY INSTRUCTIONS

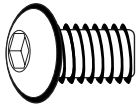
Cabinet Use Requirements

- Intended for use in a garage.
- Maximum weight limit is 45 lbs (20 kg) for the shelf.
- Maximum weight limit is 30 lbs (13 kg) for the drawer.
- Maximum weight limit is 300 lbs (136 kg) for the cabinet.

Unpack Cabinet Parts

1. Remove and verify the contents. Contents include a hex key, a key, and the parts and fasteners shown in "Parts."
2. Dispose of/recycle all packaging materials.

Assemble Cabinet



F1

F1 5/16" Hex-head bolt (24)



F2

F2 5/16" Flange nut (8)

Gather the required tools before starting installation.

Tools Needed:

- 1/2" Wrench
- 3/8" Wrench
- Phillips screwdriver
- Level

Tools Supplied:

- Hex key
- Key

⚠ WARNING

Excessive Weight Hazard

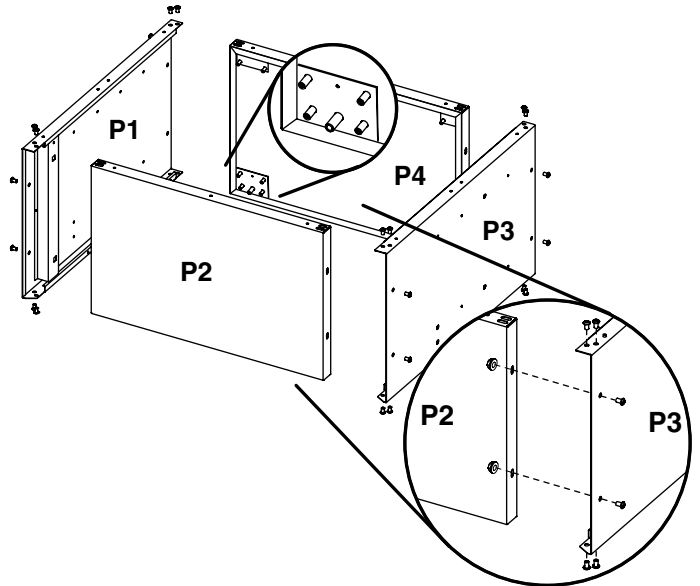
Use two or more people to move, assemble or install cabinet.

Failure to do so can result in back or other injury.

IMPORTANT:

- Two people may be required to complete the assembly.
 - As you assemble the cabinet, make sure the edges with the holes are facing up.
 - If you are assembling the cabinet on the floor, fasten the eight front corner bolts, two at each corner, after you stand the cabinet upright.
1. Place side panel (P1) on a flat, firm surface so that the edge with the holes is facing up as shown.
 2. Insert the cabinet top (P2) between the edges of side panel (P1).
NOTE: Make sure the edges with the holes are facing up.
 3. Align the holes and attach the top (P2) to side panel (P1) using six hex-head bolts (F1) and two 5/16" flange nuts (F2) as shown. Do not tighten completely.
 4. Position side panel (P3) so that the top (P2) is between the edges of side panel (P3).
 5. Align the holes and attach the top (P2) to the side (P3) using six hex-head bolts (F1) and two 5/16" flange nuts (F2) as shown. Do not tighten completely.
 6. Insert cabinet bottom (P4) between the edges of side panels (P1 and P3).
NOTE: Make sure the edges with the holes are facing up and that the threaded posts are standing up on the inside of the unit as shown.

7. Align the holes and attach the bottom (P4) to the side panels (P1 and P3) using six hex-head bolts (F1) and two 5/16" flange nuts (F2) for each side as shown. Do not tighten completely.



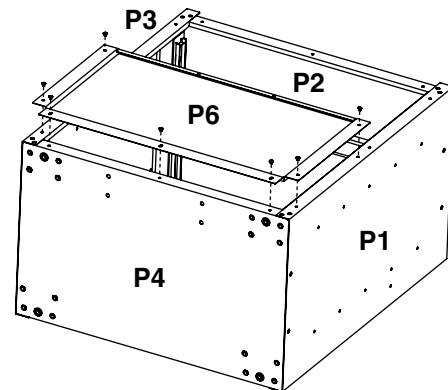
Attach Lower Back Panel



F3c

F3c Phillips-head screw (7 - black)

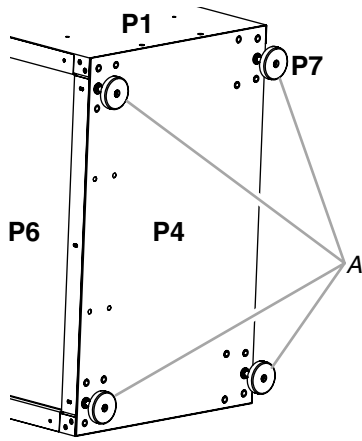
1. Using seven Phillips-head screws (F3c), attach the lower back panel (P6) to the bottom (P4) and sides (P1 and P3) as shown. Tighten screws completely.
2. Using the hex key (provided), completely tighten all the cabinet bolts and nuts.



Install Leveling Legs

The Gladiator® Modular GearBox is designed to be either stationary or to roll on casters. To order the Gladiator® Steel Modular GearBox Caster Kit, see "Accessories."

1. Place the cabinet on its side.
2. Screw a leveling leg (P7) into each of the four rivet nuts located at the corners of the cabinet as shown.



A. Leveling legs

- Stand the cabinet upright.
- If you have not already, fasten the two bolts at each front corner, of the cabinet frame. Completely tighten all the cabinet bolts and nuts.

Assemble Drawer

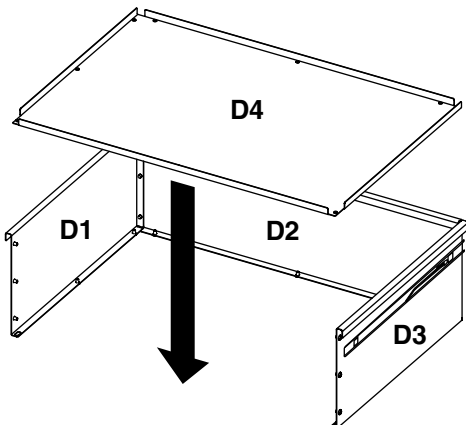


F3c

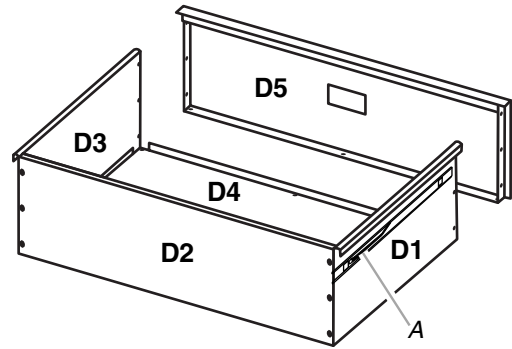
F3c Phillips-head screw (22 - black)

IMPORTANT:

- Position the drawer sides so that the glides are at the top and facing the outside.
 - Do not fully tighten the six screws attaching the drawer back to the sides.
- Using three Phillips-head screws (F3c), attach the side (D1) to the back (D2) as shown.
NOTE: Working from the back, insert the screws through the drawer back and then into the drawer side.
 - Using three Phillips-head screws (F3c), attach side (D3) to the back (D2) as shown.
NOTE: Working from the back, insert the screws through the drawer back and then into the drawer side.
 - Working from the top, set the drawer bottom (D4) down onto the back and side flanges as shown.
 - Working from the bottom, insert screws through the drawer back and sides and then into the drawer bottom.
NOTE: Wait until the drawer front is in place before inserting the screws that attach the drawer bottom to the front.



- Using nine Phillips-head screws (F3c), attach the drawer front (D5) to the bottom and sides.

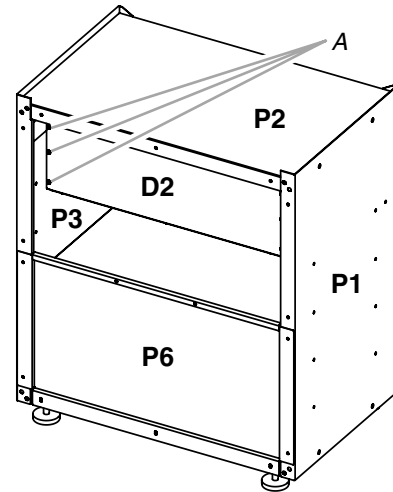


A. Drawer glide lever

- Before you insert the drawer into the cabinet, make sure the bearing carriages on the cabinet slides are at the front of the cabinet.
- Align the drawer glides with the slides on the inside of the cabinet. Insert the drawer glides into the slides and push the drawer into the cabinet.

NOTE: If the drawer glide is not correctly aligned with the cabinet slide, the drawer may become lodged in the cabinet. Facing the cabinet, press down on the lever located on the right-hand drawer glide while pressing up on the lever located on the left-hand drawer glide to release the drawer.

- Once the drawer is in place, work from the rear of the cabinet to completely tighten the six screws attaching the drawer back.



A. Tighten drawer screws.

Attach Upper Back Panel

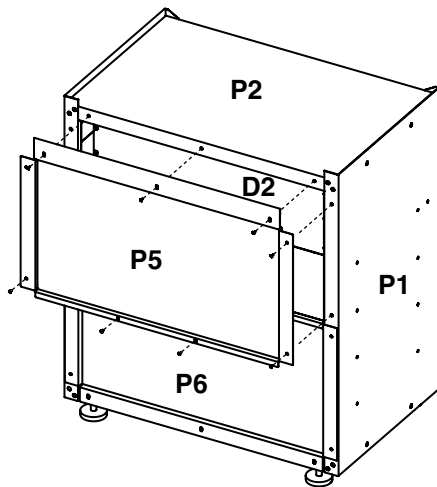


F3c

F3c Phillips-head screw (9 - black)

- Align back panel (P5) with the holes in the top (P2). Using seven Phillips-head screws (F3c), attach back panel (P5) to the top (P2) and sides (P1 and P3) as shown. Do not tighten screws completely.
NOTE: Back panel (P5) will slightly overlap back panel (P6)
- Using two Phillips-head screws (F3c), attach the upper back panel (P5) to the lower back panel (P6) as shown.

3. Completely tighten all back panel screws starting with the sides and continuing with the top, middle, and bottom.



Install Door Latch Bar

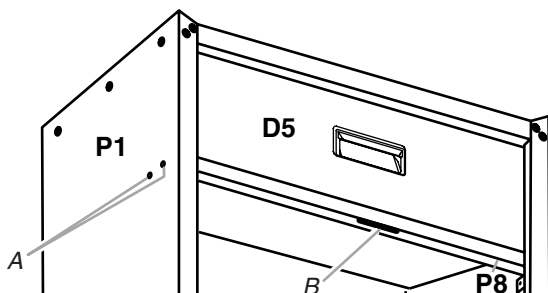


F3c

F3c Phillips-head screw (4 - black)

IMPORTANT: So the doors will close and lock, the latch bar (P8) must be installed using the indicated pair of holes on each cabinet side.

1. Align the latch bar with the pair of holes shown.
NOTE: Make sure the slot in the latch bar is facing down.
2. Using two Phillips-head screws (F3c) per side, fasten the latch bar (P8) to the cabinet sides (P1 and P3).



A. Holes for installing latch bar
B. Slot in latch bar

Install Shelf



F3c



F5

F3c Phillips-head screw (4 - black) F5 Small flange nut (4)

IMPORTANT: The shelf may be installed using any of the lower sets of holes in the cabinet sides.

1. Place the shelf (P9) in the cabinet so that the long edge with the door magnets is facing out.
2. Align the holes in the shelf ends with the desired set of holes in the cabinet sides (P1 and P3).
3. Using two Phillips-head screws (F3c) and two small flange nuts (F5) per side, fasten the shelf to the cabinet sides (P1 and P3).

Install Doors

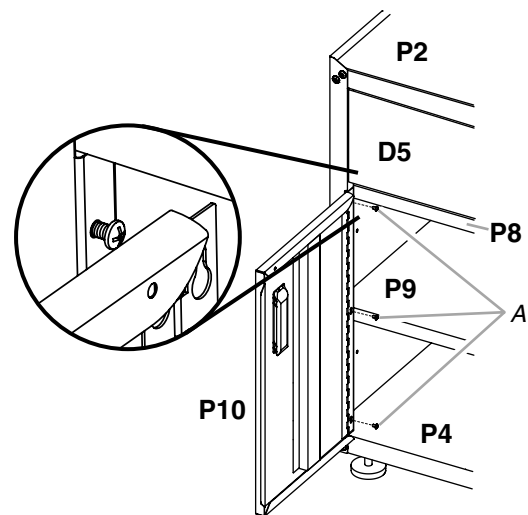


F3c

F3c Phillips-head screw (6 - black)

IMPORTANT:

- The door with the lock assembly (P11) should be installed on the right-hand side of the cabinet.
 - The door hinges are designed with keyhole slots at the top and bottom so the door will hang on the cabinet while you are fastening the screws.
1. Start Phillips-head screws (F3c) in both the top and bottom holes on each side of the cabinet.
 2. Hang the left-hand side door (P10) from the top and bottom screws, and hand tighten.
 3. Insert the middle two screws through the door hinge into the cabinet and hand tighten.



4. Repeat steps 2 and 3 to attach the right-hand door (P11).
5. Align the doors and completely tighten the screws.

Complete the Assembly

1. Make sure there is a bolt or screw in each hole of the cabinet frame.
2. Move the cabinet to its final location.
3. Place a level on the inside shelf, and if necessary, level the cabinet by adjusting the height of the leveling legs (P7). Turn to the left to raise or to the right to lower the leveling leg.
4. If the doors are not aligned, loosen all the screws attaching the door hinge to the cabinet.
5. Adjust door to the desired height, and fully tighten the screws.

ACCESSORIES

To order accessories, call 1-866-342-4089 and ask for the accessory part number listed below or contact your authorized Gladiator® brand dealer. In Canada, call 1-800-807-6777.

Caster Kit

Order Part # GACK04KDSX

VersaTop™ Work Surface

Order Part # GAVT18SPSX

Modular Bamboo Top

Order Part # GAAC28BAYX

GLADIATOR® GARAGEWORKS STEEL MODULAR GEARBOX CABINET WARRANTY

TEN YEAR LIMITED WARRANTY - (GEARBOX ONLY - LABOR NOT INCLUDED)

For ten years from the original date of purchase, when the Steel Modular GearBox Cabinet is installed, used and maintained according to the instructions attached to or furnished with the product, Gladiator® GarageWorks will, at its sole option, provide factory specified replacement parts to correct defects in materials or workmanship that existed when the product was purchased or replace the product (excludes shipping or freight fees). If replaced, your product will be covered by the remaining ten-year limited warranty of the original unit.

YOUR SOLE AND EXCLUSIVE REMEDY UNDER THE LIMITED WARRANTY SHALL BE PRODUCT REPAIR OR REPLACEMENT AT OUR DISCRETION AS PROVIDED HEREIN. This limited warranty is valid in the United States and Canada and applies only when the product is used in the country in which it was purchased. This limited warranty is effective from the date of the original consumer purchase. Proof of original purchase date is required to obtain service or replacement under this limited warranty.

ITEMS EXCLUDED FROM WARRANTY

This limited warranty does not cover:

1. In-home service including, but not limited to, service calls to correct the installation of any Gladiator® GarageWorks products or to instruct you on how to use or install them.
2. Damage resulting from improper handling or shipping of products, or products damaged by accident, alteration, misuse, abuse, fire, flood, improper installation, acts of God, neglect, corrosion, modification or mishandling.
3. All travel, transportation, shipping or freight fees to deliver replacement products or to return defective products.
4. Factory specified replacement parts or product replacement when your product is used in other than normal, single-family household use, such as a commercial environment or handled in a manner contrary to published user or operator instructions and/or installation instructions.
5. Cosmetic damage including scratches, dings, dents or cracks that do not affect the structural or functional capability of the product.
6. Any labor costs during the limited warranty period.
7. Damage resulting from improper loading beyond the specified maximum weight capacity outlined in the assembly instructions provided with the product, including overloading of hooks, baskets, shelves, cabinets, and other Gladiator® GarageWorks accessories used with the product.
8. Surfaces damaged due to chemical interaction resulting in corrosion of paint or metal.
9. Replacement keys or locking mechanism.

The cost of repair or replacement under these excluded circumstances shall be borne by the customer.

DISCLAIMER OF IMPLIED WARRANTIES

IMPLIED WARRANTIES, INCLUDING ANY IMPLIED WARRANTY OF MERCHANTABILITY OR IMPLIED WARRANTY OF FITNESS FOR A PARTICULAR PURPOSE, ARE LIMITED TO ONE YEAR OR THE SHORTEST PERIOD ALLOWED BY LAW. Some states and provinces do not allow limitations on the duration of implied warranties of merchantability or fitness, so this limitation may not apply to you. This warranty gives you specific legal rights, and you also may have other rights that vary from state to state or province to province.

LIMITATION OF REMEDIES; EXCLUSION OF INCIDENTAL AND CONSEQUENTIAL DAMAGES

YOUR SOLE AND EXCLUSIVE REMEDY UNDER THIS LIMITED WARRANTY SHALL BE PRODUCT REPAIR AS PROVIDED HEREIN. GLADIATOR® GARAGEWORKS SHALL NOT BE LIABLE FOR INCIDENTAL OR CONSEQUENTIAL DAMAGES. Some states and provinces do not allow the exclusion or limitation of incidental or consequential damages, so these limitations and exclusions may not apply to you. This warranty gives you specific legal rights, and you also may have other rights that vary from state to state or province to province.

Outside the 50 United States and Canada, this warranty does not apply. Contact your authorized Gladiator® GarageWorks dealer to determine if another warranty applies.

If you need service, call the Gladiator® GarageWorks Customer eXperience Center, **1-866-342-4089** (toll-free), from anywhere in the U.S.A. In Canada, contact your Whirlpool Canada LP designated service company or call **1-800-807-6777**.

In the United States, Gladiator® GarageWorks means Whirlpool Corporation, Benton Harbor, Michigan 49022. In Canada, Gladiator® GarageWorks means Whirlpool Canada LP, Mississauga, ON L5N 3A7.

9/11

Keep this book and your sales slip together for future reference. You must provide proof of purchase or installation date for in-warranty service.

Write down the following information about your Steel Modular GearBox Cabinet to better help you obtain assistance or service if you ever need it. You will need to know your complete model number and serial number. You can find this information on the model and serial label located on the back of the product.

Dealer name _____
Address _____
Phone number _____
Model number _____
Serial number _____
Purchase date _____

SEGURIDAD DEL ARMARIO

Su seguridad y la seguridad de los demás es muy importante.

Hemos incluido muchos mensajes importantes de seguridad en este manual y en su electrodoméstico. Lea y obedezca siempre todos los mensajes de seguridad.



Este es el símbolo de advertencia de seguridad.

Este símbolo le llama la atención sobre peligros potenciales que pueden ocasionar la muerte o una lesión a usted y a los demás.

Todos los mensajes de seguridad irán a continuación del símbolo de advertencia de seguridad y de la palabra "PELIGRO" o "ADVERTENCIA". Estas palabras significan:

 **PELIGRO**

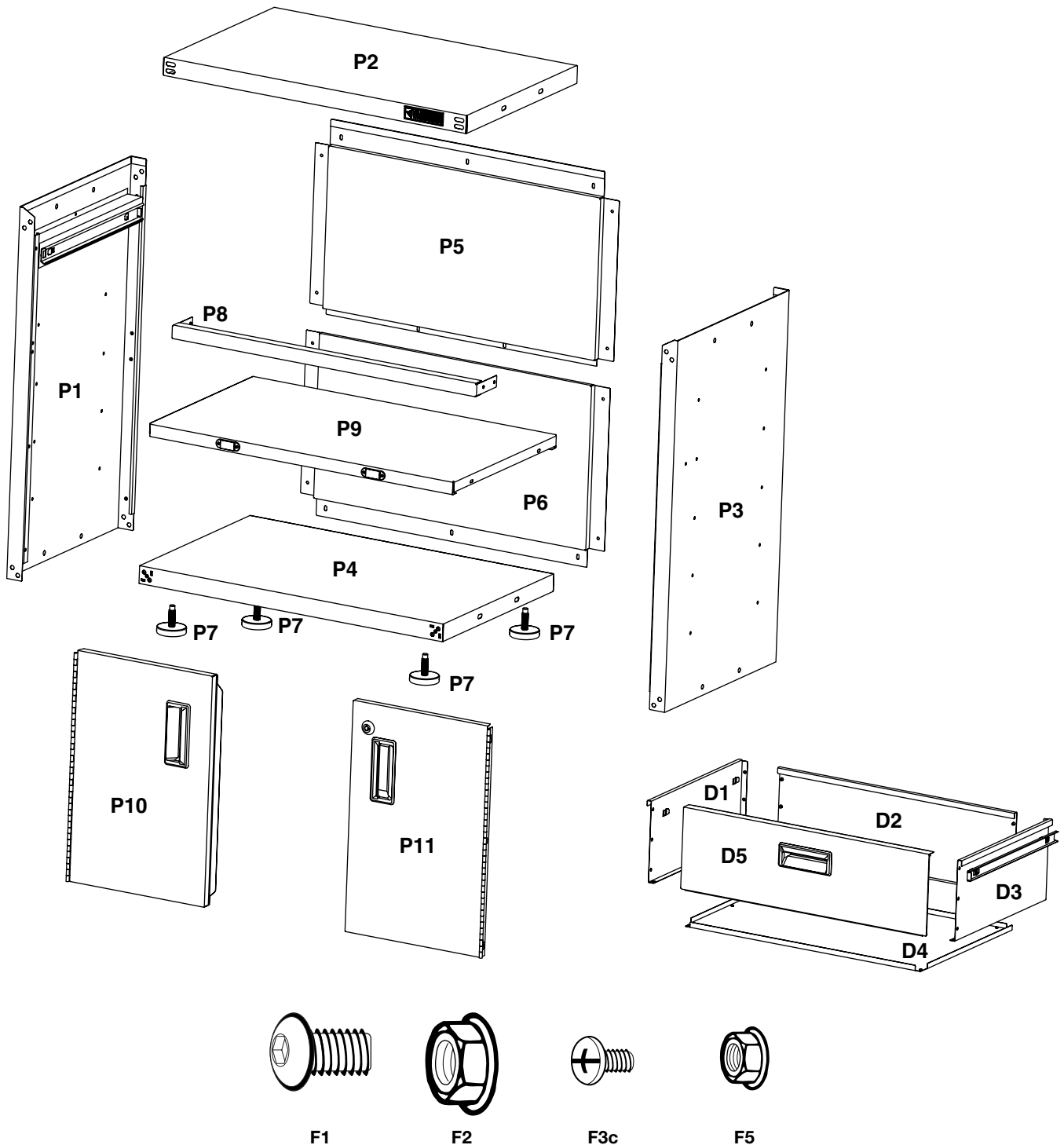
Si no sigue las instrucciones de inmediato, usted puede morir o sufrir una lesión grave.

 **ADVERTENCIA**

Si no sigue las instrucciones, usted puede morir o sufrir una lesión grave.

Todos los mensajes de seguridad le dirán el peligro potencial, le dirán cómo reducir las posibilidades de sufrir una lesión y lo que puede suceder si no se siguen las instrucciones.

PIEZAS



INSTRUCCIONES DE ENSAMBLAJE

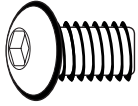
Requisitos de uso del armario

- Diseñado para usarse en un garage.
- El límite de peso máximo es de 45 lbs (20 kg) para el estante.
- El límite de peso máximo es de 30 lbs (13 kg) para el cajón.
- El límite de peso máximo es de 300 lbs (136 kg) para el armario.

Desempaque las piezas del armario

1. Quite y verifique el contenido. Se incluye una llave hexagonal en L, una llave y las piezas y sujetadores que se muestran en "Piezas".
2. Deshágase de todos los materiales de embalaje o reciclelos.

Ensamble el armario



F1

F1 Perno de cabeza hexagonal de $\frac{5}{16}$ " (24)



F2

F2 Tuerca de reborde de $\frac{5}{16}$ " (8)

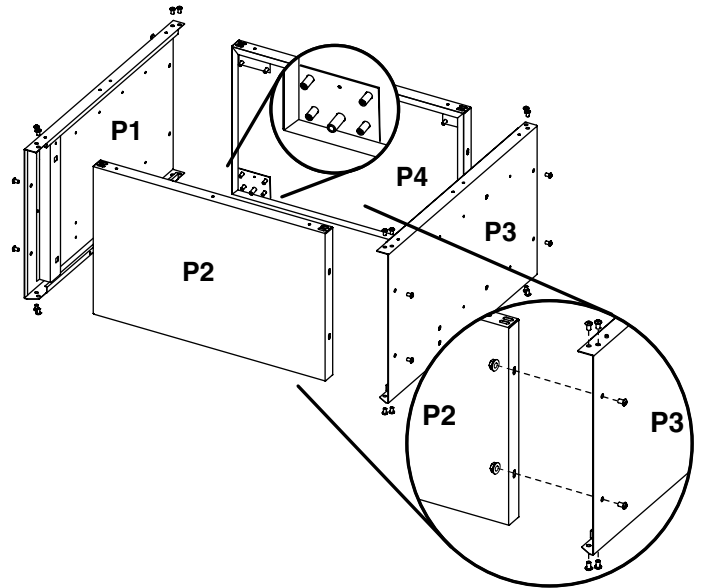
Reúna las herramientas necesarias antes de comenzar la instalación.

Herramientas necesarias:

- Llave de tuercas de $\frac{1}{2}$ "
- Destornillador Phillips
- Llave de tuercas de $\frac{3}{8}$ "
- Nivel

Herramientas suministradas:

- Llave hexagonal en L
- Llave



⚠ ADVERTENCIA

Peligro de Peso Excesivo

Use dos o más personas para mover, ensamblar o instalar el armario.

No seguir esta instrucción puede ocasionar una lesión en la espalda u otro tipo de lesiones.

IMPORTANTE:

- Tal vez se necesiten dos personas para completar el ensamblaje.
 - A medida que ensambla el armario, asegúrese de que los bordes con orificios estén mirando hacia arriba.
 - Si usted está ensamblando el armario sobre el piso, ajuste los ocho pernos frontales de la esquina, dos en cada esquina, después de poner el armario en posición vertical.
1. Coloque el panel lateral (P1) sobre una superficie plana y firme de manera que el extremo con orificios quede mirando hacia arriba, como se muestra.
 2. Inserte la parte superior del armario (P2) entre los extremos del panel lateral (P1).
NOTA: Asegúrese de que los bordes con orificios estén mirando hacia arriba.
 3. Alinee los orificios y sujete la parte superior (P2) al panel lateral (P1) usando seis pernos de cabeza hexagonal (F1) y dos tuercas de reborde de $\frac{5}{16}$ " (F2), como se muestra. No los apriete completamente.
 4. Coloque el panel lateral (P3) de manera que la parte superior (P2) quede entre los extremos del panel lateral (P3).
 5. Alinee los orificios y sujete la parte superior (P2) a la parte lateral (P3) usando seis pernos de cabeza hexagonal (F1) y dos tuercas de reborde de $\frac{5}{16}$ " (F2), como se muestra. No los apriete completamente.
 6. Inserte la parte inferior del armario (P4) entre los bordes de los paneles laterales (P1 y P3).
NOTA: Cerciórese de que los bordes con orificios estén mirando hacia arriba y que los postes con rosca estén verticales en el interior de la unidad, como se muestra.
 7. Alinee los orificios y fije la parte inferior (P4) a los paneles laterales (P1 y P3) usando seis pernos de cabeza hexagonal (F1) y dos tuercas de reborde de $\frac{5}{16}$ " (F2) para cada lado, como se muestra. No los apriete completamente.

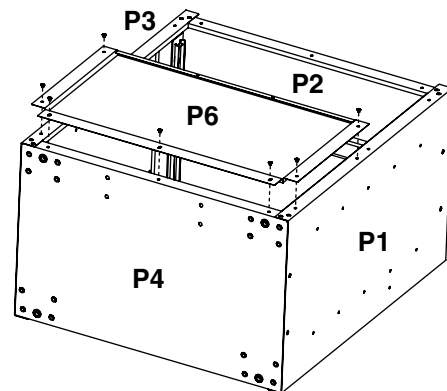
Sujete el panel posterior inferior



F3c

F3c Tornillo Phillips (7 - negro)

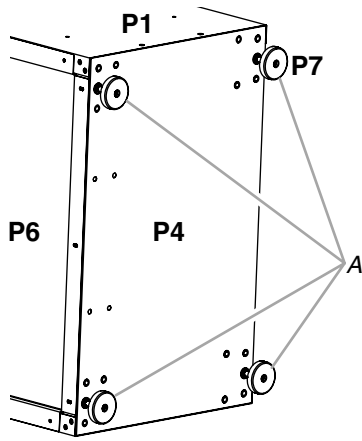
1. Sujete el panel posterior inferior (P6) a la parte inferior (P4) y a los lados (P1 y P3) usando siete tornillos Phillips (F3c), como se muestra. Apriete los tornillos por completo.
2. Apriete por completo todos los pernos y tuercas del armario con la llave hexagonal en L (provista).



Instalación de las patas niveladoras

El armario modular para herramientas Gladiator® ha sido diseñado para estar fijo o para rodar sobre ruedecillas. Para encargar el juego de ruedecillas para el armario modular de acero para herramientas Gladiator®, vea "Accesorios".

1. Coloque el armario de costado.
2. Atornille una pata niveladora (P7) en cada una de las cuatro tuercas con remache que están ubicadas en las esquinas del armario, como se muestra.



A. Patas niveladoras

3. Coloque el armario en posición vertical.
4. Si aún no lo ha hecho, asegure los dos pernos que están en cada esquina frontal del marco del armario. Apriete por completo todos los pernos y las tuercas del armario.

Ensamble el cajón



F3c

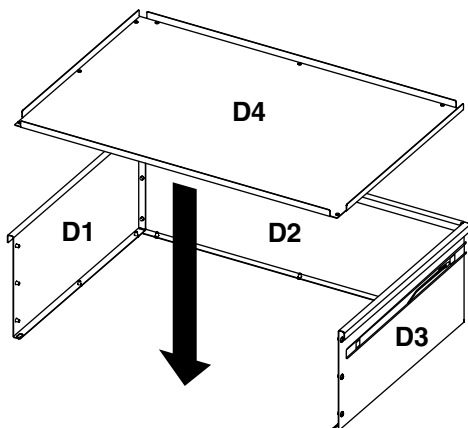
F3c Tornillo Phillips (22 - negro)

IMPORTANTE:

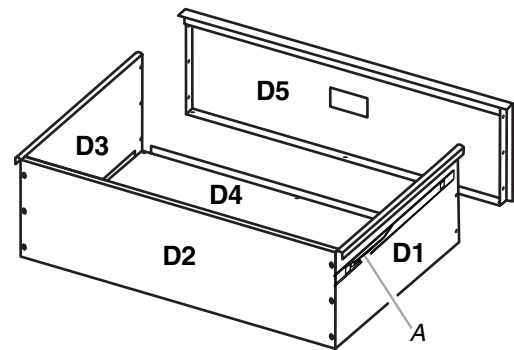
- Coloque los lados del cajón de manera que las guías estén en la parte superior, mirando hacia afuera.
- No apriete por completo los seis tornillos que fijan la parte posterior del cajón a los lados.

1. Fije el lado (D1) a la parte posterior (D2) usando tres tornillos Phillips (F3c), como se muestra.
NOTA: Trabajando desde la parte posterior, inserte los tornillos a través de la parte posterior del cajón y luego al costado del mismo.
2. Fije el lado (D3) a la parte posterior (D2) usando tres tornillos Phillips (F3c), como se muestra.
NOTA: Trabajando desde la parte posterior, inserte los tornillos a través de la parte posterior del cajón y luego al costado del mismo.
3. Trabajando desde la parte superior, fije la parte inferior del cajón (D4) sobre los rebordes posteriores y laterales, como se muestra.
4. Trabajando desde la parte inferior, inserte los tornillos a través de la parte posterior y los lados del cajón y luego en la parte inferior del mismo.

NOTA: Espere hasta que el frente del cajón esté en su lugar antes de insertar los tornillos que sujetan la parte inferior del cajón al frente del mismo.



5. Fije el frente del cajón (D5) a la parte inferior y a los lados usando nueve tornillos Phillips (F3c).

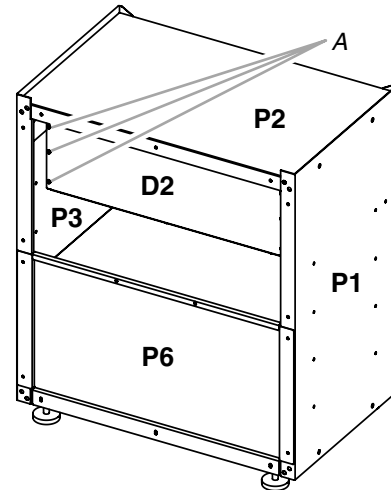


A. Palanca del riel del cajón

6. Antes de colocar el cajón en el armario, asegúrese de que las guías del rodamiento que van en las guías del armario estén al frente del mismo.
7. Alinee los rieles del cajón con las guías en la parte interior del armario. Inserte los rieles del cajón en las guías y empuje el cajón dentro del armario.

NOTA: Si el riel del cajón no está alineado correctamente con la guía del armario, es posible que el cajón se quede atrapado en el armario. De cara al armario, presione hacia abajo sobre la palanca ubicada en la guía derecha del cajón, mientras presiona hacia arriba sobre la palanca ubicada en la guía izquierda del cajón, para sacar el mismo.

8. Una vez que el cajón esté en su lugar, trabaje desde la parte posterior del armario para apretar completamente los seis tornillos que sujetan la parte posterior del cajón.



A. Apriete los tornillos del cajón.

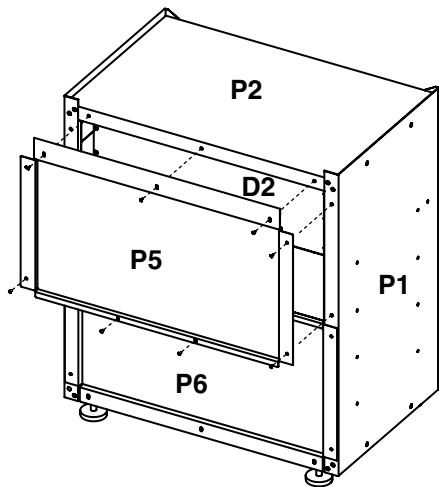
Sujete el panel posterior superior



F3c

F3c Tornillo Phillips (9 - negro)

1. Alinee el panel posterior (P5) con los orificios en la parte superior (P2). Sujete el panel posterior (P5) a la parte superior (P2) y los lados (P1 y P3) usando siete tornillos Phillips (F3c), como se muestra. No apriete completamente los tornillos.
NOTA: El panel posterior (P5) va a sobrepasar ligeramente el panel posterior (P6)
2. Sujete el panel posterior superior (P5) al panel posterior inferior (P6) usando dos tornillos Phillips (F3c), como se muestra.
3. Apriete por completo todos los tornillos del panel posterior, comenzando por los lados y siguiendo por la parte superior, del medio e inferior.



Instalación de la barra del pestillo de la puerta



F3c

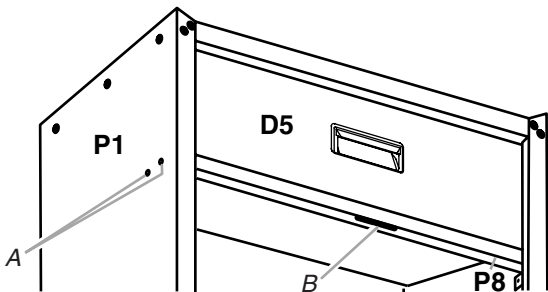
F3c Tornillo Phillips (4 - negro)

IMPORTANTE: Para que las puertas puedan cerrarse y trabarse, debe instalarse la barra del pestillo (P8) usando el par de orificios indicado en cada lado del armario.

1. Alinee la barra del pestillo con el par de orificios que se muestra.

NOTA: Asegúrese de que la ranura en la barra del pestillo esté mirando hacia abajo.

2. Ajuste la barra del pestillo (P8) a los lados del armario (P1 y P3) usando dos tornillos Phillips (F3c) a cada lado.



A. Orificios para instalar la barra del pestillo
B. Ranura en la barra del pestillo

Instalación del estante



F3c



F5

F3c Tornillo Phillips (4 - negro) F5 Tuerca de reborde pequeña (4)

IMPORTANTE: Puede instalarse el estante usando cualquiera de los conjuntos inferiores de orificios a los lados del armario.

1. Coloque el estante (P9) en el armario de modo que el borde largo con imanes de la puerta quede mirando hacia afuera.
2. Alinee los orificios en los extremos del estante con el juego deseado de orificios en los lados del armario (P1 y P3).
3. Fije el estante a los lados del armario (P1 y P3) usando dos tornillos Phillips (F3c) y dos tuercas de reborde pequeñas (F5) por cada lado.

Instalación de las puertas

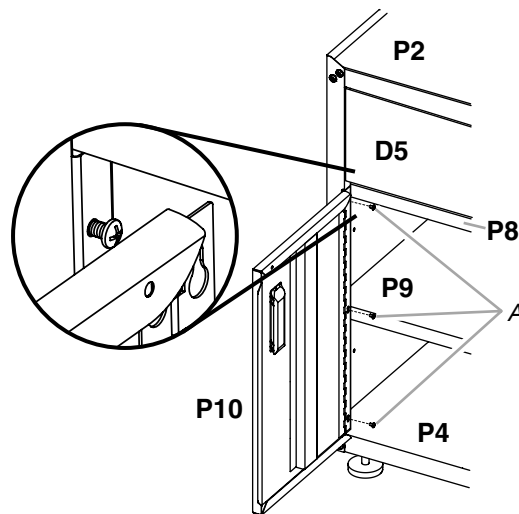


F3c

F3c Tornillo Phillips (6 - negro)

IMPORTANTE:

- La puerta que tiene el ensamblaje de traba (P11) deberá instalarse en el lado derecho del armario.
 - Las bisagras de la puerta se han diseñado con bocallaves en la parte superior e inferior, de modo que la puerta cuelga en el armario mientras usted coloca los tornillos.
1. Empiece colocando tornillos Phillips (F3c) en los orificios en la parte superior e inferior, en cada lado del armario.
 2. Cuelgue la puerta del lado izquierdo (P10) de los tornillos superiores e inferiores y apriételos a mano.
 3. Inserte los dos tornillos del medio en el armario, a través de la bisagra de la puerta, y apriételos a mano.



4. Repita los pasos 2 y 3 para fijar la puerta del lado derecho (P11).
5. Alinee las puertas y apriete los tornillos por completo.

Complete el ensamblaje

1. Asegúrese de que haya un perno o un tornillo en cada orificio del marco del armario.
2. Mueva el armario a su ubicación final.
3. Coloque un nivel en la parte interior del estante y, si es necesario, nivele el armario ajustando la altura de las patas niveladoras (P7). Gire hacia la izquierda para levantar la pata niveladora o hacia la derecha para bajarla.
4. Si las puertas no están alineadas, afloje todos los tornillos que sujetan la bisagra de la puerta al armario.
5. Ajuste la puerta a la altura deseada y apriete completamente los tornillos.

ACCESORIOS

Para pedir accesorios, llame al **1-866-342-4089** y solicite el número de pieza apropiado que se detalla a continuación o póngase en contacto con su distribuidor autorizado de Gladiator®. En Canadá, llame al **1-800-807-6777**.

Juego de ruedecillas

Pida la pieza número GACK04KDSX

Superficie de trabajo VersaTop™

Pida la pieza número GAVT18SPSX

Tapa modular de bambú

Pida la pieza número GAAC28BAYX

GARANTÍA DEL ARMARIO MODULAR DE ACERO PARA HERRAMIENTAS GLADIATOR® GARAGEWORKS

GARANTÍA LIMITADA DE DIEZ AÑOS (SÓLO PARA EL ARMARIO - NO SE INCLUYE LA MANO DE OBRA)

Durante diez años a partir de la fecha de compra original, siempre y cuando se le dé al armario modular de acero para herramientas se instale, use y sea mantenido de acuerdo con las instrucciones adjuntas o provistas con el producto, Gladiator® GarageWorks proporcionará, a su sola opción, las piezas de repuesto especificadas de fábrica para corregir defectos en los materiales o en la mano de obra, existentes en el momento de la compra del producto, o lo reemplazará (se excluyen los gastos de envío o flete). Si se reemplaza, el producto estará cubierto por el tiempo restante de la garantía limitada de diez años de la unidad original.

SU ÚNICO Y EXCLUSIVO RECURSO SEGÚN LOS TÉRMINOS DE LA GARANTÍA LIMITADA SERÁ EL DE REPARAR O REEMPLAZAR EL PRODUCTO A NUESTRA DISCRECIÓN, SEGÚN SE ESTIPULA EN LA PRESENTE. Esta garantía limitada es válida en los Estados Unidos y en Canadá, y se aplica solamente cuando el producto se use en el país en el que se ha comprado. Esta garantía limitada entrará en vigor a partir de la fecha de la compra del consumidor original. Se requiere una prueba de la fecha de compra original para obtener servicio o reemplazo bajo esta garantía limitada.

EXCLUSIONES DE LA GARANTÍA

Esta garantía limitada no cubre:

1. Servicio técnico a domicilio que incluye, sin limitación, visitas para corregir la instalación de cualquier producto de Gladiator® GarageWorks o para enseñarle a usarlo o instalarlo.
2. Daños causados por mal manejo o envío de productos, productos dañados por accidente, alteración, uso indebido, abuso, incendio, inundación, instalación incorrecta, actos fortuitos, negligencia, corrosión, modificación o maltrato.
3. Todos los gastos de transporte, envío o flete para entregar productos de reemplazo o para devolver productos defectuosos.
4. Piezas de repuesto especificadas de fábrica o reemplazo del producto cuando éste se use de un modo diferente al doméstico normal de una sola familia, como en un comercio, o se manipule de un modo contrario a las instrucciones publicadas para el usuario u operador y/o las instrucciones de instalación.
5. Daños estéticos incluyendo rayaduras, golpes, abolladuras o rajaduras que no afecten la capacidad estructural o de funcionamiento del producto.
6. Cualquier gasto de mano de obra durante el período de la garantía limitada.
7. Daños causados por la carga indebida que exceda del peso máximo especificado que se detalla en las instrucciones de ensamblaje provistas con el producto, incluyendo la sobrecarga de ganchos, canastas, estantes, armarios y otros accesorios de Gladiator® GarageWorks usados con este producto.
8. Superficies dañadas debido a la interacción química que dé como resultado la corrosión de pintura o de metal.
9. Mecanismo de traba o llaves de reemplazo.

El costo de la reparación o del reemplazo bajo estas circunstancias excluidas correrá por cuenta del cliente.

EXCLUSIÓN DE GARANTÍAS IMPLÍCITAS

LAS GARANTÍAS IMPLÍCITAS, INCLUYENDO CUALQUIER GARANTÍA IMPLÍCITA DE COMERCIABILIDAD O GARANTÍA IMPLÍCITA DE CAPACIDAD PARA UN PROPÓSITO PARTICULAR, SERÁN LIMITADAS A UN AÑO O AL PERÍODO MÁS CORTO PERMITIDO POR LEY. Algunos estados y provincias no permiten la limitación de la duración de las garantías implícitas de comerciabilidad o capacidad, de modo que la limitación arriba indicada quizás no le corresponda. Esta garantía le otorga derechos legales específicos, y es posible que usted tenga también otros derechos que varían de un estado a otro o de una provincia a otra.

LIMITACIÓN DE RECURSOS; EXCLUSIÓN DE DAÑOS INCIDENTALES Y CONSECUENTES

SU ÚNICO Y EXCLUSIVO RECURSO SEGÚN LOS TÉRMINOS DE ESTA GARANTÍA LIMITADA SERÁ EL DE REPARAR EL PRODUCTO SEGÚN SE ESTIPULA EN LA PRESENTE. GLADIATOR® GARAGEWORKS NO SE RESPONSABILIZARÁ POR DAÑOS INCIDENTALES O CONSECUENTES. Algunos estados y provincias no permiten la exclusión o limitación de daños incidentales o consecuentes, de modo que estas limitaciones y exclusiones quizás no le correspondan. Esta garantía le otorga derechos legales específicos, y es posible que usted tenga también otros derechos que varían de un estado a otro o de una provincia a otra.

Esta garantía no tiene vigor fuera de los cincuenta estados de Estados Unidos y Canadá. Póngase en contacto con el distribuidor autorizado de Gladiator® GarageWorks para determinar si corresponde otra garantía.

Si necesita servicio técnico, llame al Centro para la eXperiencia del cliente de Gladiator® GarageWorks al **1-866-342-4089** (gratuito) desde cualquier lugar de los EE.UU. En Canadá, póngase en contacto con su compañía designada de Whirlpool Canada LP o llame al **1-800-807-6777**.

En los EE. UU., Gladiator® GarageWorks significa Whirlpool Corporation, Benton Harbor, Michigan 49022. En Canadá, Gladiator® GarageWorks significa Whirlpool Canada LP, Mississauga, ON L5N 3A7.

10/11

Guarde este libro y su comprobante de compra juntos para referencia futura. Usted deberá proporcionar el comprobante de la compra o la fecha de instalación para obtener servicio bajo la garantía.

Escriba la siguiente información acerca del armario modular de acero para ayudarlo mejor a obtener asistencia o servicio técnico si alguna vez llegara a necesitarlo. Deberá tener a mano el número completo del modelo y de la serie. Usted puede encontrar esta información en la etiqueta con el número de modelo y de serie que está ubicada en la parte posterior del producto.

Nombre del distribuidor _____
Dirección _____
Número de teléfono _____
Número de modelo _____
Número de serie _____
Fecha de compra _____

SÉCURITÉ DE L'ARMOIRE

Votre sécurité et celle des autres est très importante.

Nous donnons de nombreux messages de sécurité importants dans ce manuel et sur votre appareil ménager. Assurez-vous de toujours lire tous les messages de sécurité et de vous y conformer.



Voici le symbole d'alerte de sécurité.

Ce symbole d'alerte de sécurité vous signale les dangers potentiels de décès et de blessures graves à vous et à d'autres.

Tous les messages de sécurité suivront le symbole d'alerte de sécurité et le mot "DANGER" ou "AVERTISSEMENT". Ces mots signifient :

 **DANGER**

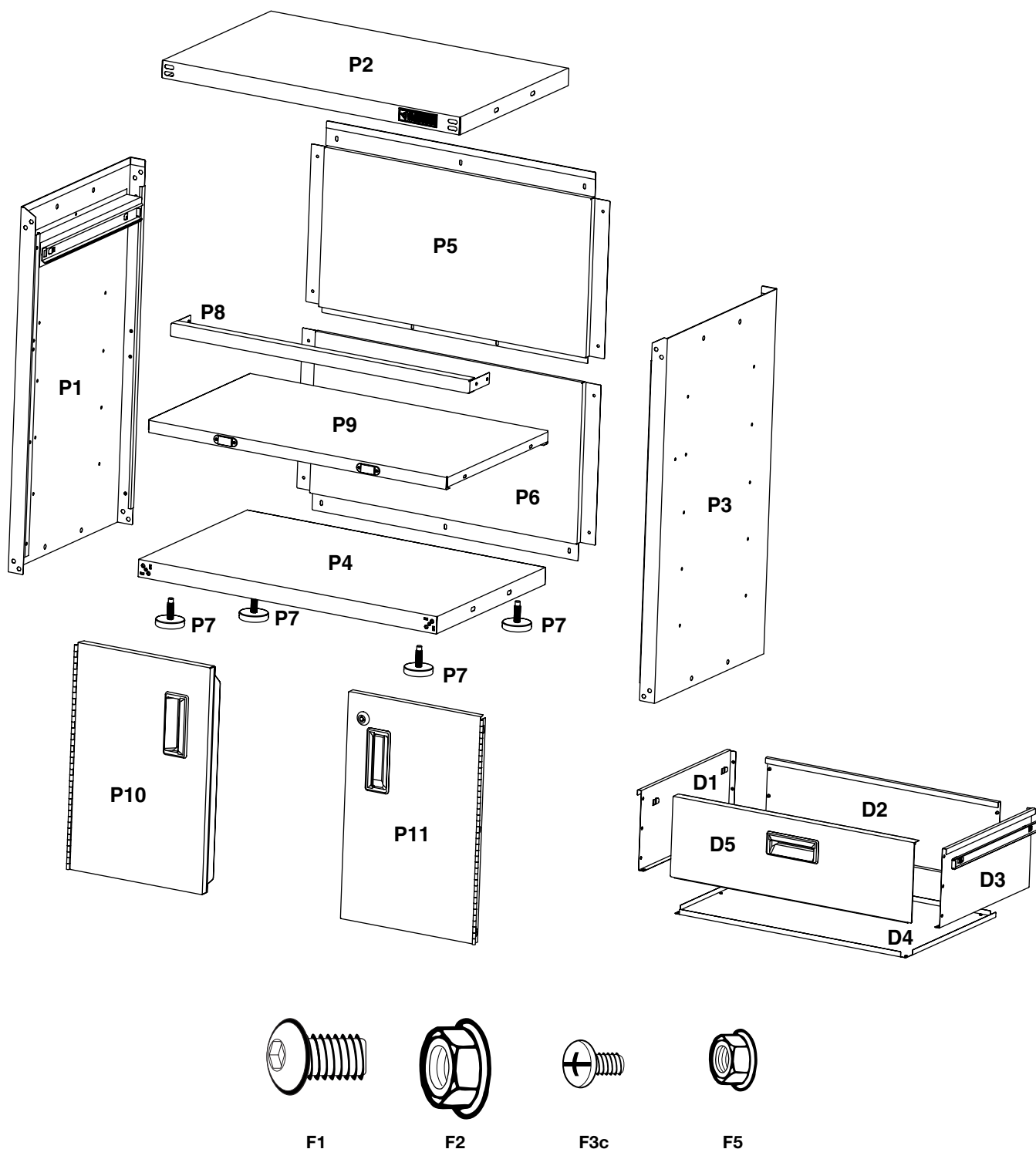
Risque possible de décès ou de blessure grave si vous ne suivez pas immédiatement les instructions.

 **AVERTISSEMENT**

Risque possible de décès ou de blessure grave si vous ne suivez pas les instructions.

Tous les messages de sécurité vous diront quel est le danger potentiel et vous disent comment réduire le risque de blessure et ce qui peut se produire en cas de non-respect des instructions.

PIÈCES



INSTRUCTIONS D'ASSEMBLAGE

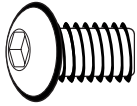
Spécifications d'utilisation de l'armoire

- Le produit est conçu pour l'utilisation dans un garage.
- Charge maximale de 45 lb (20 kg) pour l'étagère.
- Charge maximale de 30 lb (13 kg) pour le tiroir.
- Charge maximale de 300 lb (136 kg) pour l'armoire.

Déballage des composants de l'armoire

1. Retirer le contenu; vérifier la présence de tous les composants. Le contenu inclut une clé hexagonale, une clé de serrure, ainsi que toutes les pièces et attaches illustrées dans la section "Pièces".
2. Jeter/recycler tous les matériaux d'emballage.

Assemblage de l'armoire



F1

F1 Vis hexagonale de $\frac{5}{16}$ " (24)



F2

F2 Écrou à embase de $\frac{5}{16}$ " (8)

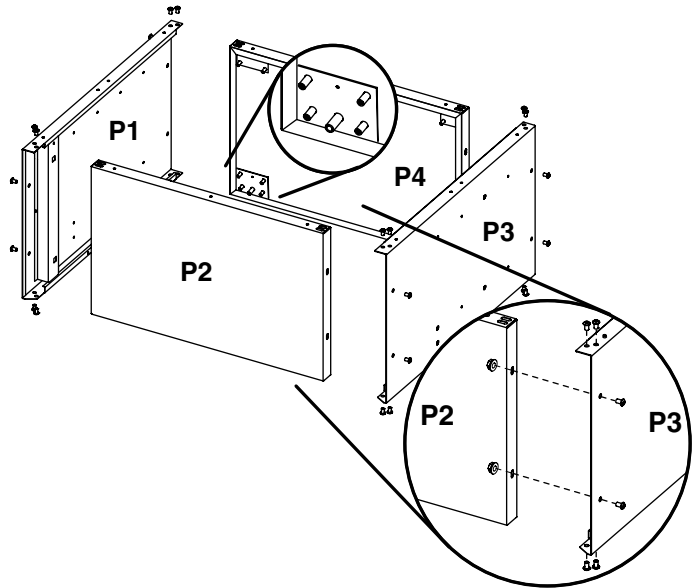
Rassembler les outils nécessaires avant de commencer l'installation.

Outillage nécessaire :

- Clé de $\frac{1}{2}$ "
- Tournevis Phillips
- Clé de $\frac{3}{8}$ "
- Niveau

Outils fournis :

- Clé hexagonale
- Clé



AVERTISSEMENT

Risque du poids excessif

Utiliser deux ou plus de personnes pour déplacer, assembler, ou installer l'armoire.

Le non-respect de cette instruction peut causer une blessure au dos ou d'autre blessure.

IMPORTANT :

- La participation de deux personnes peut être nécessaire pour l'assemblage.
 - Lors de l'assemblage de l'armoire, placer vers le haut les rives comportant les trous.
 - Si vous assemblez l'armoire sur le plancher, serrer les huit boulons de coin, deux à chaque angle, après avoir placé l'armoire en position verticale.
1. Placer un panneau latéral (P1) sur une surface ferme plane; la rive comportant des trous doit être orientée vers le haut, tel qu'illustré.
 2. Insérer le sommet de l'armoire (P2) entre les rives du panneau latéral (P1).
REMARQUE : Les rives comportant des trous doivent être orientées vers le haut.
 3. Aligner les trous; connecter le panneau du sommet (P2) avec le panneau latéral (P1) - utiliser six vis hexagonales (F1) et des écrous à embase de $\frac{5}{16}$ " (F2) - voir l'illustration. Ne pas serrer complètement.
 4. Positionner le panneau latéral (P3) de façon à ce que le panneau supérieur (P2) se trouve entre les rives du panneau latéral (P3).
 5. Aligner les trous; connecter le panneau du sommet (P2) avec le panneau latéral (P3) - utiliser six vis hexagonales (F1) et deux écrous à embase de $\frac{5}{16}$ " (F2) - voir l'illustration. Ne pas serrer complètement.
 6. Insérer le bas de l'armoire (P4) entre les rives des panneaux latéraux (P1 et P3).
REMARQUE : S'assurer que les rives comportant les trous sont orientées vers le haut et que les gougeons filetés sont à la verticale à l'intérieur de l'appareil, tel qu'illustré.
 7. Aligner les trous; connecter le panneau du bas (P4) avec les panneaux latéraux (P1 et P3) - utiliser six vis hexagonales (F1) et deux écrous à embase (F2) de $\frac{5}{16}$ " pour chaque côté - voir l'illustration. Ne pas serrer complètement.

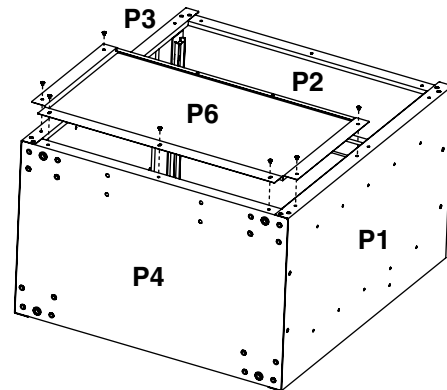
Fixation du panneau arrière inférieur



F3c

F3c Vis Phillips (7 - noires)

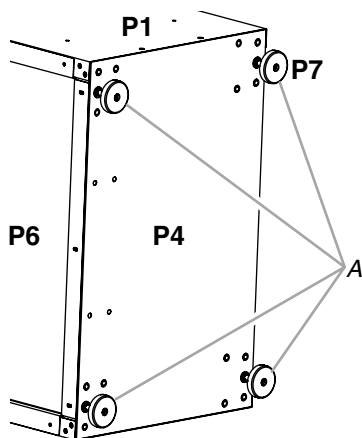
1. Utiliser sept vis Phillips (F3c) pour assujettir le panneau arrière inférieur (P6) avec le panneau du bas (P4) et les panneaux latéraux (P1 et P3) - voir l'illustration. Serrer les vis complètement.
2. Utiliser la clé hexagonale (fournie) pour serrer complètement tous les écrous et vis de l'armoire.



Installation des pieds de réglage de l'aplomb

L'armoire à outils modulaire Gladiator® peut être utilisée comme armoire stationnaire ou roulante. Pour la commande de l'ensemble de roulettes de l'armoire à outils modulaire en acier Gladiator®, voir la section "Accessoires".

1. Placer l'armoire en appui sur un côté.
2. Visser un pied de réglage de l'aplomb (P7) dans chacun des quatre écrous rivés situés dans les angles de l'armoire - voir l'illustration.



A. Pieds de réglage de l'aplomb

3. Placer l'armoire à la verticale.
4. Si ce n'est pas déjà effectué, serrer les deux vis de chaque angle à l'avant du cadre de l'armoire. Serrer complètement tous les écrous et vis de l'armoire.

Assemblage du tiroir



F3c

F3c Vis Phillips (22 - noir)

IMPORTANT :

- Positionner les côtés du tiroir de telle manière que les glissières soient au sommet et orientées vers l'extérieur.
- Ne pas serrer complètement les six vis qui assujettissent l'arrière du tiroir avec les côtés.

1. Utiliser trois vis Phillips (F3c) pour assujettir le côté (D1) au panneau arrière (D2) - voir l'illustration.

REMARQUE : Travailler par l'arrière; insérer les vis à travers le panneau arrière du tiroir puis dans le panneau latéral du tiroir.

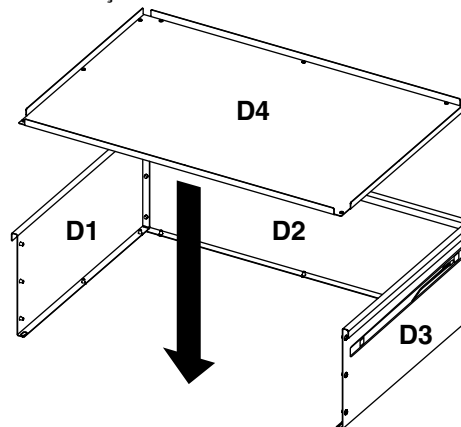
2. Utiliser trois vis Phillips (F3c) pour assujettir le côté (D3) au panneau arrière (D2) - voir l'illustration.

REMARQUE : Travailler par l'arrière; insérer les vis à travers le panneau arrière du tiroir puis dans le panneau latéral du tiroir.

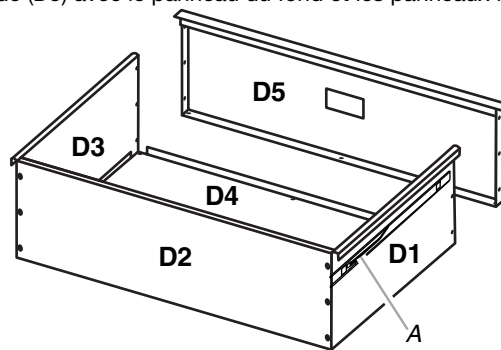
3. Travailler par le sommet; placer le panneau du fond du tiroir (D4) sur les rebords des panneaux arrière et latéraux - voir l'illustration.

4. Travailler par le dessous; insérer les vis à travers le panneau arrière du tiroir et les panneaux latéraux, puis dans le panneau du fond.

REMARQUE : Attendre que le panneau de façade soit en place avant d'insérer les vis qui doivent assujettir le fond du tiroir avec le panneau de façade.



5. Utiliser neuf vis Phillips (F3c) pour assujettir le panneau de façade (D5) avec le panneau du fond et les panneaux latéraux.

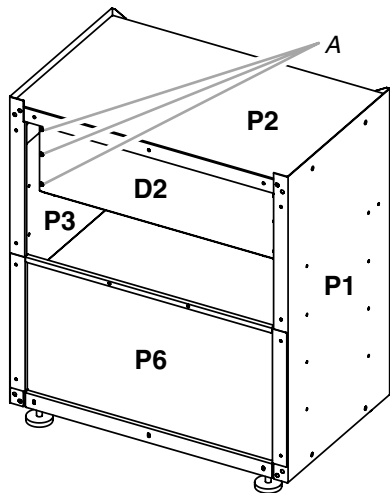


A. Levier de glissière du tiroir

6. Avant d'insérer le tiroir dans l'armoire, veiller à placer les chariots recevant les roulettes sur les glissières vers l'avant de l'armoire.
7. Aligner les glissières du tiroir avec les glissières placées à l'intérieur de l'armoire. Insérer les glissières du tiroir dans les glissières internes; pousser le tiroir dans l'armoire.

REMARQUE : Si les glissières du tiroir ne sont pas correctement alignées avec les glissières de l'armoire, le tiroir peut se bloquer dans l'armoire. En faisant face à l'armoire, appuyer sur le levier situé sur la glissière droite du tiroir tout en relevant le levier situé sur la glissière gauche du tiroir pour relâcher le tiroir.

8. Lorsque le tiroir est en place, travailler par l'arrière de l'armoire pour serrer complètement les six vis de fixation du panneau arrière du tiroir.



A. Serrer les vis du tiroir.

Fixation du panneau arrière supérieur



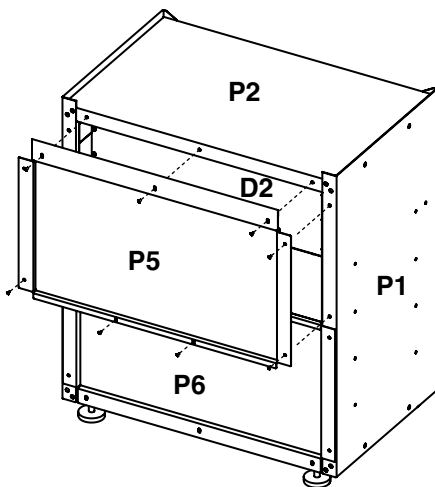
F3c

F3c Vis Phillips (9- noires)

1. Aligner le panneau arrière (P5) avec les trous du sommet (P2). Utiliser sept vis Phillips (F3c) pour assujettir le panneau arrière (P5) avec le panneau supérieur (P2) et les panneaux latéraux (P1 et P3) - voir l'illustration. Ne pas complètement serrer les vis.

REMARQUE : Le panneau arrière (P5) chevauchera légèrement le panneau arrière (P6).

2. Utiliser deux vis Phillips (F3c) pour assujettir le panneau arrière supérieur (P5) avec le panneau arrière inférieur (P6) - voir l'illustration.
3. Serrer complètement toutes les vis du panneau arrière - commencer par les côtés et poursuivre avec le sommet, le milieu de l'armoire et le fond.



Installation de la barre du loquet de porte

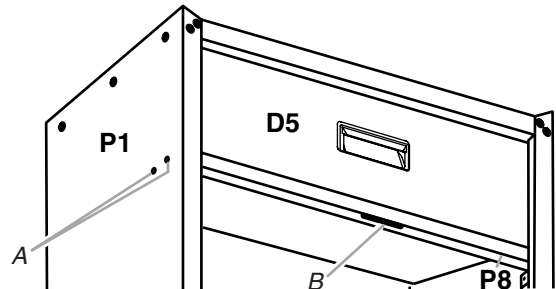


F3c

F3c Vis Phillips (4 - noires)

IMPORTANT : Pour qu'il soit possible de fermer et verrouiller les portes, on doit utiliser la paire de trous sur chaque côté de l'armoire pour l'installation de la barre du loquet de porte (P8).

1. Aligner la barre du loquet avec les trous - voir l'illustration.
REMARQUE : Veiller à ce que la rainure usinée dans la barre de loquet soit orientée vers le bas.
2. Utiliser deux vis Phillips (F3c) sur chaque côté pour fixer la barre de loquet (P8) sur les côtés de l'armoire (P1 et P3).



A. Trous pour installation de la barre de loquet
B. Rainure dans la barre de loquet

Installation de l'étagère



F3c

F3c Vis Phillips (4 - noires)



F5

F5 Petit écrou à embase (4)

IMPORTANT : Pour l'installation de l'étagère, on peut utiliser n'importe lesquels des trous inférieurs des panneaux latéraux de l'armoire.

1. Placer l'étagère (P9) dans l'armoire de façon à ce que la longue rive comportant les aimants de porte soit orientée vers l'extérieur.
2. Aligner les trous de l'étagère avec les trous souhaités dans les parois latérales de l'armoire (P1 and P3).
3. Utiliser deux vis Phillips (F3c) et deux petits écrous à embase (F5) sur chaque côté pour assujettir l'étagère sur les panneaux latéraux (P1 et P3).

Installation des portes

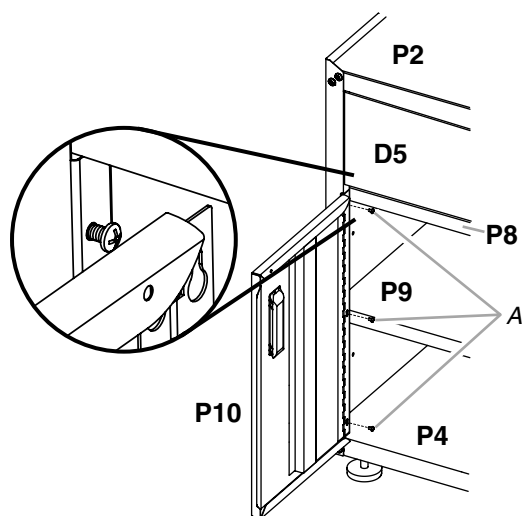


F3c

F3c Vis Phillips (6 - noires)

IMPORTANT :

- On doit installer la porte comportant le mécanisme de verrouillage (P11) sur le côté droit de l'armoire.
 - Le charnières de porte sont conçues avec les trous allongés en haut et en bas de façon à ce que la porte soit suspendue à l'armoire pendant que l'on serre les vis.
1. Engager les vis Phillips (F3c) dans les trous supérieurs et inférieurs de chaque côté de l'armoire.
 2. Suspendre la porte de gauche (P10) aux vis supérieures et inférieures puis serrer à la main.
 3. Insérer les deux vis du milieu dans la charnière de porte, dans l'armoire, puis serrer à la main.



4. Répéter les étapes 2 et 3 pour installer la porte de droite (P11).
5. Aligner les portes et serrer complètement les vis.

Fin de l'assemblage

1. S'assurer qu'il y a un boulon ou une vis dans chaque trou du cadre de l'armoire.
2. Déplacer l'armoire jusqu'à son emplacement d'installation final.
3. Placer un niveau sur l'étagère interne; si nécessaire, ajuster la longueur de déploiement des pieds de réglage de l'aplomb (P7) pour établir l'aplomb de l'armoire (rotation vers la gauche pour soulèvement; rotation vers la droite pour abaissement).
4. Si les portes ne sont pas alignées, desserrer les vis fixant la charnière de porte sur l'armoire.
5. Ajuster la position de la porte à la hauteur désirée et resserrer complètement les vis.

ACCESSOIRES

Pour commander des accessoires, composer le **1-866-342-4089** et demander le numéro d'accessoire indiqué ci-dessous ou contacter votre marchand autorisé Gladiator®. Au Canada, composer le **1-800-807-6777**.

Ensemble de roulettes

Commander la pièce n° GACK04KDSX

Surface de travail VersaTop™

Commander la pièce n° GAVT18SPSX

Plan de travail modulaire en bambou

Commander la pièce n° GAAC28BAYX

GARANTIE DE L'ARMOIRE À OUTILS MODULAIRE EN ACIER DE GLADIATOR® GARAGEWORKS

GARANTIE LIMITÉE DE DIX ANS - (ARMOIRE À OUTILS UNIQUEMENT - MAIN-D'OEUVRE NON COMPRISE)

Pendant dix ans à compter de la date d'achat d'origine, lorsque l'armoire à outils modulaire en acier à trois tiroirs est utilisée et entretenue conformément aux instructions jointes au produit ou fournies avec, Gladiator® GarageWorks choisira à sa seule discrétion de fournir les pièces de rechange spécifiées par l'usine pour corriger les vices de matériaux ou de fabrication qui existaient déjà lorsque le produit a été acheté, ou de remplacer le produit (frais d'expédition ou de transport non compris). S'il est remplacé, l'appareil restera sous garantie pour la durée restant à courir de la garantie limitée de dix ans sur le produit d'origine.

LE SEUL ET EXCLUSIF RECOURS DU CLIENT DANS LE CADRE DE LA PRÉSENTE GARANTIE LIMITÉE CONSISTE EN LA RÉPARATION OU LE REMPLACEMENT DE L'APPAREIL TEL QUE PRÉVU PAR LA PRÉSENTE, ET CE À NOTRE SEULE DISCRÉTION. Cette garantie limitée est valide uniquement aux États-Unis et au Canada et s'applique exclusivement lorsque le produit est utilisé dans le pays où il a été acheté. La présente garantie limitée est valable à compter de la date d'achat initial par le consommateur. Une preuve de la date d'achat initial est exigée pour obtenir une intervention de dépannage ou un remplacement dans le cadre de la présente garantie limitée.

ÉLÉMENTS EXCLUS DE LA GARANTIE

La présente garantie limitée ne couvre pas :

1. Les interventions de dépannage à domicile, notamment les interventions visant à rectifier l'installation de produits Gladiator® GarageWorks ou à expliquer à l'utilisateur le mode d'utilisation ou d'installation du produit.
2. Les dommages causés par une manutention ou une expédition inadéquate des produits, ou de produits endommagés par accident, altération, mésusage, abus, incendie, inondation, installation incorrecte, actes de Dieu, négligence, corrosion, modification ou mauvaise manipulation.
3. Les frais d'expédition ou de transport pour livrer un produit de rechange ou retourner le produit défectueux.
4. Le remplacement du produit ou les pièces spécifiées par l'usine lorsque le produit est utilisé à des fins autres qu'un usage domestique unifamilial normal - tel un environnement commercial - ou lorsque le produit n'est pas utilisé conformément aux instructions d'installation et/ou aux instructions de l'opérateur ou de l'utilisateur fournies.
5. Les défauts d'apparence - éraflures, traces de choc ou fissures - n'affectant pas la fonctionnalité ou la résistance structurale du produit.
6. Tous les frais de main-d'œuvre encourus au cours de la période de garantie limitée.
7. Les dommages causés par un chargement incorrect au-delà de la capacité de poids maximum spécifiée dans les instructions d'assemblage fournies avec le produit, y compris la surcharge de crochets, paniers, étagères, armoires et autres accessoires Gladiator® GarageWorks utilisés avec le produit.
8. Les surfaces endommagées par une interaction chimique causée par la corrosion de la peinture ou du métal.
9. Les clés ou mécanisme de verrouillage de rechange.

Le coût d'une réparation ou d'un remplacement dans le cadre de ces circonstances exclues est à la charge du client.

CLAUSE D'EXONÉRATION DE RESPONSABILITÉ AU TITRE DES GARANTIES IMPLICITES

LES GARANTIES IMPLICITES, Y COMPRIS LES GARANTIES APPLICABLES DE QUALITÉ MARCHANDE OU D'APTITUDE À UN USAGE PARTICULIER, SONT LIMITÉES À UN AN OU À LA PLUS COURTE PÉRIODE AUTORISÉE PAR LA LOI. Certains États et provinces ne permettent pas de limitation sur la durée des garanties implicites de qualité marchande ou d'aptitude à un usage particulier, de sorte que la limitation ci-dessus peut ne pas être applicable dans votre cas. Cette garantie vous confère des droits juridiques spécifiques et vous pouvez également jouir d'autres droits qui peuvent varier d'une juridiction à l'autre.

LIMITATION DES RECOURS; EXCLUSION DES DOMMAGES FORTUITS OU INDIRECTS

LE SEUL ET EXCLUSIF RECOURS DU CLIENT DANS LE CADRE DE LA PRÉSENTE GARANTIE LIMITÉE CONSISTE EN LA RÉPARATION PRÉVUE PAR LA PRÉSENTE. GLADIATOR® GARAGEWORKS N'ASSUME AUCUNE RESPONSABILITÉ POUR LES DOMMAGES FORTUITS OU INDIRECTS. Certains États et certaines provinces ne permettent pas l'exclusion ou la limitation des dommages fortuits ou indirects de sorte que ces limitations et exclusions peuvent ne pas être applicables dans votre cas. Cette garantie vous confère des droits juridiques spécifiques et vous pouvez également jouir d'autres droits qui peuvent varier d'une juridiction à l'autre.

Cette garantie ne s'applique pas à l'extérieur des 50 États des États-Unis et du Canada. Contacter votre marchand Gladiator® GarageWorks autorisé pour déterminer si une autre garantie s'applique.

Si vous avez besoin de service, appelez le Centre pour l'eXpérience de la clientèle de Gladiator® GarageWorks au **1-866-342-4089** (sans frais), de n'importe où aux É.-U. Au Canada, contactez votre compagnie de service désignée par Whirlpool Canada LP ou composez le **1-800-807-6777**.

Aux États-Unis, Gladiator® GarageWorks correspond à Whirlpool Corporation, Benton Harbor, Michigan 49022. Au Canada, Gladiator® GarageWorks correspond à Whirlpool Canada LP, Mississauga, ON L5N 3A7. 10/11

Conservez ensemble ce manuel et votre reçu de vente pour référence ultérieure. Pour un entretien ou une réparation sous garantie, vous devez présenter un document attestant de la date d'achat ou d'installation.

Inscrivez les renseignements suivants au sujet de votre armoire à outils modulaire en acier à trois tiroirs pour mieux vous aider à obtenir assistance ou service en cas de besoin. Vous devrez connaître le numéro de modèle et le numéro de série au complet. Vous trouverez ces renseignements sur la plaque signalétique située à l'arrière du produit.

Nom du revendeur _____
Adresse _____
Numéro de téléphone _____
Numéro de modèle _____
Numéro de série _____
Date d'achat _____

2254086D

© 2011 Whirlpool Corporation.

All rights reserved.

Todos los derechos reservados.

Tous droits réservés.

© Registered Trademark/TM Trademark of Whirlpool, U.S.A., Whirlpool Canada LP Licensee in Canada

© Marca registrada/TM Marca de comercio de Whirlpool, U.S.A., usada bajo licencia de Whirlpool Canada LP en Canadá

© Marque déposée/TM Marque de commerce de Whirlpool, U.S.A., emploi sous licence par Whirlpool Canada LP au Canada

11/11

Printed in China

Impreso en China

Imprimé en Chine