



Vertex International, Inc.
Minnesota, USA

- ✉ - service@vertexproducts.com
- 🌐 - vertexproducts.com
- 📞 - 612-709-9534



GB2966 Deluxe XTV™

STEP 1

Before beginning assembly, you should have:

Assembly Tools Needed

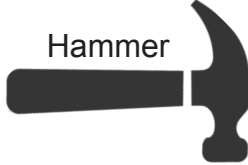
Phillips Screwdriver, #2



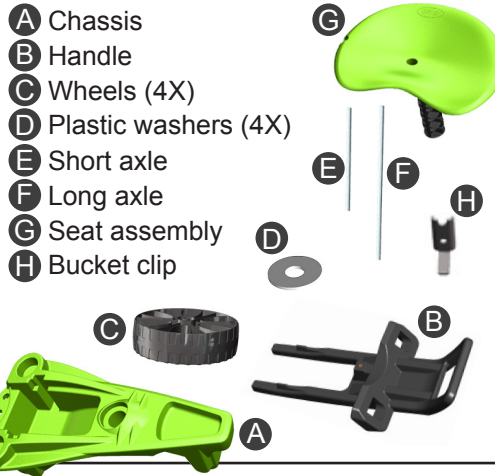
Wrench, 7/16 (or adjustable)



Hammer



Product Components



Hardware Pack

- I** 1/4"-20 x 1.50" Screw **1X**
- J** 1/4"-20 x 2.25" Screws **2X**
- K** 1/4"-20 x 4.25" Screw **1X**
- L** 1/4" flat washers **5X**
- M** Wing nut **1X**
- N** 1/4" nylock nuts **2X**
- O** Axle push nuts **4X**

MISSING PARTS?

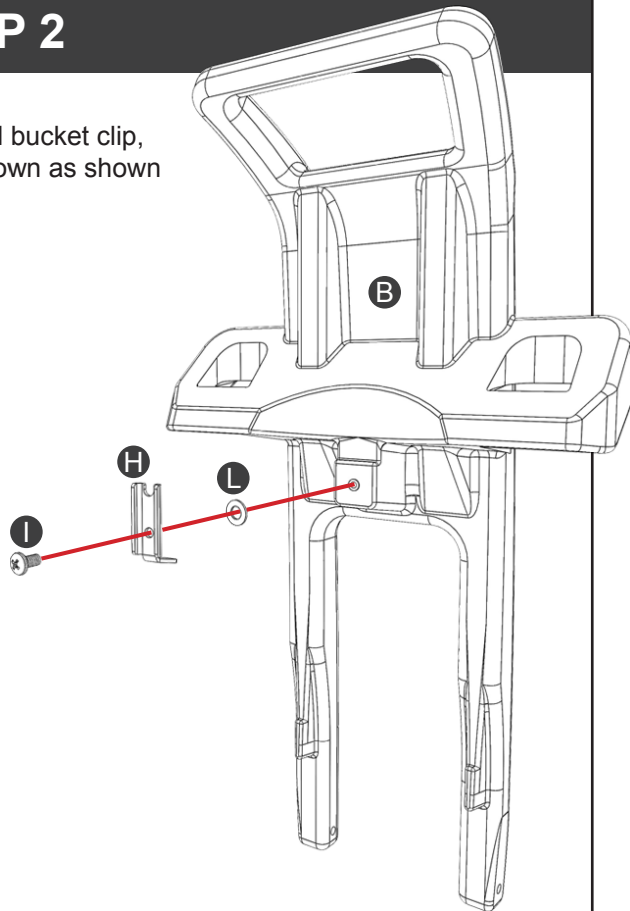
Send the following to service@vertexproducts.com or text 612-709-9534

1. Model Number & Place of Purchase
2. Letter & Description of missing part
3. Your Name and Address

Inquiries received by 2 PM CST will be shipped same business day

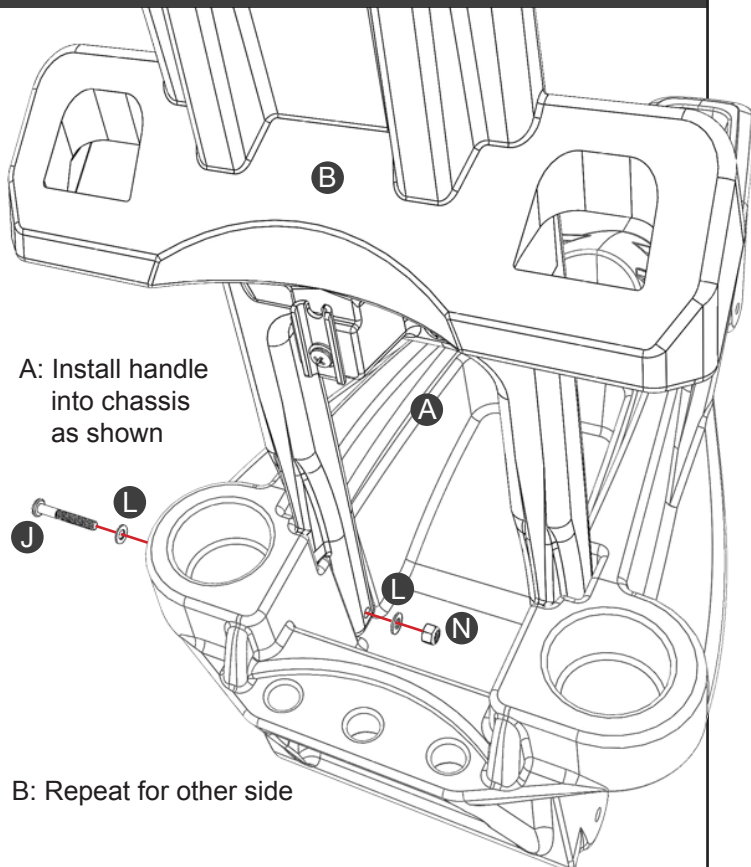
STEP 2

A: Install bucket clip, tab down as shown



STEP 3

A: Install handle into chassis as shown



B: Repeat for other side



Vertex International, Inc.
Minnesota, USA

- ✉ - service@vertexproducts.com
- 🌐 - vertexproducts.com
- 📞 - 612-709-9534



GB2966 Deluxe XTV™

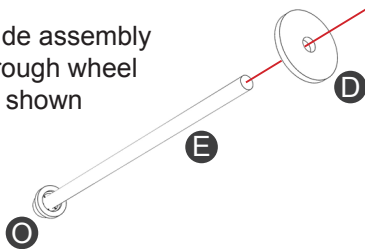
STEP 4

A: Tap one axle nut on end of each axle

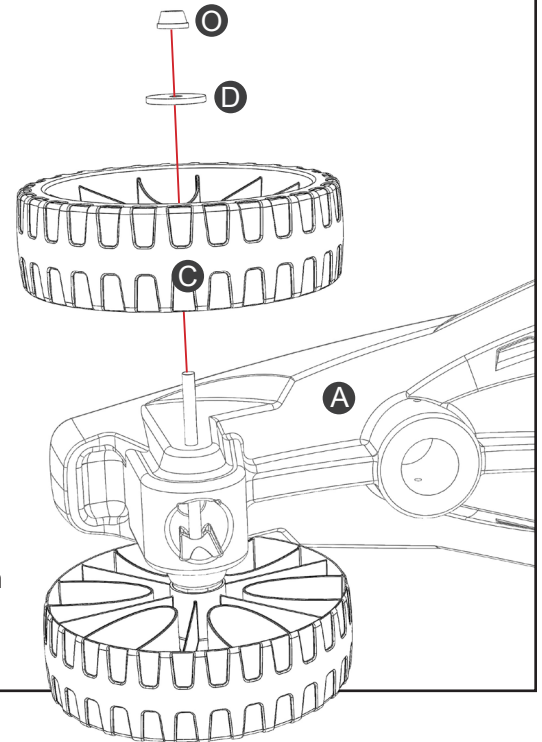


B: Install plastic washer with vertexproducts.com facing axle nut

C: Slide assembly through wheel as shown

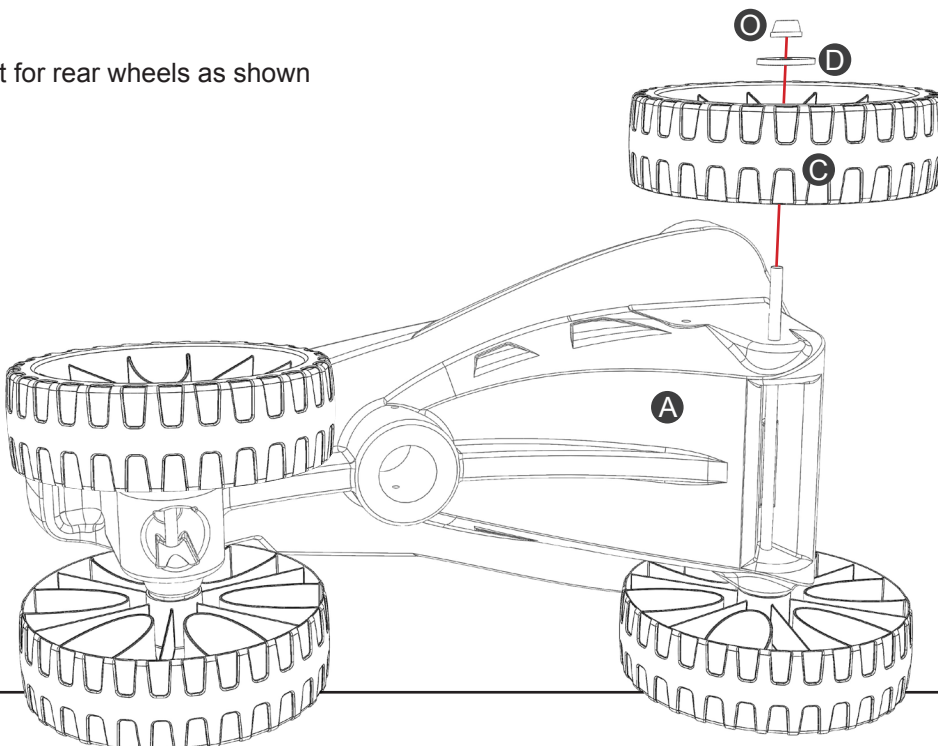


D: Install front wheels as shown



STEP 5

A: Repeat for rear wheels as shown





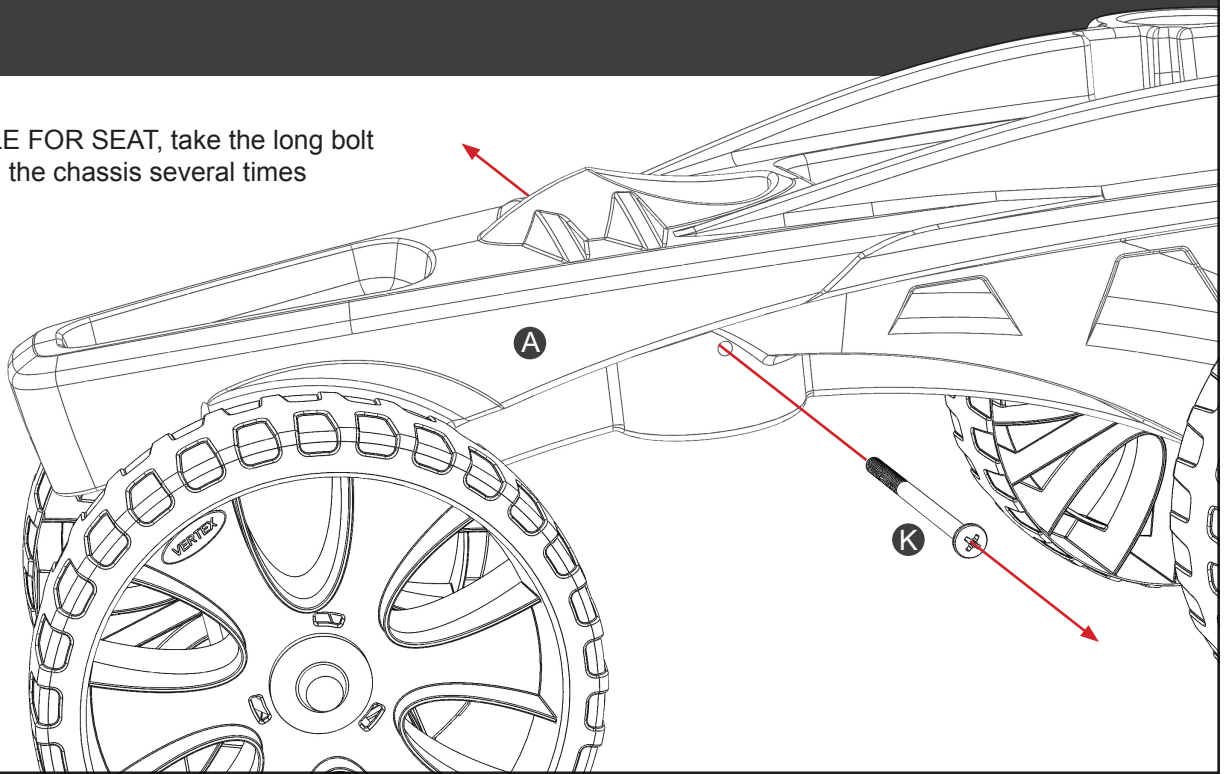
Vertex International, Inc.
Minnesota, USA

- ✉ - service@vertexproducts.com
- 🌐 - vertexproducts.com
- 📞 - 612-709-9534

GB2966 Deluxe XTV™

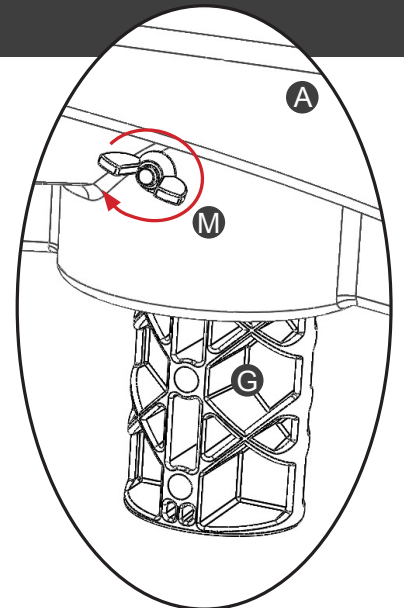
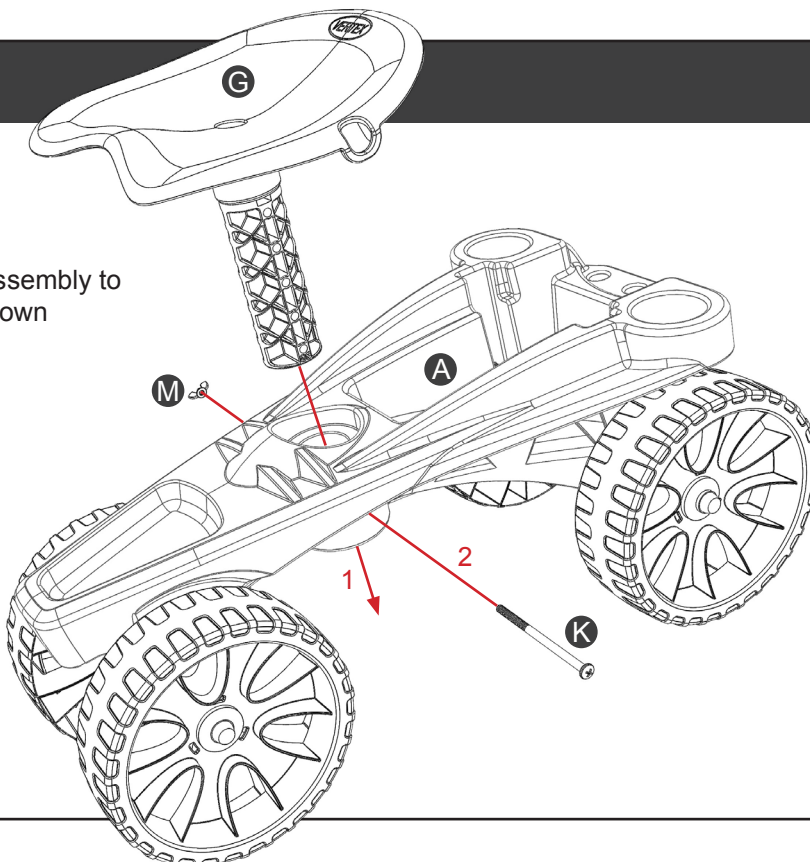
STEP 6

B: CLEAR BOLT HOLE FOR SEAT, take the long bolt and slide it through the chassis several times



STEP 7

A: Attach seat assembly to chassis as shown



B: Repeat for adjusting heights



Vertex International, Inc.
Minnesota, USA

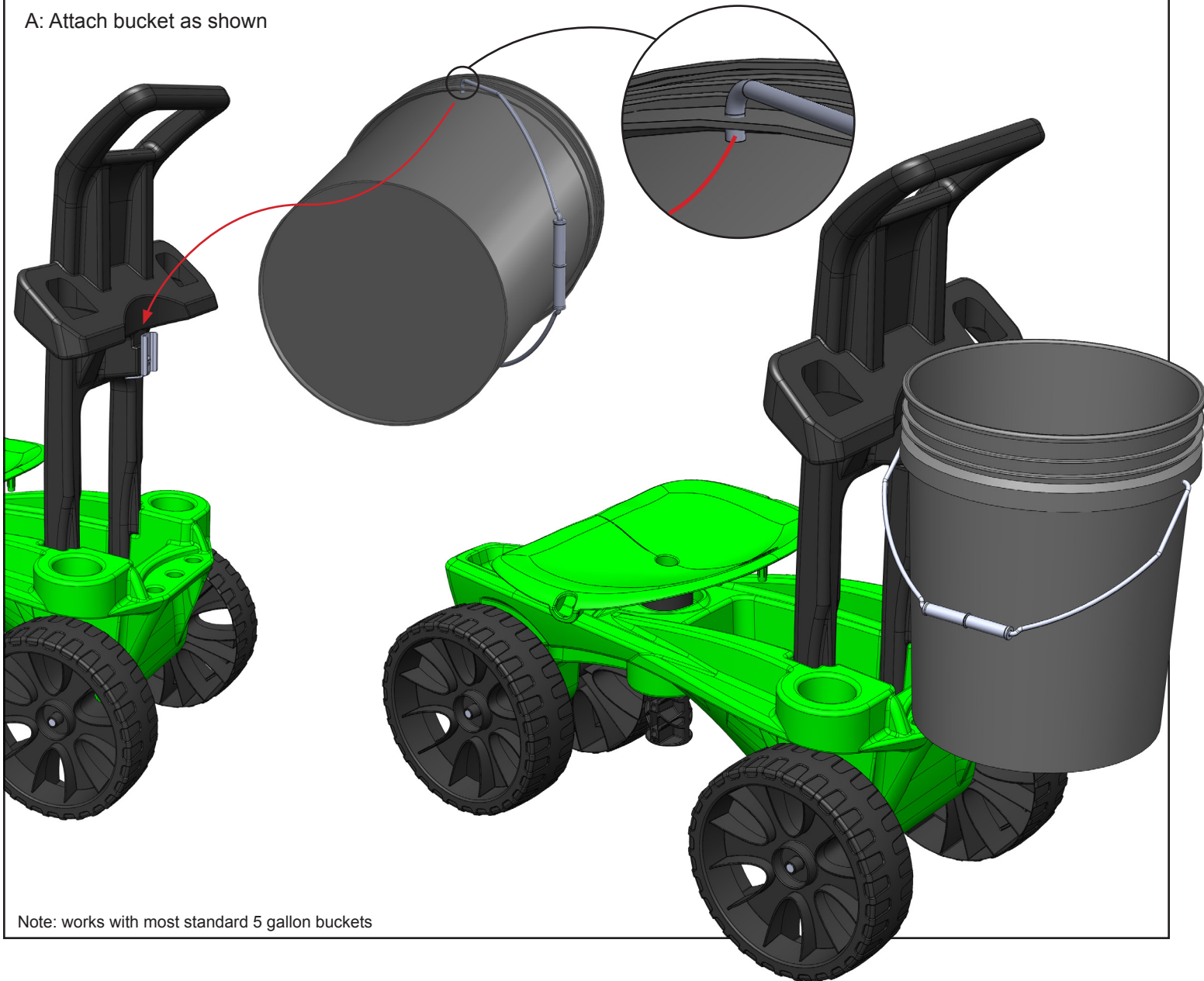
- ✉ - service@vertexproducts.com
- 🌐 - vertexproducts.com
- 📞 - 612-709-9534



GB2966 Deluxe XTV™

STEP 8 (Optional Accessory)

A: Attach bucket as shown



Note: works with most standard 5 gallon buckets