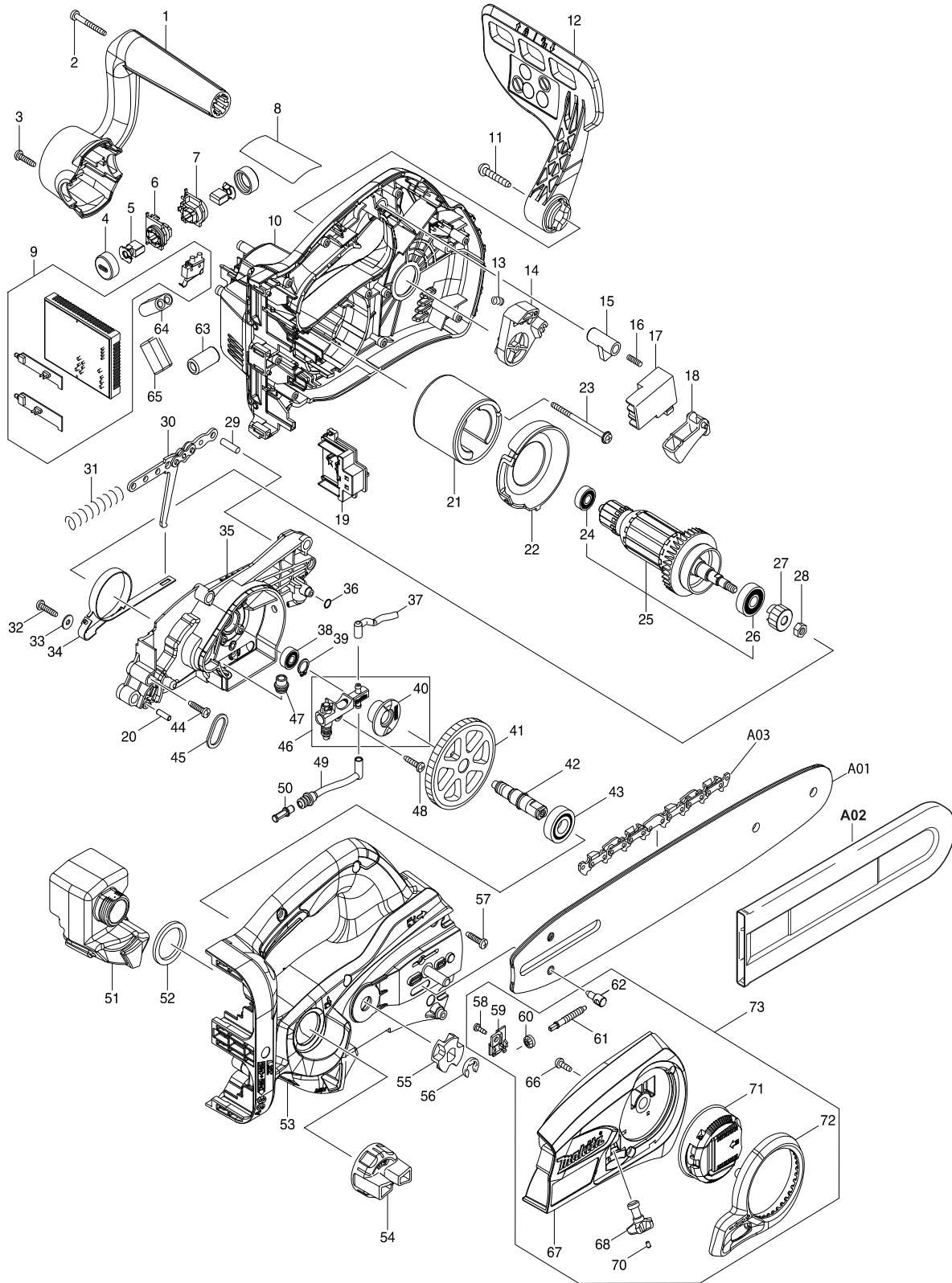




XCU02



Products with multiple versions are listed in subsiding order with the newest version on top not indented.

Section	Fig. No.	Part No.	Description	XCU02	Tech Bulletin	Notes
1	1	451972-6	FRONT HANDLE	1		
1	2	266053-1	TAPPING SCREW 4X35	1		
1	3	265995-6	TAPPING SCREW 4X18	2		
1	4	643941-3	BRUSH HOLDER CAP	2		
1	5	CB442	CARBON BRUSH SET	1		
1	6	644514-5	BRUSH HOLDER	1		
1	7	644513-7	BRUSH HOLDER	1		
1	9	620306-6	CONTROLLER	1		
1	10	187941-8	HOUSING SET	1		Includes 263005-3 and position 53
1		263005-3	RUBBER PIN 6	4		Not Pictured
1	11	266173-1	TAPPING SCREW 5X30	1		
1	12	455120-9	FRONT HAND GUARD	1		
1	13	231298-0	COMPRESSION SPRING 6	1		
1	14	451973-4	HAND GUARD SUPPORT	1		
1	15	416178-3	LOCK-OFF BUTTON	1		
1	16	233173-6	COMPRESSION SPRING 4	1		
1	17	650730-9	SWITCH TG72BD-6	1		
1	18	450212-9	SWITCH LEVER	1		
1	19	644808-8	TERMINAL	2		
1	20	256184-4	PIN 4	1		
1	21	638571-3	YOKE UNIT	1		
1	22	451970-0	BAFFLE PLATE	1		
1	23	266292-3	TAPPING SCREW 4X65	2		
1	24	211021-9	BALL BEARING 607ZZ	1		
1	24	210062-2	BALL BEARING 607ZZ	1		
1	25	519268-2	ARMATURE ASS'Y 36V	1		Includes 24, 26
1	26	211092-6	BALL BEARING 629DDW	1		
1	27	227252-0	SPUR GEAR 16	1		
1	28	252186-8	HEX. NUT M6	1		
1	29	256123-4	PIN 5	1		
1	30	158047-9	LINK PLATE COMPLETE	1		
1	31	233175-2	COMPRESSION SPRING 9	1		
1	32	265995-6	TAPPING SCREW 4X18	1		
1	33	267195-4	FLAT WASHER 4	1		

Products with multiple versions are listed in subsiding order with the newest version on top not indented.

Section	Fig. No.	Part No.	Description	XCU02	Tech Bulletin	Notes
1	34	168321-7	BRAKE BAND	1		
1	35	142573-8	BEARING HOUSING COMPLETE	1		Includes 263002-9 and 414377-1
1		263002-9	RUBBER PIN 4	1		Not Pictured
1		414377-1	NOZZLE	1		Not Pictured
1	36	213039-6	O RING 6	1		
1	37	422058-3	CONNECTOR	1		
1	38	211012-0	BALL BEARING 606ZZ	1		
1	38	210028-2	BALL BEARING 606ZZ	1		
1	39	961006-2	RETAINING RING S-10	1		
1	40	221427-3	WORM GEAR	1		
1	41	227251-2	SPUR GEAR 73	1		
1	42	326417-2	SPINDLE	1		
1	43	210109-2	BALL BEARING 6001DDW	1		
1	44	265995-6	TAPPING SCREW 4X18	3		
1	45	310593-2	HANGER	1		
1	46	142156-4	OIL PUMP COMPLETE	1		Includes #40
1	46	196419-0	OIL PUMP SET	1		
1	47	424629-2	GROMMET	1		
1	48	265995-6	TAPPING SCREW 4X18	1		
1	49	422057-5	CONNECTOR	1		
1	50	450437-5	FILTER	1		
1	51	455121-7	OIL TANK	1		
1	52	424326-0	SPONGE SHEET	1		
1	53	187941-8	HOUSING SET	1		Includes 263005-3 and position 10
1		263005-3	RUBBER PIN 6	4		Not Pictured
1	54	158810-0	TANK CAP COMPLETE	1		
1	55	221526-1	SPROCKET	1		
1	56	961014-3	STOP RING E-8	1		
1	57	265995-6	TAPPING SCREW 4X18	9		
1	58	266020-6	TAPPING SCREW 4X12	1		
1	59	454818-5	COVER	1		
1	60	227496-2	STRAIGHT BEVEL GEAR 14	1		
1	61	326372-8	ADJUST SCREW	1		
1	62	326310-0	ADJUST PIN	1		
1	66	266020-6	TAPPING SCREW 4X12	3		

Products with multiple versions are listed in subsiding order with the newest version on top not indented.

Section	Fig. No.	Part No.	Description	XCU02	Tech Bulletin	Notes
1	67	142571-2	SPROCKET COVER COMPLETE	1		
1	68	142665-3	DRIVE GEAR COMPLETE	1		
1	70	263002-9	RUBBER PIN 4	1		
1	71	142235-8	NUT COMPLETE	1		
1	72	454819-3	NUT COVER	1		
1	73	196779-0	SPROCKET COVER SET	1		Includes 58-62, 66-68, 70-72
1	A01	165245-8	GUIDE BAR	1		
1	A02	952-010-630	CHAIN COVER	1		
1	A02	419288-5	CHAIN COVER	1		
1	A03	531-291-646	SAW CHAIN SET	1		
1	A03	196740-7	SAW CHAIN SET	1		