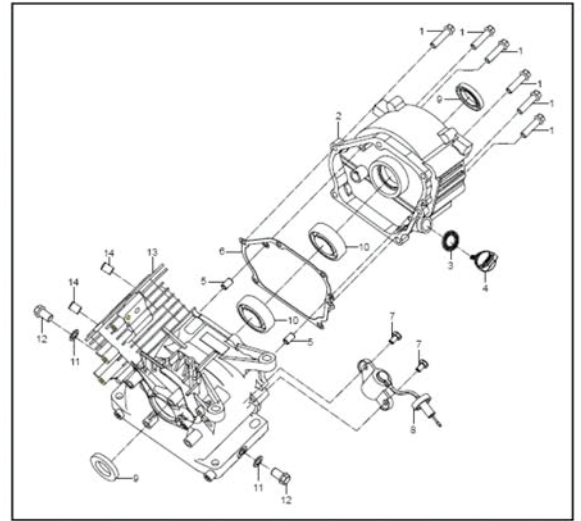


PARTS DIAGRAM

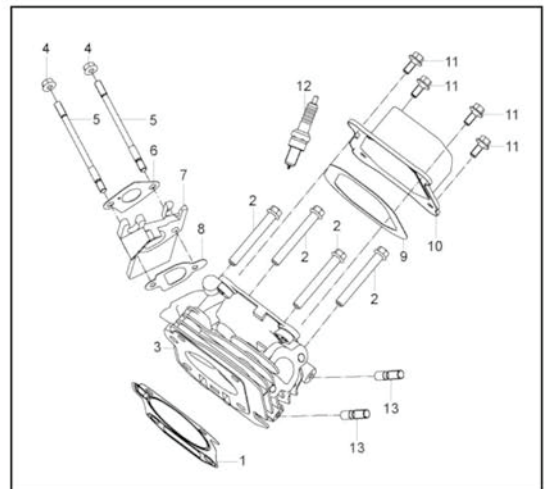
CRANKCASE ASSEMBLY

NO.	PART NO.	DESCRIPTION	QTY
1	GB/T16674.1-2004	Bolt M8x30	6
2	QJ168QDJ.01-01B	Cover, Crankcase	1
3	JF142F.8-5	Oil Seal, Dipstick	1
4	QJ168QDJ .01-04	Dipstick	1
5	157.3-8	Guide Dowel $\phi 8 \times 14$	2
6	QJ168QDJ .01-02	Gasket, Crankcase	1
7	GB/T16674.1-2004	Bolt M6x12	2
8	QJ168FJH-3.01.02	Oil level sensor components	1
9	QJ168QDJ.01.01	Oil Seal $\phi 25 \times \phi 41.25 \times 6$	2
10	GB/T276-2013	Bearing 6205/P53	2
11	QJ166QDK.01-07B	Washer, Drain Plug	2
12	QJ166QDK.01-06	Drain Plug	2
13	JF170FLH.01.01	Crankcase Body	1
14	157.4-6	Guide Dowel $\phi 10 \times 14$	2



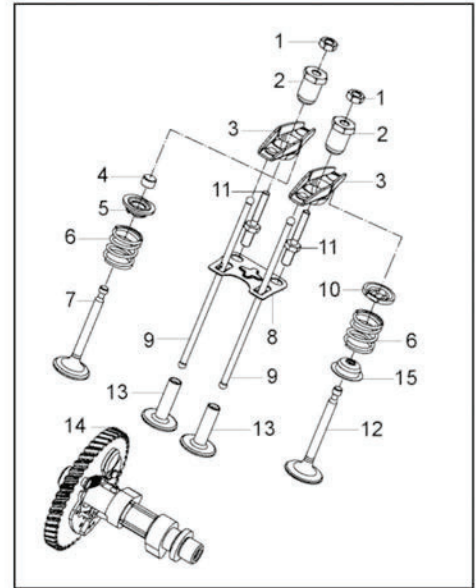
CYLINDER HEAD

NO.	PART NO.	DESCRIPTION	QTY
1	JF170FLH.02-01	Gasket, Cylinder Head	1
2	GB/T16674.1-2004	Bolt, Cylinder Head M8x60	4
3	QJ168QDL.02.01C	Cylinder Head Assembly	1
4	GB/T6177.1-2000	Nut M6	2
5	JF152FFH.02-06	Double End Stud	2
6	QJ168QDJ.02-05	Gasket, Intake 1	1
7	QJ168QDJ.02-02	Spacer, Heat Insulating	1
8	QJ168QDJ.02-04	Gasket, Intake 2	1
9	QJ168QDJ.02-06	Gasket, Cylinder Head Cover	1
10	QJ168QDJ.02.03B	Cylinder Head Cover	1
11	GB/T5789-1986	Bolt M6x14	4
12	QJ1E50FMG.1.2	Spark Plug	1
13	QJ168QDJ.02-07	Double End Stud	2



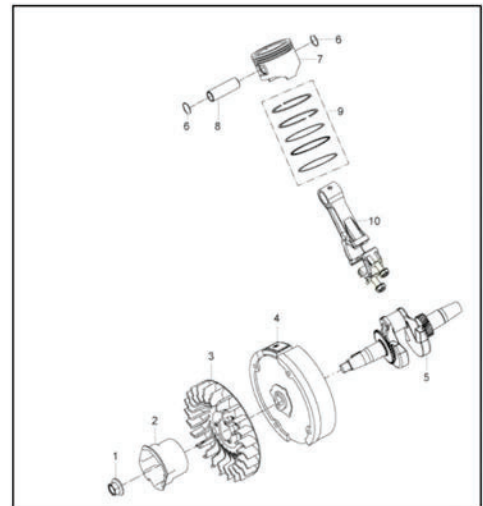
VALVE ASSEMBLY

NO.	PART NO.	DESCRIPTION	QTY
1	QJ166QDK.03-11	Nut, Valve Clearance Adjustment	2
2	QJ182QDP.03-07	Button head, Arm	2
3	QJ168QDJ.03-09	Arm	2
4	QJ168QDJ.03-02	Cap, Exhaust Rod	1
5	QJ168QDJ.03-10	Upper Retainer, Exhaust Valve Spring	1
6	QJ168QDJ.03-07	Spring, Valve	2
7	QJ168QDJ.03-05C	Valve, Exhaust	1
8	QJ168QDJ.03.04	Guide Plate, Connecting Stud	1
9	QJ168QDJ.03.02	Rod, Connecting	2
10	QJ168QDJ.03-08	Upper Retainer, Intake Valve Spring	1
11	QJ182QDP.03-04	Adjusting Stud, Valve Clearance	2
12	QJ168QDJ.03-06C	Valve, Intake	1
13	QJ168QDL.03-01	Stud, Connecting	2
14	QJ168QDL .03.01B	Camshaft	1
15	QJ1P64.02.01	Seal, Valve Stem	1



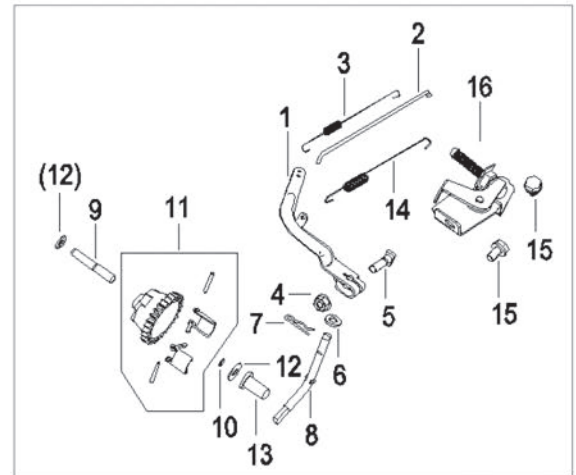
CRANKSHAFT ASSEMBLY

NO.	PART NO.	DESCRIPTION	QTY
1	GB/T6177.2-2000	Nut, M14*1.5	1
2	QJ168QDJ.04-10B	Start-Up Ratchet Gear	1
3	QJ168QDJ.04-11	Fan Wheel	1
4	QJ168QDJ.04.03	Fly Wheel	1
5	JF170FLH.04.02H	Crankshaft	1
6	QJ168QDJ.04-05	Clip, Piston Pin	2
7	JF170FLH.04-01B	Piston	1
8	QJ168QDJ.04-04	Pin, Piston	1
9	JF170FLH.04.01B	Piston Ring Assembly	1
10	QJ168QDJ.04.02	Connecting Rod Assembly	1



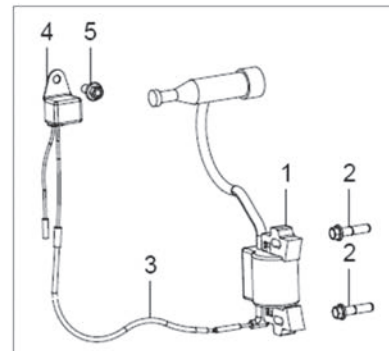
CENTRIFUGAL ADJUSTMENT (GOVERNOR)

NO.	PART NO.	DESCRIPTION	QTY
1	QJ168QDJ.05-01	Arm	1
2	QJ168QDJ.05-07	Rod, Tension	1
3	QJ168QDJ.05-06	Spring 2, Tension	1
4	GB/T6177.1-2000	Nut M6	1
5	QJ182QDP.06-03	Bolt, Square	1
6	QJ168QDJ.05-09	Spacer 2	1
7	QJ182QDP.06-02	Hair Pin	1
8	QJ168QDJ.05-03	Governor Crank	1
9	QJ168QDJ.05-04	Pin	1
10	QJ166QDK.01-02	Circlip	1
11	QJ168QDJ.05.02	Centrifugal Timing Implement	1
12	QJ168QDJ.05-08	Spacer 3	1
13	QJ168QDJ.05-02	Cover, Push Rod	1
14	QJ168QDJ-2.02-01	Spring 1, Tension	1
15	GB/T5789-1986	Bolt M6 X 10	2
16	QJ168QDJ-2.02.01B	RPM Adjust Mechanism	1



IGNITION SYSTEM

NO.	PART NO.	DESCRIPTION	QTY
1	QJ168QDJ.11.03B	Ignition Coil	1
2	GB/T5789-1986	Bolt M6x25	2
3	QJ168QDJ.11.02	Connecting Wire Assy.	1
4	QJ182QDP.01.05	Electronic Switch	1
5	GB/T5789-1986	Bolt M6X10	1



CARBURETOR

NO.	PART NO.	DESCRIPTION	QTY
1	JF170FLH-2.09.01F	Carburetor & Regulator Assy.	1
2	JF168FJH-15.05-08	Clamp, $\phi 8$	2
3	JF168FJH.10.03-03	Clamp, $\phi 8.5$	1
4	QJ168QDJ.10.03-01	Hose, Fuel $\phi 4.5 \times \phi 8.5$	1

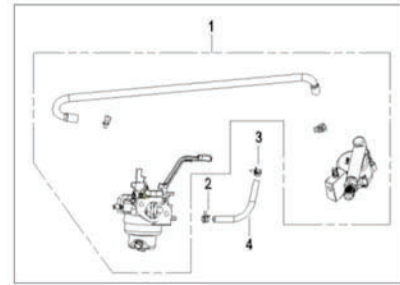
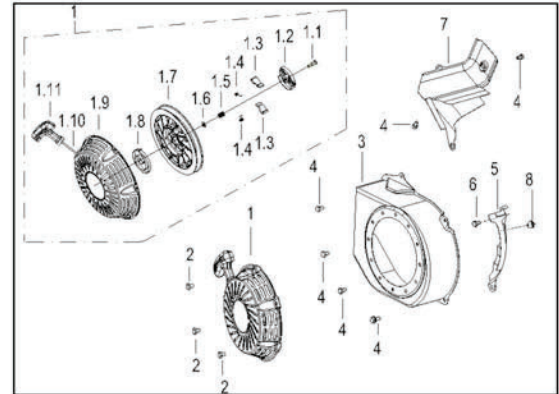


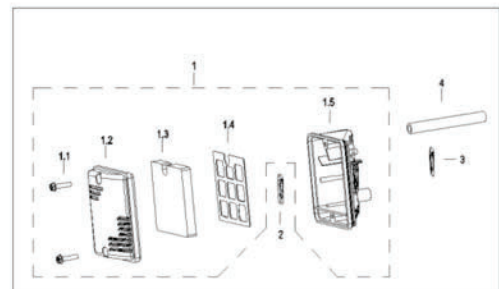
PLATE VENTILATION HOOD COMPONENTS

NO.	PART NO.	DESCRIPTION	QTY
1	JF168FJH-M.06.01D	Starter Assembly	1
1.1	JF168FLH-M.06.01-06	Screw	1
1.2	JF168FLH-M.06.01-08	Guide Pan	1
1.3	JF168FLH-M.06.01-07	Ratchet	2
1.4	JF168FLH-M.06.01-05	Return Spring	2
1.5	JF168FLH-M.06.01-04	Spring	1
1.6	JF168FLH-M.06.01-03	Gasket	1
1.7	JF168FLH-M.06.01-02	Spool	1
1.8	JF168FLH-M.06.01-01	Wind Spring	1
1.9	JF168FLH-M.06.01.01	Starter Cover	1
1.10	QJ168QDJ.06-08B	Starter Rope	1
1.11	JF168FJH.06.01.02C	Handle, Recoil Starter	1
2	GB/T5789-1986	Bolt M6x8	3
3	QJ168QDJ.06.02.02B	Engine Side Cover Assy.	1
4	GB/T5789-1986	Bolt M6x10	6
5	QJ168QDJ.06.02.01	Shield 1	1
6	GB/T5789-1986	Bolt M6x20	1
7	QJ168QDJ.06.02-01	Shield 2	1
8	QJ168QDJ.06.02.01-03	Stem	1



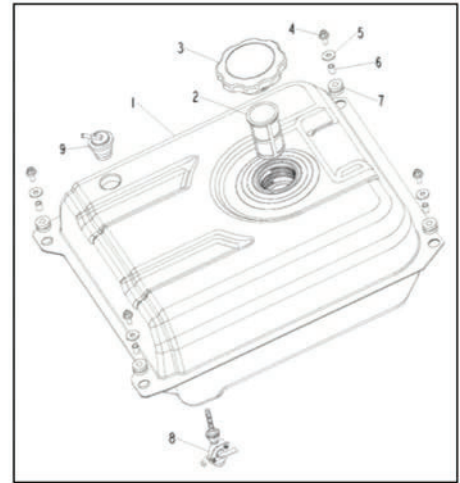
AIR CLEANER

NO.	PART NO.	DESCRIPTION	QTY
1	JF170FLH-2.07.01B	Air Filter Assembly	1
1.1	GB/T29.2-2013	Bolt M5 x 22	2
1.2	JF170FLH-2.07.01B-01	Air Filter Cover	1
1.3	JF170FLH-2.07.01B-02	Filter Element	1
1.4	JF170FLH-2.07.01B-03	Filter Element Mounting Base	1
1.5	JF170FLH-2.07.01B-04	Air Filter Case	1
2	QJ168QDJ.07.03C	Spacer	1
3	JF170FLH.07-01	Spacer	1
4	QJ168FJH-3.05-01	Breather Tube	1



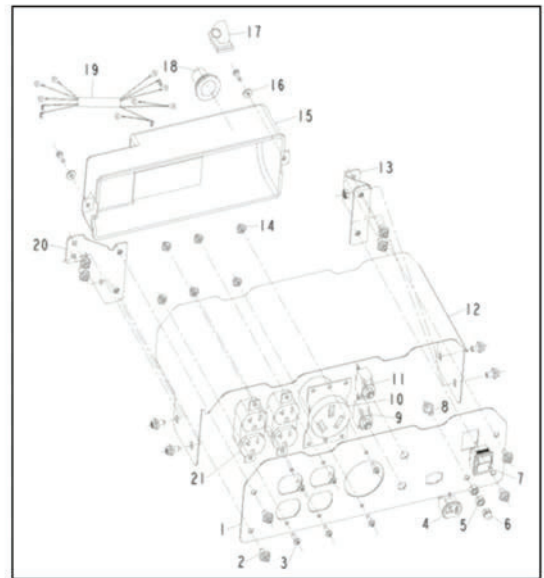
GAS TANK ASSEMBLY

NO.	PART NO.	DESCRIPTION	QTY
1	GEN4000DF-SS.01.01	Fuel Tank Comp	1
2	QJ2600.01-04A	Filtering Net	1
3	QJ2600.01.05	Gas Cap	1
4	GB/T5789-1986	Bolt M6 x20	4
5	GB/T96.2-2002	Washerφ 6	4
6	QJ2600.01-02	Spacer	4
7	QJ2600.01-01	Mounting Grommet	4
8	QJ2600.01.02	Fuel Petcock	1
9	QJ2900.08.02A	Oil spill valve	1



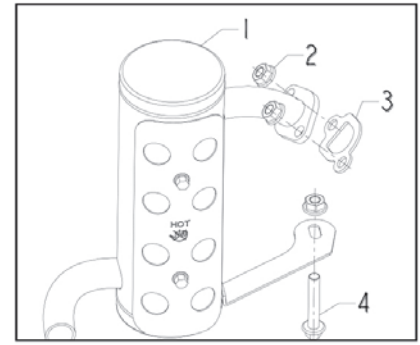
PANEL

NO.	PART NO.	DESCRIPTION	QTY
1	GEN4000DF-SS.02.01	Panel	1
2	GB/T5789-1986	Bolt M6x10	4
3	GB/T818-2000	Screw M4x12	8
4	QJ1500.02.06	T- Socket	1
5	GB/T6170-2000	Nut M6	2
6	GB/T923-1988	Nut M6	1
7	QJ1200.02.04	Engine Switch	1
8	GB/T5789-1986	Bolt M6x16	1
9	QJ6500.02.06	DC Protector 8A	1
10	KE4500E.02.03B	RV-socket	1
11	QJ2900.01.04	AC Protector 20A	1
12	GEN4000DF-SS.02.02	Panel Cover	1
13	GEN4000DF-SS.02.03	Right Bracket	1
14	GB/T6177.1-2000	Nut M4	6
15	GEN4000DF-SS.02.03	Bottom Shell	1
16	GB/T95 -2002	Washer φ 4	1
17	QJ1200.02-02A	Jacket	1
18	QJ6000.02-02	Sheath	1
19	GEN4000DF-SS.02.01	Cable	1
20	GEN4000DF-SS.02.02	Left Bracket	1
21	QJ3200.01.04	Socket of USA Standard	2



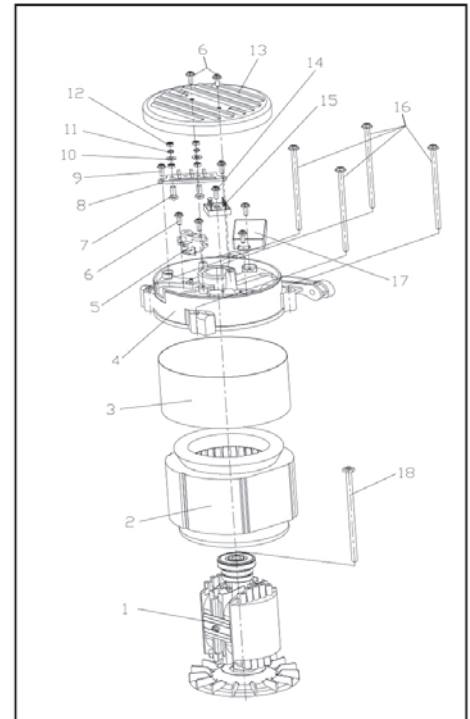
MUFFLER

NO	PART NO.	DESCRIPTION	QTY
1	QJ3500.05.01	Muffler (CARB)	1
2	GB/T6177.1-2000	NUT M8	3
3	QJ2500.05-01	Muffler Gasket	1
4	GB/T5789-1986	BOLT M8x35	1



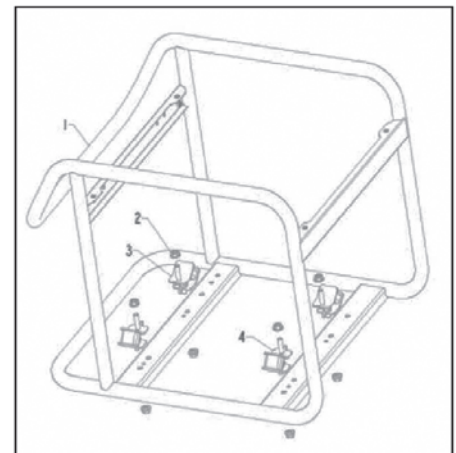
GENERATOR

NO	PART NO	DESCRIPTION	QTY
1	QJ3200.03.02	Rotor Assy.	1
2	QJ3200.03.01	Stator Assy.	1
3	QJ3200.01-01A	Alternator Cover	1
4	QJ2500.03-01	Motor Casing (End Cap)	1
5	QJ2300.03.03	Brush Module	1
6	GB/T5789-1986	Bolt M5x8	3
7	GB/T5781-2000	Bolt M5x20	2
8	QJ6000.03-03	Connecting Block	1
9	GB/T5789-1986	Bolt M5x12	4
10	GB/T6170 -2000	Spring Washer $\phi 5$	4
11	GB/T93-1987	Plate Washer $\phi 5$	4
12	GB/T6170 -2000	Nut M5	4
13	QJ2500.03-02	Right Side Cover	1
14	GB/T5789-1986	Bolt M5x17	2
15	QJ2500.03-04	Rectifier KB2506	1
16	GB/T5789-1986	Bolt M6x150	4
17	QJ2300.03.04	AVR	1
18	GB/T5789-1986	Bolt M8x230	1



FRAME

NO.	PART NO.	DESCRIPTION	QTY
1	GEN4000DF-SS.06.01	Frame Welding Components	1
2	GB/T6177.1-2000	Nut M8	8
3	QJ2600.08.02	Left & Right Shockproof Mounting Feet	2
4	QJ2500.06.03	Right Shockproof Mounting Feet	2



WIRING DIAGRAM

