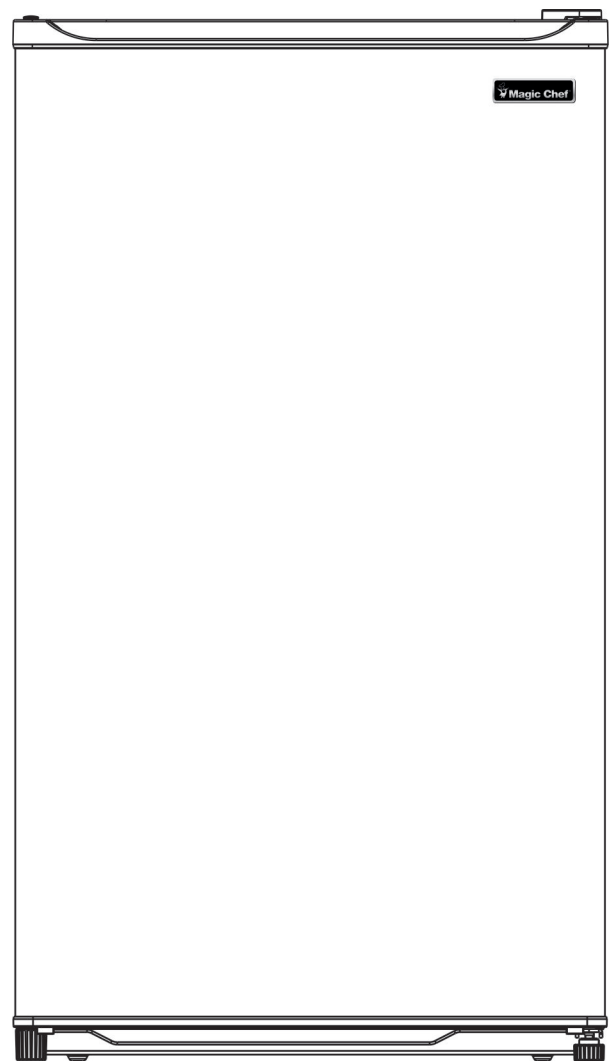




Magic Chef®

4.4 Cu. Ft. Compact Refrigerator

User's Manual



Model HMR440WE / HMR440BE / HMR440SE

**PLEASE READ THIS MANUAL CAREFULLY BEFORE USING YOUR
REFRIGERATOR AND KEEP IT FOR FUTURE REFERENCE.**



Product Registration

Thank you for purchasing a Magic Chef® product. The first step to protect your new product is to complete the product registration on our website: www.mcappliance.com/register. The benefits of registering your product include the following:

1. Registering your product will allow us to contact you regarding a safety notification or product update.
2. Registering your product will allow for more efficient warranty service processing when warranty service is required.
3. Registering your product could act as your proof of purchase in the event of insurance loss.

Once again, thank you for purchasing a Magic Chef® product.

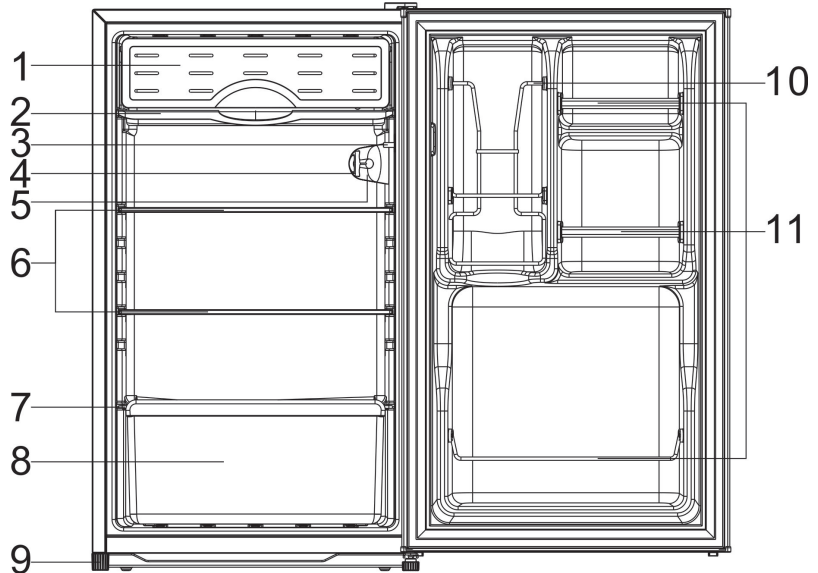
TABLE OF CONTENTS

NAMES OF THE PARTS.....	3
SPECIFICATIONS.....	3
IMPORTANT SAFETY INSTRUCTIONS.....	4
INSTALLATION INSTRUCTION	
BEFORE USING YOUR REFRIGERATOR	5
INSTALLING YOUR REFRIGERATOR	5
ELECTRICAL CONNECTION.....	6
OPERATING YOUR REFRIGERATOR	
TEMPERATURE CONTROL.....	7
THE CHILLER COMPARTMENT.....	7
HOW TO DEFROST	7
HOW TO CHANGE THE INTERIOR LIGHT.....	8
CHANGING THE REVERSIBLE DOOR	9
CARE AND MAINTENANCE	
CLEANING YOUR REFRIGERATOR.....	10
VACATION TIME.....	10
MOVING YOUR REFRIGERATOR.....	10
ENERGY SAVING TIPS.....	10
TROUBLESHOOTING GUIDE.....	11-12
REFRIGERATOR WARRANTY.....	13

NAMES OF THE PARTS

MODEL NO. HMR440WE / HMR440BE / HMR440SE

- (1) Freezer Compartment
- (2) Drain Pan
- (3) Interior Light Switch
- (4) Temperature Control Dial
- (5) Temperature Control Box
- (6) Glass Shelves
- (7) Crisper Cover
- (8) Crisper
- (9) Leveling Leg
- (10) Can Dispenser
- (11) Rack



⚡WARNING⚡ : Never touch the interior of the Freezer Chamber or frozen foods in the compartment with wet hands as this could result in frost bite.

SPECIFICATIONS

Model # HMR440WE / HMR440BE / HMR440SE

Product Description	Magic Chef Refrigerator		
Model No.	HMR440WE / HMR440BE / HMR440SE		
Capacity	4.4 Cu. Ft.		
Unit Dimensions (inches)	Width	Height	Depth
	19.1"	32.9"	22.7"
Net Weight (lbs)	55.3 (lbs)		

IMPORTANT SAFETY INSTRUCTIONS



To reduce the risk of fire, electrical shock, or injury follow these basic precautions when using your refrigerator.

- 1) **WARNING**----Keep ventilation openings in the appliance enclosure or in the built-in structure clear of obstruction.
- 2) **WARNING**----Do not touch the interior of the chiller compartment with wet hands. This could result in frost bite.
- 3) **WARNING**----Do not use mechanical devices or other means to accelerate the defrosting process, other than those recommended by the manufacturer.
- 4) **WARNING**----Do not damage the refrigerant circuit when handling, moving, or using the refrigerator.
- 5) **WARNING**----Do not use electrical appliances inside the food storage compartment of the refrigerator, unless they are of the type recommended by the manufacturer.
- 6) **WARNING--DANGER**--Never allow children to play with, operate, or crawl inside the refrigerator.
Risk of child entrapment. Before you throw away your old refrigerator:
 1. Take off the doors;
 2. Leave the shelves in place so that children may not easily climb inside.
- 7) Unplug the refrigerator before carrying out user maintenance on it.
- 8) This appliance is not intended for use by persons (including children) with reduced physical, sensory or mental capabilities, or lack of experience and knowledge, unless they have been given supervision or instruction concerning use of the appliance by a person responsible for their safety. Children should be supervised to ensure that they do not play with the appliance.
- 9) If a component part is damaged, it must be replaced by the manufacturer, its service agent, or similar qualified persons in order to avoid a hazard.
- 10) Please dispose of the refrigerator according to local regulations as the refrigerator contains flammable gas and refrigerant.
- 11) Follow local regulations regarding disposal of the refrigerator due to flammable refrigerant and gas. All refrigeration products contain refrigerants, which under the guidelines of federal law must be removed before disposal. It is the consumer's responsibility to comply with federal and local regulations when disposing of this product.
- 12) This refrigerator is intended to be used in household and similar environments.
- 13) Do not store or use gasoline or any flammable liquids inside or in the vicinity of this refrigerator.
- 14) Do not use extension cords or ungrounded (two prong) adapters with this refrigerator. If the power cord is too short, have a qualified electrician install an outlet near the refrigerator. Use of an extension cord can negatively affect the refrigerator's performance.
- 15) If the supply cord is damaged, it must be replaced by the manufacturer, its service agent or similarly qualified person in order to avoid a hazard.



IMPORTANT SAFETY INSTRUCTIONS

⚡ WARNING ⚡	To reduce the risk of fire, electrical shock, or injury when using your refrigerator, follow these basic precautions:
<ul style="list-style-type: none">• Read all instructions before using the refrigerator.• DANGER or WARNING: Risk of child entrapment.• To avoid the possibility of child entrapment, please take the following precautions before throwing out the refrigerator.<ul style="list-style-type: none">- Remove all doors from the unit.- Leave the shelves in place so that children may not easily climb inside.• Never allow children to operate, play with, or crawl inside the refrigerator.• Refrigerants: All refrigeration products contain refrigerants, which under the guidelines of federal law must be removed before disposal of product. It is the consumer's responsibility to comply with federal and local regulations when disposing of this product.• Never clean refrigerator parts with flammable fluids. The fumes can create a fire hazard or explosion.• Do not store or use gasoline or any other flammable vapors and liquids in the vicinity of this or any other refrigerator. The fumes can create a fire hazard or an explosion. <p style="text-align: center;">-Save these instructions-</p>	

INSTALLATION INSTRUCTIONS

Before Using Your Refrigerator

- Remove the exterior and interior packing.
- Before connecting the refrigerator to the power source, let it stand upright for approximately 4 hours. This will reduce the possibility of a malfunction in the cooling system from improper handling during transportation.
- Clean the interior surface with lukewarm water using a soft cloth. (Cleaning instruction on page10)

Installing Your Refrigerator

- This appliance is designed to be free standing only, and should not be recessed or built-in.
- Place your refrigerator on a floor that is strong enough to support the refrigerator when it is fully loaded.
- Allow 5 inches of space between the back and sides of the refrigerator, which allows the proper air ventilation. Adjust the feet to keep the refrigerator level.
- Locate the refrigerator away from direct sunlight and sources of heat (stove, heater, radiator, etc.). Direct sunlight may affect the acrylic coating and heat sources may increase electrical consumption. Ambient temperature below 50°F (10°C) or above 85°F (29.4°C) will hinder the performance of this appliance. **This unit is not designed for use in a garage or any other outside installation.**
- Avoid locating the refrigerator in moist areas.
- Plug the refrigerator into dedicated, properly installed-grounded wall outlet. Do not under any circumstances cut or remove the third (ground) prong from the power cord. Any questions concerning power and/or grounding should be directed toward a certified electrician or an authorized service center. **This unit is not designed to be installed in an RV or used with an inverter.**
- After plugging the appliance into a wall outlet, turn the unit on and allow the unit to cool down for 2~3 hours under before placing food in the refrigerator or freezer compartment.

Electrical Connection

⚡WARNING⚡

Improper use of the grounded plug can result in the risk of electrical shock. If the power cord is damaged, have it replaced by an authorized service center.

This refrigerator should be properly grounded for your safety. The power cord of this refrigerator is equipped with a three-prong plug which mates with standard three prong wall outlets to minimize the possibility of electrical shock.

Do not, under any circumstances, cut or remove the third ground prong from the power cord supplied.

This refrigerator requires a standard 115/120 Volt A.C. ~/60Hz electrical outlet with three-prong ground.

This refrigerator is not designed to be used with an inverter.

The cord should be secured behind the refrigerator and not left exposed or dangling to prevent accidental injury.

Never unplug the refrigerator by pulling the power cord. Always grip the plug firmly and pull straight out from the receptacle.

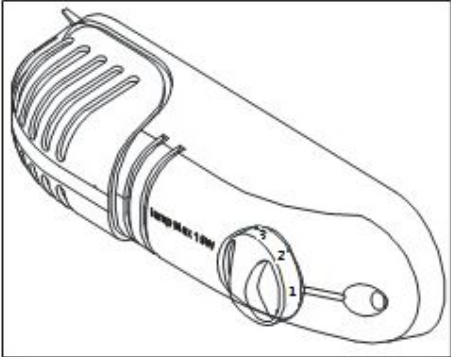
Do not use an extension cord with this appliance. If the power cord is too short, have a qualified electrician or service technician install an outlet near the appliance. Use of an extension cord can negatively affect the performance of the unit.

If any problems with the appliance persist, please contact our Customer Service Dept. to consult with a representative at **888 775-0202** or visit our website to request warranty service at **www.mcappliance.com**.

Do not attempt to repair or replace any part of your refrigerator unless it is specifically recommended in this manual. All other servicing should be referred to a qualified technician, so as to minimize the risk of possible ignition due to incorrect parts or improper service.

OPERATING YOUR REFRIGERATOR

Temperature Control

- Your refrigerator has one control for regulating the temperature. The temperature control is located on the upper right hand corner of the interior compartment.
 - The first time you turn the unit on, adjust the temperature control knob to "7" and run for at least 2 hours before putting foods inside. This will ensure the cabinet is thoroughly chilled before food is put in.
 - The range of the refrigerator temperature control is from position "1" the cold to "7" the coldest. Adjust the temperature control to the setting that best suits your needs. The setting of "4" should be appropriate for home or office refrigerator use.
 - Turning the temperature control knob to "0" position stops the cooling cycle but does not shut off the power to the unit.
- 
- **NOTE;**
 - If the unit is unplugged, loses power; you must wait 3 to 5 minutes before restarting the unit. If you attempt to restart before this time delay, the refrigerator will not start.
 - Large amounts of food will lower the cooling efficiency of the appliance.
 - Do not place the foods on the air outlet, and leave spaces for airflow.
 - If you choose to change the thermostat setting, adjust thermostat control by one increment at a time. Allow several hours for temperature to stabilize between adjustments.

The Chiller Compartment

- This compartment is designed for the ice making and short-term storage of some commercially frozen foods.
- The temperature of the chiller compartment may not reach temperature low enough to store frozen foods safely and works well when the food is already frozen prior to storage.
- Place frozen food into the freezer as quickly as possible after purchase. If there are instructions on the packet, carefully follow these instructions regarding storage times.

How To Defrost

Defrost the freezer compartment when the ice / frost is approximately ¼" thick. Set the thermostat dial to "0" to defrost. Remove all contents from the freezer compartment. Leave the freezer door open to allow accumulated ice / frost to melt. Remove large pieces of ice as needed. Do not use hot water or other electric heating devices to melt the accumulated ice. After defrosting, remove accumulated ice / water and wipe the freezer compartment dry with a soft cloth. Restart the unit per starting instructions.

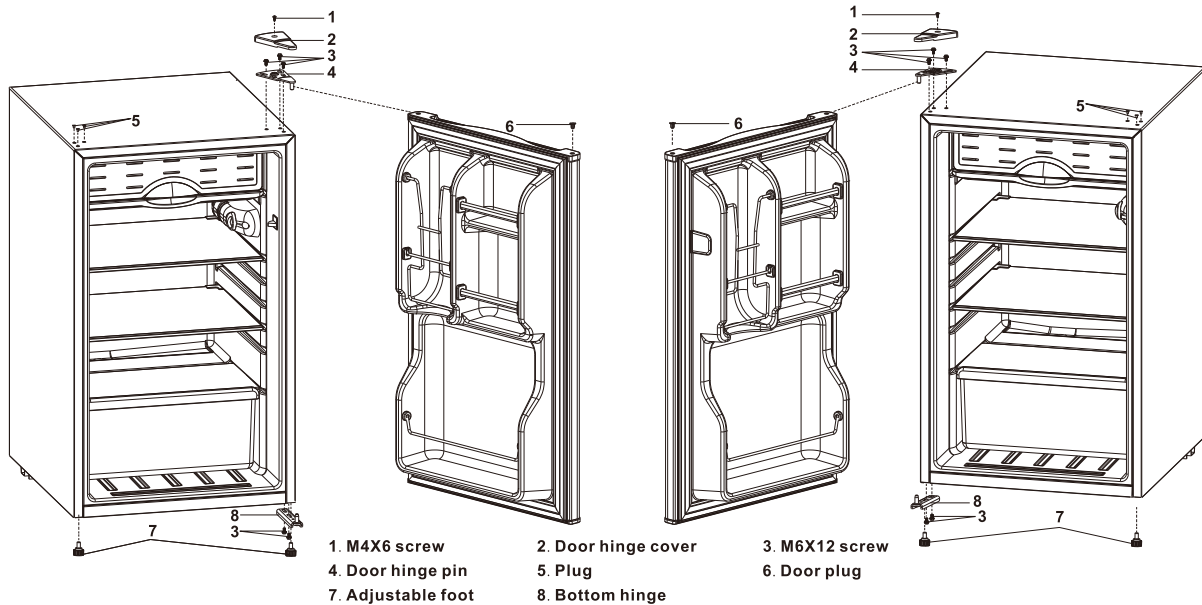
How To Change the interior light

NOTE: All parts removed must be saved to do the reinstallation of the light bulb. Before removing the light bulb, unplug the appliance from the power supply. Failure to do so could result in electrical shock or personal injury.

1. Remove the lamp cover by unscrewing.
2. Unscrew old bulb from the lower hole at the thermostat control box.
3. Replace the new bulb of the same voltage and screw size.
4. Re-install the lamp cover by screwing.

CHANGING THE REVERSIBLE DOOR

CAUTION: To avoid personal injury to yourself and/or property, we recommend someone assist you during the door reversal process.



Your refrigerator is built with a reversible door. You have the choice of either opening it from the left or the right side. In order to reserve the opening direction of your door, please follow these simple instructions:

<ol style="list-style-type: none"> Remove the hinge cover on the right top of the cabinet. Remove the two screws (using a ratchet tool with a 7/16" socket) that hold the top hinge to the cabinet. Keep these screws for later use. Lift the top hinge straight up to free the pin from the socket on the top of the door. Lift the door and place it on a padded surface to prevent scratching it. 	<p>Hinge cover Top hinge</p>
<ol style="list-style-type: none"> Remove the plug buttons from the upper left holes as illustrated and transfer them to the uncovered holes at the right side. Be sure to press the plug buttons firmly into the holes. Remove the door plug from the door upper left holes as illustrated and transfer them to the uncovered holes at the right side. Be sure to press the door plug firmly into the holes. 	<p>Plug button Door plug</p>
<ol style="list-style-type: none"> Lay the cabinet on its side down on the floor. Remove the three screws that hold the bottom hinge to the cabinet using a 7/16" socket. Keep these screws for later use. Insert the bottom hinge at the left side using the two screws previously removed in step 6. NOTE: Do not tighten screws. Stand the cabinet. Replace the door making sure the bottom socket enters the bottom hinge pin. 	<p>bottom hinge</p>
<ol style="list-style-type: none"> While holding the door in the closed position, secure the top hinge at the left side using the two screws previously removed at the beginning in step 2. Do not tighten the screws until the top of the door is leveled with the top cabinet. Replace the hinge cover. 	
<ol style="list-style-type: none"> Replace plugs. Tools Required: <ul style="list-style-type: none"> - 7/16" socket-ratchet. - Putty knife or thin-blade screwdriver. 	

CARE AND MAINTENANCE

Cleaning Your Refrigerator

- Upon installation of your new appliance, it is recommended that it be cleaned thoroughly.
- Turn the temperature control knob to “0” and then unplug the unit from the wall outlet.
- Remove all food content.
- Wash the inside with a damp warm cloth soaked in lukewarm water and baking soda solution. The solution should be about 2 tablespoons of baking soda to a quart of water.
- Be sure to keep the door gasket (seal) clean to keep the unit running efficiently.
- The outside of the refrigerator should be cleaned with mild detergent and warm water.
- Dry the interior and exterior with a soft cloth.

Vacation Time

- Turn the temperature control knob to “0” and then unplug the unit from the wall outlet.
- Remove all the food.
- Clean the refrigerator.
- Leave the door open slightly to avoid possible formation of condensation, mold, or odor.
- Use extreme caution in the case of children. The unit should not be accessible to child’s play.
- **Short vacations:** Leave the refrigerator operating during vacations of less than three weeks.
- **Long vacations:** If the appliance will not be used for several months, remove all food and unplug the power cord. Clean and dry the interior thoroughly. To prevent odor and mold growth, leave the door open slightly: blocking it open if necessary or have the door removed.

Moving Your Refrigerator

- Turn the temperature control knob to “0” and then unplug the unit from the wall outlet.
- Remove all the food.
- Securely tape down all loose items inside your refrigerator.
- Tape the doors shut.
- Be sure the refrigerator stays in the upright position during transportation.

Energy Saving Tips

- The refrigerator should be located in the coolest area of the room, away from heat producing appliances or heating ducts, and out of the direct sunlight.
- Let hot foods cool to room temperature before placing in the refrigerator. Overloading the refrigerator forces the compressor to run longer. Foods that freeze too slowly may lose quality, or spoil.
- Be sure to wrap foods properly, and wipe containers dry before placing them in the refrigerator. This cuts down on frost build-up inside the refrigerator.
- Organize and label food to reduce door openings and extended searches. Remove as many items as needed at one time, and close the door as soon as possible.

TROUBLESHOOTING GUIDE

You can solve many common refrigerator problems easily, saving you the cost of a possible service call. Try the suggestions below to see if you can solve the problem before calling for service.

PROBLEM	POSSIBLE CAUSE
Refrigerator does not operate.	Not plugged in. The circuit breaker tripped or a blown fuse.
Compressor turns on and off frequently.	The room temperature is hotter than normal. A large amount of food has been added to the refrigerator. The door is opened too often. The door is not closed completely. The temperature control is not set correctly. The door gasket does not seal properly. The refrigerator does not have the correct clearances. The refrigerator has recently been disconnected for a period of time. 4 hours are required for the refrigerator to cool down completely.
Temperature inside the refrigerator is too warm.	Temperature control is set too warm. Turn the control to a cooler setting and allow several hours for the temperature to stabilize. Door is kept open too long or is opened too frequently. Warm air enters the refrigerator every time the door is opened. Open the door less often. The door is not closed completely. The door gasket does not seal properly. A large amount of warm or hot food might have been stored recently. Wait until the refrigerator has had a chance to reach its selected temperature. The refrigerator has recently been disconnected for a period of time. 4 hours are required for the refrigerator to cool down completely.
Temperature inside the refrigerator is too cold.	Temperature control is set too cold. Turn the control to a warmer setting and allow several hours for the temperature to stabilize.
Temperature of external refrigerator surface is warm.	The exterior refrigerator walls can be as much as 30°F warmer than room temperature. This is normal while the compressor works to transfer heat from inside the refrigerator cabinet.
Popping or cracking sound when compressor comes on.	Metal parts undergo expansion and contraction, as in hot water pipes. This is normal. Sound will level off or disappear as refrigerator continues to run.
Bubbling or gurgling sound, like water boiling.	Refrigerant (used to cool refrigerator) is circulating throughout the system. This is normal.
Vibrations.	Check to assure that the refrigerator is on a level surface. Floor is uneven or weak. Refrigerator rocks on the floor when it is moved slightly. Be sure floor can adequately support refrigerator. Level the refrigerator by putting wood or metal shims under

	<p>part of the refrigerator. The refrigerator is touching the wall. Re-level the refrigerator and move it from the wall. See "Installation Instructions".</p>
Moisture forms on inside refrigerator walls.	<p>Weather is hot and humid, which increases internal rate of frost build-up. This is normal. Door is slightly open. Door is kept open too long, or is opened too frequently. Open the door less often. The door is not sealed properly.</p>
Moisture forms on outside of refrigerator.	<p>Door is slightly open, causing cold air from inside the refrigerator to meet warm moist air from outside.</p>
The door will not close properly.	<p>The refrigerator is not on a level surface. The gasket is dirty.</p>



Limited Warranty

MC Appliance Corporation warrants each new Compact Refrigerator to be free from defects in material and workmanship, and agrees to remedy any such defect or to furnish a new part(s), at the company's option, for any part(s) of the unit that has failed during the warranty period. Parts and labor expenses are covered on this unit for a period of one year from the date of purchase. A copy of the dated sales receipt or invoice is required to receive warranty service, replacement or refund.

In addition, MC Appliance Corporation warrants the compressor (parts only) to be free from defects in material and workmanship for a period of five years. The consumer is responsible for all labor and transportation expenses related to the diagnosis and replacement of the compressor after the initial one-year warranty expires. In the event the unit requires replacement or refund under the terms of this warranty, the consumer is responsible for all transportation expenses to return the unit to our factory prior to receiving a replacement unit or refund. A copy of the dated sales receipt/invoice is required to receive warranty service, replacement or refund.

This warranty covers appliances in use within the contiguous United States, Alaska, Hawaii and Puerto Rico. This warranty does not cover the following:

- Damages due to shipping damage or improper installation.
- Damages due to misuse or abuse.
- Content losses due to failure of the unit.
- Inside components such as door panels, door shelves, racks, light bulbs, etc.
- Repairs performed by unauthorized service agents.
- Service calls that do not involve defects in material and workmanship such as instructions on proper use of the product or improper installation.
- Replacement or resetting of house fuses or circuit breakers.
- Failure of this product if used for other purposes than its intended purpose.
- Disposal costs for any failed unit not returned to our factory.
- Any delivery/installation costs incurred as the result of a unit that fails to perform as specified.
- Expenses for travel and transportation for product service if your appliance is located in a remote area where service by an authorized service technician is not available.
- The removal and reinstallation of your appliance if it is installed in an inaccessible location or is not installed in accordance with published installation instructions.
- Refunds for non repairable products are limited to the price paid for the unit per the sales receipt.
- This warranty is non transferable. This warranty applies only to the original purchaser and does not extend to any subsequent owner(s).

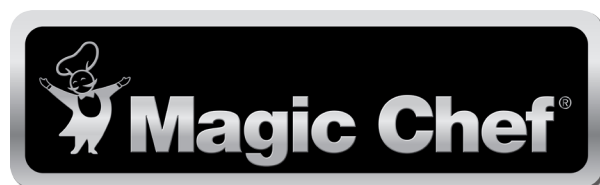
Limitations of Remedies and Exclusions:

Product repair in accordance with the terms herein, is your sole and exclusive remedy under this limited warranty. Any and all implied warranties including merchantability and fitness for a particular purpose are hereby limited to one year or the shortest period allowed by law. MC Appliance Corporation is not liable for incidental or consequential damages and no representative or person is authorized to assume for us any other liability in connection with the sale of this product. Under no circumstances is the consumer permitted to return this unit to the factory without the prior written consent of MC Appliance Corporation.

Some states prohibit the exclusion or limitation of incidental or consequential damages, or limitations on implied warranties. This warranty gives you specific legal rights, and you may also have other rights which vary from state to state.

Model	Parts & Labor	Compressor (Parts Only)	Type of Service
HMR440WE	One Year	Five Years	Carry In
HMR440BE	One Year	Five Years	Carry In
HMR440SE	One Year	Five Years	Carry In

For Service or Assistance please call **888-775-0202** or visit us on the web at www.mcappliance.com to request warranty service or order parts.



**CNA International, Inc. d/b/a MC Appliance Corporation. All rights reserved.
Magic Chef® logo is a registered trademark of CNA International, Inc.**

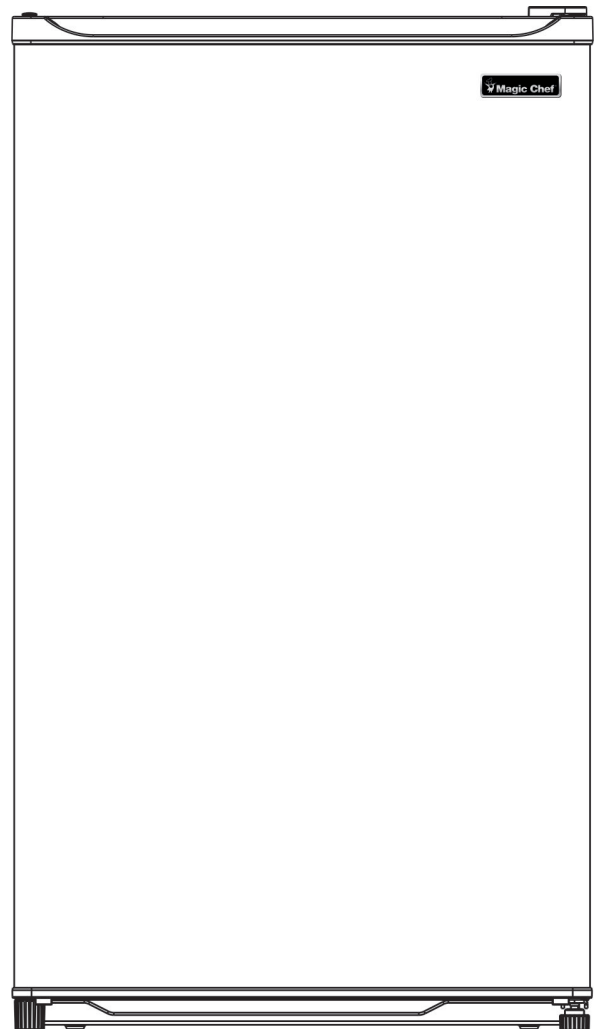
www.mcappliance.com

Printed in China



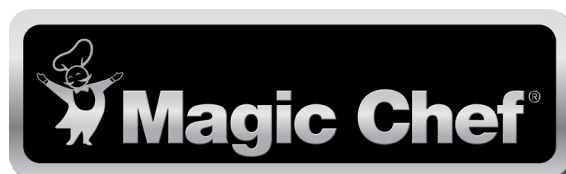
Refrigerador compacto de 4.4 pies cúbicos

Manual del usuario



Modelo HMR44 . WE / HMR44 . BE / HMR44 . SE

**LEA ESTE MANUAL ANTES DE UTILIZAR SU REFRIGERADOR Y GUÁRDELO
PARA FUTURA REFERENCIA.**



Registración del producto

Gracias por comprar el producto Magic Chef®. El primer paso para proteger su nuevo producto es completar la forma de registración en nuestra página web: www.mcappliance.com/register. Los beneficios de registrar su producto incluyen lo siguiente:

1. Al registrar su producto nos permite contactarle para notificarle de un cambio de seguridad o actualización del producto.
2. Si llegara a necesitar servicio bajo garantía, registrando su producto nos permite ser más eficiente en procesar el servicio.
3. En el evento que usted tenga una pérdida que esta cubierto por un seguro, registrando su producto puede servir como prueba de su compra.

Una vez más gracias por comprar un producto marca Magic Chef®.

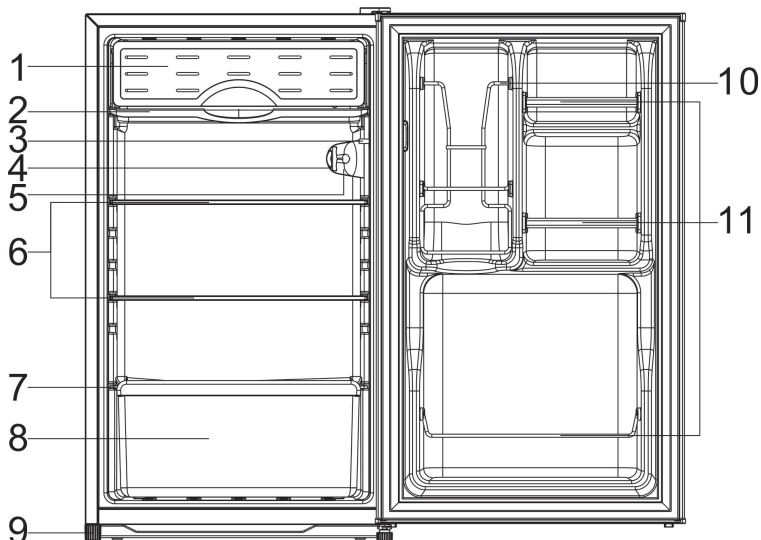
INDICE DE MATERIAS

EL NOMBRE DE LAS PARTS.....	3
ESPECIFICACIONES.....	3
LAS INSTRUCCIONES IMPORTANTES DE LA SEGURIDAD	4
INSTRUCCIONES DE INSTALACIÓN	
ANTES DE UTILIZAR SU APARATO	5
INSTALACIÓN DE SU REFRIGERADOR.....	5
CONEXIÓN ELÉCTRICA.....	6
OPERAR EL REFRIGERADOR	
CONTROL DE TEMPERATURA.....	7
EL COMPARTIMIENTO REFRIGERADO.....	7
CÓMO DESHELAR.....	8
CAMBIO DE LA BOMBILLA DE LUZ.....	8
CAMBIAR LAS PUERTAS REVERSIBLES	9
CUIDE Y LA CONSERVACIÓN	
PARA LIMPIAR SU APARATO.....	10
EN LAS VACACIONES	10
PARA CAMBIAR DE LUGAR SU APARATO.....	10
RECOMENDACIONES PARA AHORRAR ENERGÍA.....	10
GUÍA DE RESOLUCIÓN DE PROBLEMAS.....	11-12
GARANTIA DE APARATO	13

EL NOMBRE DE LAS PARTS

MODEL NO. HMR440WE / HMR440BE / HMR440SE

- (1) El compartimiento del congelador
- (2) Bandeja colectora
- (3) Interruptor de la luz interior
- (4) Dial de control de temperatura
- (5) Caja de control de temperatura
- (6) Estantes de vidrio
- (7) Tapa de la cubierta
- (8) Crisper
- (9) Pata de nivelación
- (10) Compartimiento para latas
- (11) Rejilla



⚡ ADVERTENCIA ⚡: Nunca toque el interior de la Cámara del Congelador ni alimentos congelados en el compartimiento con manos mojadas como esto podría tener como resultado cubre de escarcha la mordedura

ESPECIFICACIONES

Modelo

HMR440WE / HMR440BE / HMR440SE

Descripción Del Producto	REFRIGERADOR MAGIC CHEF		
No Modelo	HMR440WE / HMR440BE / HMR440SE		
Capacidad	4.4 Cu. Ft.		
Dimensiones (pulgadas) de unidad	Anchura	Altura	Profundidad
	19.1"	32.9"	22.7"
Peso neto (lbs)	55.3(lbs)		

LAS INSTRUCCIONES IMPORTANTES DE LA SEGURIDAD



To Para reducir el riesgo de incendio, choque eléctrico o lesiones, siga estas precauciones básicas al usar su refrigerador.

- 1) **ADVERTENCIA**----Mantenga las aberturas de ventilación del aparato en un lugar o en una estructura integrada sin obstrucciones.
- 2) **ADVERTENCIA**----No toque el interior del compartimento enfriador con las manos mojadas. Esto podría dar lugar a la congelación.
- 3) **ADVERTENCIA**----No utilice dispositivos mecánicos u otros medios para acelerar el proceso de descongelación, que no sean los recomendados por el fabricante.
- 4) **ADVERTENCIA**----No dañe la tubería del refrigerante al manipular, mover o al usar el refrigerador.
- 5) **ADVERTENCIA**----No utilice aparatos eléctricos en el interior del compartimento para alimentos del refrigerador, a menos que sean del tipo recomendados por el fabricante.
- 6) **ADVERTENCIA--PELIGRO**--Nunca permita que los niños jueguen, operen o se introduzcan en el refrigerador.
Riesgo de encerramiento accidental para los niños. Antes de desechar su refrigerador viejo:
 1. Retire las puertas;
 2. Deje los anaqueles en su lugar para impedir que los niños puedan meterse fácilmente dentro de la unidad.
- 7) Desenchufe el refrigerador antes de llevar a cabo el mantenimiento de usuario en él.
- 8) Este electrodoméstico no está diseñado para ser utilizado por personas con discapacidades físicas, sensoriales o mentales (incluidos niños) o con falta de experiencia y conocimiento, a menos que sean supervisados? o instruidos acerca del uso del aparato por una persona responsable de su seguridad. Los niños deberían ser supervisados para asegurar que no juegan con el aparato.
- 9) Si un componente está dañado, debe ser reemplazado por el fabricante, su agente de servicio o por personal similar calificado con el fin de evitar peligro.
- 10) Deseche el refrigerador de acuerdo con las normativas locales ya que el refrigerador contiene gas inflamable y refrigerante.
- 11) Siga las normas locales acerca del deshecho del refrigerador debido al refrigerante y gas inflamable. Todos los productos de refrigeración contienen refrigerantes, los cuales bajo las pautas de la ley federal deben ser removidos antes su deshecho. Es la responsabilidad del consumidor de cumplir con las regulaciones federales y locales para el deshecho de este producto.
- 12) Este refrigerador está diseñado para ser utilizado en los hogares y ambientes similares.
- 13) No almacene ni use gasolina u otros líquidos inflamables en el interior o en las proximidades de este refrigerador.
- 14) No utilice cables de extensión o adaptadores sin conexión a tierra (de dos clavijas) con este refrigerador. Si el cable de alimentación es demasiado corto, haga que un electricista calificado instale un tomacorriente cerca del refrigerador. El uso de un cable de extensión puede afectar negativamente al rendimiento del refrigerador.
- 15) Si el cable de alimentación está dañado, tendrá que estar reemplazado por el fabricante, su agente de servicio técnico o una persona igualmente calificada con el fin de evitar cualquier peligro.



LAS INSTRUCCIONES IMPORTANTES DE LA SEGURIDAD

⚡ ADVERTENCIA ⚡	Para reducir el riesgo de incendios, golpes de corriente o lesiones cuando utilice su aparato, sírvase tener en cuenta las siguientes recomendaciones básicas:
<ul style="list-style-type: none">• Lea atentamente todas las instrucciones antes de usar el aparato.• EI PELIGRO o ADVIRTIENDO: Riesgo de que los niños queden atrapados.• Para evitar este riesgo, sírvase observar las siguientes recomendaciones antes de lanzar fuera del aparato.<ul style="list-style-type: none">- Retire la tapa del aparato.- Deje los estantes en lugar de modo que los niños no puedan subir fácilmente adentro.• No deje que los niños usen el aparato, jueguen con él o se introduzcan en el interior.• Refrigerantes: Todos los productos de la refrigeración contienen los refrigerantes, que debajo de las pautas de la ley federal se deben quitar antes de la disposición del producto. Es la responsabilidad del consumidor conformarse con regulaciones federales y locales al disponer de este producto.• No limpie las partes del aparato con productos inflamables. Los vapores pueden originar un incendio o explosión.• No almacene ni use gasolina ni ningún otro gas o líquido inflamable cuando se encuentre cerca de este aparato u otro. Los vapores pueden originar un incendio o explosión. <p style="text-align: center;">-Excepto estas instrucciones-</p>	

INSTRUCCIONES DE INSTALACIÓN

ANTES DE UTILIZAR SU APARATO

- Retire el material de embalaje del exterior e interior.
- Antes de conectar el aparato a la fuente de alimentación, déjelo en posición vertical durante 4 horas aproximadamente. De esta forma, se reducirá la posibilidad de mal funcionamiento del sistema de refrigeración debido a manipulación incorrecta durante el traslado.
- Limpie la superficie interior con agua tibia y paño suave. (Limpiando la instrucción en la página 10)

INSTALACIÓN DE SU REFRIGERADOR

- Este electrodoméstico está diseñado para funcionar apoyado sobre el piso y no debe empotrarse ni embutirse en la pared.
- Coloque el Refrigerador sobre un piso que sea lo suficientemente resistente como para sostener el peso del electrodoméstico cuando esté cargado.
- Deje el Refrigerador separado 5 pulgadas de las paredes atrás y de los costados para que haya buena circulación de aire. Ajuste los pies para mantener el refrigerador llano.
- Ubique el Refrigerador fuera de la luz directa del sol y otras fuentes de calor (horno, calentador, radiador, etc.). La luz directa del sol puede afectar la cubierta de acrílico y las fuentes de calor pueden aumentar el consumo eléctrico. La temperatura ambiente debajo de 50°F (10°C) o sobre 85°F (29.4°C) obstaculizará el funcionamiento de esta aplicación. **Esta unidad no se diseña para el uso en un garage o ninguna otra instalación exterior.**
- No coloque el Refrigerador en ambientes húmedos.

- Enchufe el Refrigerador en un toma corriente con la debida descarga a tierra utilizado exclusivamente para este aparato. No corte ni retire la tercera pata (descarga a tierra) del enchufe bajo ninguna circunstancia. Cualquier duda relacionada con la red de electricidad y/o la descarga a tierra debe resolverse con un electricista certificado o un centro de servicios autorizado. **Esta unidad no se diseña para ser instalada en un RV o para ser utilizada con un inversor.**
- Después de enchufar en el tomacorriente de pared, prende la unidad y permite la unidad enfríe durante 2 ó 3 horas antes de colocar alimentos en el interior.

CONEXIÓN ELÉCTRICA

⚡ ADVERTENCIA ⚡

El uso indebido de la descarga a tierra puede causar golpes de corriente. Si el cable de alimentación está dañado, hágalo reemplazar con un service autorizado.

El aparato debe estar adecuadamente conectado a tierra para su seguridad. El cable de electricidad de este electrodoméstico cuenta con un enchufe de tres patas apto para los tomacorrientes de pared con tres patas para minimizar las posibilidades de golpes de corriente.

No corte ni retire la tercera pata de descarga a tierra del enchufe bajo ninguna circunstancia.

Este equipo debe conectarse a un toma corriente de tres patas con descarga a tierra instalado en una red estándar de electricidad con corriente 115 Volt A.C. ~/60Hz.

Este aparato no se diseña para ser utilizado con un inversor.

El cable debe mantenerse recogido detrás del Aparato; no debe dejarse a la vista ni colgando para prevenir accidentes.

No desenchufar tirando del cable. Tome el enchufe con firmeza y tire en dirección opuesta al receptáculo.

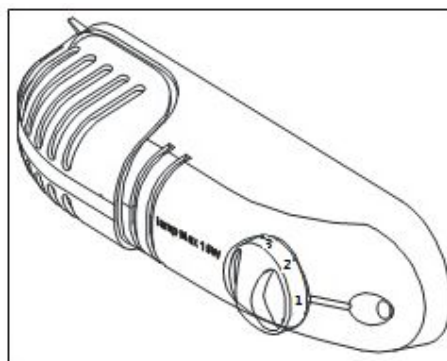
No utilice prolongaciones para conectar este aparato. Si el cable es muy corto, llame a un electricista o técnico calificado para que instale un toma corriente cerca del equipo. El uso de cables de prolongación puede perjudicar el funcionamiento de la unidad.

Si persisten algunos problemas con la aplicación, entre en contacto con por favor nuestro departamento del servicio de cliente para consultar con un representante en **888 775-0202** o visite nuestro Web site para solicitar servicio de la garantía en **www.mcappliance.com**.

OPERAR EL REFRIGERADOR

CONTROL DE TEMPERATURA

- La unidad tiene un control para regular la temperatura. El control de la temperatura está situado en la esquina superior de la mano derecha del compartimiento interior del refrigerador.
- La primera vez que usted gira la unidad, ajuste la perilla del control de la temperatura a "7" y funcione por lo menos 2 horas antes de poner los alimentos congelados adentro. De esta forma, el gabinete estará suficientemente refrigerado antes de colocar los alimentos.
- Las temperaturas del control varían desde la posición "1", el frío, hasta "7", la más fría. Elija la temperatura más conveniente para sus necesidades y fíjela en el control. La posición "4" debería ser la indicada para el uso en el hogar o en la oficina.
- Dar vuelta a la perilla del control de la temperatura "0" posiciones para el ciclo que se refresca pero no apaga la energía a la unidad.



- **NOTA;**
- Si se desenchufa la unidad, pierde energía; usted debe esperar 3 a 5 minutos antes de recomenzar la unidad. Si intenta volver a ponerla en funcionamiento antes de transcurrido ese período, el Refrigerador no funcionará.
- Las grandes cantidades de alimentos disminuyen la capacidad de enfriamiento del aparato.
- No coloque los alimentos en el enchufe de aire, y deje los espacios para la circulación de aire.
- Si decide modificar el valor fijado en el termostato, ajústelo modificando de a un número por vez. Cada vez que realiza un ajuste, deje pasar varias horas para que se establezca la temperatura..

EI COMPARTIMIENTO REFRIGERATO

- Este compartimiento está diseñado para la fabricación de hielo y para guardar transitoriamente alimentos que se venden congelados.
- Es posible que el compartimiento no alcance temperaturas lo suficientemente bajas como para que los alimentos se mantengan congelados en forma segura; funciona adecuadamente cuando los alimentos ya están congelados antes de guardarse.
- Coloque los alimentos congelados en el freezer lo antes posible después de la compra. Si el producto trae instrucciones en el envase, siga las recomendaciones sobre los plazos de almacenamiento

CÓMO DESHELAR

Deshiele el compartimiento del congelador cuando el hielo/cubre de escarcha es aproximadamente ¼" grueso. Ponga la esfera de termostato a "0" deshelar. Quite todo contenido del compartimiento del congelador. Salga la puerta del congelador abre para permitir hielo acumulado/cubre de escarcha para fundirse. Quite los pedazos grandes de hielo necesitaron como. No utilice agua caliente ni otros dispositivos eléctricos de calefacción para fundirse el hielo acumulado. Después que deshelar, quita hielo acumulado/agua y enjuga el compartimiento del congelador seca con una tela suave. Vuelva a encender la unidad por empezar las instrucciones.

No utilice nunca cuchillos ni elementos de metal para retirar la escarcha del evaporador.

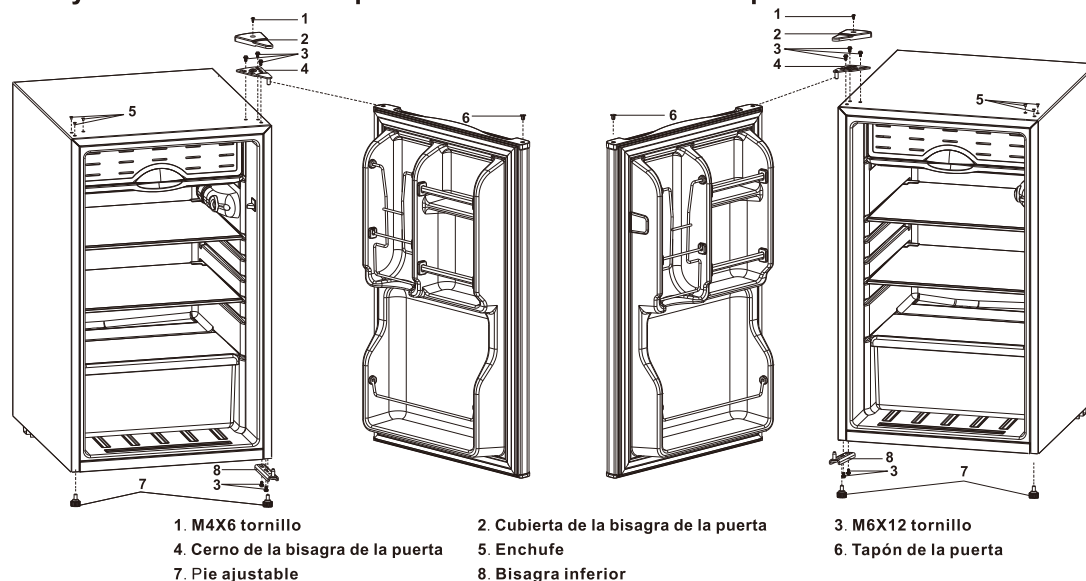
CAMBIO DE LA BOMBILLA DE LUZ

NOTA: Conservar todas las partes que retira para la reinstalación de la bombilla de luz. Antes de quitar la bombilla de luz desenchufe el aparato del tomacorriente. Si no lo hace se puede provocar un choque eléctrico o lesiones físicas.

1. Retire la tapa de la lámpara aflojando.
2. Desatornille el foco antiguo del agujero inferior en la caja de control del termostato.
3. Vuelva a colocar la nueva bombilla de la misma tensión y el tamaño de tornillo.
4. Vuelva a instalar la cubierta de la lámpara atornillando.

CAMBIAR LAS PUERTAS REVERSIBLES

PRECAUCIÓN: Para evitar daños corporales a se y/o a la característica, recomendamos a alguien ayuda usted durante el proceso de la revocación de la puerta.



1. M4X6 tornillo
4. Cerno de la bisagra de la puerta
7. Pie ajustable

2. Cubierta de la bisagra de la puerta
5. Enchufe
8. Bisagra inferior

3. M6X12 tornillo
6. Tapón de la puerta

Su refrigerador está construido con una puerta reversible. Usted tiene la opción de abrirla desde la izquierda o desde la derecha. Con el fin de reservar el sentido de apertura de la puerta, siga estas sencillas instrucciones:

<ol style="list-style-type: none"> 1. Retire la cubierta de la bisagra del lado derecho del gabinete. 2. Retire los dos tornillos (usando un trinquete con cabeza de 7/16") que fijan la bisagra superior al gabinete. Guarde los tornillos para su uso posterior. 3. Levante la bisagra superior hasta liberar las clavijas de la base que se encuentra en la parte superior de la puerta. 4. Levante la puerta y colóquela sobre una superficie acolchada para que no se dañe. 	<p>Cubierta de la bisagra La bisagra superior</p>
<ol style="list-style-type: none"> 5. Retire los tapones de los orificios superiores sobre la izquierda, como ilustra la figura, y utilícelos para tapar los orificios del lado derecho que quedaron destapados. Presione bien los tapones para que queden firmes. 6. Retire el tapón de la puerta de los orificios del lado izquierdo superior de la puerta como se ilustra y transfírellos a los agujeros descubiertos en el lado derecho. Asegúrate de presione el tapón de puerta firmemente en los agujeros. 	<p>Botón de bujias Tapón de la puerta</p>
<ol style="list-style-type: none"> 7. Coloque el gabinete de costado sobre el piso. Retire los tres tornillos que sostienen la bisagra inferior del gabinete con un trinquete de cabeza de 7/16". Guarde los tornillos y las arandelas para su uso posterior. 8. Inserte la bisagra inferior en el costado izquierdo utilizando los dos tornillos que retiró en el paso 6. NOTA: No ajuste los tornillos. 9. Ponga el gabinete en posición vertical. 10. Vuelva a colocar la puerta asegurándose de que la base inferior permita la entrada de la clavija de la bisagra inferior. Asegúrese de que la arandela esté bien colocada. 	<p>bisagra inferior</p>
<ol style="list-style-type: none"> 11. Mientras sostiene la puerta cerrada, ajuste la bisagra superior con los dos tornillos que había sacado al comienzo, en el paso 2. No ajuste los tornillos hasta que el borde superior de la puerta esté nivelado con la parte superior del gabinete. 12. Vuelva a colocar la cubierta de la bisagra. 	
<ol style="list-style-type: none"> 13. Vuelva a colocar los tapones. 14. Herramientas necesarias: <ul style="list-style-type: none"> - trinquete con cabeza de 7/16" . - Espátula para masilla o destornillador de hoja delgada. 	

CUIDE Y LA CONSERVACIÓN

PARA LIMPIAR SU APARATO

- Una vez finalizada la instalación, se recomienda una limpieza completa de la unidad.
- Dé vuelta apagado al aparato primero y después desenchufe la unidad del enchufe de pared.
- Quite todo el contenido.
- Limpie el interior con un paño humedecido en una solución de agua tibia y bicarbonato de soda. La solución se prepara con aproximadamente 2 cucharadas de bicarbonato de soda y un cuarto de agua.
- Recuerde mantener limpia la junta de la puerta (burlete) para que la unidad funcione correctamente.
- La parte exterior del aparato se debe limpiar con una solución de agua tibia y detergente suave.
- Seque el interior y exterior con paño suave.

EN LAS VACACIONES

- Dé vuelta apagado al refrigerador primero y después desenchufe la unidad del enchufe de pared.
- Quite todo el contenido del alimento.
- Limpie el refrigerador.
- Deje la puerta apenas abierta para evitar la posible formación de condensación, moho u olores.
- Extreme los cuidados cuando haya niños. La unidad no debe ubicarse donde los niños puedan jugar con ella.
- **Vacaciones cortas:** Deje el Refrigerador en funcionamiento durante los períodos de vacaciones que no superen las tres semanas.
- **Vacaciones largas:** Si el electrodoméstico no se usa durante varios meses, retire todos los alimentos y desconecte de la red de electricidad. Limpie y seque cuidadosamente el interior. Para evitar la formación de olores y humedad, deje la puerta apenas abierta: si es necesario, trábela para que se mantenga abierta o retire la puerta

PARA CAMBIAR DE LUGAR SU APARATO

- Dé vuelta apagado al refrigerador primero y después desenchufe la unidad del enchufe de pared.
- Quite todo el contenido del alimento.
- Asegure con cinta adhesiva los elementos sueltos en el interior del Refrigerador.
- Asegure la puerta con cinta adhesiva.
- Verifique que el Refrigerador se mantenga en posición vertical durante el traslado

RECOMENDACIONES PARA AHORRAR ENERGÍA

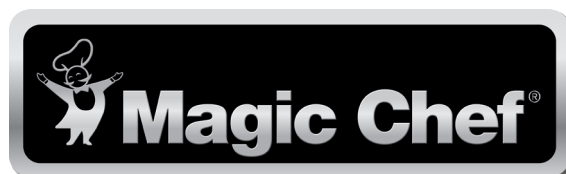
- El Refrigerador se debe ubicar en el lugar más fresco de la habitación, alejado de las fuentes de calor y de caños de calefacción, y protegido de la luz del sol directa.
- Deje que los alimentos calientes se enfríen hasta llegar a la temperatura ambiente antes de colocarlos en el Refrigerador. Si se coloca una cantidad excesiva de alimentos en el Refrigerador, se fuerza el compresor a trabajar durante más tiempo. Los alimentos que tardan mucho en congelarse pueden perder calidad o echarse a perder.
- Asegúrese de envolver los alimentos adecuadamente y seque los envases antes de ubicarlos en el Refrigerador. Esto ayuda a reducir la formación de escarcha en el interior.
- Organice y etiquete los alimentos para reducir la cantidad de veces que abre la puerta y las demoras de la búsqueda. Retire todos los elementos que necesita de una sola vez y cierre la puerta lo antes posible.

GUÍA DE RESOLUCIÓN DE PROBLEMAS

Usted puede resolver muchos de los inconvenientes comunes que se producen con el aparato y ahorrarse el costo de llamar al servicio de mantenimiento. Intente las sugerencias a continuación para ver si puede resolver los problemas antes de llamar al service.

PROBLEMA	CAUSA POSIBLE
El Refrigerador no funciona.	No está enchufado. Se activó el corta corriente o se quemó un fusible.
El compresor se prende y se apaga con frecuencia.	La temperatura ambiente es más elevada que lo normal. Se ha colocado gran cantidad de alimentos en el Refrigerador. La puerta se abre con mucha frecuencia. La puerta no está completamente cerrada. La temperatura fijada en el control no es la correcta. La junta de la puerta no ajusta lo necesario. El Refrigerador no está lo suficientemente alejado de las paredes que lo rodean. El Refrigerador estuvo últimamente desconectado durante un período de tiempo. Se requieren 4 horas para que el Refrigerador se enfríe completamente.
La temperatura del interior del Refrigerador es muy elevada.	El control de temperatura está fijado a una temperatura muy elevada. Fije el control a una temperatura más baja y deje que la temperatura se estabilice durante varias horas. La puerta estuvo mucho tiempo abierta o se abrió con mucha frecuencia. Cada vez que se abre el Refrigerador entra aire caliente. Abra la puerta con menos frecuencia. La puerta no está completamente cerrada. La junta de la puerta no ajusta lo suficiente. Es posible que recientemente se haya guardado una gran cantidad de alimentos tibios o calientes. Espere hasta que el Refrigerador haya tenido la oportunidad de alcanzar la temperatura fijada. El Refrigerador estuvo últimamente desconectado durante un período de tiempo. Se requieren 4 horas para que el Refrigerador se enfríe completamente.
La temperatura del interior del Refrigerador es muy baja.	El control de temperatura está fijado a una temperatura muy baja. Fije el control a una temperatura más elevada y deje que la temperatura se estabilice durante varias horas.
La temperatura del exterior del Refrigerador es elevada.	Las paredes externas pueden llegar a tener una temperatura 30°F por encima de la temperatura ambiente. Esta situación es normal mientras el compresor trabaja para sacar el calor del interior del gabinete.
Ruidos de explosiones o rajaduras cuando el compresor empieza a funcionar.	Las partes metálicas se expanden y contraen como ocurre en las cañerías de agua caliente. Es

	normal. Los ruidos se normalizarán o desaparecerán a medida que el Refrigerador siga funcionando.
Ruidos burbujeantes parecidos al del agua hirviendo.	El refrigerante (utilizado para enfriar el Refrigerador) está circulando por el sistema. Es normal.
Vibraciones.	Verifique que el Refrigerador esté sobre una superficie nivelada. El piso está desparejo o no es fuerte. El Refrigerador se balancea sobre el piso apenas se lo toca. Verifique que el piso soporta adecuadamente el Refrigerador. Nivele el electrodoméstico poniendo cuñas de metal o madera debajo del Refrigerador El Refrigerador está tocando la pared. Vuelva a nivelar y retirar de la pared. Lea las "Instrucciones de instalación".
Se forma humedad en las paredes interiores del Refrigerador	El tiempo está caluroso y húmedo, lo que ocasiona la mayor acumulación de escarcha en el interior. Es normal. La puerta está apenas abierta. La puerta está mucho tiempo abierta o se abre con mucha frecuencia. Abra la puerta con menos frecuencia. La junta de la puerta no ajusta lo necesario.
Se forma humedad en las paredes externas del Refrigerador	La puerta está apenas abierta y el aire frío del interior se combina con el aire tibio del exterior.
La puerta no cierra convenientemente.	El Refrigerador no está en una superficie nivelada. La junta está sucia.



Garantía limitada

MC Appliance Corporation garantiza que todas las Refrigerador compacto carecen de defectos en el material y la mano de obra y acuerda solucionar cualquiera de estos defectos o instalar la(s) parte(s) nueva(s) (a elección de la compañía) en caso de que la unidad haya fallado durante el periodo de garantía. Las partes y gastos de reparación están cubiertos en esta unidad por un periodo de un año a partir de la fecha de compra. Es necesario presentar una copia del recibo o factura de compra con fecha para obtener los servicios de la garantía, el reemplazo o el reembolso.

Además MC Appliance corporation autoriza el compresor (piezas solamente) para estar libre de defectos en material y la ejecución por un período de cinco años. El consumidor es responsable de todo el trabajo y los costos del transporte relacionados con la diagnosis y el reemplazo del compresor después de las uno garantías inicial del año expiran. Si en el acontecimiento la unidad requiere el reemplazo o el reembolso bajo términos de esta garantía el consumidor es responsable de todos los costos del transporte volver la unidad a nuestra fábrica antes de recibir una unidad o un reembolso del reemplazo.

Esta garantía cubre los aparatos que se usen dentro de los Estados Unidos contiguos, Alaska, Hawái y Puerto Rico. La garantía no cubre lo siguiente:

- Daños debido al daño del envío o a la instalación incorrecta.
- Daños debido al mal uso o abuso.
- Pérdidas de contenido debido a falla de la unidad.
- Componentes internos como paneles de puertas, estantes en la puerta, estantes, bombillas, etc.
- Las reparaciones se realizaron por los agentes desautorizados del servicio.
- Llamadas de servicio que no implican defectos en material y la ejecución tal como instrucción en el uso apropiado del producto o de la instalación incorrecta.
- Reemplazo o reajuste de los fusibles o de los interruptores de la casa.
- Falla de este producto si se usa con fines distintos a los que fue diseñado.
- Costes de la disposición de unidades falladas no vueltas a nuestra fábrica.
- Todos los gastos de entrega/instalación incurridos como resultado de una unidad que no cumple con lo especificado.
- Gastos de viajes y el transporte de los productos principales de servicio si su aparato está situado en una zona remota donde el servicio por un técnico de servicio no está disponible.
- La remoción y reinstalación de su gran aparato, si está instalado en un lugar inaccesible o no está instalado de conformidad con las instrucciones de instalación publicadas.
- Restituciones por productos no reparables se limita al precio pagado por la unidad por el recibo de compra.
- Esta garantía es intransferible. Esta garantía es válida exclusivamente para el comprador original y no se extiende a ningún otro propietario o propietarios subsiguientes.

Limitaciones de remedios y exclusiones:

La reparación del producto de acuerdo con los términos de este documento, es el único y exclusivo remedio determinado en esta garantía limitada. Todas y cada una de las garantías implicadas, incluyendo la calidad de comerciable y capacidad para un propósito particular, se limitan mediante la presente a un año o el periodo más corto permitido por la ley. MC Appliance Corporation no es responsable por daños incidentales ni resultantes y ningún representante o persona alguna están autorizados para asumir de parte nuestra ninguna otra responsabilidad en relación con la venta de este producto. Bajo ninguna circunstancia se le permite al consumidor regresar esta unidad a la fábrica sin consentimiento previo por escrito de MC Appliance Corporation.

Algunos estados prohíben la exclusión o limitación por daños incidentales o resultantes, o limitaciones en las garantías implícitas. Esta garantía le otorga a usted derechos legales específicos, y usted puede también tener otros derechos que varían según la entidad federal/va donde se encuentre.

Modelo	Piezas & Trabajo	Compresor (Parte solamente)	Tipo de servicio
HMR440WE	Uno año	Cinco años	Lleve adentro
HMR440BE	Uno año	Cinco años	Lleve adentro
HMR440SE	Uno año	Cinco años	Lleve adentro

Para servicio o asistencia, llame por favor al **888-775-0202**. O visítenos en **www.mcappliance.com** para solicitar el servicio de garantía o repuestos.



**CNA International, Inc. realiza negocios bajo el nombre de MC Appliance Corporation.
Derechos reservados.**

El logotipo Magic Chef® es una marca registrada de CNA International, Inc.

www.mcappliance.com

Impreso en China