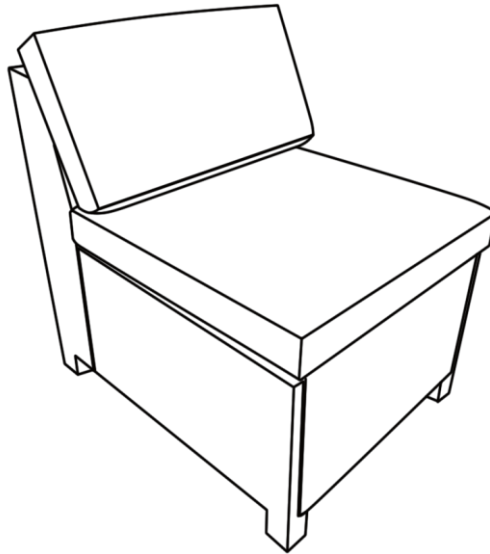


Assembly Instructions

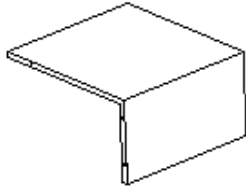
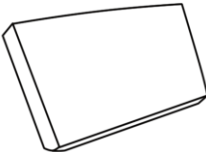
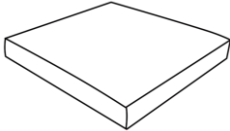
Caution : You must read this before you proceed

Armless Chair








Parts List

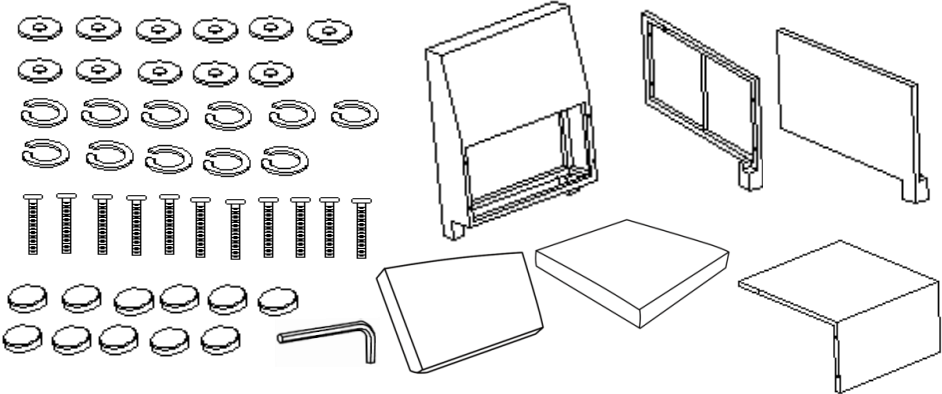
| Label | Picture | Description | QTY |
|-------|---------|----------------------|-----|
| A | | Backrest with Leg | 1 |
| B | | Left Panel with Leg | 1 |
| C | | Right Panel with Leg | 1 |

| | | | |
|---|---|--------------|---|
| D |  | Seat | 1 |
| E |  | Back Cushion | 1 |
| F |  | Seat Cushion | 1 |

Hardware

| Label | Picture | Description | QTY |
|-------|---|----------------------------|-----|
| ① |  | Bolt Cap | 11 |
| ② |  | Bolt (M6*45mm) | 11 |
| ③ |  | Washer | 11 |
| ④ |  | Spring Washer (Ø16*2mm) | 11 |
| ⑤ |  | Allen Key | 1 |

Assembly Preparation

| | |
|-----------------------------------|--|
| <p>Before Beginning Assembly:</p> |  |
|-----------------------------------|--|



- Read instructions, cover to cover-



- Have 2 adults on hand for assembly-



- Do not assemble on flooring or carpet-



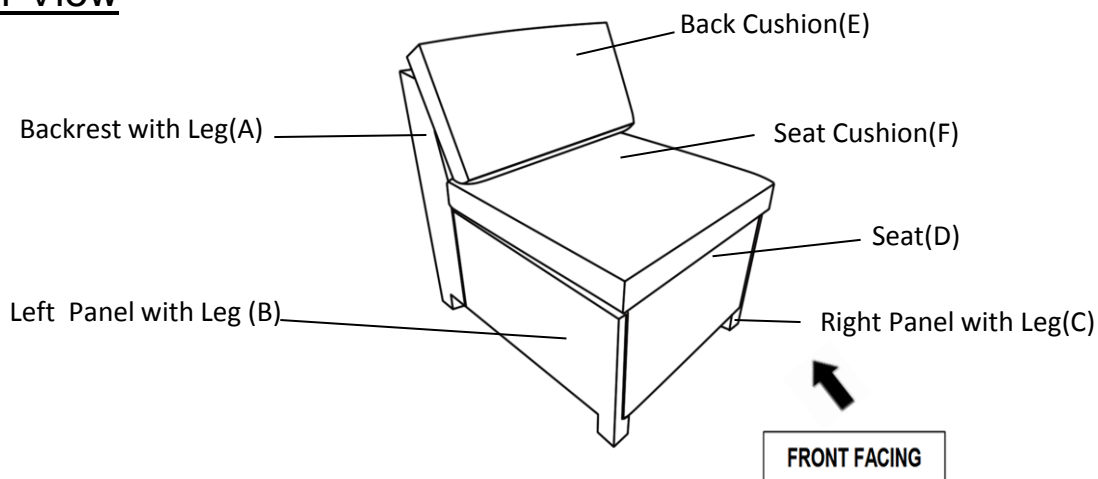
- Assemble on a clean non-marring surface (packing foam)-



- Save all packaging until finished-

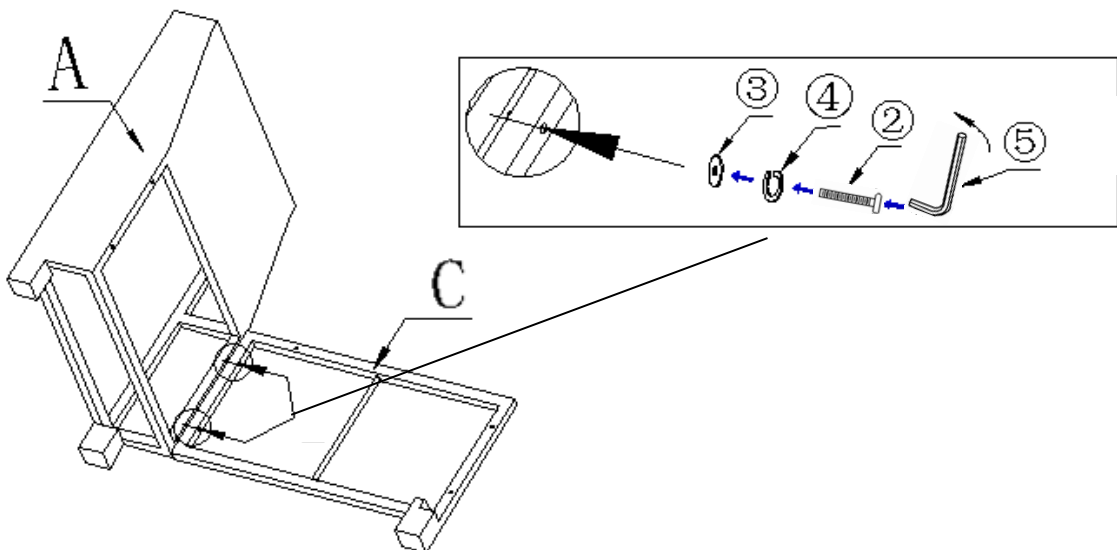
Assembly Steps

Over View



This Armless Chair has multiple parts and may require up to 30 minutes to assemble. To give you an overview of the Armless Chair parts, the above picture is to help you put the various parts into perspective. Please read through the instructions below to familiarise yourself with the parts and steps before assembly.

Step 1



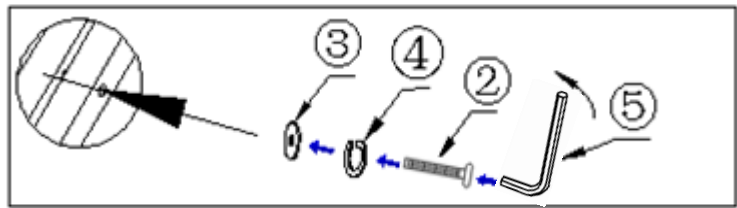
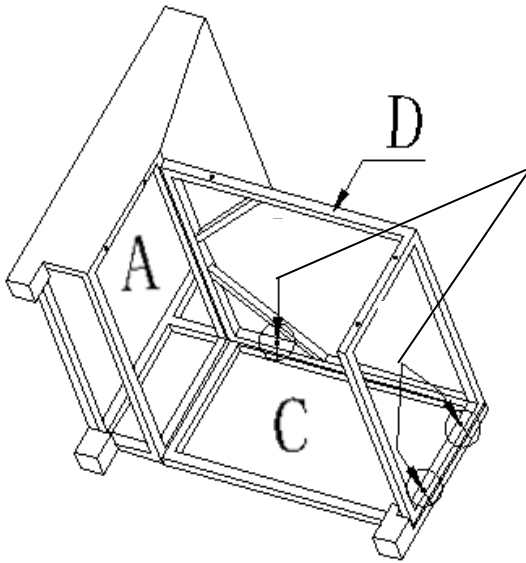
Open the carton and place all part on a clean and soft surface.

Place the Backrest with Leg(A) against the Right Panel with Leg(C) as shown above.

Attach the Backrest with Leg(A) to Right Panel with Leg(C) using the Bolts(2), Spring Washers(4) and Washers(3) with Alley Key(5).

Do not fully tighten the bolts.

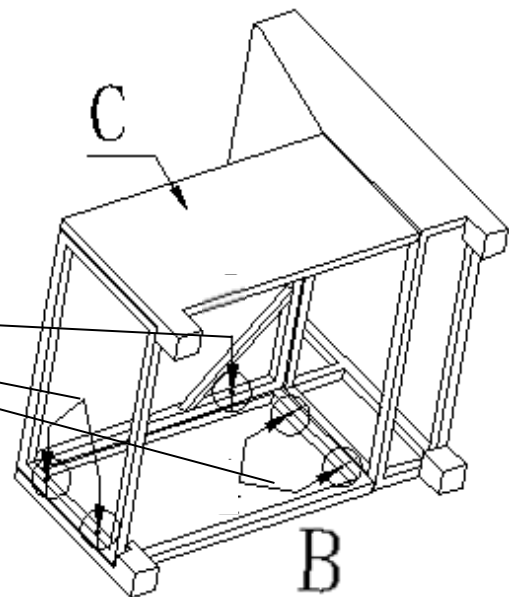
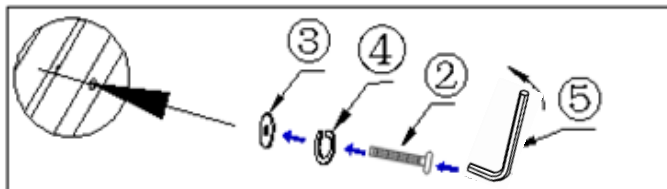
Step 2



Attach the Seat(D) to Right Panel with Leg(C) using Bolts(②), Spring Washers(④) and Washers(③) with Allen Key(⑤).

Do not fully tighten the bolts.

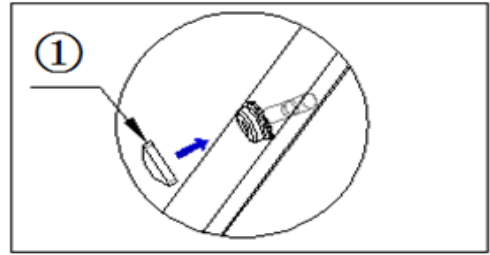
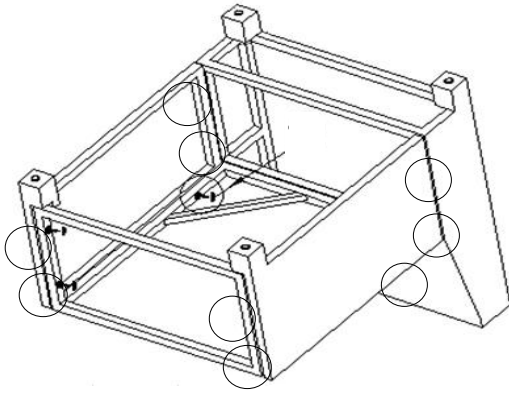
Step 3



Place the Left Panel with Leg(B) facedown on the clean and soft surface. With the help of your adult partner, place the Backrest with Leg(A) against Left Panel with Leg(B). Attach the Left Panel with Leg(B) to Seat(D) and Backrest with Leg(A) using Bolts(②), Spring Washers(④) and Washers(③) with Alley Key(⑤).

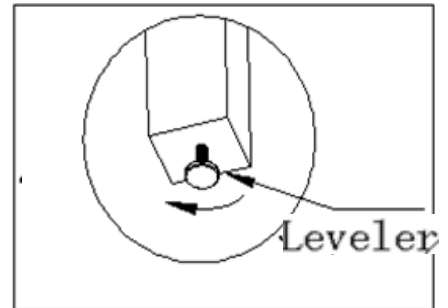
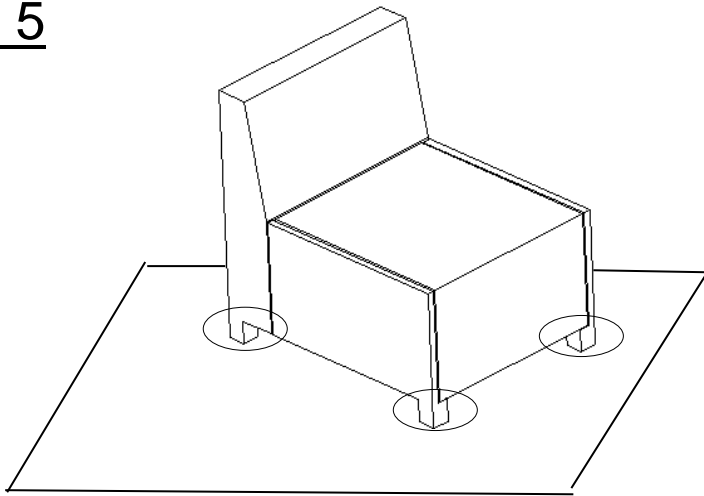
Tighten all Bolts at all joints completely at this stage.

Step 4



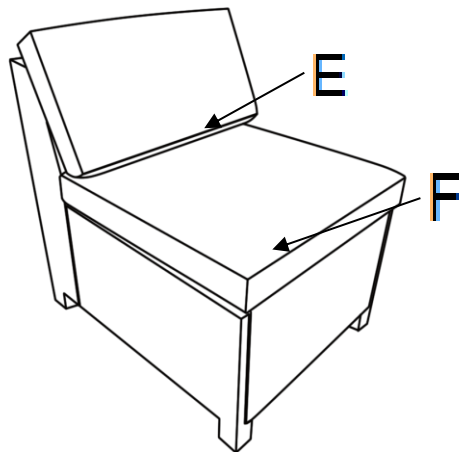
Turn the Armless Chair face down on the clean, non-marring surface.
Use the Bolt Cap(①) to cover all Bolts.

Step 5



Place the Armless Chair on a level surface to check the wobbles.
If the Armless Chair wobbles, adjust the Levelers on the bottom of the Legs to make it level.





















Step 6



Place the Seat Cushion(F) and Back Cushion(E) on the Armless Chair.
Your Armless Chair is ready for use.

This Armless Chair can only be used on a flat, level surface.

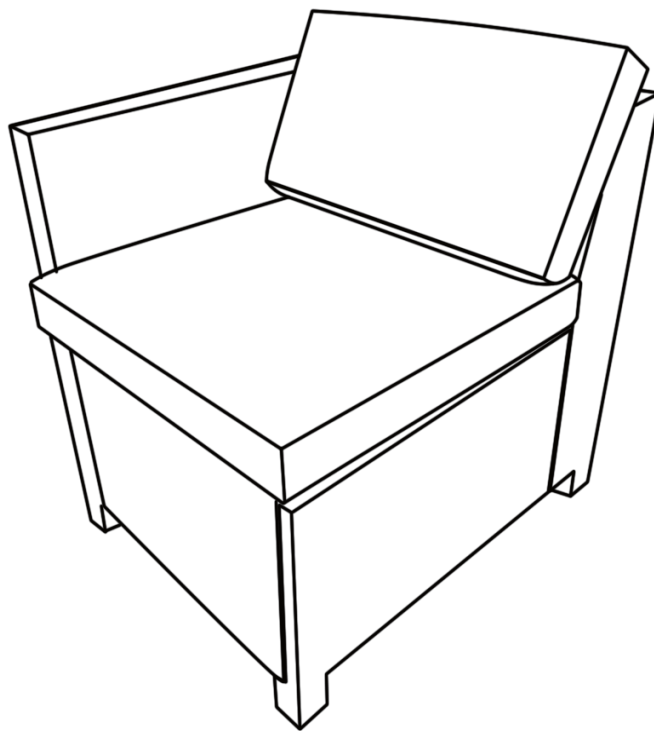
Care & Maintenance

-   ● Do not put hot items directly on furniture surface
 -   ● Do not clean furniture with harsh cleansers or polish.
 -   ● To obtain the longest lifespan of your outdoor products, minimizing exposure to direct sunlight is recommended.
 -   ● Children should not climb or jump on the furniture.
 -   ● Do not write on furniture without a padded barrier to protect the surface.
 -   ● To obtain the longest lifespan of your outdoor products, avoid extended and lengthy exposure to rain, snow, and direct sunshine. Whenever possible cover the product and /or place under patio or awnings.
 -   ● Not for commercial use. For residential use only .
 -   ● Stains may be removed with mild soap solution and damp cloth.
 -   ● Keep away from sources of ignition.
-
-   ● Dust and pick-up spills using a clean, non-colored, lint-free cloth.

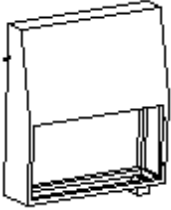
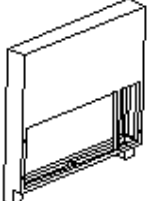
Assembly Instructions

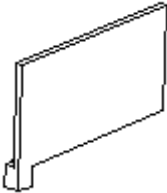
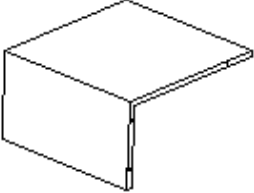

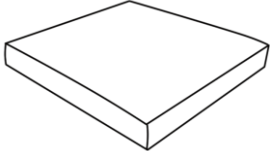
Caution : You must read this before you proceed

Left Armchair








Parts List

| Label | Picture | Description | QTY |
|-------|---|-----------------------|-----|
| G |  | Backrest with Leg | 1 |
| H |  | Left Armrest with Leg | 1 |

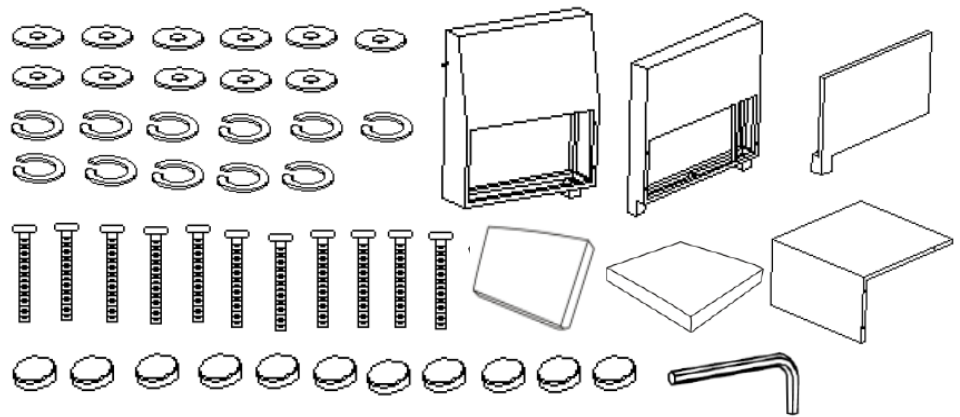
| | | | |
|---|---|----------------------|---|
| I |  | Right Panel with Leg | 1 |
| J |  | Seat | 1 |
| E |  | Back Cushion | 1 |
| F |  | Seat Cushion | 1 |

Hardware

| Label | Picture | Description | QTY |
|-------|---|----------------------------|-----|
| ① |  | Bolt Cap | 11 |
| ② |  | Bolt (M6*45mm) | 11 |
| ③ |  | Washer | 11 |
| ④ |  | Spring Washer (Ø16*2mm) | 11 |
| ⑤ |  | Allen Key | 1 |

Assembly Preparation

Before Beginning Assembly:



- Read instructions, cover to cover-



- Have 2 adults on hand for assembly-



- Do not assemble on flooring or carpet-



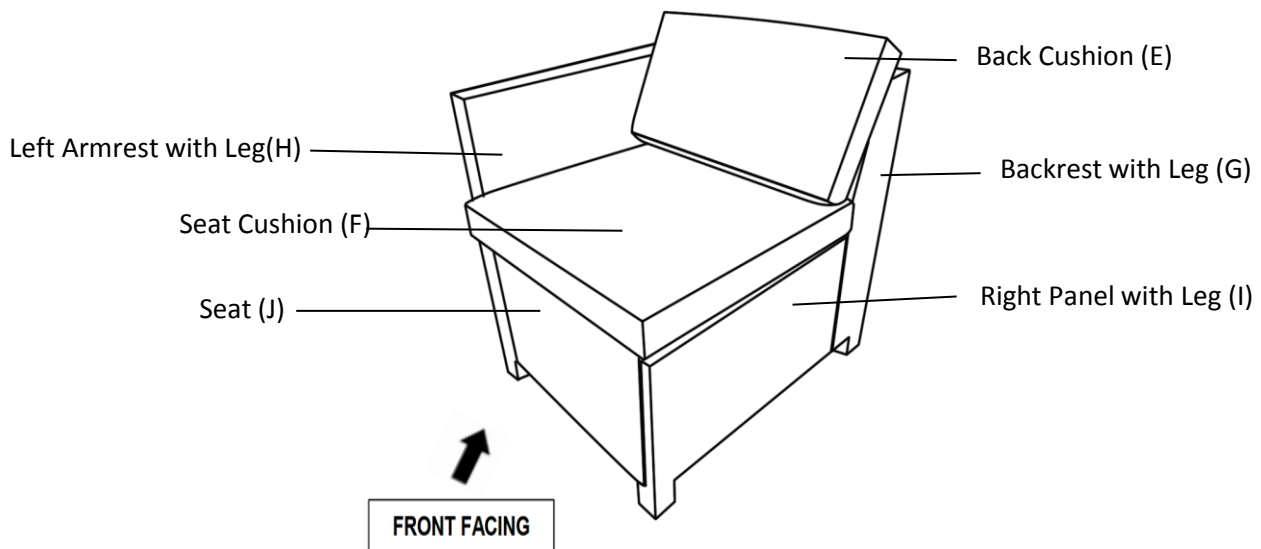
- Assemble on a clean non-marring surface (packing foam)-



- Save all packaging until finished-

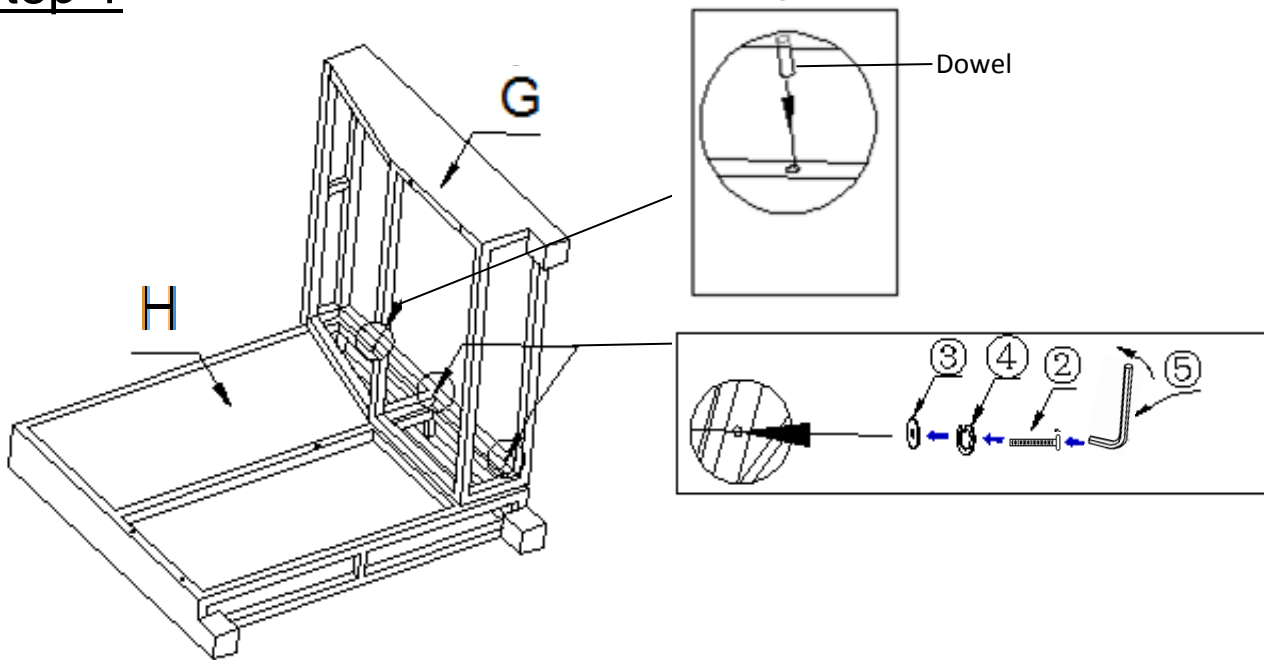
Assembly Steps

Overview



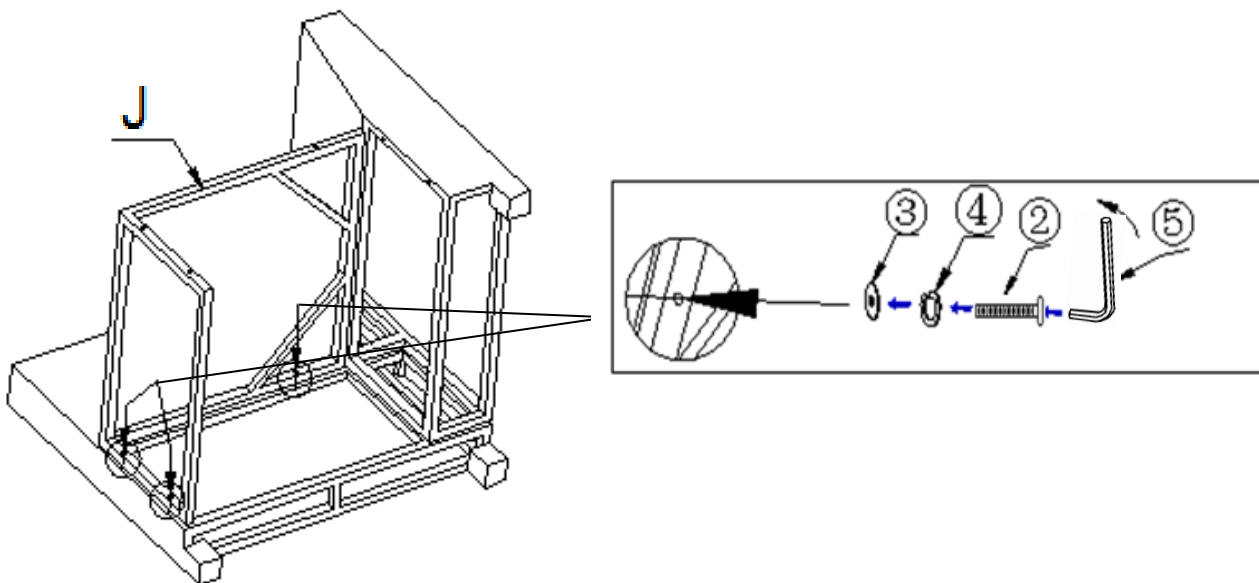
This Armchair has multiple parts and may require up to 30 minutes to assemble. To give you an overview of the Armchair parts, the above picture is to help you put the various parts into perspective. Please read through the instructions below to familiarise yourself with the parts and steps before assembly.

Step 1



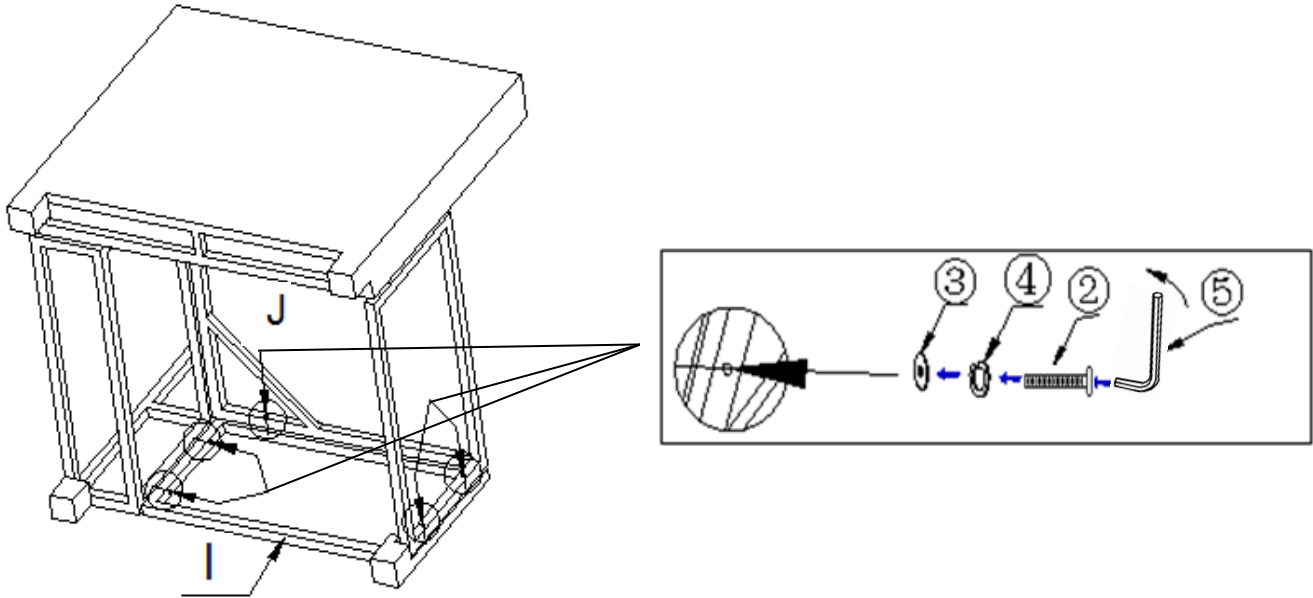
Place the Left Armrest with Leg(H) facedown on a clean, non-marring surface.
Place the Backrest with Leg(G) on the Armrest with Leg(H) being sure to insert dowel on Armrest with Leg(H) into mounting position on Backrest with Leg(G).
Attach Backrest with Leg(G) to Left Armrest with Leg(H) using Bolts(②), Spring Washers(④) and Washers(③) with Allen Key(⑤) as shown above.
Do not fully tighten the bolts.

Step 2



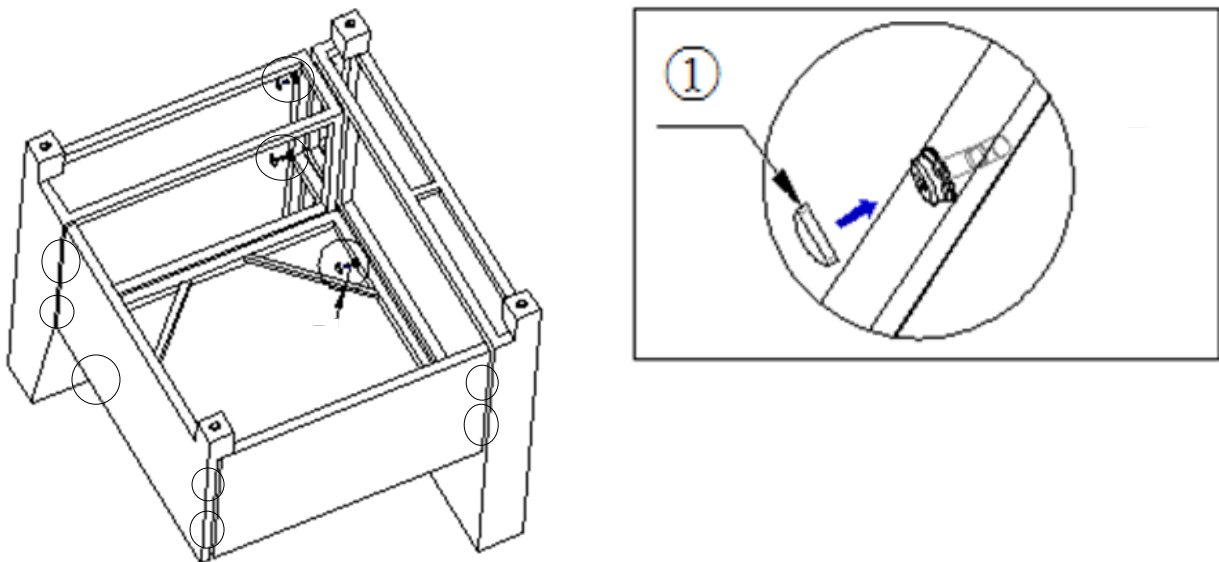
Place the Seat(J) onto the Backrest with Leg(G) and Left Armrest with Leg(H) as shown.
Attach Seat(J) to Backrest with Leg(G) and Left Armrest with Leg(H) using Bolts(②), Spring Washers(④) and Washers(③) with Allen Key(⑤) as shown above.
Do not fully tighten the Bolts.

Step 3



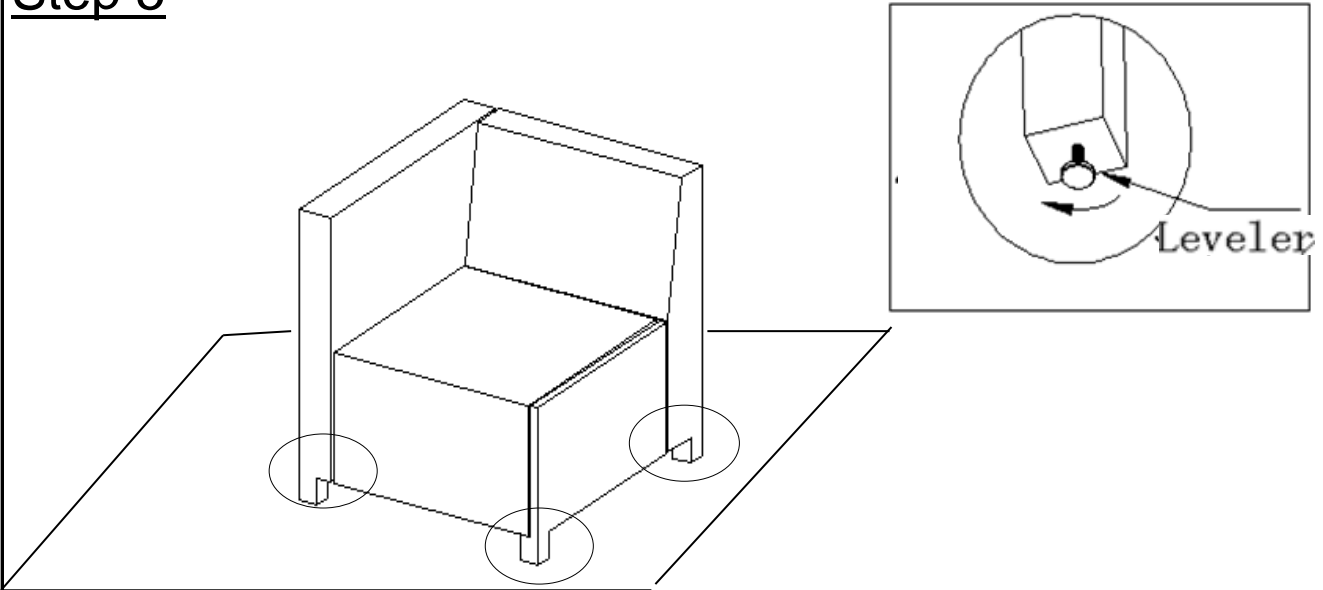
Place the Right Panel with Leg(I) facedown on a clean, non-marring surface.
With the help of your adult partner, place Backrest against Right Panel with Leg(I).
Attach the Right Panel with Leg(I) to Backrest with Leg(G) and Seat(J) using Bolts(2), Spring Washers(4) and Washers(3) with Allen Key(5) as pictured above.
Tighten all Bolts at all joints completely at this stage.

Step 4



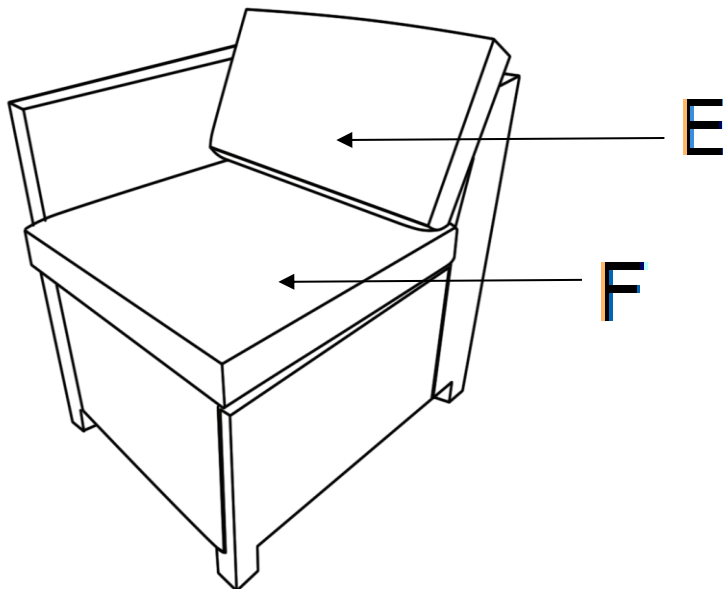
Turn the Armchair face down.
Use the Bolt Caps(1) to cover all Bolts.

Step 5



Place the Armchair on a level surface to check the wobbles.
If the Armchair wobbles, adjust the Levelers on the bottom of the Legs to make it level.





















Step 6



Place the Seat Cushion(F) and Back Cushion(E) on the Armchair.
Your Armchair is ready for use.

This Armchair can only be used on a flat, level surface.

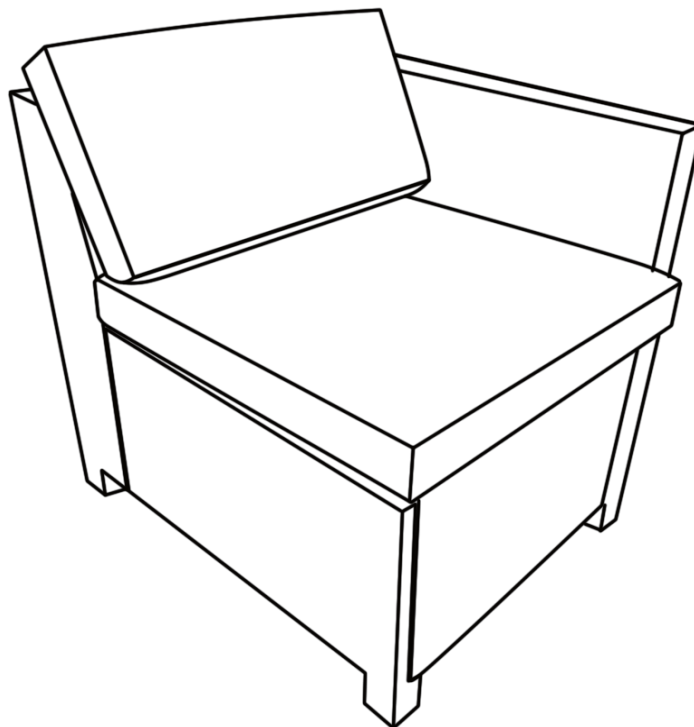
Care & Maintenance

-   ● Do not put hot items directly on furniture surface
 -   ● Do not clean furniture with harsh cleansers or polish.
 -   ● To obtain the longest lifespan of your outdoor products, minimizing exposure to direct sunlight is recommended.
 -   ● Children should not climb or jump on the furniture.
 -   ● Do not write on furniture without a padded barrier to protect the surface.
 -   ● To obtain the longest lifespan of your outdoor products, avoid extended and lengthy exposure to rain, snow, and direct sunshine. Whenever possible cover the product and /or place under patio or awnings.
 -   ● Not for commercial use. For residential use only .
 -   ● Stains may be removed with mild soap solution and damp cloth.
 -   ● Keep away from sources of ignition.
-
-   ● Dust and pick-up spills using a clean, non-colored, lint-free cloth.

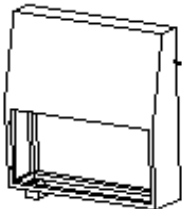
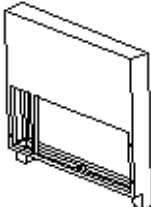
Assembly Instructions

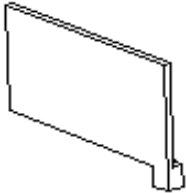
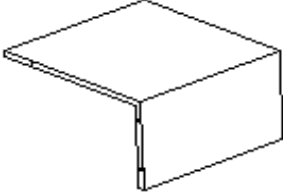
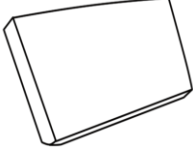
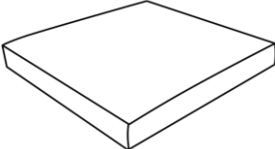
Caution : You must read this before you proceed

Right Armchair








Parts List

| Label | Picture | Description | QTY |
|-------|---|------------------------|-----|
| K |  | Backrest with Leg | 1 |
| L |  | Right Armrest with Leg | 1 |

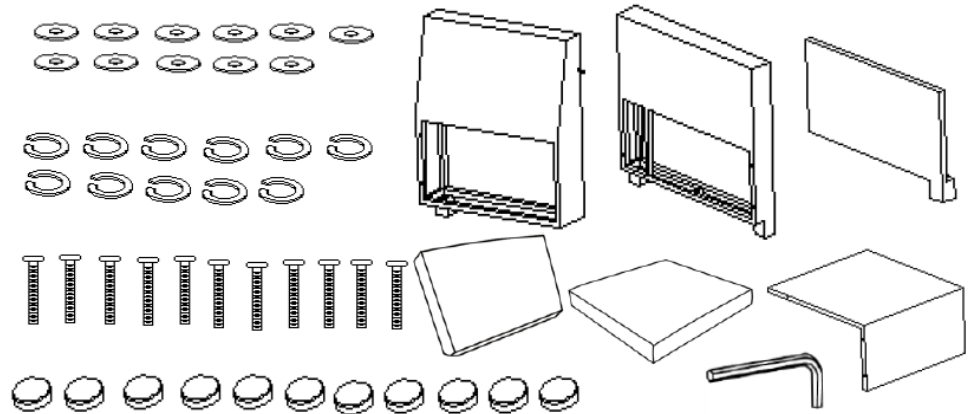
| | | | |
|---|---|---------------------|---|
| M |  | Left Panel with Leg | 1 |
| N |  | Seat | 1 |
| E |  | Back Cushion | 1 |
| F |  | Seat Cushion | 1 |

Hardware

| Label | Picture | Description | QTY |
|-------|---|----------------------------|-----|
| ① |  | Bolt Cap | 11 |
| ② |  | Bolt (M6*45mm) | 11 |
| ③ |  | Washer | 11 |
| ④ |  | Spring Washer (Ø16*2mm) | 11 |
| ⑤ |  | Allen Key | 1 |

Assembly Preparation

Before Beginning Assembly:



- Read instructions, cover to cover-



- Have 2 adults on hand for assembly-



- Do not assemble on flooring or carpet-



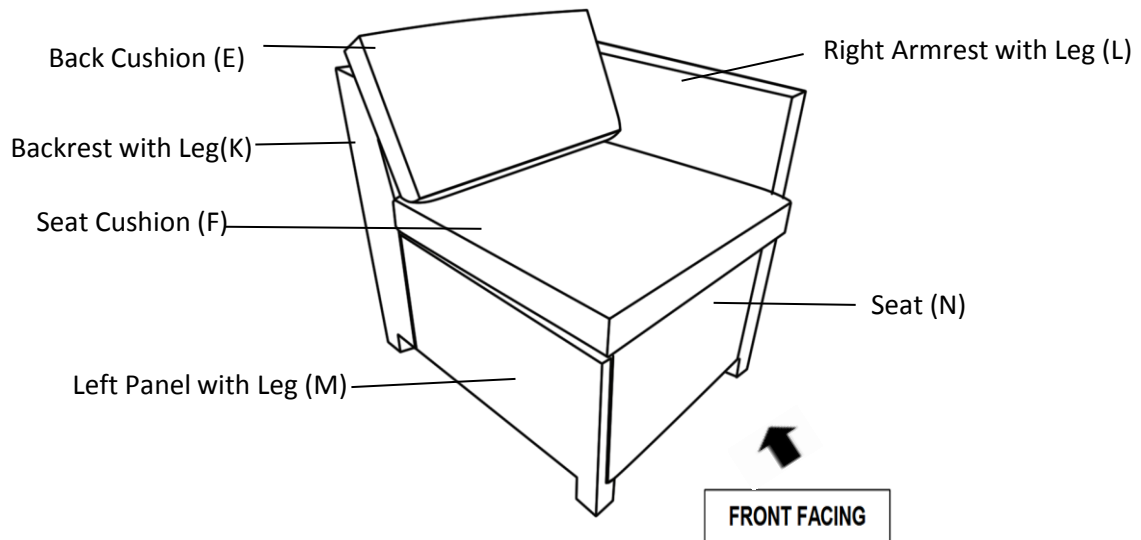
- Assemble on a clean non-marring surface (packing foam)-



- Save all packaging until finished-

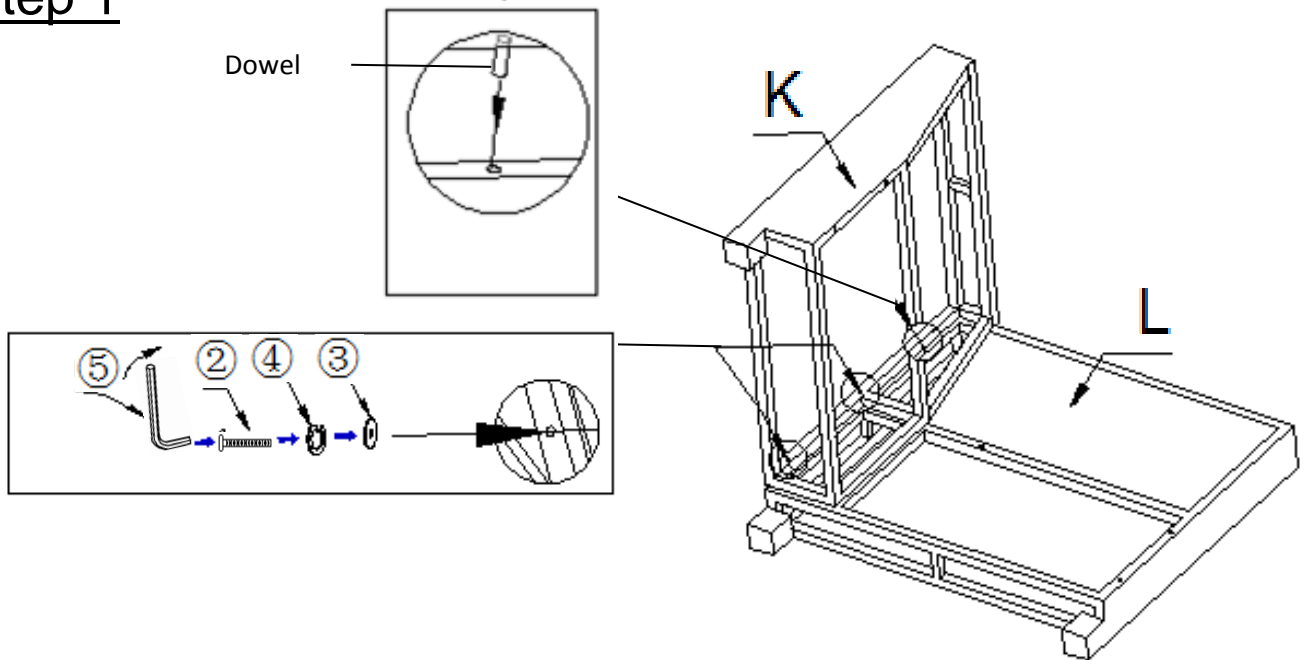
Assembly Steps

Overview



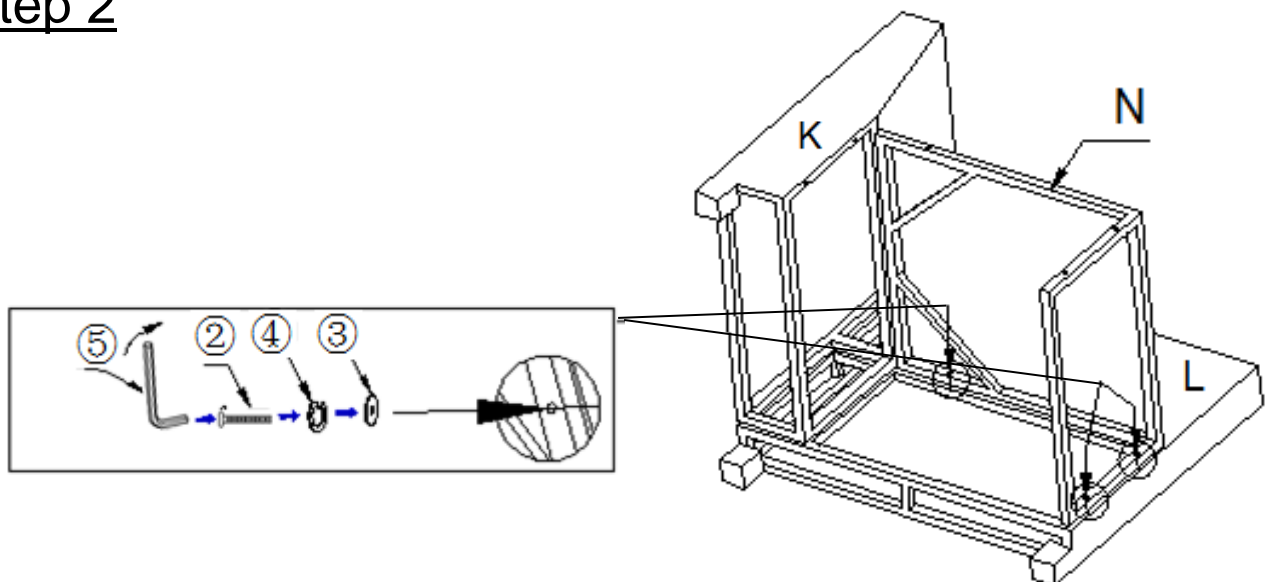
This Armchair has multiple parts and may require up to 30 minutes to assemble. To give you an overview of the Armchair parts, the above picture is to help you put the various parts into perspective. Please read through the instructions below to familiarise yourself with the parts and steps before assembly.

Step 1



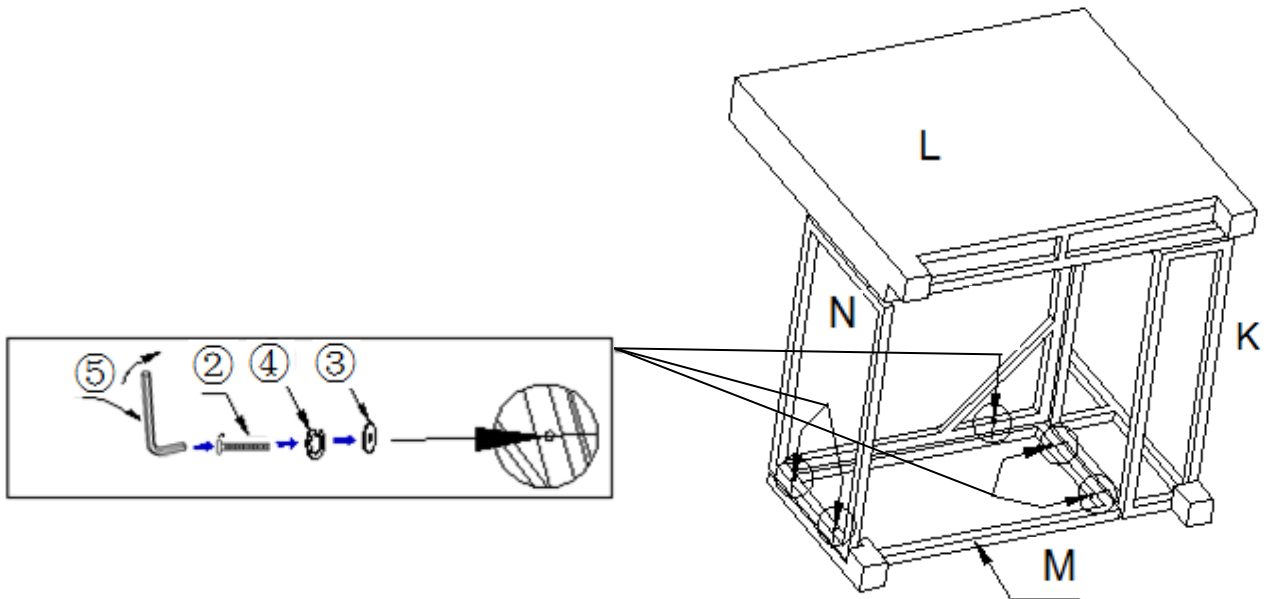
Place the Right Armrest with Leg(L) facedown on a clean, non-marring surface.
Place the Backrest with Leg(K) on the Armrest with Leg(L) being sure to insert dowel on Armrest with Leg(L) into mounting position on Backrest with Leg(K).
Attach Backrest with Leg(K) to Left Armrest with Leg(L) using Bolts(②), Spring Washers(④) and Washers(③) with Allen Key(⑤) as shown above.
Do not fully tighten the bolts.

Step 2



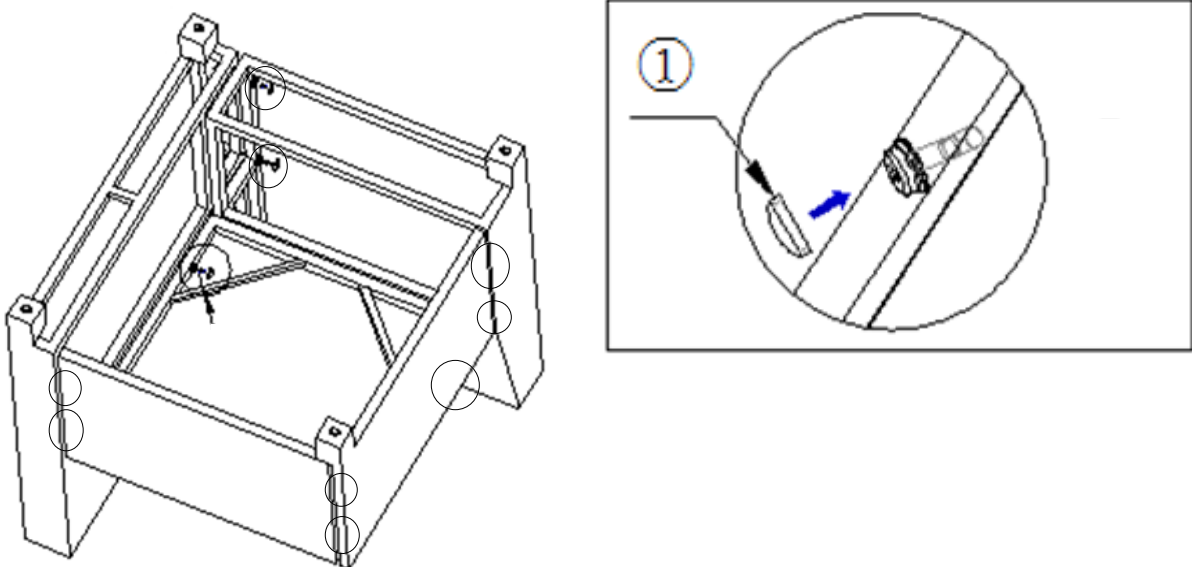
Place the Seat(N) onto the Backrest with Leg(K) and Right Armrest with Leg(L) as shown.
Attach Seat(N) to Backrest with Leg(K) and Right Armrest with Leg(L) using Bolts(②), Spring Washers(④) and Washers(③) with Allen Key(⑤) as shown above.
Do not fully tighten the Bolts.

Step 3



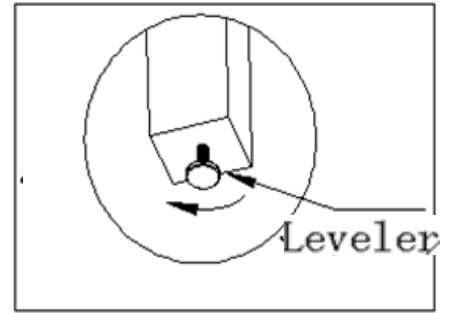
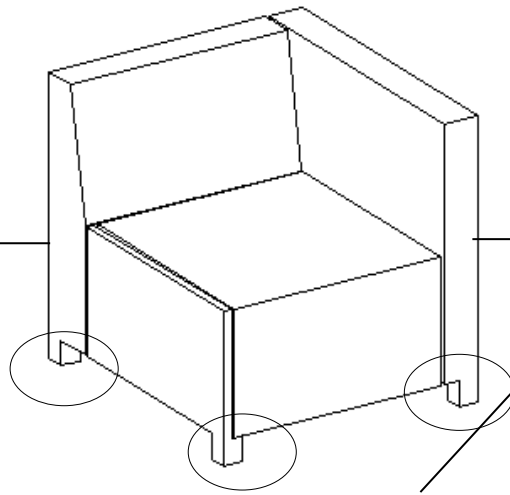
Place the Right Panel with Leg(M) facedown on a clean, non-marring surface.
With the help of your adult partner, place Backrest against Right Panel with Leg(M).
Attach the Right Panel with Leg(M) to Backrest with Leg(K) and Seat(N) using Bolts(②), Spring Washers(④) and Washers(③) with Allen Key(⑤) as pictured above.
Tighten all Bolts at all joints completely at this stage.

Step 4



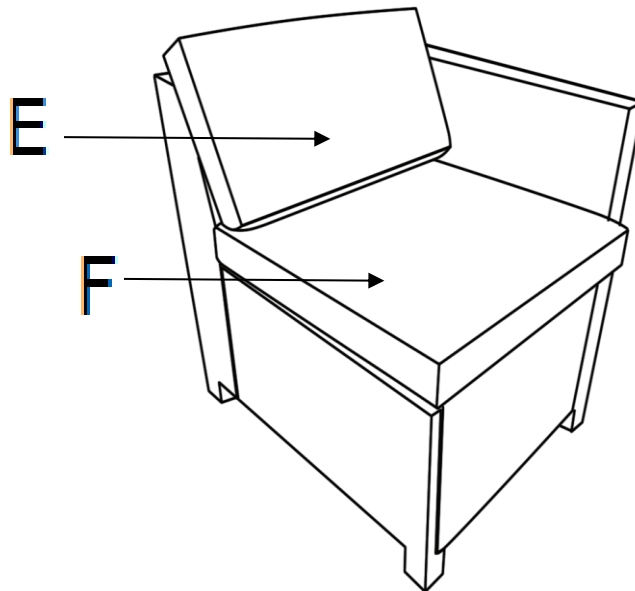
Turn the Armchair face down.
Use the Bolt Caps(①) to cover all Bolts.

Step 5



Place the Armchair on a level surface to check the wobbles.
If the Armchair wobbles, adjust the Levelers on the bottom of the Legs to make it level.





















Step 6



Place the Seat Cushion(F) and Back Cushion(E) on the Armchair.
Your Armchair is ready for use.

This Armchair can only be used on a flat, level surface.

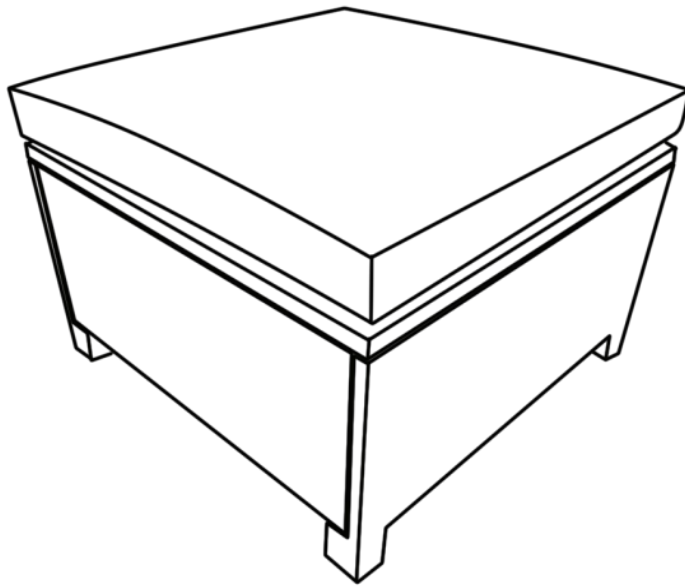
Care & Maintenance

-   ● Do not put hot items directly on furniture surface
 -   ● Do not clean furniture with harsh cleansers or polish.
 -   ● To obtain the longest lifespan of your outdoor products, minimizing exposure to direct sunlight is recommended.
 -   ● Children should not climb or jump on the furniture.
 -   ● Do not write on furniture without a padded barrier to protect the surface.
 -   ● To obtain the longest lifespan of your outdoor products, avoid extended and lengthy exposure to rain, snow, and direct sunshine. Whenever possible cover the product and /or place under patio or awnings.
 -   ● Not for commercial use. For residential use only .
 -   ● Stains may be removed with mild soap solution and damp cloth.
 -   ● Keep away from sources of ignition.
-
-   ● Dust and pick-up spills using a clean, non-colored, lint-free cloth.

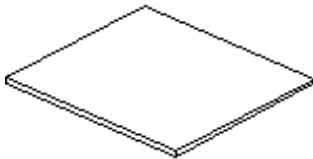
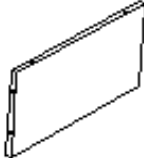
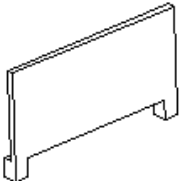
Assembly Instructions

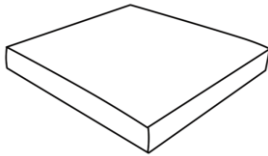
Caution : You must read this before you proceed

Ottoman








Parts List

| Label | Picture | Description | QTY |
|-------|---|----------------------|-----|
| O |  | Top Panel | 1 |
| P |  | Front/Back Panel | 2 |
| Q |  | Side Panel with Legs | 2 |

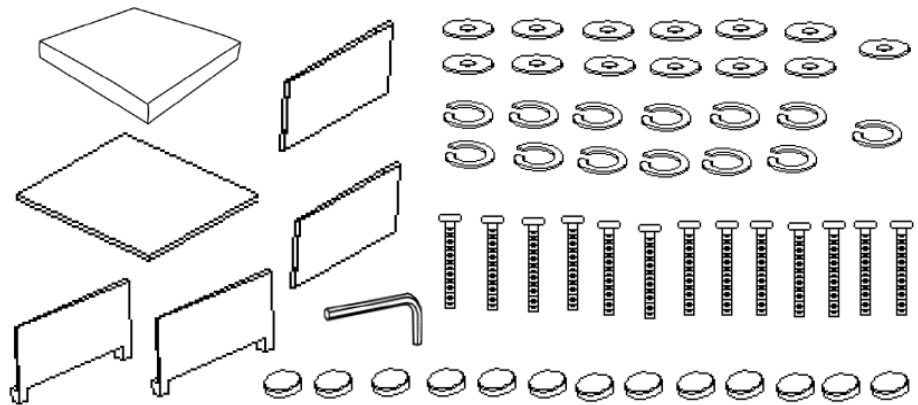
| | | | |
|---|---|--------------|---|
| U |  | Seat Cushion | 1 |
|---|---|--------------|---|

Hardware

| Label | Picture | Description | QTY |
|-------|---|-------------------------|-----|
| ① |  | Bolt Cap | 13 |
| ② |  | Bolt (M6*45mm) | 13 |
| ③ |  | Washer | 13 |
| ④ |  | Spring Washer (Ø16*2mm) | 13 |
| ⑤ |  | Allen Key | 1 |

Assembly Preparation

Before Beginning Assembly:



- Read instructions, cover to cover-



- Have 2 adults on hand for assembly-



- Do not assemble on flooring or carpet-



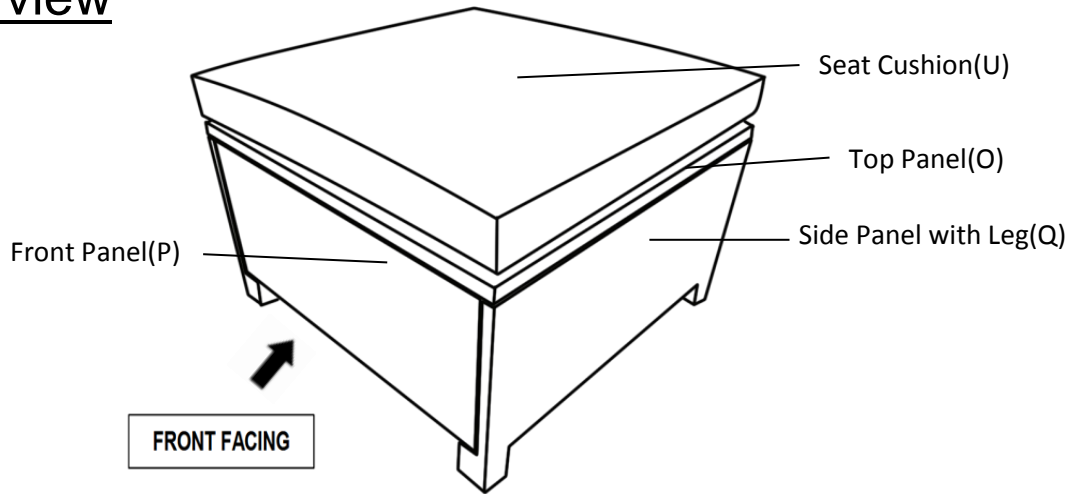
- Assemble on a clean non-marring surface (packing foam)-



- Save all packaging until finished-

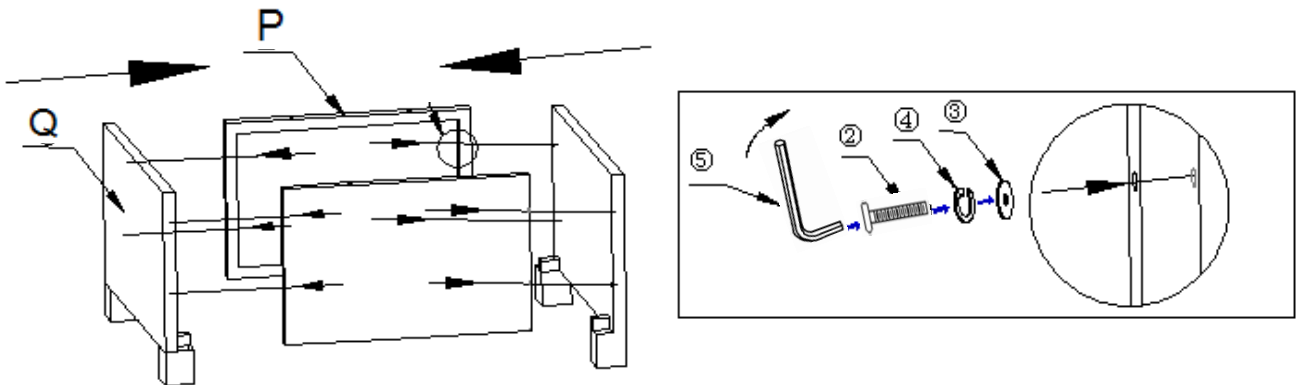
Assembly Steps

Overview



This Ottoman has multiple parts and may require up to 30 minutes to assemble. To give you an overview of the Ottoman parts, the above picture is to help you put the various parts into perspective. Please read through the instructions below to familiarise yourself with the parts and steps before assembly.

Step 1

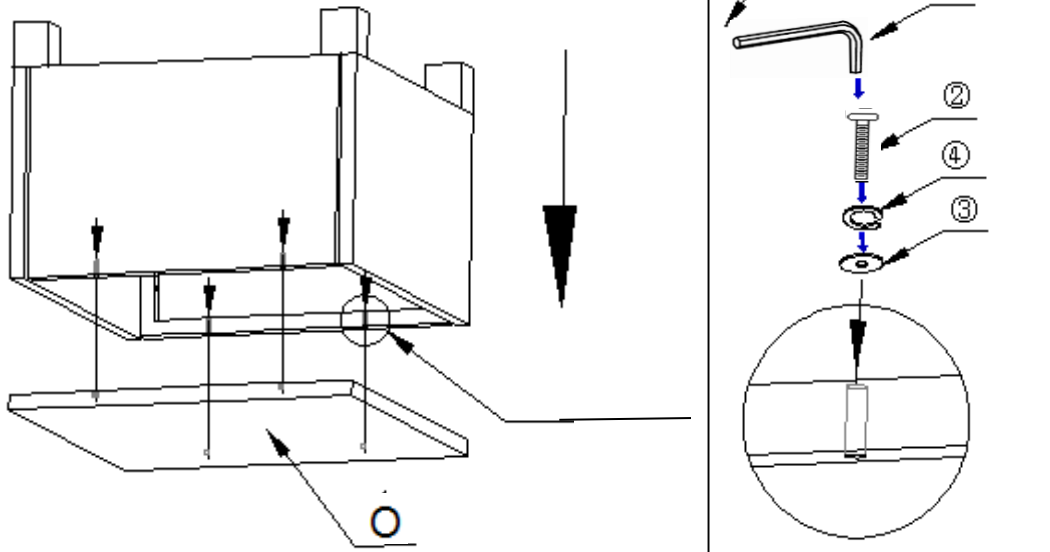


Open the carton and place all parts on a clean, non-marring surface.

Attach the Side Panels with Legs(Q) to the Front and Back Panels(P) using Bolts(2), Spring Washers(4) and Washers(3) with Allen Key(5) as shown above.

Do not fully tighten the Bolts.

Step 2



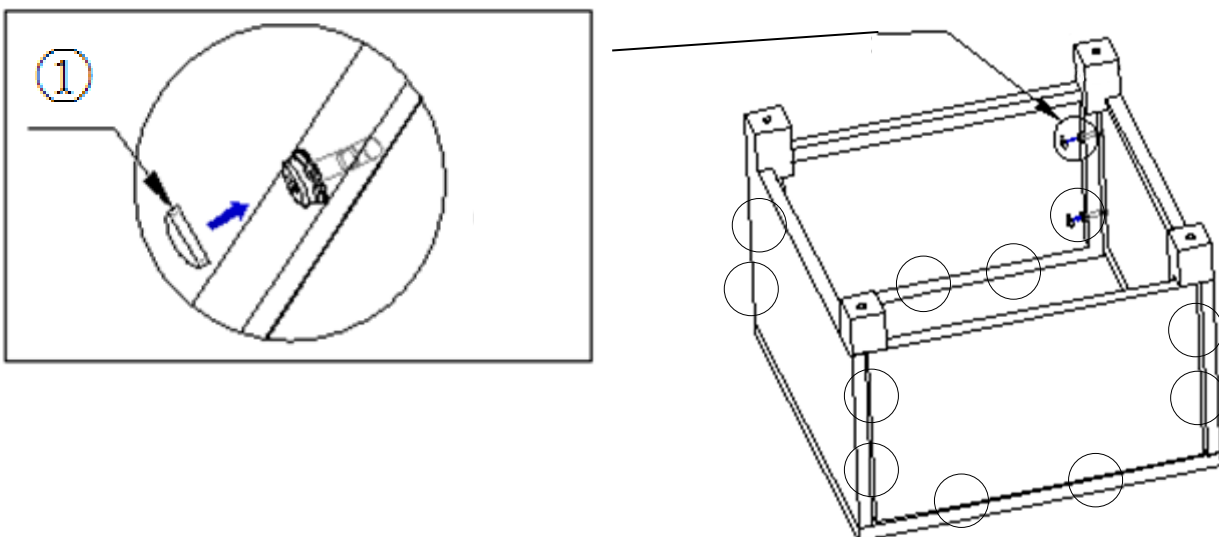
Place the Top Panel(O) facedown on a clean and soft surface.

With the help of your adult partner, turn the Table Frame over and place it onto the Top Panel(O) as shown above.

Attach the Top Panel(O) to the Front and Back Panels(P) and Side Panels with Legs(Q) using Bolts(2), Spring Washers(4) and Washers(3) with Allen Key(5) as shown above.

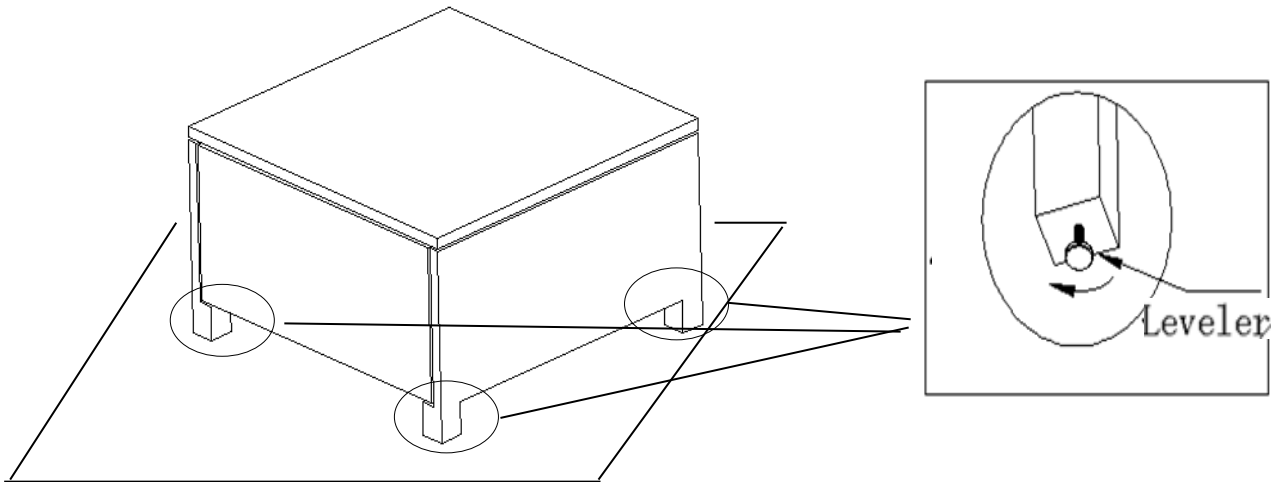
Tighten all Bolts at all joints completely at this stage.

Step 3



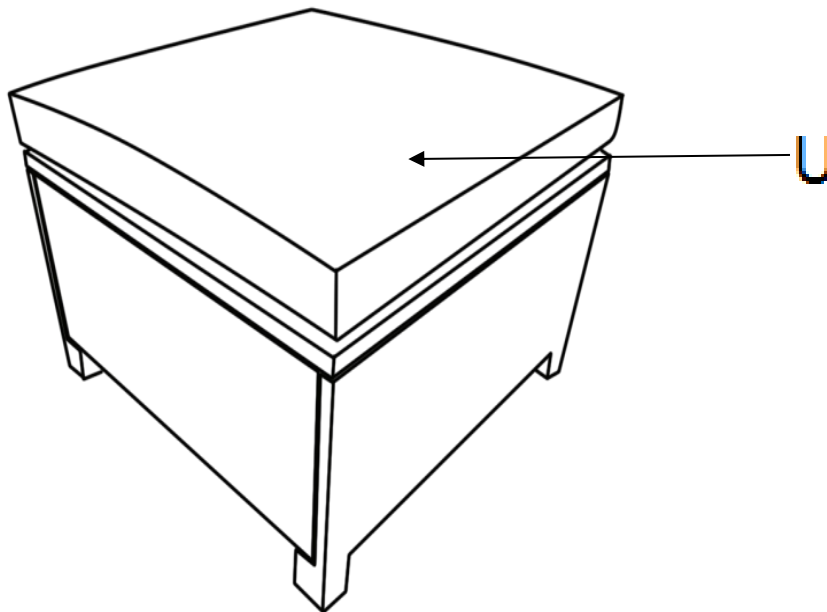
Use the Bolt Cap(1) to cover all Bolts.

Step 4























Place the Ottoman on a level surface to check the wobbles.
If the Ottoman wobbles, adjust the Levelers on the bottom of the Legs to make it level.

Step 5



Place the Seat Cushion(U) on the ottoman.
Your Ottoman is ready for use.
This Ottoman can only be used on a flat, level surface.

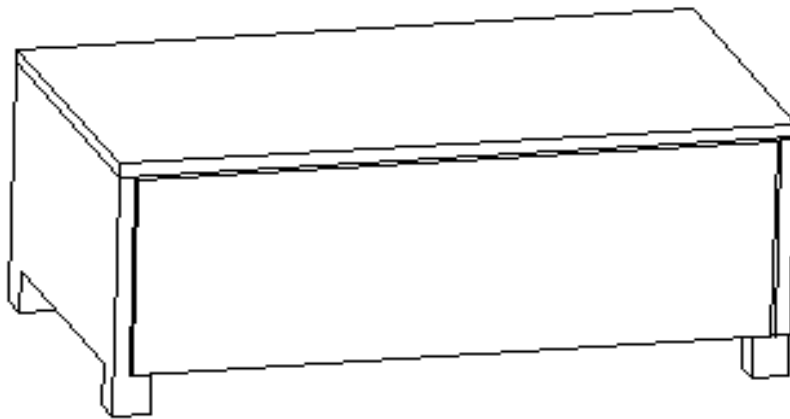
Care & Maintenance

-   ● Do not put hot items directly on furniture surface
 -   ● Do not clean furniture with harsh cleansers or polish.
 -   ● To obtain the longest lifespan of your outdoor products, minimizing exposure to direct sunlight is recommended.
 -   ● Children should not climb or jump on the furniture.
 -   ● Do not write on furniture without a padded barrier to protect the surface.
 -   ● To obtain the longest lifespan of your outdoor products, avoid extended and lengthy exposure to rain, snow, and direct sunshine. Whenever possible cover the product and /or place under patio or awnings.
 -   ● Not for commercial use. For residential use only .
 -   ● Stains may be removed with mild soap solution and damp cloth.
 -   ● Keep away from sources of ignition.
-
-   ● Dust and pick-up spills using a clean, non-colored, lint-free cloth.


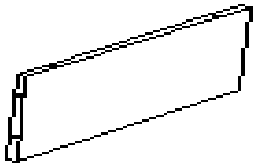
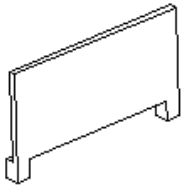
Assembly Instructions

Caution : You must read this before you proceed






Table



Parts List

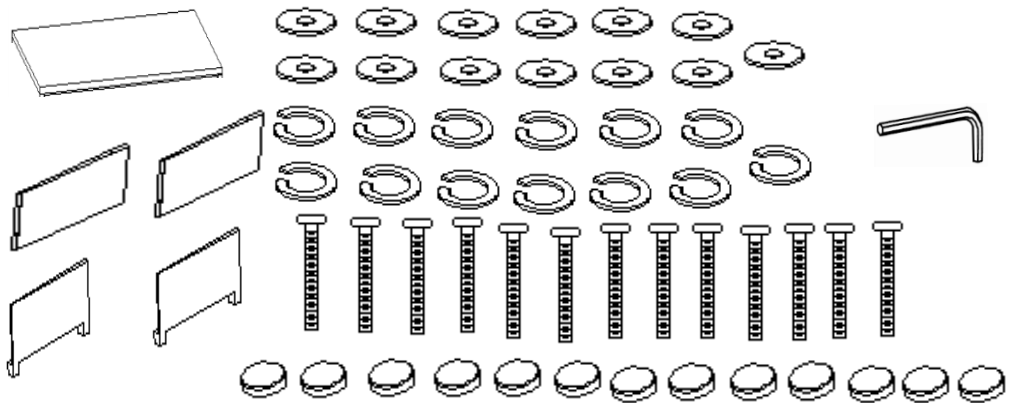
| Label | Picture | Description | QTY |
|-------|---|----------------------|-----|
| R |  | Top Panel | 1 |
| S |  | Front/Back Panel | 2 |
| T |  | Side Panel with Legs | 2 |

Hardware

| Label | Picture | Description | QTY |
|-------|--|-------------------------|-----|
| ① |  | Bolt Cap | 13 |
| ② |  | Bolt (M6*45mm) | 13 |
| ③ |  | Washer | 13 |
| ④ |  | Spring Washer (Ø16*2mm) | 13 |
| ⑤ |  | Allen Key | 1 |

Assembly Preparation

Before Beginning Assembly:



- Read instructions, cover to cover-



- Have 2 adults on hand for assembly-



- Do not assemble on flooring or carpet-



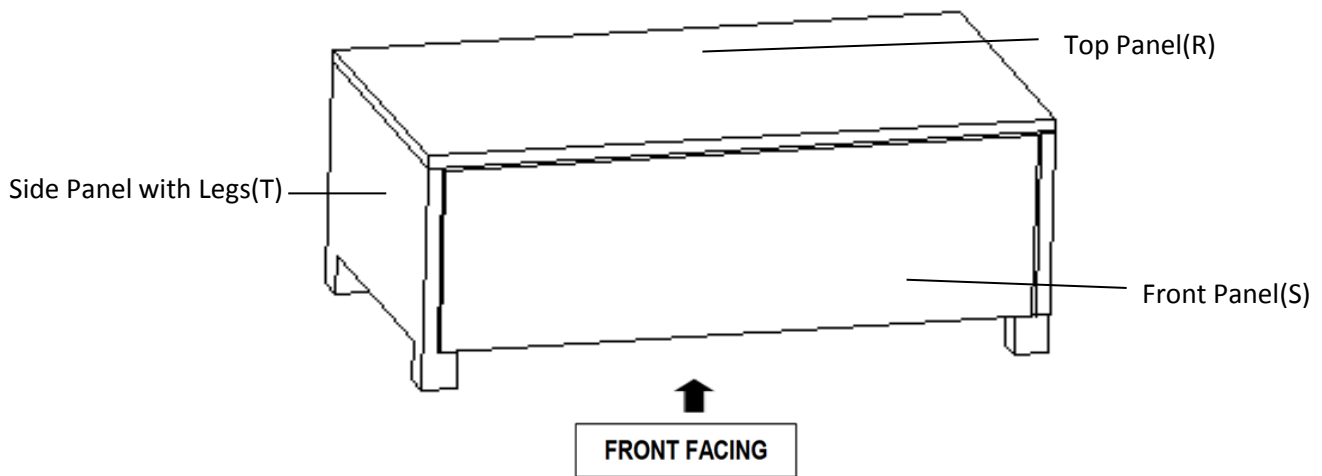
- Assemble on a clean non-marring surface (packing foam)-



- Save all packaging until finished-

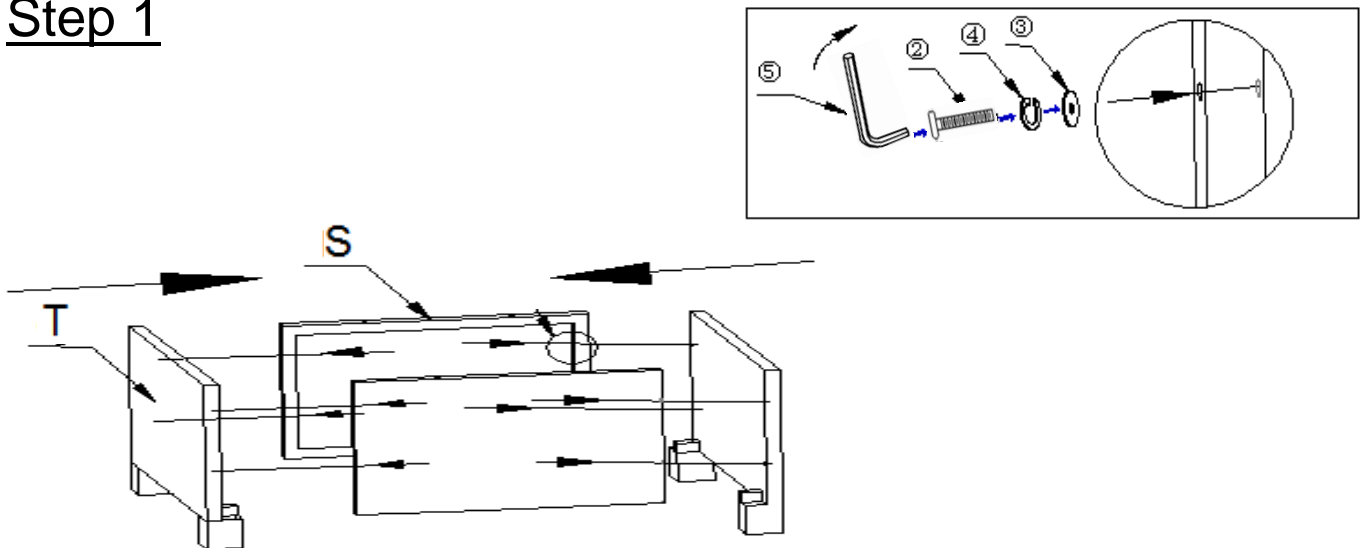
Assembly Steps

Overview



This Table has multiple parts and may require up to 30 minutes to assemble. To give you an overview of the Table parts, the above picture is to help you put the various parts into perspective. Please read through the instructions below to familiarise yourself with the parts and steps before assembly.

Step 1

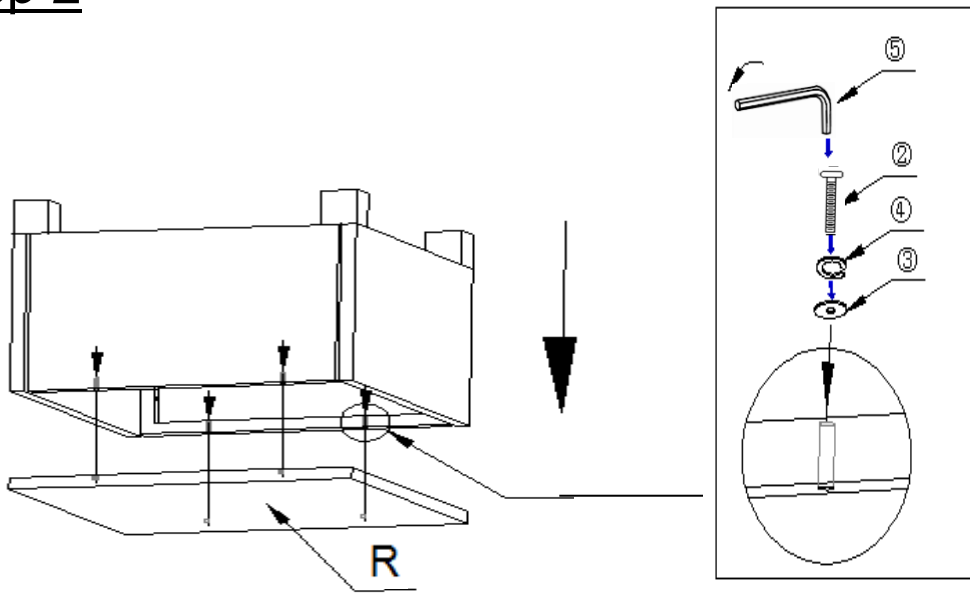


Open the carton and place all parts on a clean, non-marring surface.

Attach the Side Panels with Legs(T) to the Front and Back Panels(S) using Bolts(2), Spring Washers(4) and Washers(3) with Allen Key(5) as shown above.

Do not fully tighten the Bolts.

Step 2



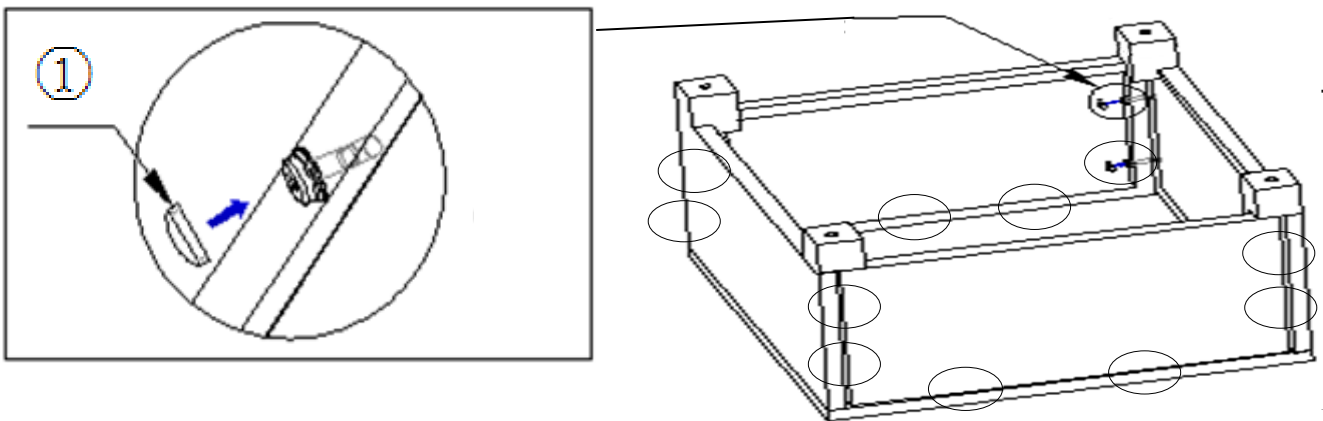
Place the Top Panel(R) facedown on a clean and soft surface.

With the help of your adult partner, turn the Table Frame over and place it onto the Top Panel(R) as shown above.

Attach the Top Panel(R) to the Front and Back Panels(S) and Side Panels with Legs(T) using Bolts(2), Spring Washers(4) and Washers(3) with Allen Key(5) as shown above.

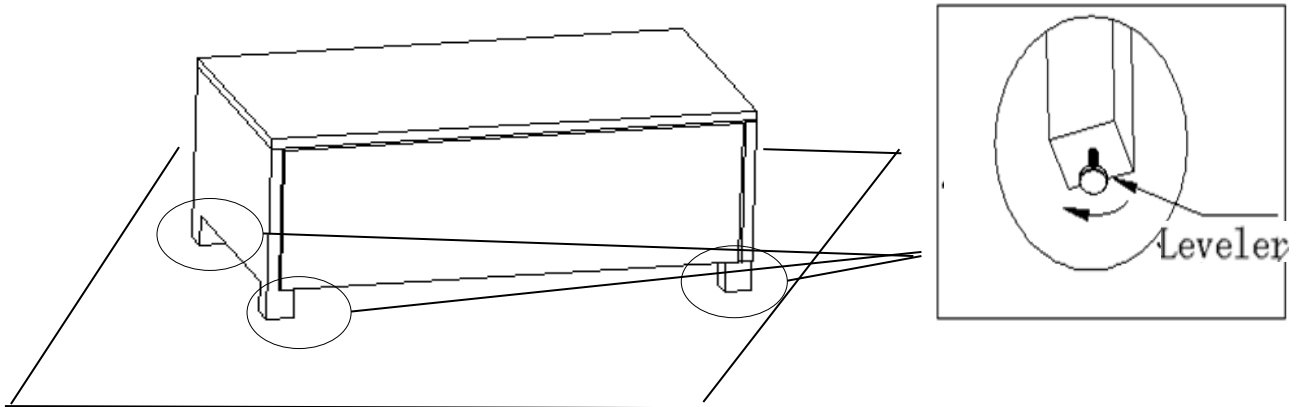
Tighten all Bolts at all joints completely at this stage.

Step 3



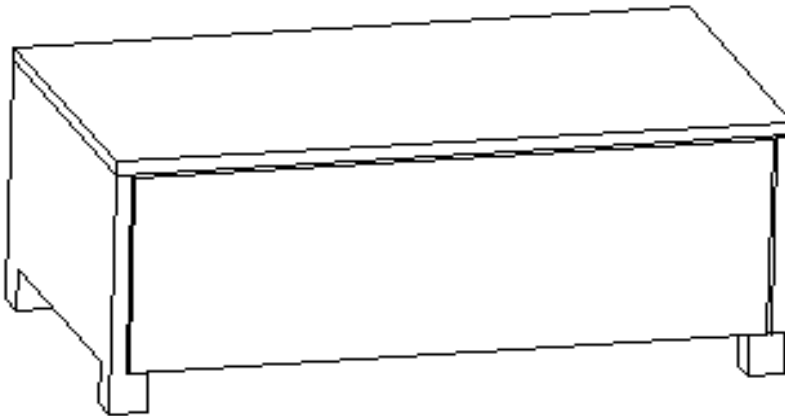
Use the Bolt Cap(1) to cover all Bolts.

Step 4























Place the Table on a level surface to check the wobbles.
If the Table wobbles, adjust the Levelers on the bottom of the Legs to make it level.

Step 5



Your Table is ready for use.
This Table can only be used on a flat, level surface.

Care & Maintenance

-   ● Do not put hot items directly on furniture surface
 -   ● Do not clean furniture with harsh cleansers or polish.
 -   ● To obtain the longest lifespan of your outdoor products, minimizing exposure to direct sunlight is recommended.
 -   ● Children should not climb or jump on the furniture.
 -   ● Do not write on furniture without a padded barrier to protect the surface.
 -   ● To obtain the longest lifespan of your outdoor products, avoid extended and lengthy exposure to rain, snow, and direct sunshine. Whenever possible cover the product and /or place under patio or awnings.
 -   ● Not for commercial use. For residential use only .
 -   ● Stains may be removed with mild soap solution and damp cloth.
 -   ● Keep away from sources of ignition.
-
-   ● Dust and pick-up spills using a clean, non-colored, lint-free cloth.

Questions & Answers about Proposition 65

• What is Proposition 65?

Proposition 65 requires businesses to provide warnings to Californians about significant exposures to chemicals that cause cancer, birth defects or other reproductive harm. These chemicals can be in the products that Californians purchase, in their homes or workplaces, or that are released into the environment. By requiring that this information be provided, Proposition 65 enables Californians to make informed decisions about their exposures to these chemicals. Proposition 65 also prohibits California businesses from knowingly discharging significant amounts of listed chemicals into sources of drinking water.

Proposition 65 requires California to publish a list of chemicals known to cause cancer, birth defects or other reproductive harm. This list, which must be updated at least once a year, has grown to include approximately 900 chemicals since it was first published in 1987.

• What types of chemicals are on the Proposition 65 list?

The list contains a wide range of naturally occurring and synthetic chemicals that include additives or ingredients in pesticides, common household products, food, drugs, dyes, or solvents. Listed chemicals may also be used in manufacturing and construction, or they may be byproducts of chemical processes, such as motor vehicle exhaust.

• What does a warning mean?

If a warning is placed on a product label or posted or distributed at a workplace, a business, or in rental housing, the business issuing the warning is aware or believes that it is exposing individuals to one or more listed chemicals.

By law, a warning must be given for listed chemicals unless the exposure is low enough to pose no significant risk of cancer or is significantly below levels observed to cause birth defects or other reproductive harm.

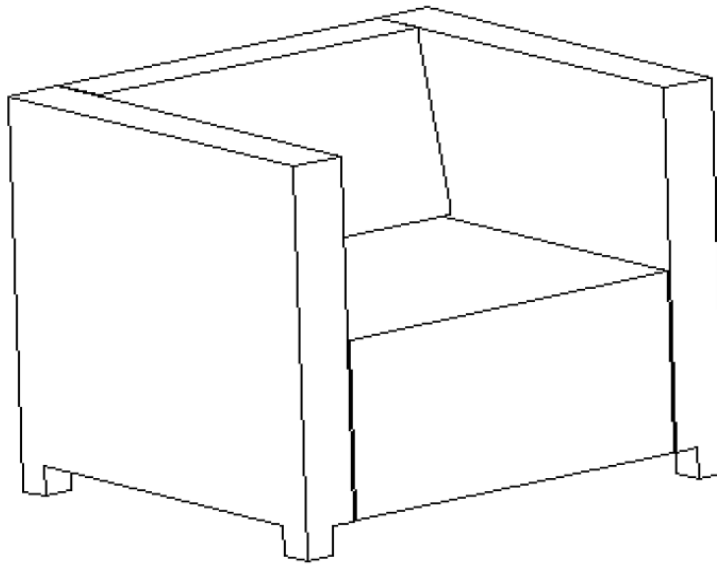
• Where can I get more information on Proposition 65?

If you have specific questions on the administration or implementation of Proposition 65, you can contact OEHHA's Proposition 65 program at P65.Questions@oehha.ca.gov, or by phone at (916) 445-6900.

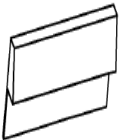
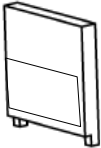

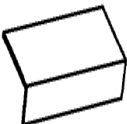
Assembly Instructions

Caution : You must read this before you proceed






Single Sofa



Parts List

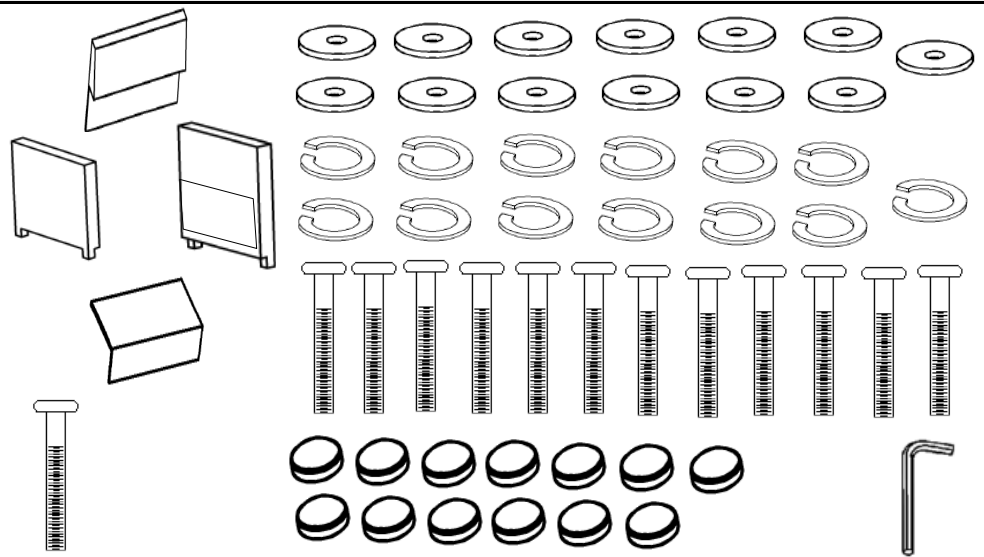
| Label | Picture | Description | QTY |
|-------|---|-----------------|-----|
| A |  | Sofa - Backrest | 1 |
| B |  | Right Armrest | 1 |
| C |  | Left Armrest | 1 |
| D |  | Sofa Seat | 1 |

Hardware

| Label | Picture | Description | QTY |
|-------|---|--------------------------|-----|
| F |  | Plastic Cap | 13 |
| G |  | Bolt M6*40mm | 13 |
| H |  | Washer | 13 |
| I |  | Spring Washer Ø16*2mm | 13 |
| J |  | Allen Key | 1 |

Assembly Preparation

Before Beginning Assembly:



- Read instructions, cover to cover-



- Have 2 adults on hand for assembly-



- Do not assemble on flooring or carpet-



- Assemble on a clean non-marring surface (packing foam)-



- Save all packaging until finished-

Assembly Steps

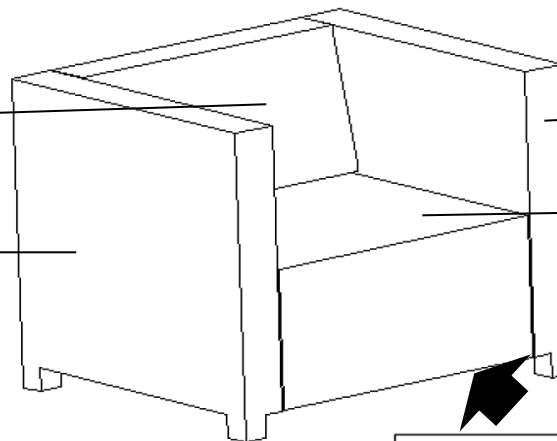
Overview

Sofa - Backrest(A)

Right Armrest(B)

Left Armrest(C)

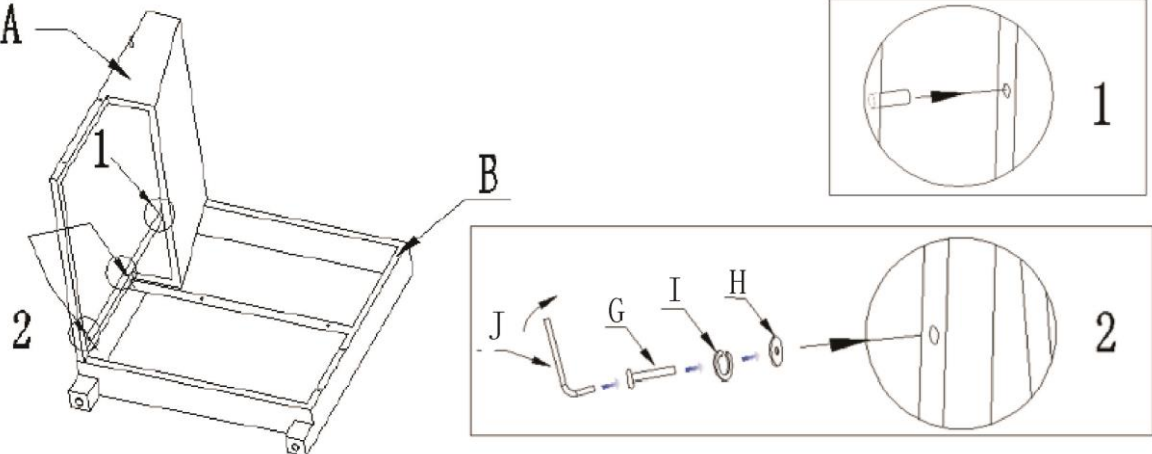
Sofa Seat(D)



FRONT FACING

This Single Sofa has multiple parts and may require up to some 30 minutes to assemble. To give you an overview of the Single Sofa parts, the above picture is to help you put the various parts into perspective. Please read through the instructions herebelow to familiarise yourself with the parts and steps before assembly.

Step 1



Open the carton and place all the parts onto a clean and soft surface.

Unpack all packages of hardware.

Place the Right Armrest (B) with its inside facing skywards.

Put the Backrest(A) against the Right Armrest(B), make the metal rod on the Backrest(A) insert into the MOUNTING POSITIONS of the Right Armrest(B) as picture 1 shows.

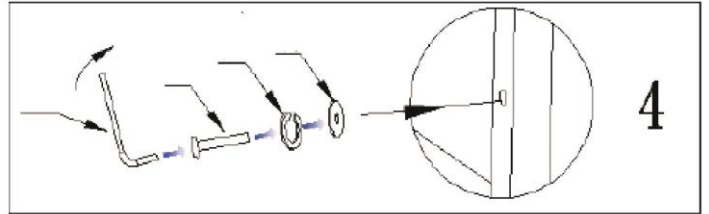
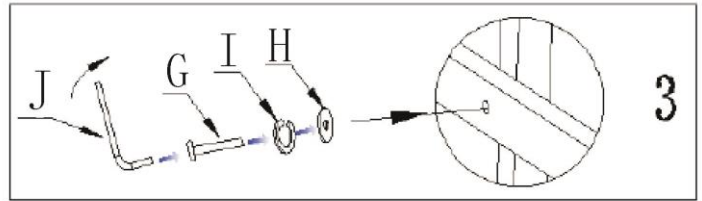
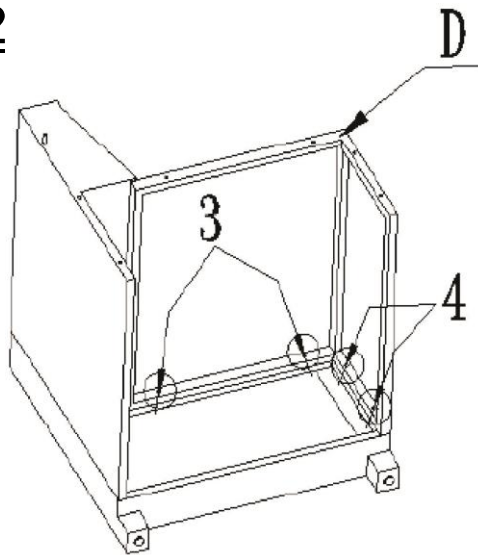
Then attach Backrest(A) and Right Armrest(B) together with hardware as picture 2 shows.

Use an Allen Key(K) to partially tighten these.

Do not fully tighten the bolts.

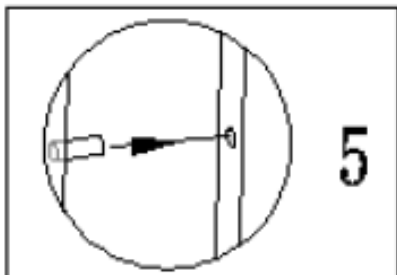
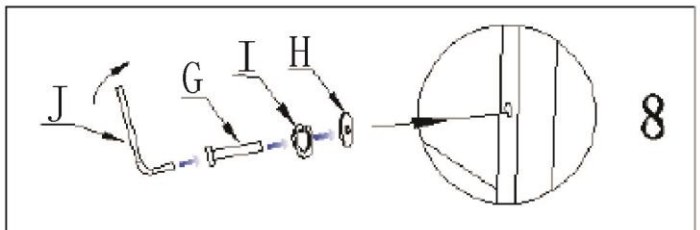
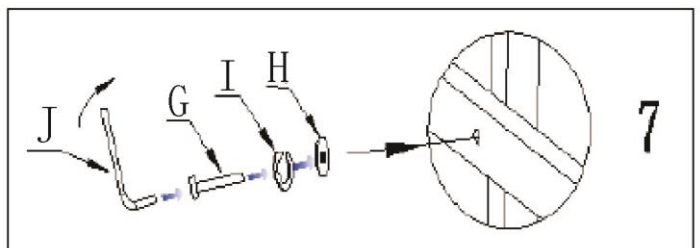
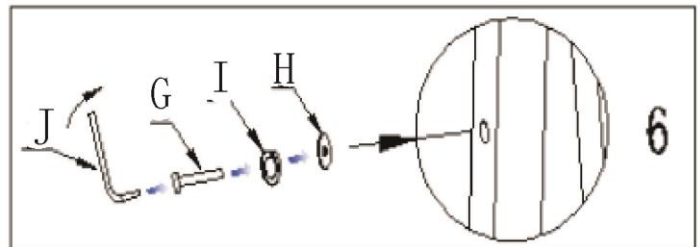
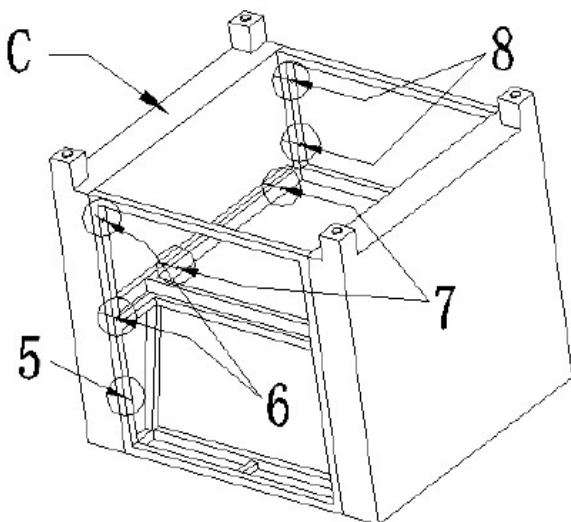
It can happen that some of the PE wicker covers the bolt points, preventing easy assembly the PE wicker should not be cut but only moved away from the mounting positions.

Step 2



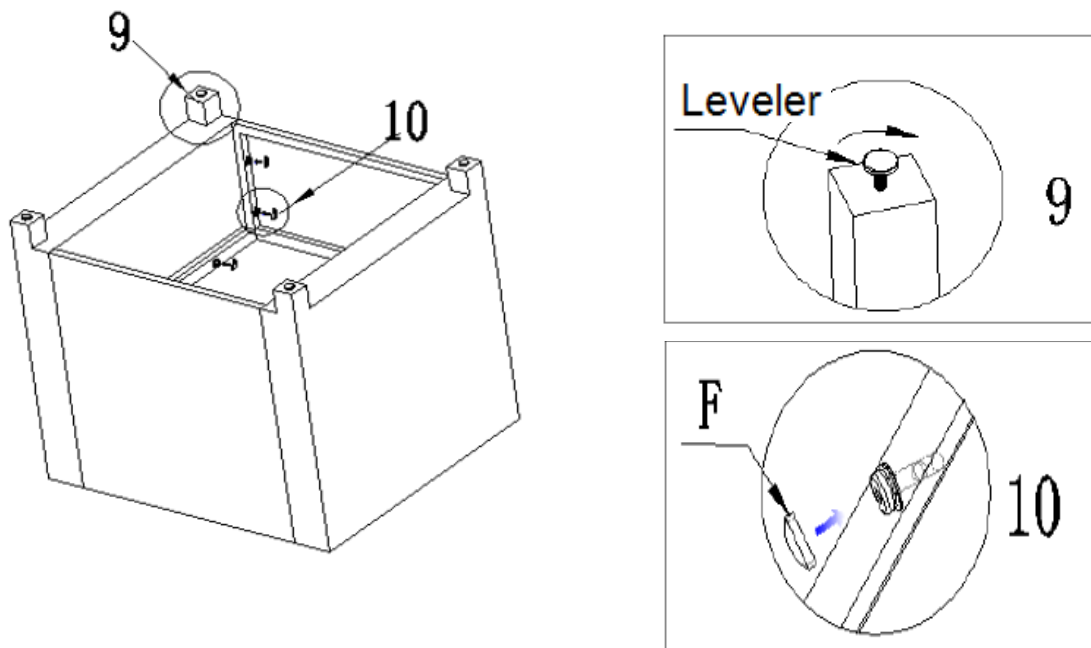
Place the Seat (D) between the Right Armrest(B) and Backrest(A).
Attach the Seat(D) to the Right Armrest(B) with hardware as picture 3 and 4 shows.
Use an Allen Key(L) to partially tighten these.
Do not fully tighten the bolts.

Step 3



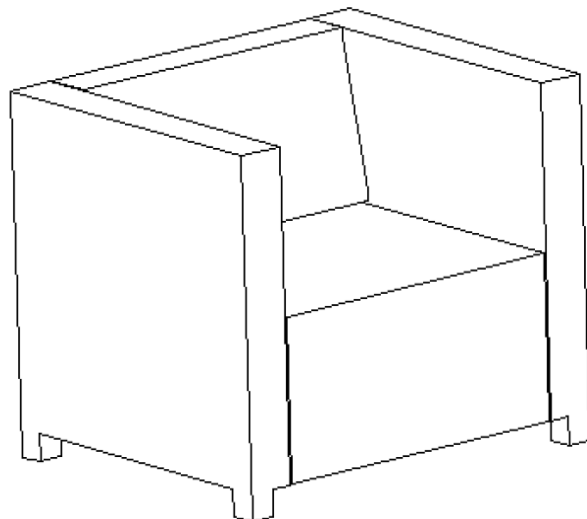
Place the Left Armrest (C) against the Backrest(A) and Seat(D).
Make the metal rod on the Backrest(A) insert into the MOUNTING POSITIONS of the Left Armrest(C) as picture 5 shows.
Attach the Left Armrest(C) to Backrest(A) with hardware as picture 6 shows.
Attach the Left Armrest(C) to Seat(D) with hardware as picture 7 and 8 shows.
Use an Allen Key(K) to partially tighten these.
Do not fully tighten the bolts.

Step 4























Tighten all bolts completely.
Put the Plastic Cap(F) to cover the bolt heads, adjust the Leveler to ensure good stability.

Step 5



It is ready for use.
This Single Sofa can only be used on a flat, level surface.

Care & Maintenance

-   Do not put hot items directly on furniture surface
 -   Do not clean furniture with harsh cleansers or polish.
 -   To obtain the longest lifespan of your outdoor products, minimizing exposure to direct sunlight is recommended.
 -   Children should not climb or jump on the furniture.
 -   Do not write on furniture without a padded barrier to protect the surface.
 -   To obtain the longest lifespan of your outdoor products, avoid extended and lengthy exposure to rain, snow, and direct sunshine. Whenever possible cover the product and /or place under patio or awnings.
 -   Not for commercial use. For residential use only .
 -   Stains may be removed with mild soap solution and damp cloth.
 -   Keep away from sources of ignition.
-
-   Dust and pick-up spills using a clean, non-colored, lint-free cloth .

What is Proposition 65?

Proposition 65 is a California law that requires warning labels on products that may contain one of more than 800-plus chemicals or ingredients that the California Office of Environmental Health Hazard Assessment (OEHHA) has deemed to cause cancer or other reproductive toxicity. Chemicals and elements on this list include wood dust, brass, and other everyday substances, which can be found in very common household items, such as: lamps, tableware, jewelry, crystal glasses, electric cords, beauty products, automobiles, and furniture.

Why Did I Find a Proposition 65 Warning on My Home Goods Product?

We include Proposition 65 warnings on all of our products because there is always a chance that one of the 800-plus common chemicals and ingredients listed under this law could potentially be on our furniture or packing materials. We risk large fines under this law, if we don't include this warning.

Should I worry?

We realize you may be worried finding this warning on our products, but we want to reassure you that the hazardous exposure limits for any of these chemicals have never been found on furniture products that we've shipped to our customers. Additionally, this warning label is very common and can be found on almost every piece of furniture sold in the state of California.

Just How Common Are Proposition 65 Warnings?

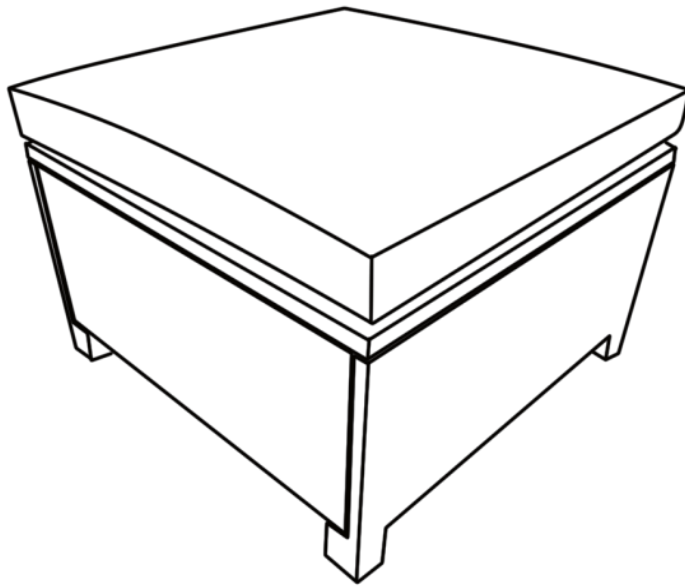
Proposition 65 warnings have become so common in California that it is hard to take a trip to a local bank, grocery store, or restaurant without finding at least one warning. In fact, even the Disney Land Resort has a Proposition 65 warning:



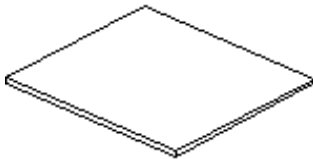
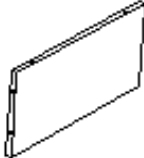
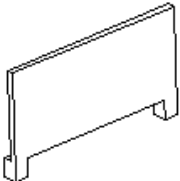
Assembly Instructions

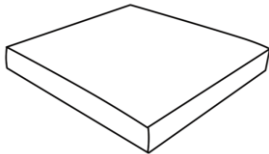
Caution : You must read this before you proceed

Ottoman








Parts List

| Label | Picture | Description | QTY |
|-------|---|------------------|-----|
| O |  | Top Panel | 1 |
| P |  | Front/Back Panel | 2 |
| Q |  | Side Panel | 2 |

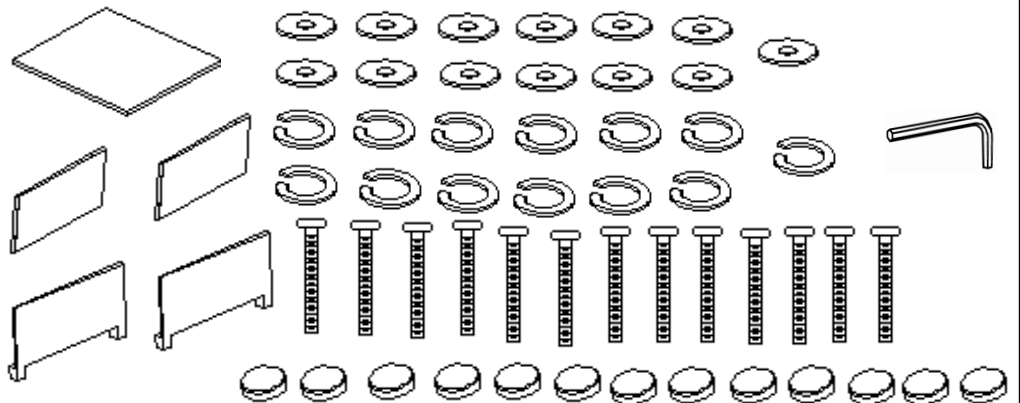
| | | | |
|---|---|--------------|---|
| U |  | Seat Cushion | 1 |
|---|---|--------------|---|

Hardware

| Label | Picture | Description | QTY |
|-------|---|----------------------------|-----|
| ① |  | Bolt Cap | 13 |
| ② |  | Bolt (M6*40mm) | 13 |
| ③ |  | Washer | 13 |
| ④ |  | Spring Washer (Ø16*2mm) | 13 |
| ⑤ |  | Allen Key | 1 |

Assembly Preparation

Before Beginning Assembly:



- Read instructions, cover to cover-



- Have 2 adults on hand for assembly-



- Do not assemble on flooring or carpet-



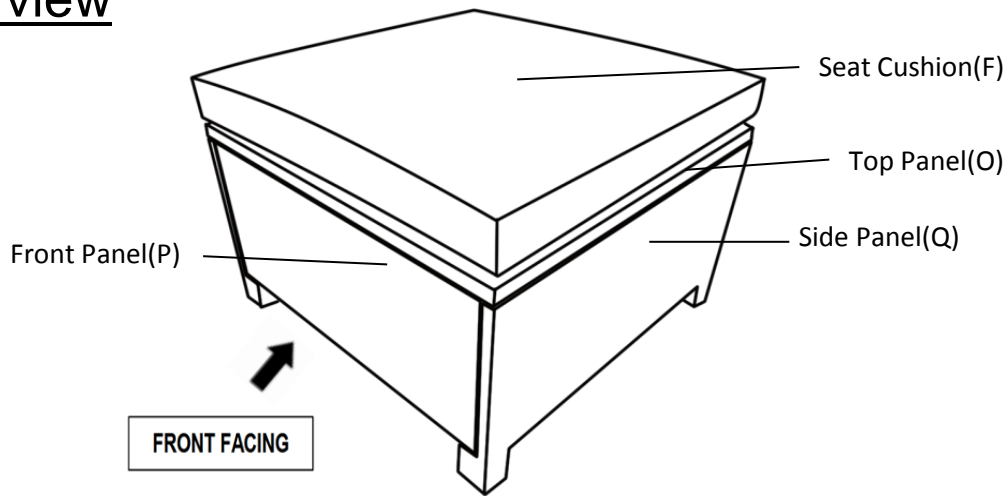
- Assemble on a clean non-marring surface (packing foam)-



- Save all packaging until finished-

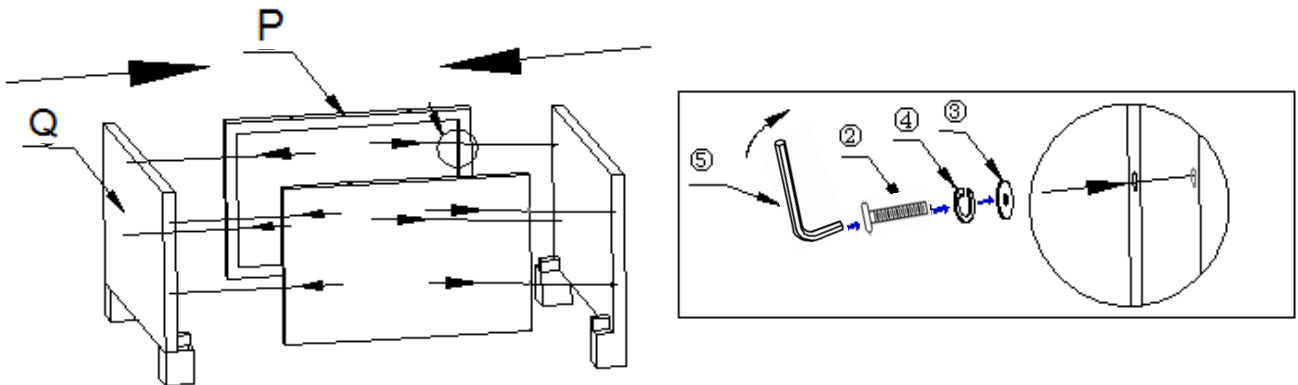
Assembly Steps

Overview



This Ottoman has multiple parts and may require up to 30 minutes to assemble. To give you an overview of the Ottoman parts, the above picture is to help you put the various parts into perspective. Please read through the instructions below to familiarise yourself with the parts and steps before assembly.

Step 1

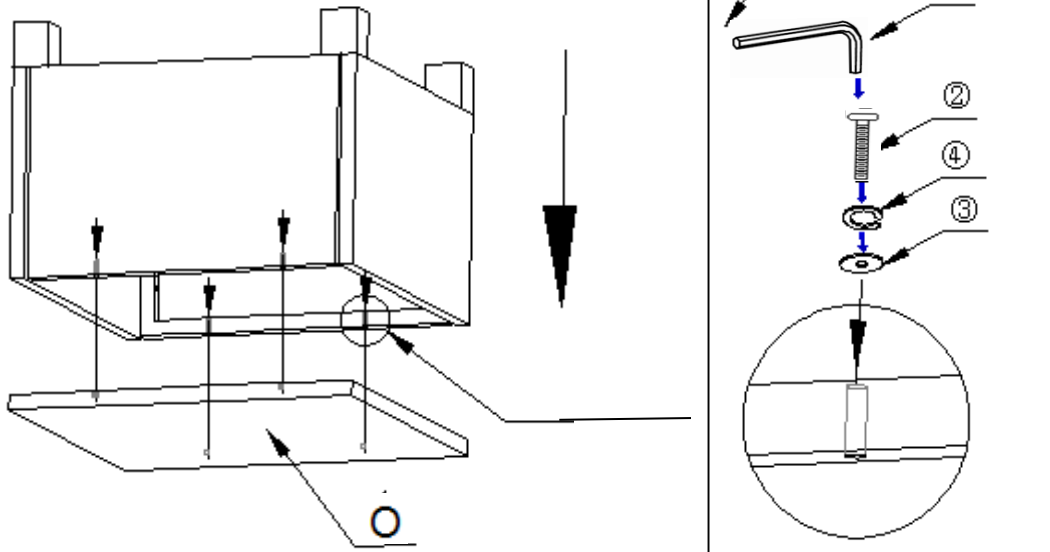


Open the carton and place all parts on a clean, non-marring surface.

Attach the Side Panels(Q) to the Front and Back Panels(P) using Bolts(2), Spring Washers(4) and Washers(3) with Allen Key(5) as shown above.

Do not fully tighten the Bolts.

Step 2



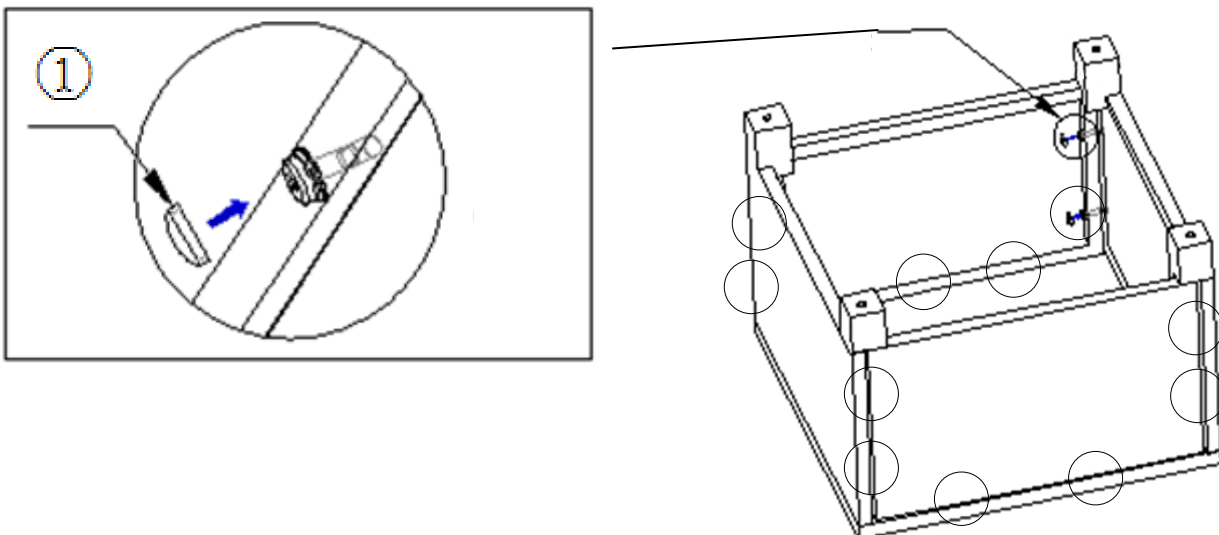
Place the Top Panel(O) facedown on a clean and soft surface.

With the help of your adult partner, turn the Table Frame over and place it onto the Top Panel(O) as shown above.

Attach the Top Panel(O) to the Front and Back Panels(P) and Side Panels(Q) using Bolts(2), Spring Washers(4) and Washers(3) with Allen Key(5) as shown above.

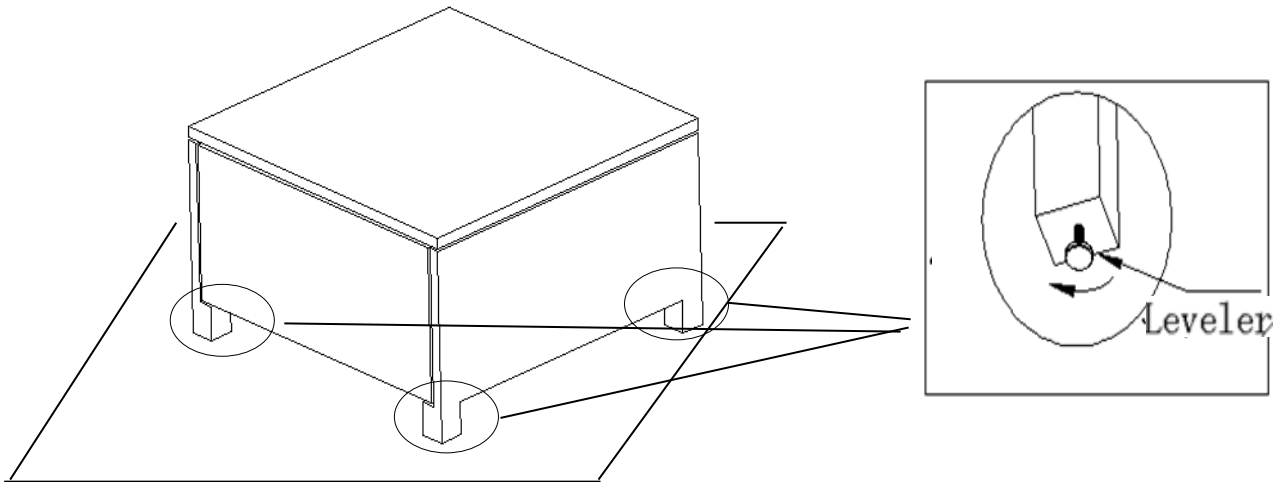
Tighten all Bolts at all joints completely at this stage.

Step 3



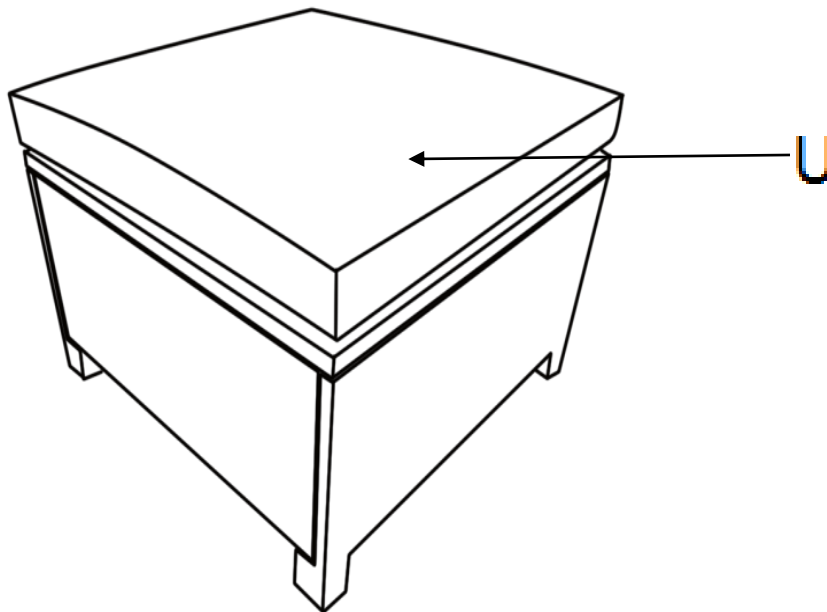
Use the Bolt Cap(1) to cover all Bolts.

Step 4























Place the Ottoman on a level surface to check the wobbles.
If the Ottoman wobbles, adjust the Levelers on the bottom of the Legs to make it level.

Step 5



Place the Seat Cushion(U) on the ottoman.
Your Ottoman is ready for use.
This Ottoman can only be used on a flat, level surface.

Care & Maintenance

-   Do not put hot items directly on furniture surface
 -   Do not clean furniture with harsh cleansers or polish.
 -   To obtain the longest lifespan of your outdoor products, minimizing exposure to direct sunlight is recommended.
 -   Children should not climb or jump on the furniture.
 -   Do not write on furniture without a padded barrier to protect the surface.
 -   To obtain the longest lifespan of your outdoor products, avoid extended and lengthy exposure to rain, snow, and direct sunshine. Whenever possible cover the product and /or place under patio or awnings.
 -   Not for commercial use. For residential use only .
 -   Stains may be removed with mild soap solution and damp cloth.
 -   Keep away from sources of ignition.
-
-   Dust and pick-up spills using a clean, non-colored, lint-free cloth .

What is Proposition 65?

Proposition 65 is a California law that requires warning labels on products that may contain one of more than 800-plus chemicals or ingredients that the California Office of Environmental Health Hazard Assessment (OEHHA) has deemed to cause cancer or other reproductive toxicity. Chemicals and elements on this list include wood dust, brass, and other everyday substances, which can be found in very common household items, such as: lamps, tableware, jewelry, crystal glasses, electric cords, beauty products, automobiles, and furniture.

Why Did I Find a Proposition 65 Warning on My Home Goods Product?

We include Proposition 65 warnings on all of our products because there is always a chance that one of the 800-plus common chemicals and ingredients listed under this law could potentially be on our furniture or packing materials. We risk large fines under this law, if we don't include this warning.

Should I worry?

We realize you may be worried finding this warning on our products, but we want to reassure you that the hazardous exposure limits for any of these chemicals have never been found on furniture products that we've shipped to our customers. Additionally, this warning label is very common and can be found on almost every piece of furniture sold in the state of California.

Just How Common Are Proposition 65 Warnings?

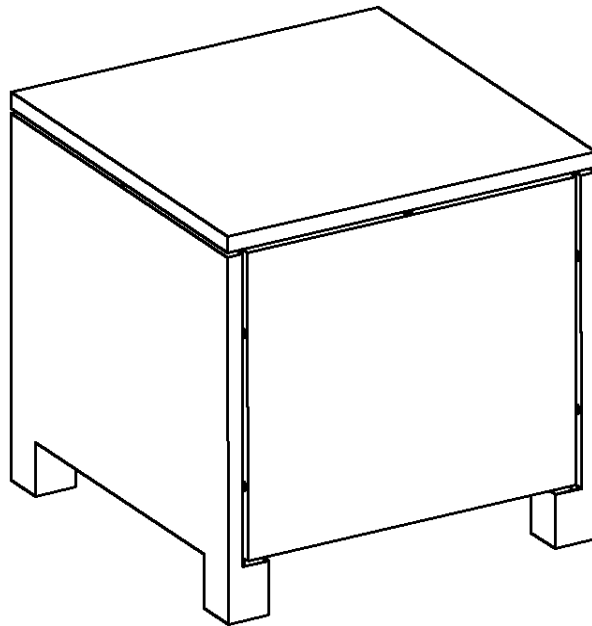
Proposition 65 warnings have become so common in California that it is hard to take a trip to a local bank, grocery store, or restaurant without finding at least one warning. In fact, even the Disney Land Resort has a Proposition 65 warning:



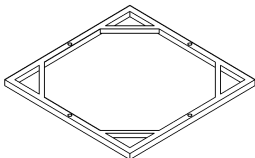
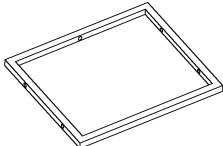
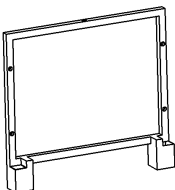
Assembly Instructions

Caution : You must read this before you proceed






Table



Parts List

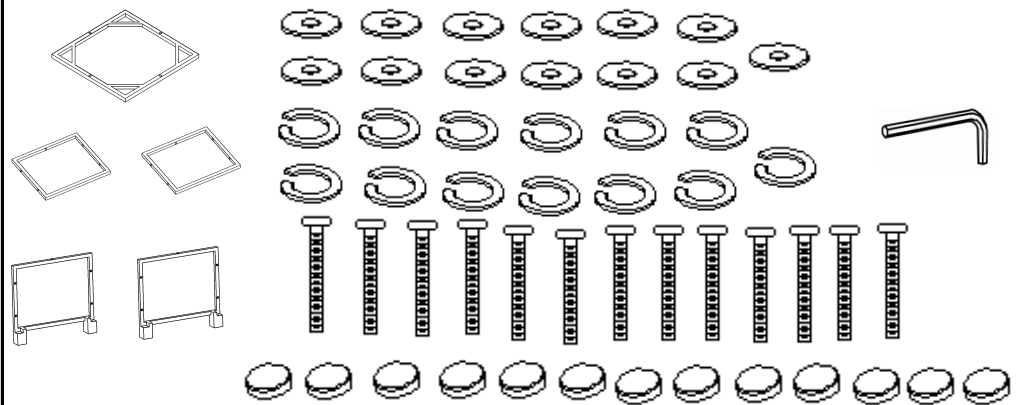
| Label | Picture | Description | QTY |
|-------|---|------------------|-----|
| V |  | Top Panel | 1 |
| W |  | Front/Back Panel | 2 |
| X |  | Side Panel | 2 |

Hardware

| Label | Picture | Description | QTY |
|-------|--|-------------------------|-----|
| ① |  | Bolt Cap | 13 |
| ② |  | Bolt (M6*40mm) | 13 |
| ③ |  | Washer | 13 |
| ④ |  | Spring Washer (Ø16*2mm) | 13 |
| ⑤ |  | Allen Key | 1 |

Assembly Preparation

Before Beginning Assembly:



- Read instructions, cover to cover-



- Have 2 adults on hand for assembly-



- Do not assemble on flooring or carpet-



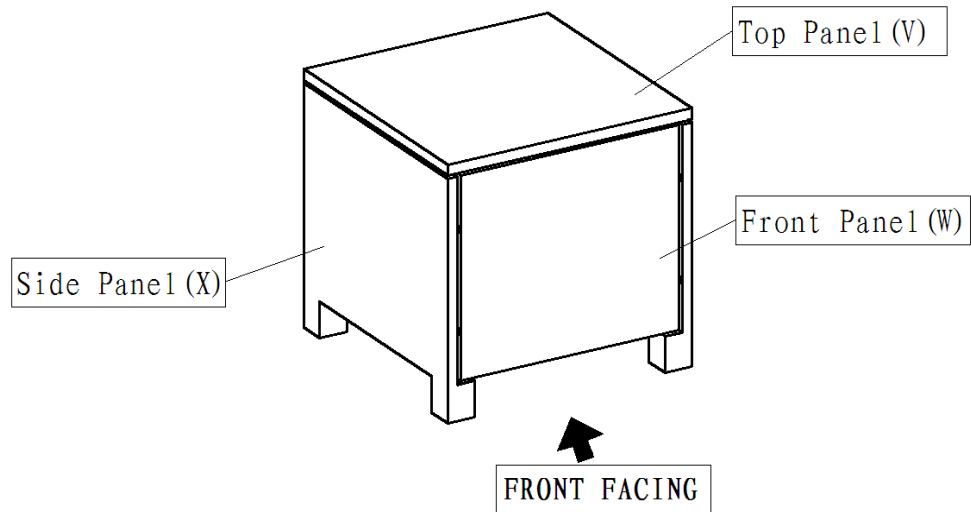
- Assemble on a clean non-marring surface (packing foam)-



- Save all packaging until finished-

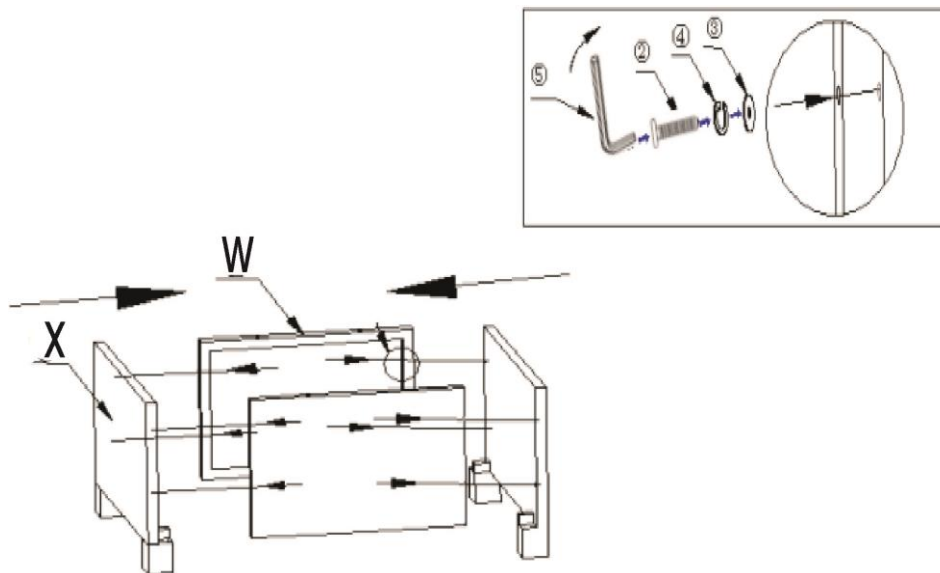
Assembly Steps

Overview



This Table has multiple parts and may require up to 30 minutes to assemble. To give you an overview of the Table parts, the above picture is to help you put the various parts into perspective. Please read through the instructions below to familiarise yourself with the parts and steps before assembly.

Step 1

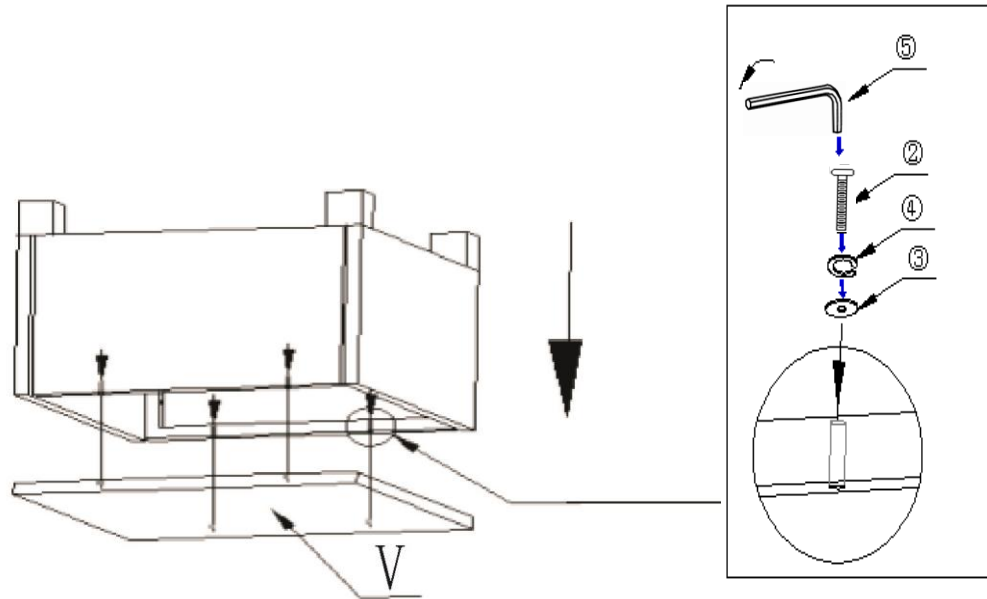


Open the carton and place all parts on a clean, non-marring surface.

Attach the Side Panels(X) to the Front and Back Panels(W) using Bolts(2), Spring Washers(4) and Washers(3) with Allen Key(5) as shown above.

Do not fully tighten the Bolts.

Step 2



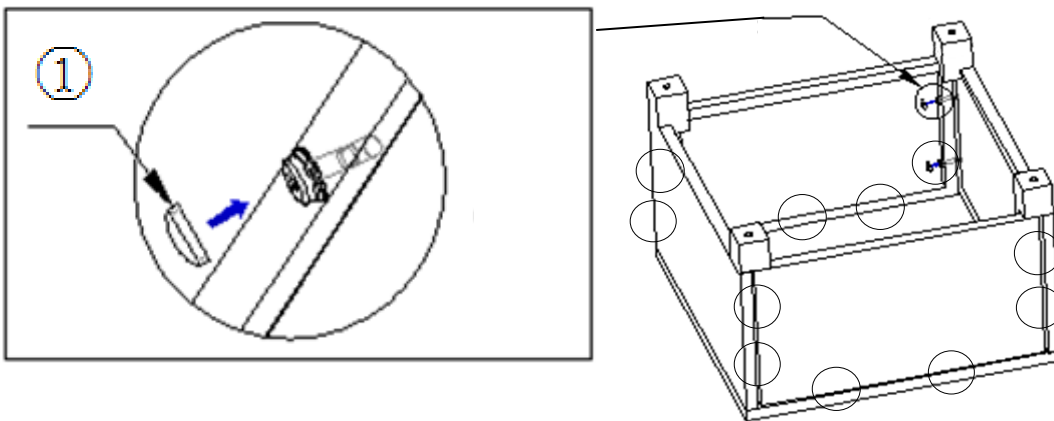
Place the Top Panel(V) facedown on a clean and soft surface.

With the help of your adult partner, turn the Table Frame over and place it onto the Top Panel(R) as shown above.

Attach the Top Panel(R) to the Front and Back Panels(S) and Side Panels(T) using Bolts(2), Spring Washers(4) and Washers(3) with Allen Key(5) as shown above.

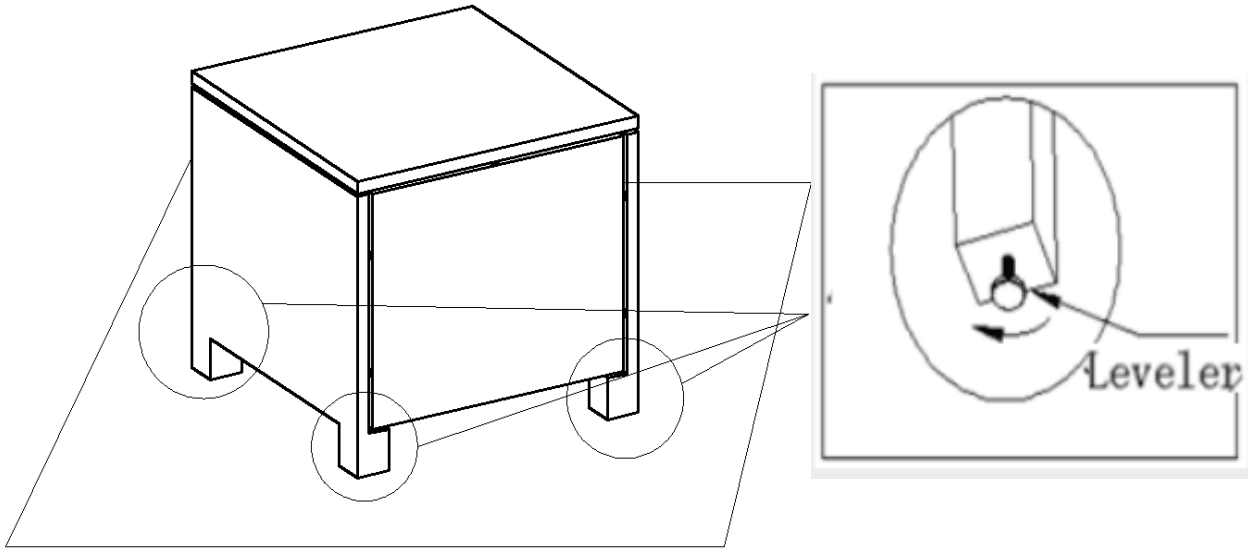
Tighten all Bolts at all joints completely at this stage.

Step 3



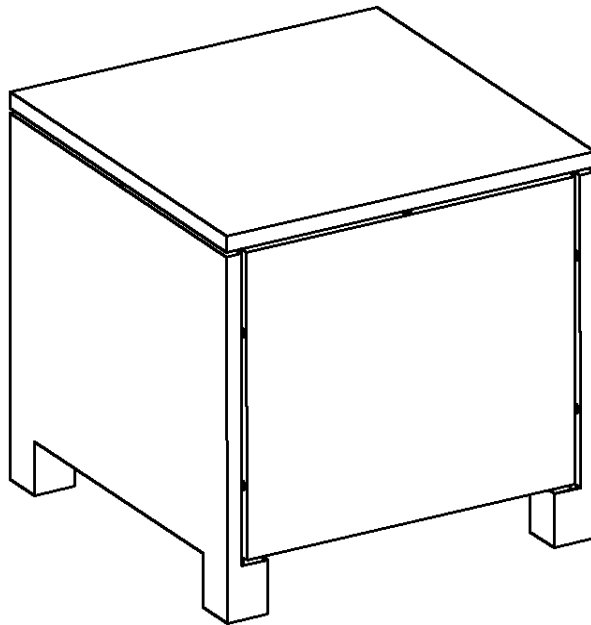
Use the Bolt Cap(1) to cover all Bolts.

Step 4























Place the Table on a level surface to check the wobbles.
If the Table wobbles, adjust the Levelers on the bottom of the Legs to make it level.

Step 5



Your Table is ready for use.
This Table can only be used on a flat, level surface.

Care & Maintenance

-   ● Do not put hot items directly on furniture surface
 -   ● Do not clean furniture with harsh cleansers or polish.
 -   ● To obtain the longest lifespan of your outdoor products, minimizing exposure to direct sunlight is recommended.
 -   ● Children should not climb or jump on the furniture.
 -   ● Do not write on furniture without a padded barrier to protect the surface.
 -   ● To obtain the longest lifespan of your outdoor products, avoid extended and lengthy exposure to rain, snow, and direct sunshine. Whenever possible cover the product and /or place under patio or awnings.
 -   ● Not for commercial use. For residential use only .
 -   ● Stains may be removed with mild soap solution and damp cloth.
 -   ● Keep away from sources of ignition.
-
-   ● Dust and pick-up spills using a clean, non-colored, lint-free cloth .

What is Proposition 65?

Proposition 65 is a California law that requires warning labels on products that may contain one of more than 800-plus chemicals or ingredients that the California Office of Environmental Health Hazard Assessment (OEHHA) has deemed to cause cancer or other reproductive toxicity. Chemicals and elements on this list include wood dust, brass, and other everyday substances, which can be found in very common household items, such as: lamps, tableware, jewelry, crystal glasses, electric cords, beauty products, automobiles, and furniture.

Why Did I Find a Proposition 65 Warning on My Home Goods Product?

We include Proposition 65 warnings on all of our products because there is always a chance that one of the 800-plus common chemicals and ingredients listed under this law could potentially be on our furniture or packing materials. We risk large fines under this law, if we don't include this warning.

Should I worry?

We realize you may be worried finding this warning on our products, but we want to reassure you that the hazardous exposure limits for any of these chemicals have never been found on furniture products that we've shipped to our customers. Additionally, this warning label is very common and can be found on almost every piece of furniture sold in the state of California.

Just How Common Are Proposition 65 Warnings?

Proposition 65 warnings have become so common in California that it is hard to take a trip to a local bank, grocery store, or restaurant without finding at least one warning. In fact, even the Disney Land Resort has a Proposition 65 warning:

