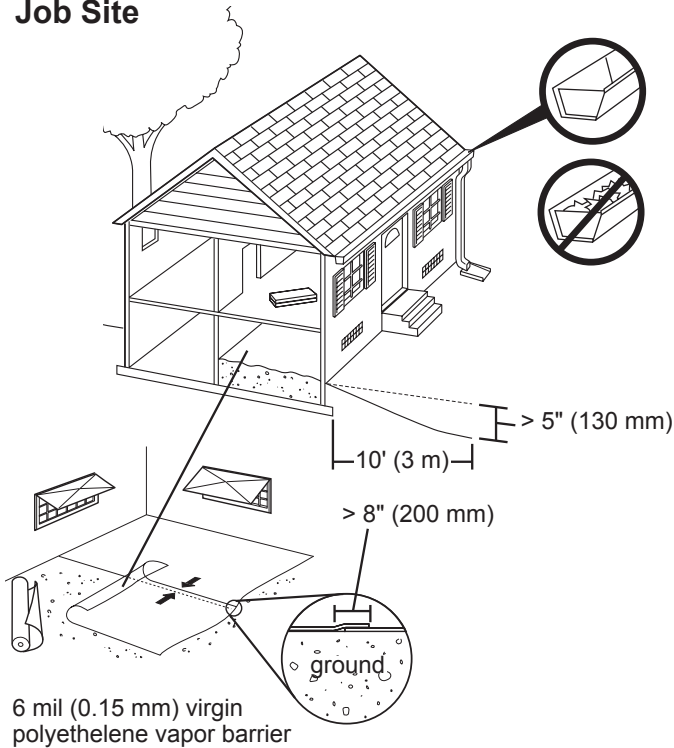


**PERGO XP Install Instructions**

**Tools Required for Installation**

Common Tools	Other Tools and Supplies
<p>Wood Glue            Carbide 40T Blade</p>	<p>Laminate floor tapping block and 5mm (3/16") spacers            Finishing Putty            Mildew-resistant silicone            Felt furniture pads            Moisture Meter</p>

**Job Site**



**Site Requirements**

Laminate is a durable floor covering, not intended as structural material. Laminate requires a clean, dry, secure subfloor that meets building codes.

Laminate floor is suitable for use in climate controlled (35-65% RH and 60-85° F) indoor installations only and should not be installed in rooms with floor drains or sump pumps. Laminate floor can be installed above, on or below grade.

A moisture test is strongly recommended to determine if high moisture exists in the subfloor. When using a calcium chloride moisture test for concrete subfloors (ASTM 1869), values must be ≤ 5 lbs/1000ft<sup>2</sup>/24-hr or <80% with an in situ probe (ASTM F2170). Moisture readings of wood subfloors must be ≤ 12%.

Acceptable job site conditions, including relative humidity and subfloor moisture conditions, must be maintained throughout the lifetime of the flooring.

Laminate flooring is installed as a floating floor and requires the use of T-moldings in doorways 4 ft (1.22m) or less and in rooms 40 feet (12.2 m) or larger in length or width. Floor movement must not be constrained by glue, nails, screws, hardware or other fixed obstructions.

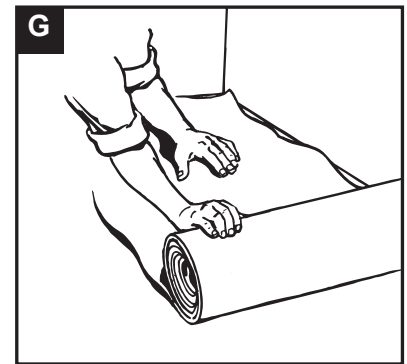
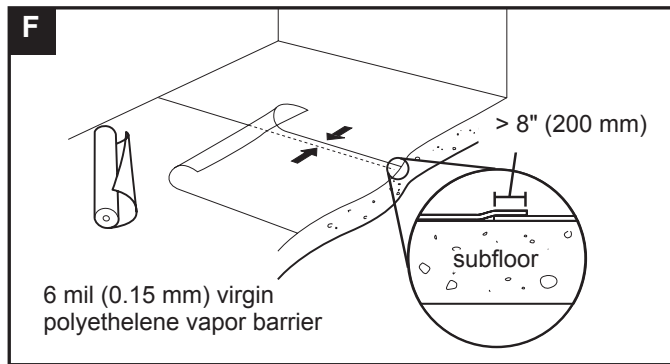
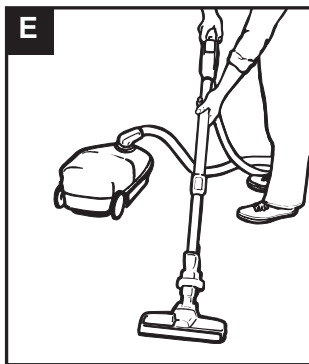
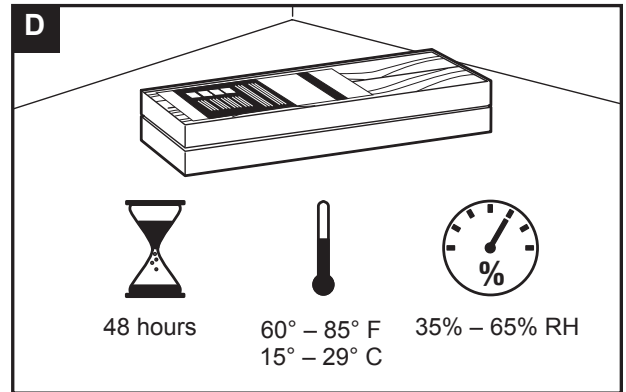
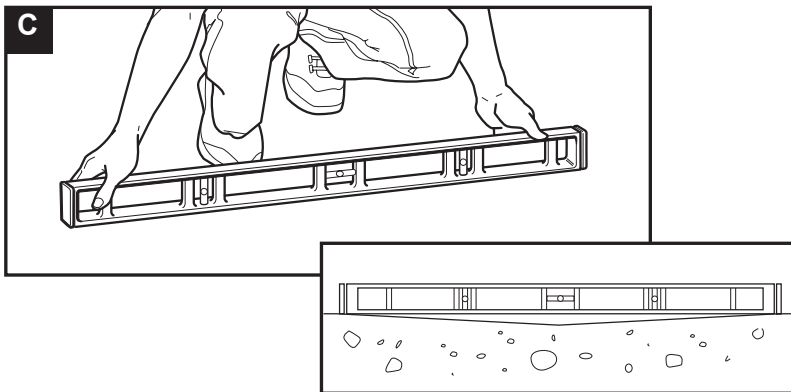
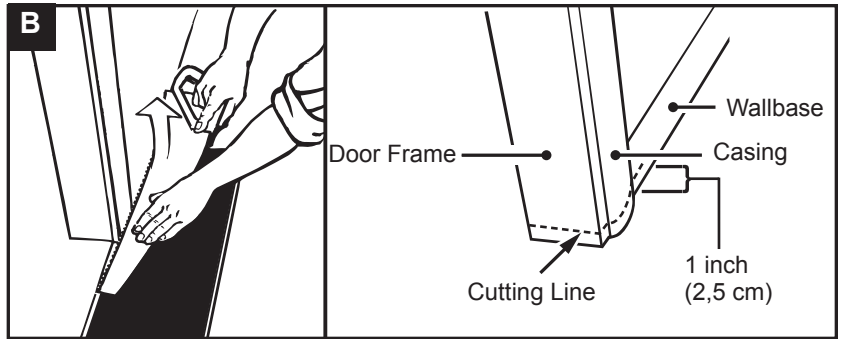
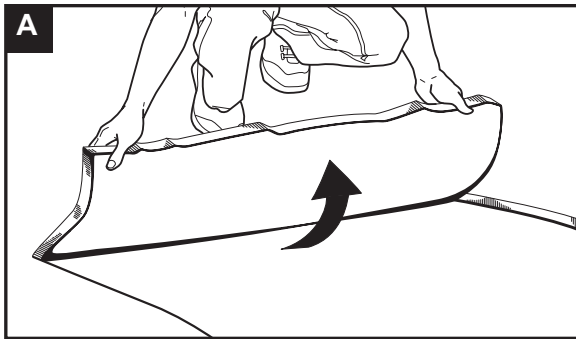
This product must be installed in accordance with these installation instructions.

**DO NOT tap joints together.**

**For more information, call 1-800-33-PERGO.**

# PERGO XP Install Instructions

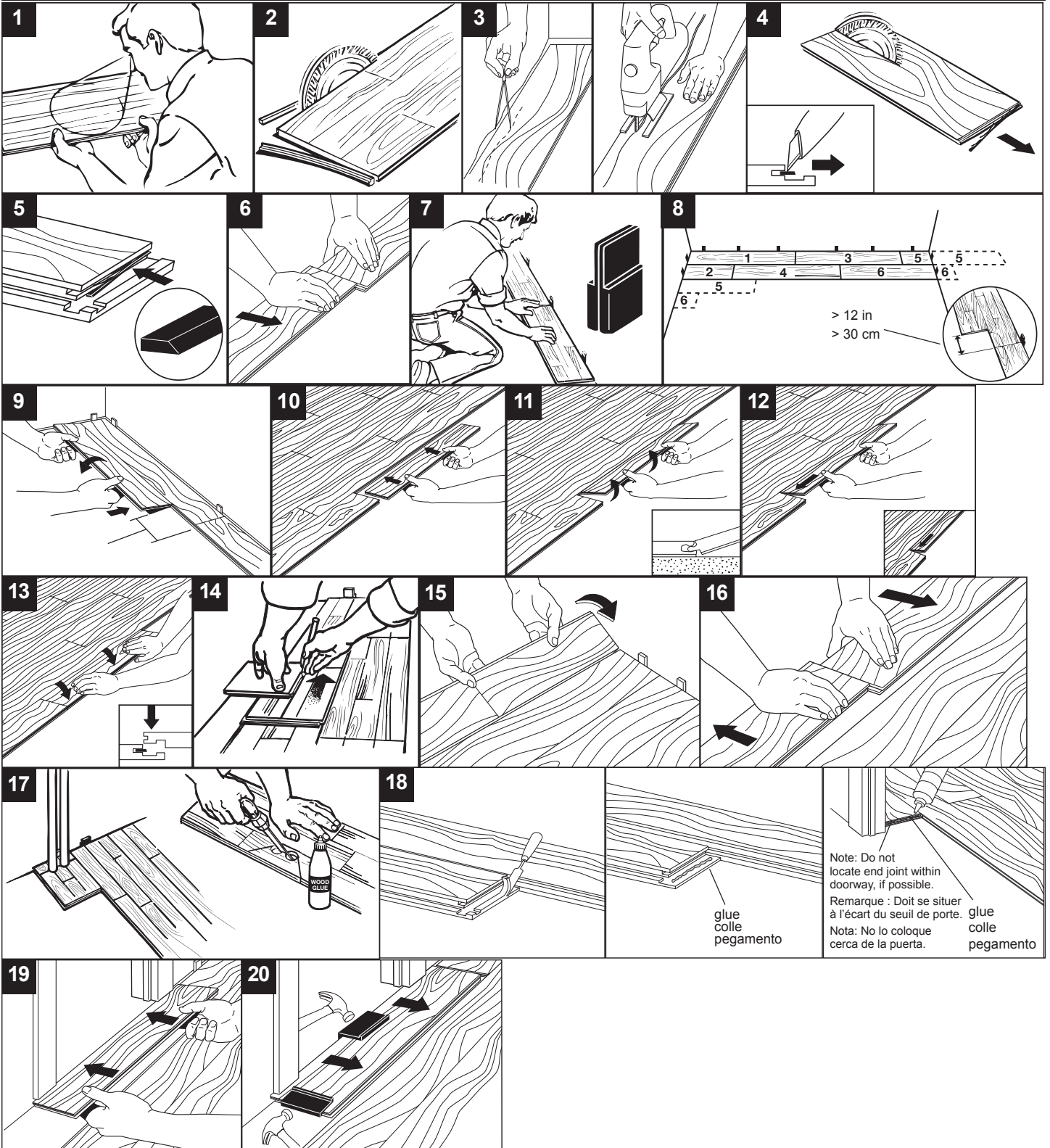
## Site and Material Preparation



## Site and Material Preparation

- A) Remove carpet and padding. Also remove any wood flooring installed on concrete. Do not remove products unless they are asbestos-free.
- B) Undercut door frame and wallbase. Slide the flooring at least  $\frac{1}{4}$ " underneath the door frame and wallbase. Also leave a concealed  $\frac{3}{8}$ " minimum expansion space under each.
- C) Remove bumps or peaks in subfloor and fill depressions with floor leveling compound to ensure no more than  $\frac{3}{16}$ " unevenness per 10-foot span.
- D) Acclimate unopened product before installation.
- E) Clean debris from subfloor before installation.
- F) For concrete subfloors, install vapor barrier with **overlapped** seams of 8" or more.
- G) For planks without attached underlayment, install over single layer of underlayment appropriate for laminate floors.

# PERGO XP Install Instructions



# PERGO XP Install Instructions

## Flooring Installation

1. Inspect each plank.
2. For the first row along straight walls, remove the tongue on all long side joints and on the short side of the 1st plank only.
3. For uneven walls, trace contour on tongue-side of plank and cut.
4. **SAFETY NOTE:** For flooring with a plastic tongue, remove the plastic tongue before cutting the length of the plank.
5. Cut the plastic tongue 3/8" shorter than the width of the cut plank. Starting at the edge of the plank, re-insert the plastic tongue firmly into the groove.
6. For assembly of first row, align and slide plank end joints together.
7. Two spacers thick side to thick side = 3/8".
- 8-12. Provide a 3/8" space for expansion on all sides. First piece must be at least 8" long. Start new rows with pieces trimmed from previous row. Ensure at least a 12" end joint offset.
13. For products with plastic inserts, be sure to fully lock the end joint.
14. For the last row, align the plank to be used on top of the 2nd to last row. Using a full width plank as a spacer, trace wall contour and cut plank.

## Plank Disassembly

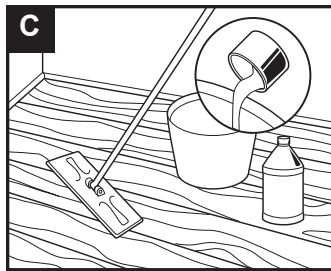
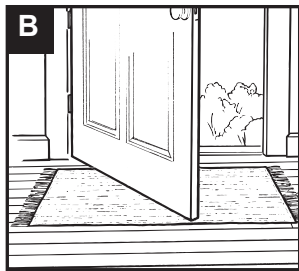
15. Lift row.
16. Slide end joint apart.

## Installation Around Fixed Objects (such as Pipes)

17. Allow 3/8" expansion space around pipes or other fixed objects.

## Installation Under Doorway Frames

18. Remove lock on lower lip of the groove and apply a small bead of wood glue in its place.
19. Slide plank under pre-cut door frame.
20. Tap the long side joint closed first. Then tap the end joint closed.



## Care and Cleaning

- A) Place felt floor protectors under legs of moveable furniture. Chair casters should be rubber – not plastic or metal.
- B) Place walk-off mats at entrances.
- C) **Dust mop or damp mop only. NO wet mopping.** Use 1 cup of vinegar per gallon of water OR  $\frac{1}{3}$  cup ammonia per gallon of water. Do not use abrasive cleaners, detergents, soaps, waxes or polishes. Use correct hard surface vacuum tools. **DO NOT** use rotating beater bars, floor scrubbers, steamers, jet mops or similar products. **DO NOT** allow liquids to stand on the floor. Wipe up spills immediately. **DO NOT allow moisture to be on the floor for longer than 30 minutes.**