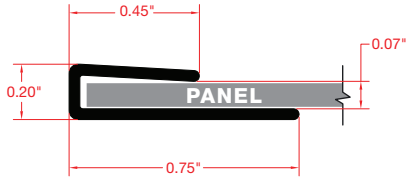


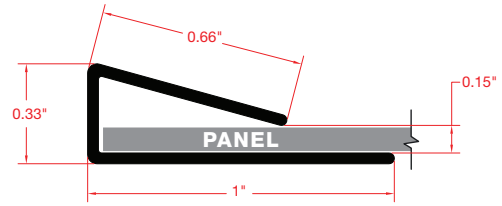
Standard Profile Edge J-Trim

accommodates panels up to approximately 2 mm (5/64")



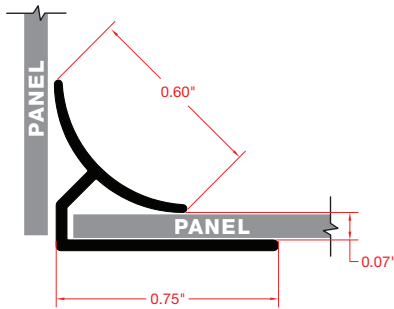
Large Profile Edge J-Trim

accommodates panels up to approximately 4 mm (5/32")



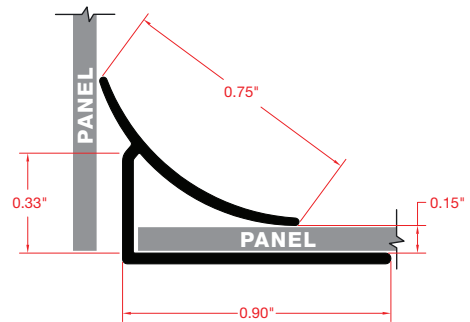
Standard Profile Inside Corner Trim

accommodates panels up to approximately 2 mm (5/64")



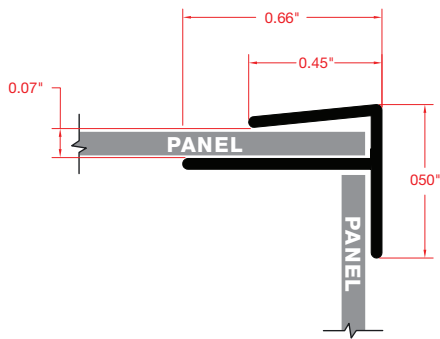
Large Profile Inside Corner Trim

accommodates panels up to approximately 4 mm (5/32")



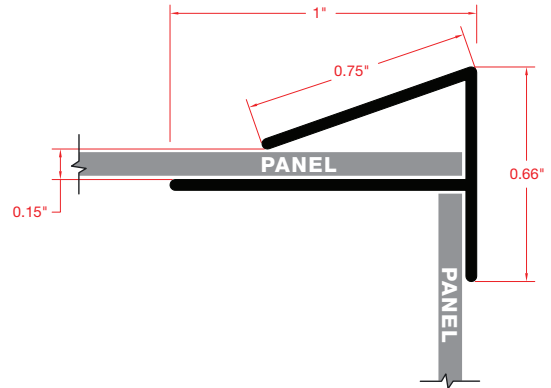
Standard Profile Outside Corner Trim

accommodates panels up to approximately 2 mm (5/64")



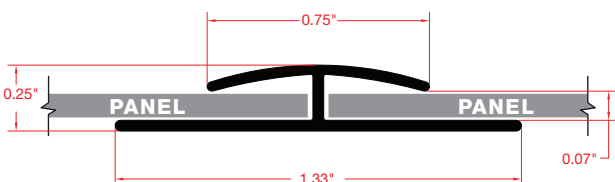
Large Profile Outside Corner Trim

accommodates panels up to approximately 4 mm (5/32")



Standard Profile Divider Trim

accommodates panels up to approximately 2 mm (5/64")



Large Profile Divider Trim

accommodates panels up to approximately 4 mm (5/32")

