

Privacy Gate Assembly Instructions

TOOLS REQUIRED

- Post Hole Digger or Power Auger (min. 12" diameter auger required)
- String Line, Stakes and String Level
- Level (36" or longer)
- Shovel and Hoe
- Power Drill and Drill Bits
- Wheelbarrow (to mix and transport concrete)
- Tape Measure
- Safety Glasses and Work Gloves
- No. 2 Phillips Head Screwdriver
- 4 Pieces of 6 ft long #4 rebar
- PVC Adhesive

The following instructions will guide you through the assembly and installation of your new privacy gate.

Installation Steps

Step 1. Layout Fence and Position posts

- *Remember* – Consider soil conditions, slopes, utility locations and property lines when positioning posts.
- Run a string line to locate the fence line, using the line to establish the outside faces of your posts (Fig 1).
- Stake out the fence posts, locating line, corner, end and gate posts. Mark the centers of the post locations for your fence and gate using dimensions from the Post Location Chart below.

Post Location Chart

The following chart summarizes the size and measurements for posts, fence style and gate width.

| Fence Style | Post Size | Gate Opening | Post On Center Distance* |
|-------------|-----------|--------------|--------------------------|
| Privacy | 5 x 5 | 44" | 49" |

* On-Center means from center of one post to the center of the next post.

Step 2. Set Fence and Gate Posts

- *Remember* – Call before you dig. Contact your local utility providers to locate underground utilities in the area.
- Dig or auger post holes based on the dimensions in chart below. Ensure that the bottom of the post is set at exactly 32" below grade for the Privacy Gate plus a 6" gravel base in each hole (Fig. 3).
- Mix concrete according to manufacturer's specifications. Place and hold the post while pouring concrete 6" at a time and tamping to eliminate air pockets. Leave enough space at the top of the concrete to allow sod to grow around post. Set the correct post height, plumb and level each post.
- Before concrete sets, site down the fence line and adjust posts, if necessary. If posts are too high, place a wooden block across the top of the post and tap down with a rubber mallet. Allow post concrete to set 24 – 48 hours before hanging gate in place.

| Fence Style | Post Size | Post Depth (A) | Post Hole Depth* (B) | Post Hole Diameter (C) |
|-------------|-----------|----------------|----------------------|------------------------|
| Privacy | 5 x 5 | 32" | 38" | 12" |

*Remember – In frost regions, determine how deep you need to dig the post holes to ensure concrete extends below the frost line.

Fig. 1 Sample staking and post lay-out

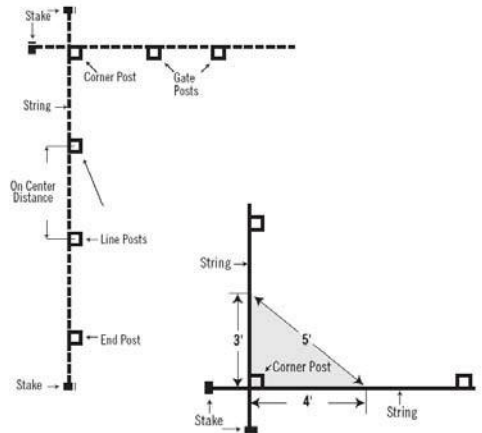


Fig. 2 3-4-5 Triangle Method

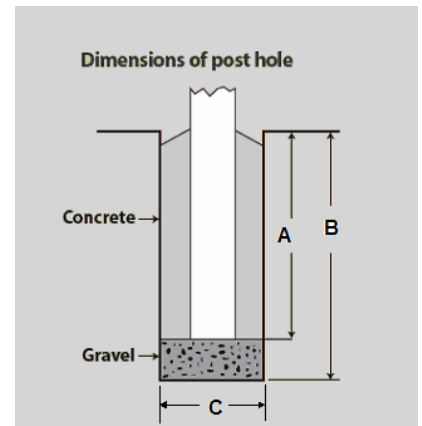


Fig. 3 Make-up of a post hole

