



Item #1003-097-323
Model H4455

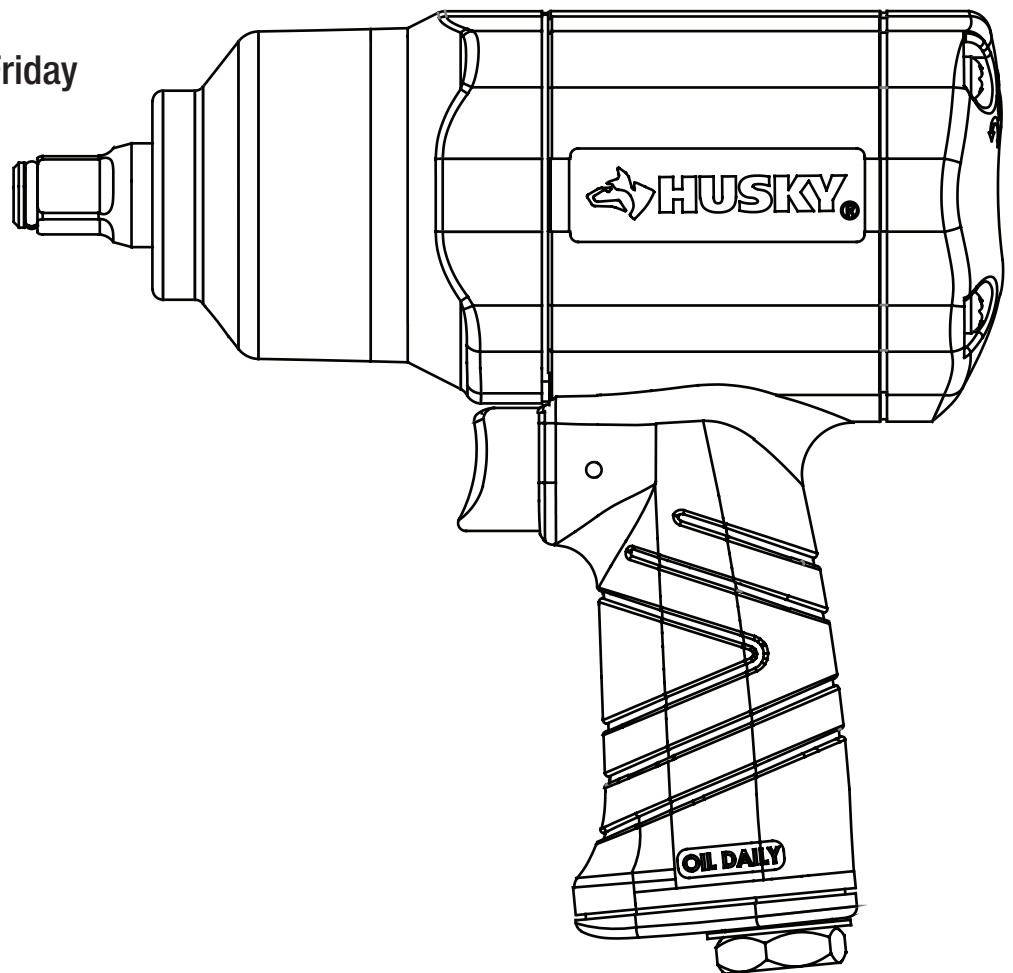
USE AND CARE GUIDE

1/2 in. IMPACT WRENCH

Questions, problems, missing parts?
Before returning to the store, call
Husky Customer Service
8 a.m. - 6 p.m., EST, Monday-Friday

1-888-43-HUSKY

HUSKYTOOLS.COM



THANK YOU

We appreciate the trust and confidence you have placed in Husky through the purchase of this impact wrench. We strive to continually create quality products designed to enhance your home. Visit us online to see our full line of products available for your home improvement needs. Thank you for choosing Husky!

Table of Contents

Table of Contents	2	Installation	5
Safety Information	2	Operation.....	6-7
Work Area Safety	2	Maintenance	8
Personal Safety	2	Lubrication.....	8
Air Compressor and Air Tool Safety	3	Troubleshooting	9
Warranty	3	Service Parts.....	10
Husky Air Tools Limited Three Year Warranty	3		
Additional Limitations	3		
Pre-Installation	4		
Specifications	4		
Package Contents	4		

Safety Information

WORK AREA SAFETY

1. Keep your work area clean and well lit. Ensure floors are not slippery from wax or dust.
2. Do not operate power tools in explosive atmospheres, such as in the presence of flammable liquids, gases, or dust. Power tools create sparks which may ignite the dust or fumes. Keep bystanders, children, and visitors away while operating tools. Distractions can cause you to lose control.
3. Always disconnect the air supply and power supply before making adjustments, servicing a tool, changing an accessory or when a tool is not in use.
4. For further information on the safe use of air tools, we advise you to obtain a copy of CAGI B186.1-2009 from
Husky Air Tools
851 Jupiter Park Lane
Jupiter, Florida 33458
(877) 260-1630.

PERSONAL SAFETY

1. Use safety equipment. Always wear eye protection with side shields when operating power tools. Dust mask, nonskid safety shoes, hard hat, or hearing protection must be used for appropriate conditions.
2. Stay alert when operating a power tool. Do not use the tool while tired or under the influence of drugs, alcohol, or medication.
3. Do not wear loose clothing or jewelry. Contain long hair. Keep your hair, clothing, and gloves away from moving parts. Loose clothes, jewelry, or long hair can be caught in moving parts.
4. Keep proper footing and balance at all times. Proper footing and balance enables better control of the tool in unexpected situations.
5. Do not use on a ladder or unstable support.



WARNING: Risk of injury to persons. Read and understand operation instructions. Always become familiar with all the instructions and warnings before operating any pneumatic tool.



WARNING: This product can expose you to chemicals including lead, which are known to the State of California to cause cancer and birth defects or other reproductive harm. For more information go to www.P65Warnings.ca.gov



WARNING: Some dust created by power sanding, sawing, grinding, drilling and other construction activities contains chemicals known to cause cancer, birth defects or other reproductive harm. Some examples of these chemicals are:

Lead from lead based paint, crystalline silica from bricks and cement and other masonry products, arsenic and chromium from chemically-treated lumber.

Your risk from those exposures varies, depending on how often you do this type of work. To reduce your exposure to these chemicals: work in a well-ventilated area, and work with approved safety equipment, such as dust masks that are specifically designed to filter out microscopic particles.

Safety Information (continued)

AIR COMPRESSOR AND AIR TOOL SAFETY

1. Risk of Bursting. Do not adjust the regulator to result in output pressure greater than the marked maximum pressure of this air tool.
2. Ensure the hose is free of obstructions or snags. Entangled or snarled hoses can cause loss of balance or footing and may become damaged.
3. Never leave a tool unattended with the air hose attached.
4. Do not operate this tool if it does not contain a legible warning label.
5. Do not continue to use a tool or hose that leaks air or does not function properly.
6. Never direct a jet of compressed air toward people or animals.
7. Protect your lungs. Wear a face or dust mask if the operation is dusty.



WARNING: Hearing Protection is Recommended
Hearing protection should be used when the noise level exposure equals or exceeds an 8 hour time-weighted average sound level of 85dBA.



WARNING: Do not use at a pressure greater than the rated maximum pressure of this air tool.



WARNING: Do not attempt to modify this tool or create accessories not recommended for use with this tool. Any such alteration or modification is misuse and could result in a hazardous condition leading to possible serious personal injury.



WARNING: Operating any power tool can result in foreign objects being thrown into your eyes, which can result in severe eye damage. Before beginning operation, always wear safety goggles, safety glasses with side shields, or a full face shield when needed. Always use eye protection marked to comply with ANSI Z87.1.



WARNING: Avoid Prolonged Exposure to Vibration
Pneumatic tools can vibrate during use. Prolonged exposure to vibration or very repetitive hand and arm movements, can cause injury. Stop using any tool if discomfort, tingling feeling or pain occurs. You should consult your physician before resuming use of the tool.

Warranty

HUSKY AIR TOOLS LIMITED THREE YEAR WARRANTY

If within three years from the date of purchase, this Husky air tool product fails due to a defect in materials or workmanship, please immediately contact the Customer Service Team at 1-888-43-HUSKY 8 a.m. - 6 p.m., EST, Monday-Friday, except normal holidays. Do not return the air tool to the store. Please be prepared to send the product, postage prepaid, to the address provided by the Customer Service Team. The package must also include a copy of the dated first owner purchase receipt with the air tool model included and circled. The serial number and month/year of manufacture of the air tool must also be included to determine warranty. A defective product will be promptly replaced with a new one of equal or greater value. This warranty excludes incidental/consequential damages and failures due to misuse, abuse or normal wear and tear. This warranty gives you specific rights, and you may also have other rights, which vary, from state to state.

Please contact the Customer Service Team at 1-888-43-HUSKY or visit www.HUSKYTOOLS.com.

ADDITIONAL LIMITATIONS

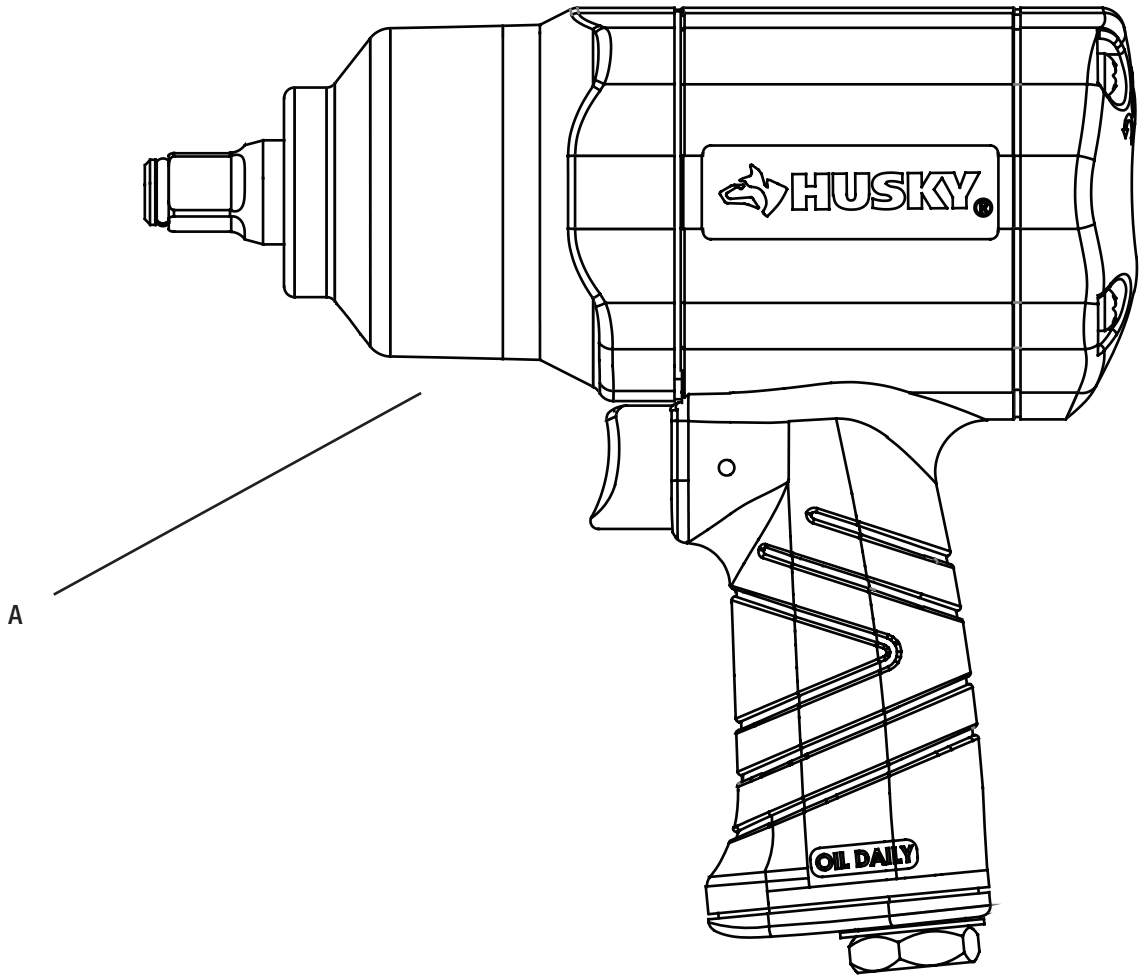
To the extent permitted by applicable law, all implied warranties, including warranties of merchantability or fitness for a particular purpose, are disclaimed. Any implied warranties, including warranties of merchantability or fitness for a particular purpose, that cannot be disclaimed under state law are limited to two years from the date of purchase. Husky is not responsible for direct, indirect, incidental, special or consequential damages. If this air compressor is used for commercial purposes, the warranty will apply for ninety (90) days from the date of purchase. Some states do not allow limitations on how long an implied warranty lasts and/or do not allow the exclusion or limitation of incidental or consequential damages, so the above limitations may not apply to you. This warranty gives you specific legal rights, and you may also have other rights, which vary from state to state.

Pre-Operation

SPECIFICATIONS

Free Speed (RPM)	Square Drive (in.)	Impacts Per Minute	Max. Torque (ft-lb) @ 90 PSI	Weight (lbs)	Length (in)	Air Cons. (SCFM)	Maximum Operating Pressure (PSI)
7,500	1/2	1,050	650	4.80	7.66	5.0	90

PACKAGE CONTENTS



Part	Description	Quantity
A	1/2-in. Impact Wrench	1

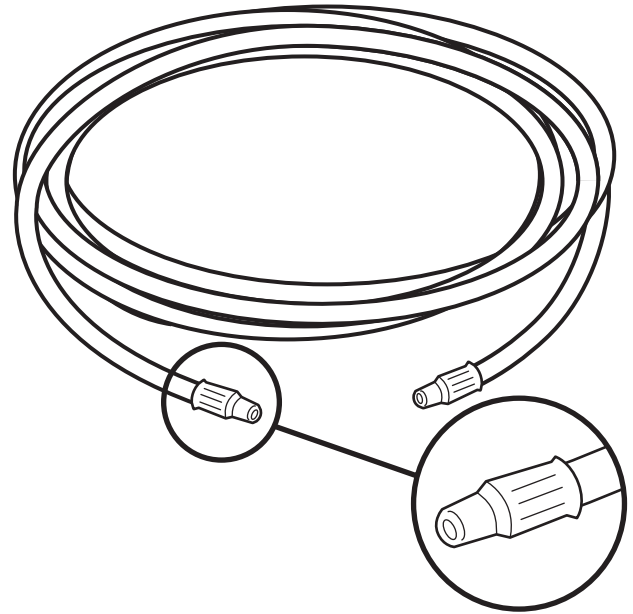
Installation

1 Cleaning the air hose

- A 3/8 in. air hose is required, with a maximum length of 25 ft.
- Clean the air hose of accumulated dust and moisture before connecting it to the air supply.



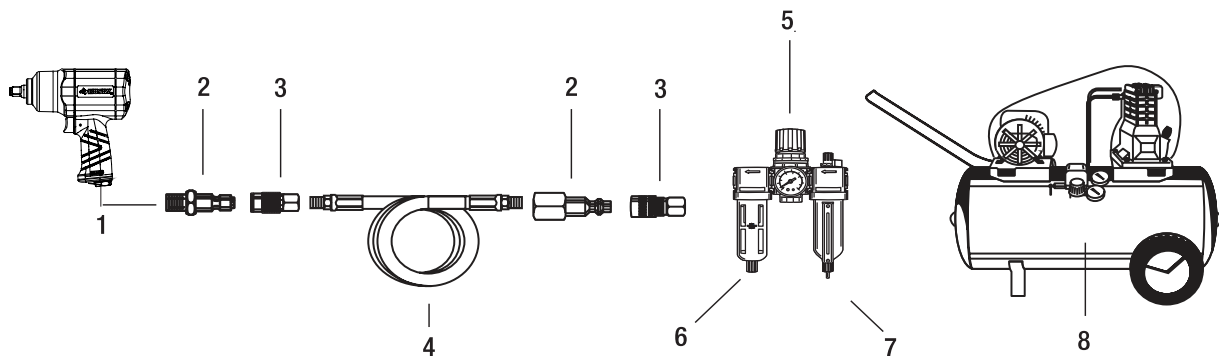
NOTE: If a longer air hose is required, connect a 1/2 in. air hose to the 3/8 in. air hose to ensure the impact wrench has the necessary air supply.



2 Connecting to the air supply

- Always use clean dry air. Excessive moisture and dirt will greatly reduce the life of any air motor. We recommend the installation of an in-line filter-regulator-lubricator as close to the tool as possible.
- Ensure all hoses and fittings are the correct size and secured tightly.

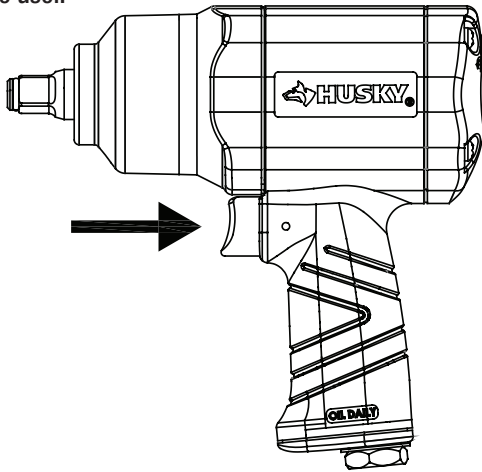
Recommended Air Line Set-Up	
Part	Description
1	1/2 in. Impact Wrench
2	Quick Plug
3	Quick Coupler
4	Air Hose
5	In-line Regulator
6	In-line Lubricator
7	In-line Filter
8	Air Compressor



Operation

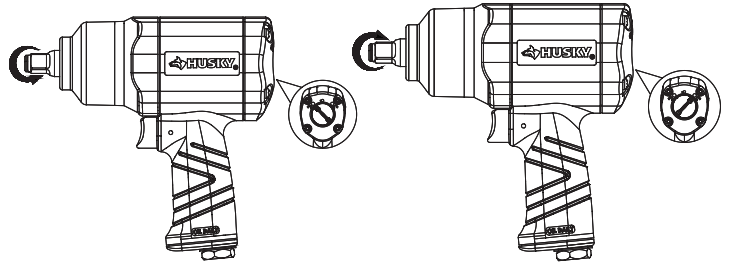
1 Operating the impact wrench

- This 1/2 in. Impact Wrench is designed to operate on 90 PSIG. Lower pressure (below 90 PSIG) will reduce performance of the tool. Higher air pressure (over 90 PSIG) raises the performance of the tool beyond its rated capacity and could cause serious damage to the tool and the user.



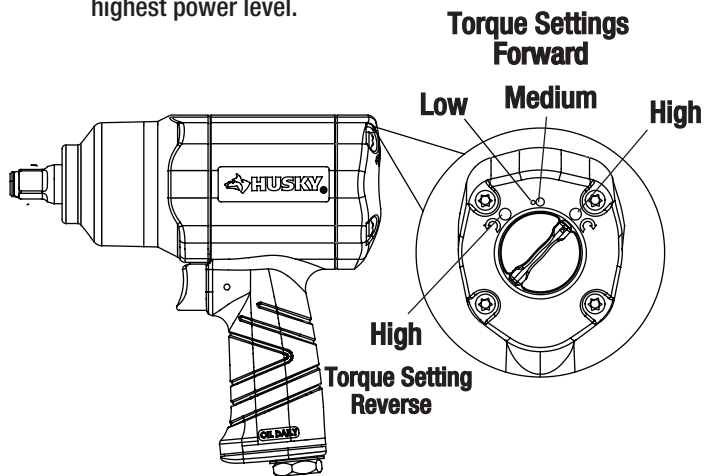
2 Changing the output torque direction

- This tool features the reverse switch to change the output torque direction to tighten (assemble) or loosen (disassemble) the bolt or fastener.
- Control the output torque direction by turning the reverse switch button to the Forward arrow or Reverse arrow position to change the direction.



3 Changing the output torque level

- This tool features the air regulator to manage the output power located on the back of the housing.
- Turn the knob to adjust to your desired torque level.
- The left setting is the lowest power level, the center setting is a medium power level, and the right setting is the highest power level.



4 Installing and removing the impact sockets



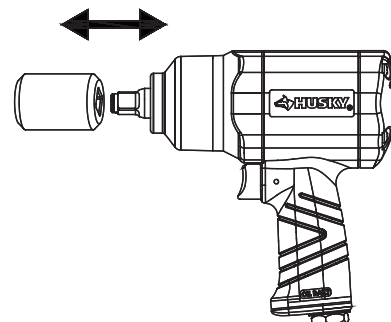
WARNING: Disconnect the tool from the air supply before servicing or changing accessories. Always use sockets rated for impact wrenches.

To install the impact socket:

- Disconnect the tool from the air source.
- Select the suitable and desirable socket size.
- Press fit the anvil into the socket.

To remove the impact socket:

- Disconnect the tool from the air source.
- Use your hand or a suitable tool to remove the socket.



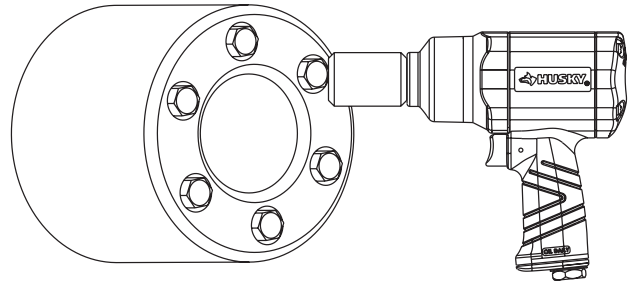
Operation (continued)

5 Tightening or loosening the bolt or fastener



WARNING: Once a bolt or fastener is seated, impacting for longer than five (5) seconds will cause excessive wear and possible damage to the impact mechanism. If it takes longer to tighten or loosen your bolt or fastener, we recommend the use of a larger sized impact wrench.

- Fit the impact socket.
- Hold the impact wrench with one hand.
- Ensure that the operator is aware of the torque direction to tighten (Forward) or loosen (Reverse) and has selected the suitable torque level.
- Use the tool to tighten or loosen the bolt or fastener.

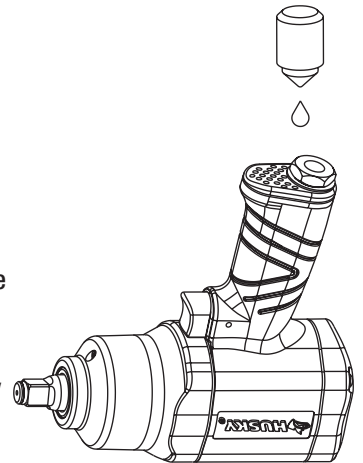


Maintenance

Ensure the air line is shut-off and drained of air before removing this tool for service or changing sockets. This will prevent the tool from operating if the throttle is accidentally engaged.

LUBRICATION

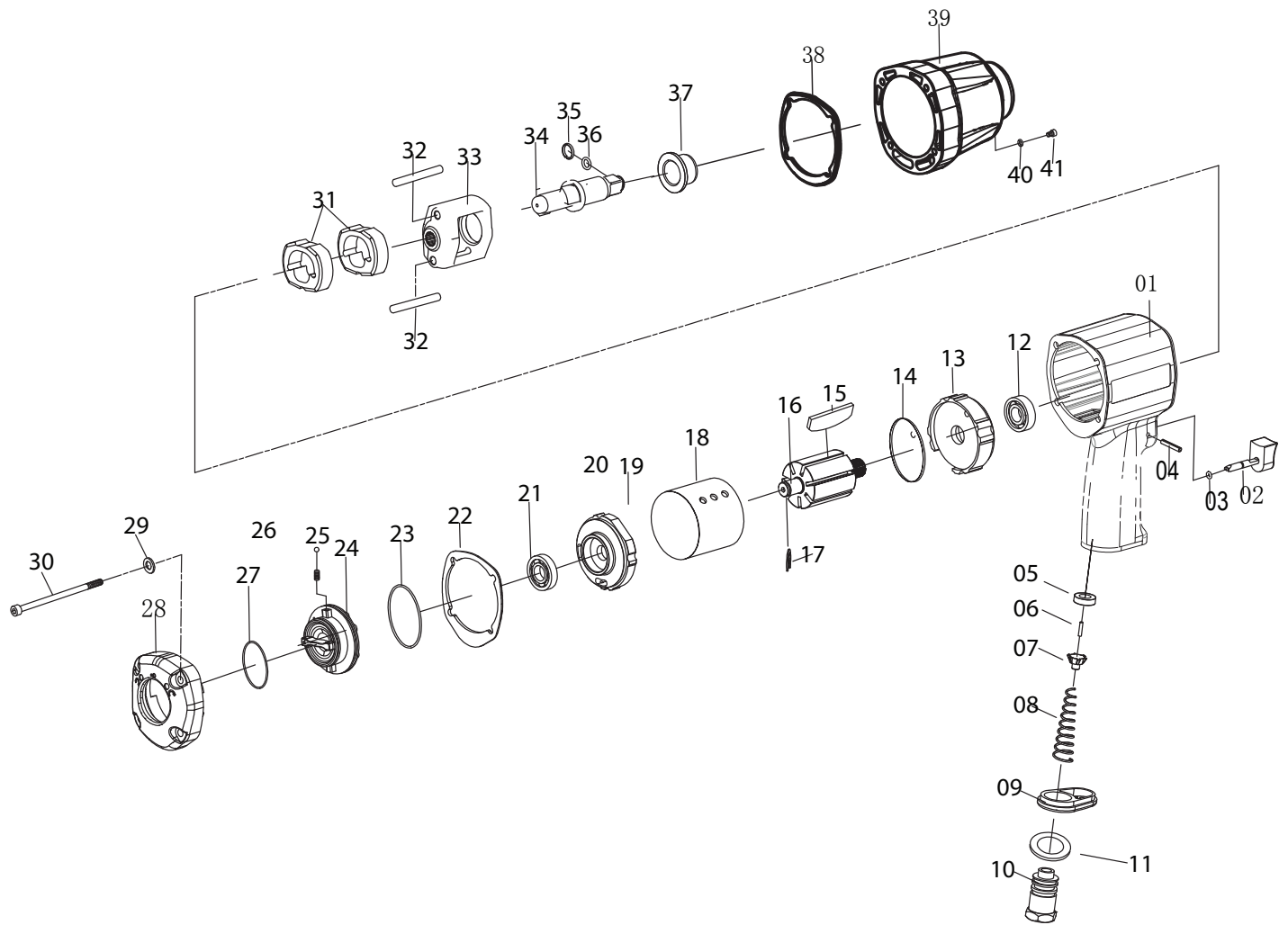
- An in-line filter-regulator-lubricator is recommended as it increases tool life and keeps the tool in sustained operation.
- Regularly check and fill the in-line lubricator with air tool oil. Avoid using excessive amounts of oil.
- Adjust the in-line lubricator by placing a sheet of paper next to the tool's exhaust ports and holding the throttle open approximately 30 seconds. The lubricator is properly set when a light stain of oil collects on the paper.
- If it is necessary to store the tool for an extended period of time (overnight, weekend, etc.), generously lubricate the tool through the air inlet. Run the tool for approximately 30 seconds to ensure the oil is evenly distributed throughout the tool. Store the tool in a clean and dry environment.
- Recommended lubricants: Air tool oil or any other high grade turbine oil containing moisture absorbent, rust inhibitors, metal wetting agents, and an EP (extreme pressure) additive.



Troubleshooting

Problem	Possible Cause	Solution
The tool runs slowly or will not operate.	There is grit or gum in the tool.	Flush the tool with air tool oil or gum solvent.
	The tool is out of oil.	Lubricate the tool according to the lubrication instructions in this manual.
	The air pressure is low.	<ul style="list-style-type: none"> <input type="checkbox"/> Adjust the regulator on the tool to the maximum setting. <input type="checkbox"/> Adjust the compressor regulator to the tool's maximum setting of 90 psi.
	The air hose leaks.	Tighten and seal the hose fittings with pipe thread tape if leaks are found.
	The air pressure drops.	<ul style="list-style-type: none"> <input type="checkbox"/> Ensure the hose is the proper size. Long hoses or tools using large volumes of air may require a hose with an I.D. of 1/2 in. or larger depending on the total length of the hose. <input type="checkbox"/> Do not use a multiple number of hoses connected together with a quick connect fitting. This causes additional pressure drops and reduces the tool power. Directly connect the hoses together.
	There is a worn rotor blade in the motor.	Replace the rotor blade.
	There is a worn ball bearing in the motor.	Remove and inspect the bearing for rust, dirt, and grit. Replace or clean and grease the bearing with bearing grease.
There is moisture blowing out of the tool's exhaust.	There is water in the tank.	Drain the tank. (See the air compressor manual for instructions.) Lubricate the tool and run it until water is not evident. Lubricate the tool again and run for 1-2 seconds.
The tool impacts slowly or not at all.	The tool needs lubricating.	Lubricate the air motor and the impact mechanism according to the lubrication instructions in this manual.
	The tool regulator setting is in the wrong position.	Adjust the regulator on the tool to the maximum setting.
The tool impacts rapidly, but will not remove bolts.	The tool has a worn impact mechanism.	Replace the worn impact mechanism components.
The tool does not impact.	The impact mechanism is broken.	Replace the broken impact mechanism components.

Service Parts



Service Parts (continued)

Reference Number	Part Number	Description	Qty.
1	9445501	Housing Assembly	1
2	9445502	Trigger Assembly	1
3	9445503	O-Ring	1
4	9445504	Trigger Pin	1
5	9445505	Oil Seal	1
6	9445506	Valve Stem	1
7	9445507	Throttle Valve	1
8	9445508	Valve Spring	1
9	9445509	Exhaust Deflector	1
10	9445510	Air Inlet NPT	1
11	9445511	Washer	1
12	9445512	Ball Bearing	1
13	9445513	Front End Plate	1
14	9445514	Steel Washer	1
15	9445515	Rotor Blade	7
16	9445516	Rotor	1
17	9445517	E Clip	1
18	9445518	Cylinder	1
19	9445519	Dowel Pin	1
20	9445520	Rear End Plate	1
21	9445521	Ball Bearing	1
22	9445522	Gasket	1

Reference Number	Part Number	Description	Qty.
23	9445523	O-Ring	1
24	9445524	Switch Assembly	1
25	9445525	Steel Ball	1
26	9445526	Spring	1
27	9445527	O-Ring	1
28	9445528	End Cap	1
29	9445529	Spring Washer	4
30	9445530	Screw	4
31	9445532	Hammer Dog	2
32	9445533	Hammer Pin	2
33	9445534	Hammer Cage	1
34	9445535	Anvil	1
35	9445536	Socket Retainer	1
36	9445537	O-Ring	1
37	9445538	Anvil Bushing	1
38	9445539	Gasket	1
39	9445541	Hammer Cage	1
40	9445542	O-Ring	1
41	9445543	Grease Port Screw	1



Questions, problems, missing parts? Before returning to the store,
call Husky Customer Service
8 a.m.-6 p.m., EST, Monday-Friday

1-888-43-HUSKY

HUSKYTOOLS.COM

Retain this manual for future use.

Núm. de artículo 1003-097-323

Núm. de modelo H4455



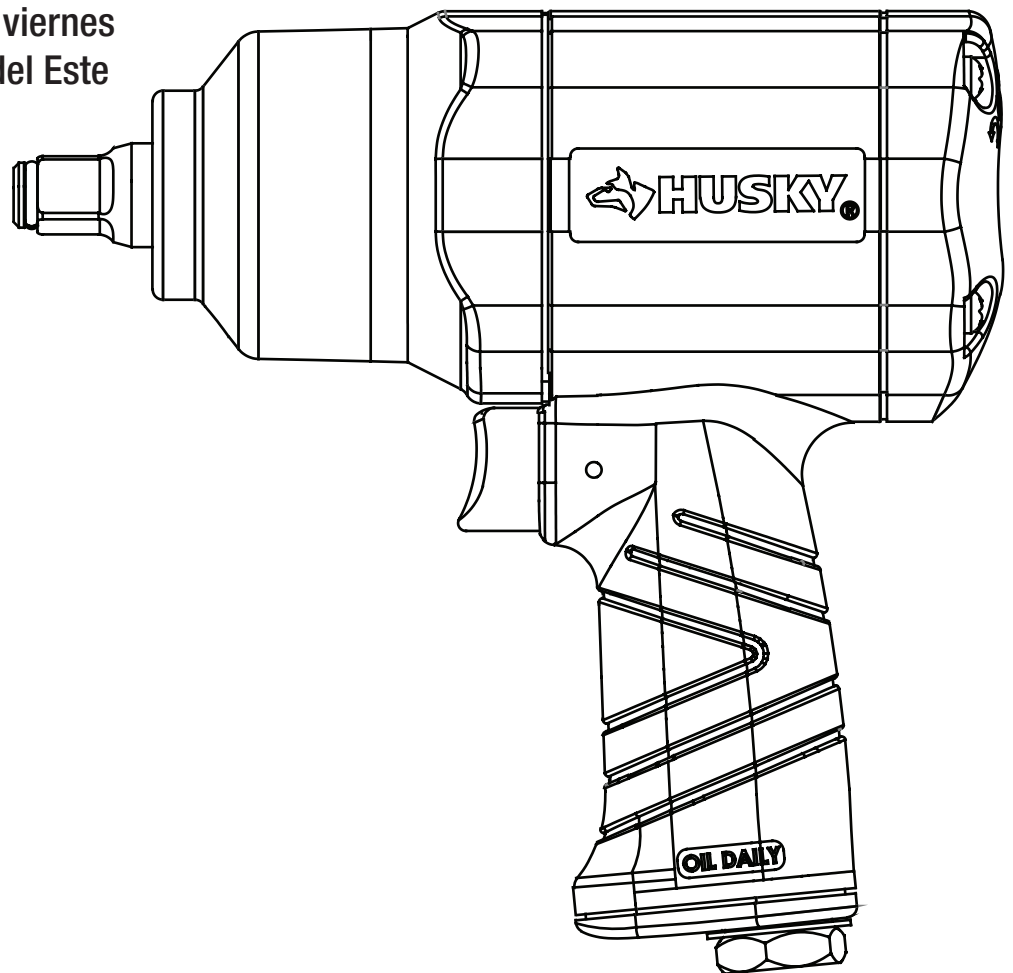
GUÍA DE USO Y CUIDADO

LLAVE DE IMPACTO DE 1/2 pulg.

¿Tiene preguntas, problemas o faltan piezas?
Antes de regresar a la tienda, llame a Servicio
al Cliente de Husky de lunes a viernes
de 8 a.m. a 6 p.m., hora local del Este

1-888-43-HUSKY

HUSKYTOOLS.COM



GRACIAS

Apreciamos la confianza que ha depositado en Husky por la compra de esta llave de impacto. Nos esforzamos por crear continuamente productos de calidad diseñados para mejorar su hogar. Visítenos en internet para ver nuestra línea completa de productos disponibles para sus necesidades de mejorar su hogar. ¡Gracias por preferir a Husky!

Tabla de contenido

Tabla de contenido	2
Información de seguridad	2
Seguridad del área de trabajo	2
Seguridad personal	2
Compresor de aire y seguridad de la herramienta neumática	3
Garantía	3
Garantía limitada de tres años de herramientas neumáticas Husky ..	3
Limitaciones adicionales	3
Pre-instalación	4
Especificaciones	4
Contenido del paquete	4

Instalación	5
Operación	6
Mantenimiento	7
Lubricación	7
Resolución de fallas	7
Piezas de repuesto	8

Información de seguridad

SEGURIDAD DEL ÁREA DE TRABAJO

1. Mantenga su área de trabajo limpia y bien iluminada. Asegúrese de que los pisos no estén resbaladizos por cera o polvo.
2. No opere herramientas eléctricas en atmósferas explosivas, como en presencia de líquidos, gases o polvo inflamables. Las herramientas eléctricas generan chispas que pueden encender el polvo o los humos. Mantenga lejos a los transeúntes, niños y visitantes mientras opera las herramientas. Las distracciones pueden hacer que pierda el control.
3. Desconecte siempre el suministro de aire y la fuente de energía antes de hacer ajustes, darle servicio a la herramienta, cambiar un accesorio o cuando una herramienta no está en uso.
4. Para información adicional sobre el uso seguro de herramientas neumáticas, le aconsejamos obtener una copia de CAGI B186.1-2009 de Husky Air Tools
851 Jupiter Park Lane
Jupiter, Florida 33458
(877) 260-1630.

SEGURIDAD PERSONAL

1. Use equipo de seguridad. Use siempre protección para los ojos con pantallas protectoras cuando opere herramientas neumáticas. Deben usarse para condiciones apropiadas máscara antipolvo, zapatos de seguridad antideslizantes, casco o protección auditiva.
2. Manténgase alerta cuando opere una herramienta neumática. No use la herramienta cuando esté cansado o bajo la influencia de drogas, alcohol o medicamentos.
3. No use ropa floja ni joyas. Contenga el pelo largo. Mantenga su pelo, ropa y guantes lejos de las partes móviles. La ropa floja, las joyas o el pelo largo pueden ser atrapados por las partes móviles.
4. Conserve la posición apropiada y el equilibrio en todo momento. La posición apropiada y el equilibrio permiten un mejor control de la herramienta en situaciones inesperadas.
5. No use la herramienta en una escalera o en un soporte inestable.



ADVERTENCIA: Riesgo de lesiones a las personas. Lea y comprenda las instrucciones de operación. Familiarícese siempre con todas las instrucciones y advertencias antes de operar cualquier herramienta neumática.



ADVERTENCIA: Este producto puede exponerlo a sustancias químicas, incluyendo plomo, los cuales son conocidos por el Estado de California como causantes de cáncer y defectos de nacimiento u otros daños reproductivos. Para obtener más información vaya a www.P65Warnings.ca.gov



ADVERTENCIA: Ciertos polvos generados al lijar, aserrar, esmerilar, taladrar y por otras actividades de construcción contienen sustancias químicas que se sabe producen cáncer, defectos de nacimiento u otros daños reproductivos. Algunos ejemplos de estas sustancias químicas son:

Plomo de pinturas en base a plomo, sílice cristalino de ladrillos y cemento y otros productos de albañilería, arsénico y cromo de madera tratada químicamente.

El riesgo que corre de estas exposiciones varía, dependiendo de la frecuencia con la que hace este tipo de trabajo. Para reducir la exposición a estas sustancias químicas: trabaje en un área bien ventilada, y hágalo con equipo de seguridad apropiado, como máscaras antipolvo que están diseñadas específicamente para filtrar las partículas microscópicas.

Información de seguridad (continuación)

COMPRESOR DE AIRE Y SEGURIDAD DE LA HERRAMIENTA NEUMÁTICA

1. Riesgo de explosión. No ajuste el regulador de modo que la presión de salida sea mayor que la presión máxima marcada de esta herramienta neumática.
2. Asegúrese de que la manguera esté libre de obstrucciones u obstáculos. Las mangueras enredadas o enmarañadas pueden causar pérdida del equilibrio o posición y puede resultar con daños personales.
3. Nunca deje una herramienta desatendida con la manguera de aire enganchada.
4. No opere esta herramienta si no contiene una etiqueta de advertencia legible.
5. No continúe usando una herramienta o manguera que tenga fuga de aire o que no funcione apropiadamente.
6. Nunca dirija un chorro de aire comprimido hacia personas o animales.
7. Proteja sus pulmones. Wear a face or dust mask if the operation is dusty.



ADVERTENCIA: Se recomienda protección auditiva. La protección auditiva debe ser usada cuando la exposición al nivel de ruido es igual o superior a un nivel de sonido promedio ajustado por el tiempo de 8 horas de 85 dBA.



ADVERTENCIA: No la use a una presión mayor que la presión máxima nominal de esta herramienta neumática.



ADVERTENCIA: No intente modificar esta herramienta o crear accesorios no recomendados para ser usados con la misma. Cualquier tal alteración o modificación constituye mal uso y podría resultar en una condición peligrosa que conduzca a posibles lesiones personales serias.



ADVERTENCIA: La operación de cualquier herramienta eléctrica puede resultar en que objetos extraños sean lanzados a sus ojos, lo que puede resultar en daños graves al ojo. Antes de comenzar la operación, use siempre gafas de protección, lentes de seguridad con protección lateral, o una máscara facial protectora completa. Use siempre protección para los ojos marcada para cumplir con ANSI Z87.1.



ADVERTENCIA: Evite la exposición prolongada a herramientas neumáticas de vibración que pueden vibrar durante su uso. La exposición prolongada a la vibración o movimientos de manos y brazos muy repetitivos pueden causar lesiones. Pare de usar cualquier herramienta si ocurre incomodidad, sensación de hormigueo o dolor. Debe consultar a su médico antes de reanudar el uso de la herramienta.

Garantía

GARANTÍA LIMITADA DE TRES AÑOS DE HERRAMIENTAS NEUMÁTICAS HUSKY

Si en el plazo de tres años a partir de la compra, esta herramienta neumática Husky falla debido a un defecto en materiales o mano de obra, llame de inmediato al Equipo de Servicio al Cliente al 1-888-43-HUSKY de 8 a.m. a 6 p.m., EST, de lunes a viernes, excepto los feriados normales. No devuelva la herramienta neumática a la tienda. Por favor, prepárese para enviar el producto, con franqueo prepagado, a la dirección proporcionada por el Equipo de Servicio al Cliente. El paquete debe incluir también una copia fechada del recibo de compra del primer comprador con el modelo de la herramienta neumática incluido y encerrado en un círculo. El número de serie y el mes/año de fabricación de la herramienta neumática también deben estar incluidos para determinar la garantía. Un producto defectuoso será reemplazado con prontitud por uno nuevo de igual o mayor valor. Esta garantía excluye daños y fallos incidentales/consecuenciales debido al mal uso, abuso o desgaste normal por el uso. Esta garantía le otorga derechos específicos y también puede tener otros derechos que varían de un estado a otro.

Póngase en contacto con el Equipo de Servicio al Cliente llamando al 1-888-43-HUSKY o visite www.HUSKYTOOLS.com.

LIMITACIONES ADICIONALES

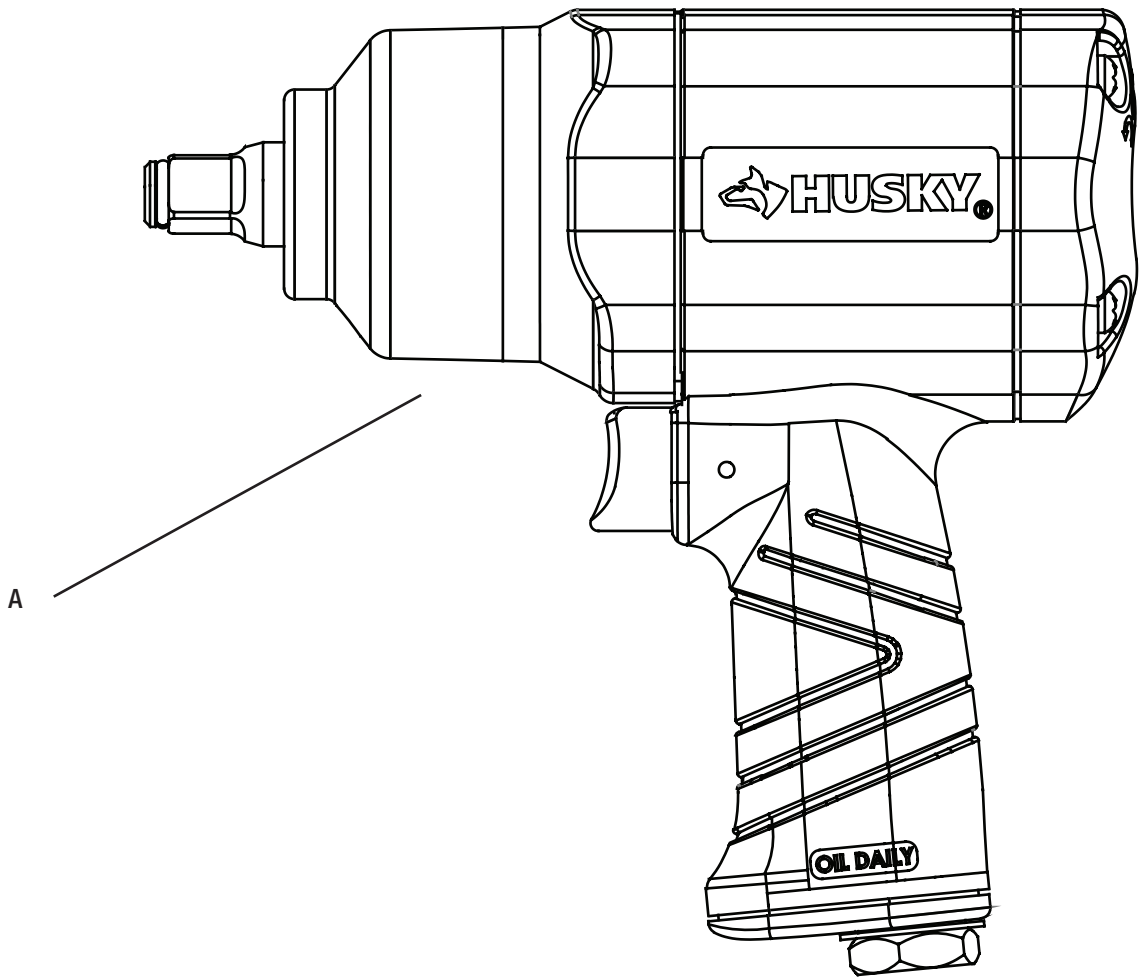
En la medida permitida por la ley aplicable, todas las garantías implícitas, incluyendo garantías de comercialización o idoneidad para un propósito particular, son denegadas. Cualquier garantía implícita, incluyendo garantías de comercialización o idoneidad para un propósito particular, que no pueden ser denegadas conforme a la ley estatal están limitadas a los dos años a partir de la fecha de compra. Husky no se hace responsable de daños directos, indirectos, incidentales, especiales o consecuenciales. Si este compresor de aire es usado para fines comerciales, la garantía aplicará por noventa (90) días a partir de la fecha de compra. Algunos estados no permiten limitaciones sobre cuánto debe durar una garantía implícita y/o no permiten la exclusión o limitación de daños incidentales o consecuenciales, de modo que las limitaciones anteriores podrían no aplicar a usted. Esta garantía le otorga derechos legales específicos y también puede tener otros derechos que varían de un estado a otro.

Pre-Operación

ESPECIFICACIONES

Velocidad libre (RPM)	Llave cuadrada (pulg.)	Impactos por minuto	Par de torsión máximo (pie-lb) a 90 PSI	Peso (lbs)	Longitud (pulg.)	Consumo de aire (SCFM)	Presión máxima de operación (PSI)
7,500	1/2	1,050	650	4.80	7.66	5.0	90

CONTENIDO DEL PAQUETE



Pieza	Descripción	Cantidad
A	Llave de impacto de 1/2 pulg.	1

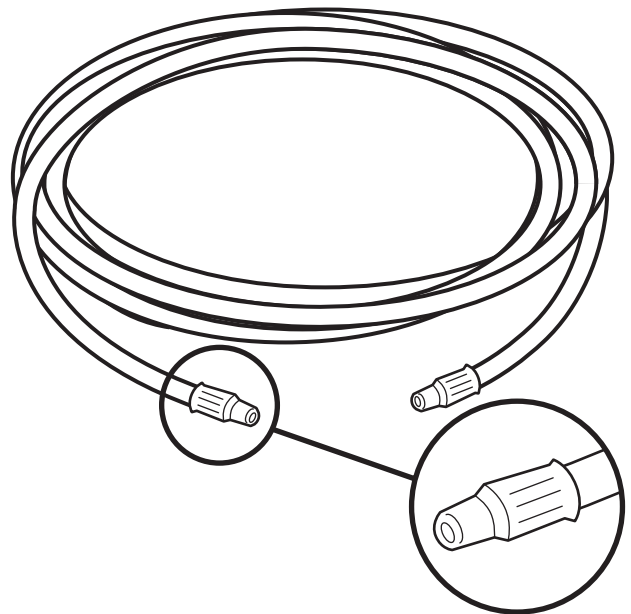
Instalación

1 Limpieza de la manguera de aire

- Se requiere una manguera de aire de 3/8 pulg. con una longitud máxima de 25 pies.
- Limpie el polvo acumulado y la humedad de la manguera de aire antes de conectarla al suministro de aire.



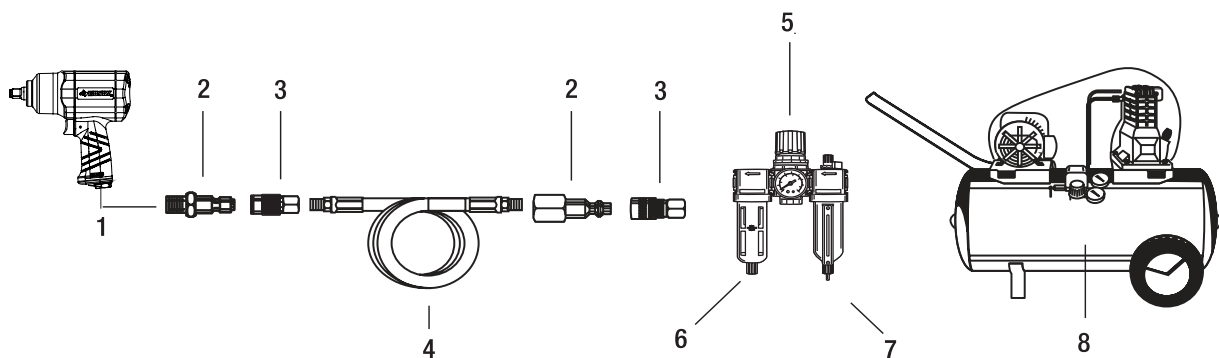
NOTA: Si se requiere una manguera más larga, conecte una manguera de aire de 1/2 pulg. a la manguera de aire de 3/8 pulg. para asegurarse de que la llave de impacto tenga el suministro de aire necesario.



2 Cómo conectar al suministro de aire

- Use siempre aire seco y limpio. La humedad excesiva y el polvo reducirán grandemente la vida de cualquier motor de aire. Recomendamos la instalación de un filtro-regulador-lubricador en línea tan cerca a la herramienta como sea posible.
- Asegúrese de que las mangueras y accesorios sean del tamaño correcto y asegúrelos con firmeza.

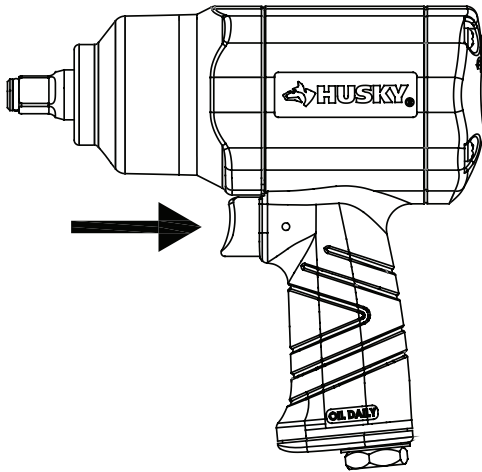
Configuración recomendada de la línea de aire	
Pieza	Descripción
1	Llave de impacto de 1/2 pulg.
2	Enchufe rápido
3	Acoplador rápido
4	Manguera de aire
5	Regulador en línea
6	Lubricador en línea
7	Filtro en línea
8	Compresor de aire



Operación

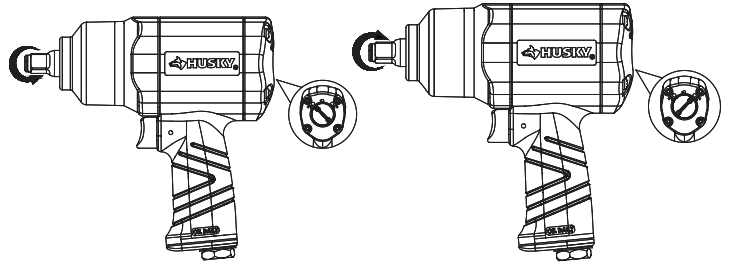
1 Cómo operar la llave de impacto

- Esta llave de impacto de 1/8 pulg está diseñada para funcionar a 90 PSIG. La presión baja (abajo de 90 PSIG) reducirá el desempeño de la herramienta. La presión alta (arriba de 90 PSIG) eleva el desempeño de la herramienta más allá de su capacidad nominal y podría causar serios daños a la herramienta y al usuario.



2 Cómo cambiar la dirección del par de torsión de salida

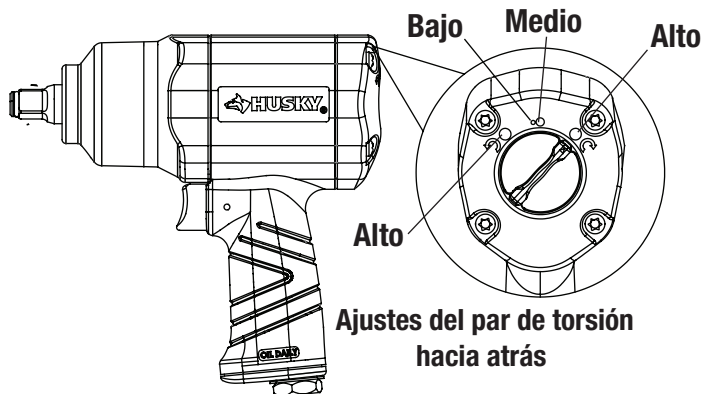
- Esta herramienta ofrece un interruptor de reversa para cambiar la dirección del par de torsión de salida por apretar (ensamblar) o aflojar (desmontar) el perno o el sujetador.
- Controle la dirección del par de torsión de salida girando el botón del interruptor de reversa a la posición de la flecha hacia adelante o flecha hacia atrás para cambiar la dirección.



3 Cómo cambiar el nivel del par de torsión de salida

- Esta herramienta ofrece el regulador de aire para manejar la potencia de salida localizada en la parte posterior de la carcasa.
- Gire la perilla para ajustar al nivel del par de torsión deseado.
- El ajuste izquierdo es el nivel de potencia más baja, el ajuste central es un nivel de potencia media y el ajuste derecho es el nivel de potencia más alta.

Ajustes del par de torsión hacia adelante



4 Instalación y extracción de los cubos de impacto



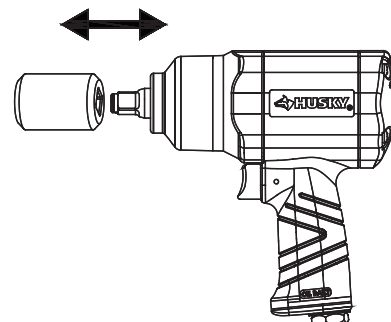
ADVERTENCIA: Desconecte la herramienta del suministro de aire antes de darle servicio o cambiar los accesorios. Use siempre cubos calibrados para llaves de impacto.

Para instalar el cubo de impacto:

- Desconecte la herramienta de la fuente de aire.
- Seleccione el tamaño de cubo apropiado y deseable.
- Ajuste a presión el yunque en el cubo.

Para retirar el cubo de impacto:

- Desconecte la herramienta de la fuente de aire.
- Use su mano o una herramienta adecuada para extraer el cubo.



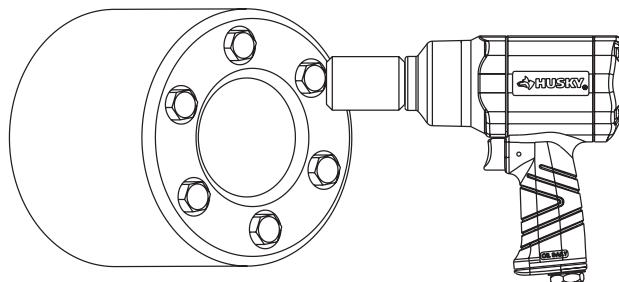
Operación (continuación)

5 Cómo apretar o aflojar el perno o sujetador



ADVERTENCIA: Una vez un perno o sujetador está asentado, impactar por más de cinco (5) segundos causará desgaste excesivo y posibles daños al mecanismo de impacto. Si toma más tiempo apretar o aflojar su perno o sujetador, le recomendamos usar una llave de impacto de mayor tamaño.

- Coloque el cubo de impacto.
- Sostenga la llave de impacto con una mano.
- Asegúrese de que el operador esté enterado de la dirección del par de torsión para apretar (hacia adelante) o aflojar (hacia atrás) y haya seleccionado el nivel de par de torsión adecuado.
- Use la herramienta para apretar o aflojar el perno o sujetador.

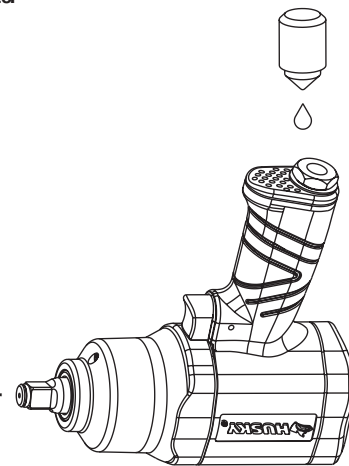


Mantenimiento

Asegúrese de que la línea de aire esté apagada y drenada de aire antes de retirar esta herramienta para servicio o para cambio de cubos. Esto evitará que la herramienta opere si el estrangulador se engancha accidentalmente.

LUBRICACIÓN

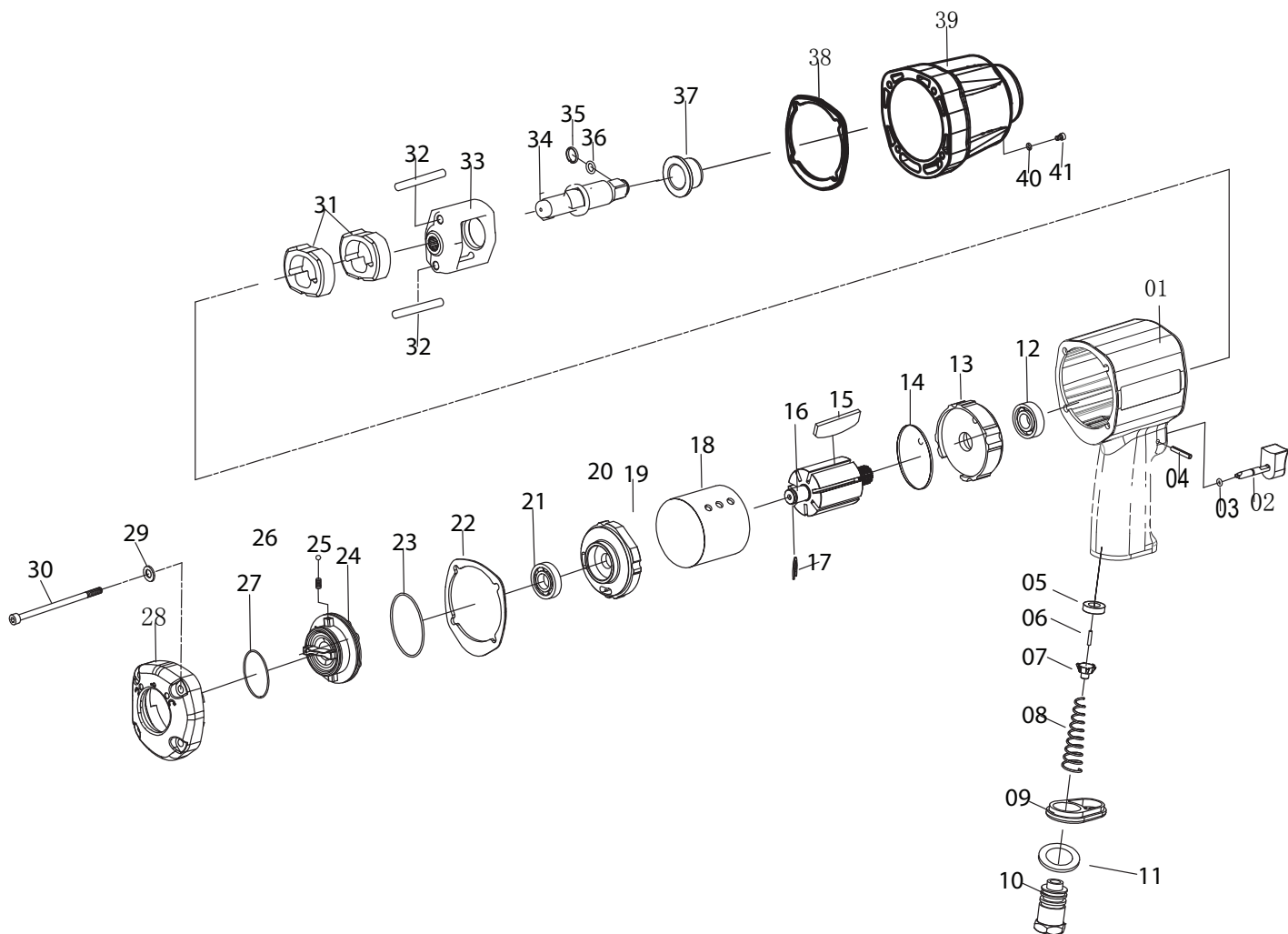
- Se recomienda un filtro-regulador-lubricador en línea ya que aumenta la vida de la herramienta y mantiene la herramienta en operación sostenida.
- Revise regularmente y llene el lubricador en línea con aceite de herramienta neumática. Evite usar cantidades excesivas de aceite.
- Ajuste el lubricador en línea colocando una hoja de papel a la par de los puertos de escape de la herramienta y manteniendo el estrangulador abierto aproximadamente durante 30 segundos. El lubricador está ajustado apropiadamente cuando una mancha clara de aceite cae sobre el papel.
- Si es necesario almacenar la herramienta durante un periodo de tiempo prolongado (durante la noche, fin de semana, etc.), lubrice generosamente la herramienta a través de la entrada de aire. Haga funcionar la herramienta durante aproximadamente 30 segundos para asegurarse de que el aceite esté distribuido uniformemente en toda la herramienta. Almacene la herramienta en un ambiente limpio y seco.
- Lubricantes recomendados: Aceite de herramienta neumática y cualquier otro aceite de turbina de alto grado que contenga absorbente de humedad, inhibidores de óxido, agentes humectantes de metal y un aditivo PE (presión extrema).



Resolución de fallas

Problema	Posible causa	Solución
La herramienta funciona lentamente o no funcionará.	Hay arena o goma de mascar en la herramienta.	Enjuague la herramienta con aceite de herramienta neumática o solvente de goma de mascar.
	La herramienta no tiene aceite.	Lubrique la herramienta de acuerdo a las instrucciones de lubricación en este manual.
	La presión del aire está baja.	<ul style="list-style-type: none"> <input type="checkbox"/> Ajuste el regulador en la herramienta a la posición máxima. <input type="checkbox"/> Ajuste el regulador del compresor a la posición máxima de la herramienta de 90 psi.
	La manguera de aire tiene fugas.	Apriete y selle los accesorios de la manguera con cinta de rosca de tubería si se encuentran fugas.
	La presión del aire disminuye.	<ul style="list-style-type: none"> <input type="checkbox"/> Asegúrese de que la manguera sea del tamaño apropiado. Las mangueras largas o herramientas que usan grandes volúmenes de aire pueden requerir una manguera con un diámetro interno de 1/2 pulg o mayor dependiendo de la longitud total de la manguera. <input type="checkbox"/> No use un múltiple número de mangueras conectadas entre sí con un accesorio de conexión rápida. Esto hace que las caídas de presión adicionales reduzcan la potencia de la herramienta. Conecte directamente las mangueras.
	Hay un aspa del rotor desgastada en el motor.	Reemplace el aspa del rotor.
	Hay un cojinete desgastado en el motor.	Retire e inspeccione el cojinete en busca de óxido, suciedad y polvo. Reemplace o limpie y engrase el cojinete con grasa de cojinete.
Hay humedad saliendo del escape de la herramienta.	Hay agua en el tanque.	Drene el tanque. (Consulte el manual del compresor de aire para instrucciones.) Lubrique la herramienta y hágala funcionar hasta que no sea evidente la presencia de agua. Lubrique de nuevo la herramienta y hágala funcionar durante 1 a 2 segundos.
La herramienta impacta lentamente o para nada.	La herramienta necesita lubricación.	Lubrique el motor de aire y el mecanismo de impacto de acuerdo a las instrucciones de lubricación en este manual.
	El ajuste del regulador de la herramienta está en la posición incorrecta.	Ajuste el regulador en la herramienta a la posición máxima.
La herramienta impacta rápidamente, pero no extrae los pernos.	La herramienta tiene un mecanismo de impacto desgastado.	Reemplace los componentes desgastados del mecanismo de impacto.
La herramienta no impacta.	El mecanismo de impacto está roto.	Reemplace los componentes rotos del mecanismo de impacto.

Piezas de servicio



Piezas de repuesto (continuación)

Número de referencia	Número de pieza	Descripción	Cantidad	Número de referencia	Número de pieza	Descripción	Cantidad
1	9445501	Ensamble de la carcasa	1	23	9445523	Anillo O	1
2	9445502	Ensamble del disparador	1	24	9445524	Ensamblaje del interruptor	1
3	9445503	Anillo O	1	25	9445525	Bola de acero	1
4	9445504	Pasador del gatillo	1	26	9445526	Resorte	1
5	9445505	Sello de aceite	1	27	9445527	Anillo O	1
6	9445506	Vástago de la válvula	1	28	9445528	Tapa del extremo	1
7	9445507	Válvula de estrangulación	1	29	9445529	Arandela de resorte	4
8	9445508	Resorte de válvula	1	30	9445530	Tornillo	4
9	9445509	Deflector de escape	1	31	9445532	Perro de martillo	2
10	9445510	NPT de entrada de aire	1	32	9445533	Pasador del martillo	2
11	9445511	Arandela	1	33	9445534	Jaula del martillo	1
12	9445512	Cojinete de bola	1	34	9445535	Yunque	1
13	9445513	Placa de extremo frontal	1	35	9445536	Retenedor del cubo	1
14	9445514	Arandela de acero	1	36	9445537	Anillo O	1
15	9445515	Aspa del rotor	7	37	9445538	Buje del yunque	1
16	9445516	Rotor	1	38	9445539	Junta	1
17	9445517	Gancho E	1	39	9445541	Jaula del martillo	1
18	9445518	Cilindro	1	40	9445542	Anillo O	1
19	9445519	Pasador de espiga	1	41	9445543	Tornillo de puerto de grasa	1
20	9445520	Placa de extremo trasero	1				
21	9445521	Cojinete de bola	1				
22	9445522	Junta	1				



¿Tiene preguntas, problemas o faltan piezas? Antes de regresar a la tienda,
llame a Servicio al Cliente de Husky de lunes a viernes de 8 a.m. a 6 p.m., hora local del Este

1-888-43-HUSKY

HUSKYTOOLS.COM

Conserve este manual para uso futuro.

Article n° 1003-097-323
Modèle n° H4455



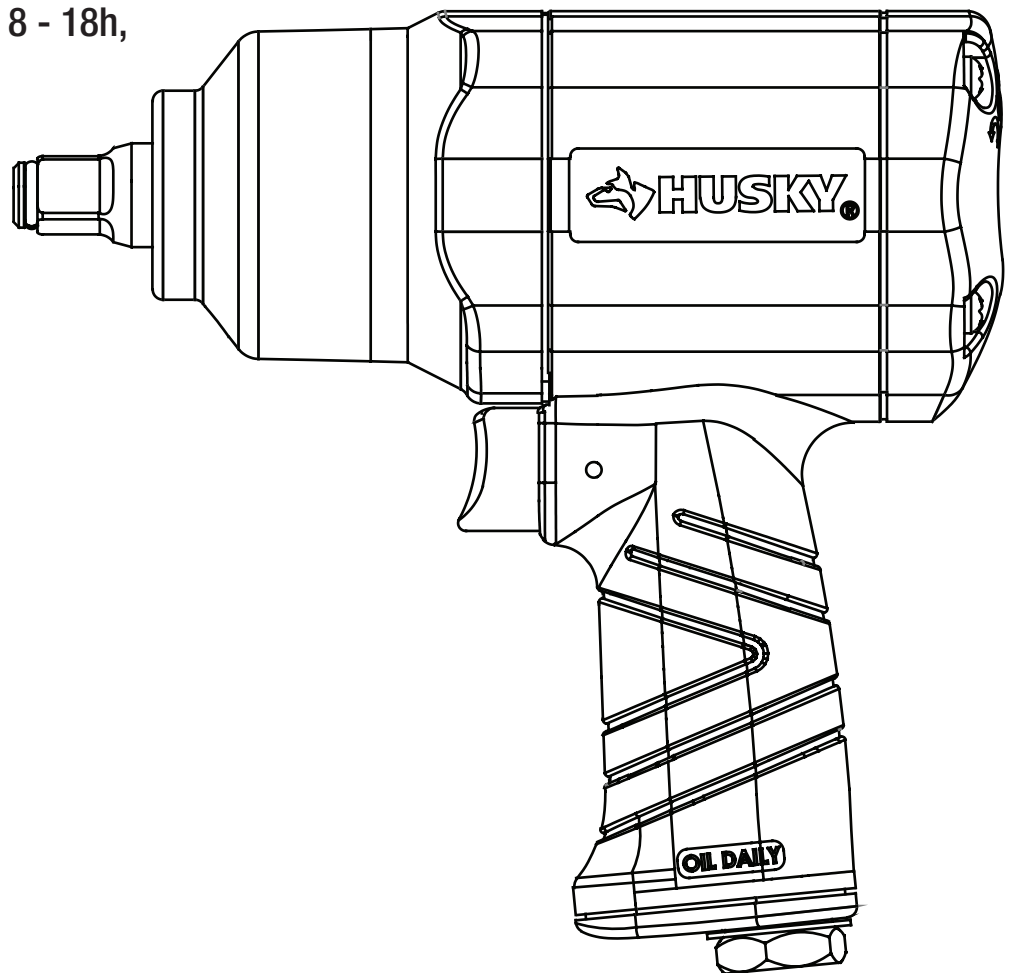
GUIDE D'UTILISATION ET D'ENTRETIEN

CLÉ À CHOCS DE 1/2 po

Questions, problèmes, pièces manquantes?
Avant de retourner au magasin, appelez le
service à la clientèle de Husky 8 - 18h,
heures normales de l'Est,
Lundi - Vendredi

1-888-43-HUSKY

HUSKYTOOLS.COM



MERCI

Nous apprécions votre confiance pour Husky au moment d'acheter cette clé à chocs. Nous nous efforçons continuellement de créer des produits de qualité conçus pour améliorer votre maison. Visitez-nous en ligne pour voir notre gamme complète de produits disponibles pour vos besoins de rénovation. Merci d'avoir choisi Husky!

TABLE DES MATIÈRES

Table des matières	2
Mesures de sécurité	2
Sécurité dans l'aire de travail	2
Sécurité des personnes	2
Sécurité du compresseur d'air et de l'outil à air	3
Garantie	3
Garantie limitée de trois ans pour les outils à air Husky	3
Limitations additionnelles	3
Pré-installation	4
Caractéristiques	4
Contenu de l'emballage	4

Installation	5
Fonctionnement	6
Maintenance	7
Lubrification	7
Dépannage	7
Pièces de rechange	8

Mesures de sécurité

SÉCURITÉ DANS L'AIRES DE TRAVAIL

1. Gardez votre aire de travail propre et bien éclairée. Assurez-vous que les planchers ne soient pas glissants à cause de la cire ou la poussière.
2. Ne faites pas fonctionner d'outils électriques dans une atmosphère explosive telle qu'en présence de liquides inflammables, de gaz ou de poussière. Les outils électriques créent des étincelles qui peuvent enflammer la poussière ou les émanations. Tenez les spectateurs, les enfants et les visiteurs loin lorsque vous faites fonctionner les outils. Toute distraction peut vous faire perdre le contrôle.
3. Débranchez toujours l'alimentation d'air et l'alimentation générale avant de faire des ajustements, réparer un outil, changer un accessoire ou lorsqu'un outil n'est pas utilisé.
4. Pour obtenir des informations supplémentaires à propos d'une utilisation sécuritaire, il est préférable d'obtenir une copie de CAGI B186.1-2009 de Husky Air Tools
851 Jupiter Park Lane
Jupiter, Florida 33458
(877) 260-1630.

SÉCURITÉ DES PERSONNES

1. Utilisez des accessoires de sécurité. Portez toujours des protections oculaires avec des écrans latéraux de protection lorsque vous utilisez des outils électriques. Un masque anti-poussière, des bottes de sécurité antidérapantes, un casque protecteur ou des protections oculaires doivent être utilisés selon les conditions.
2. Demeurez alerte lorsque vous utilisez un outil électrique. N'utilisez pas un outil électrique si vous êtes fatigué ou sous l'influence de drogues, d'alcool, ou de médicaments.
3. Ne portez ni vêtements amples ou bijoux. Attachez les cheveux longs. N'approchez jamais vos cheveux, vêtements ou gants des pièces en mouvement. Des vêtements amples, des bijoux ou des cheveux longs peuvent se prendre dans les pièces en mouvement.
4. Maintenez un bon appui et restez en équilibre en tout temps. Une bonne stabilité vous permet de mieux contrôler l'outil dans des situations inattendues.
5. N'utilisez pas sur une échelle ou sur un support instable.



AVERTISSEMENT : Risque de blessures corporelles. Prenez le temps de lire et de comprendre les instructions. Familiarisez-vous toujours avec toutes les instructions et les avertissements avant d'utiliser un outil pneumatique.



AVERTISSEMENT : Ce produit peut vous exposer à des produits chimiques comme le plomb, qui est connu pour l'État de Californie pour causer le cancer et la naissance de défauts ou d'autres troubles de la reproduction. Pour plus d'informations rendez-vous www.P65Warnings.ca.gov



AVERTISSEMENT : Certaines poussières créées par l'utilisation d'outils électriques tels que sableuse, scie, meule et autre activité de construction peuvent contenir des produits chimiques pouvant causer le cancer ou des malformations à la naissance ainsi que des torts au système reproducteur. Certains exemples de ses produits chimiques sont :

Le plomb des peintures à base de plomb, la silice cristallisée provenant des briques et du ciment ainsi que d'autres produits de maçonnerie et l'arsenic et le chrome du bois de construction traité chimiquement.

Vos risques d'exposition varient selon la fréquence à laquelle vous effectuez ce type de travail. Pour réduire votre exposition à ces produits chimiques, travaillez dans un endroit bien ventilé et travaillez avec des équipements de sécurité approuvés, tels que les masques antipoussières spécialement conçus pour filtrer les particules microscopiques.

Information de sécurité (suite)

SÉCURITÉ DU COMPRESSEUR D'AIR ET DE L'OUTIL À AIR

1. Risque d'éclatement. N'ajustez pas le régulateur pour obtenir une pression de sortie plus élevée que celle maximum indiquée pour cet outil à air.
2. Gardez le tuyau sans obstruction ou obstacles. Les tuyaux entremêlés ou emmêlés peuvent provoquer une perte d'équilibre ou position et peuvent être endommagés.
3. Ne laissez jamais un outil sans surveillance avec le tuyau à air attaché.
4. N'utilisez pas cet outil s'il n'a pas une étiquette d'avertissement lisible.
5. Ne continuez pas à utiliser un outil ou tuyau qui perd de l'air ou qui ne fonctionne pas correctement.
6. Ne dirigez jamais un coup d'air comprimé vers des gens ou des animaux.
7. Protégez vos poumons. Portez un masque facial ou de poussière si l'opération de l'unité dégage de la poussière.



AVERTISSEMENT : La protection auditive est recommandée. Une protection auditive doit être utilisée lorsque l'exposition aux niveaux de bruit est égal ou dépasse un niveau de bruit moyen pondéré par un coefficient temps de 8 heures de 85 dBA.



AVERTISSEMENT : N'utilisez pas une pression plus élevée que celle maximum homologuée pour cet outil à air.



AVERTISSEMENT : Ne tentez pas de modifier cet outil ou de créer des accessoires qui ne sont pas recommandés pour être utilisés avec cet outil. Toute altération ou modification est considérée comme un mésusage et pourrait résulter en des conditions dangereuses pouvant mener à des blessures corporelles sérieuses.



AVERTISSEMENT : Le fonctionnement de n'importe quel outil électrique peut entraîner la projection d'objets étrangers dans vos yeux, ce qui peut causer des dommages oculaires sérieux. Avant de commencer, portez toujours des lunettes de sécurité, des lunettes de protection avec des écrans latéraux de protection, ou un protecteur facial complet si nécessaire. Utilisez toujours une protection des yeux que se conforme avec la norme ANSI Z8.1.



AVERTISSEMENT : Évitez une exposition prolongée aux vibrations. Les outils pneumatiques peuvent vibrer pendant l'utilisation. Une exposition prolongée aux vibrations ou des mouvements très répétitifs des mains ou des bras peuvent provoquer des blessures. Arrêtez d'utiliser un outil s'il commence à occasionner d'inconfort, si vous sentez de fourmillement ou de la douleur. Vous devez consulter votre médecin avant d'utiliser l'outil à nouveau.

Garantie

GARANTIE LIMITÉE DE TROIS ANS POUR LES OUTILS À AIR HUSKY

Si à l'intérieur des trois années suivant la date d'achat, le produit d'outil à air Husky devenait défectueux au niveau des pièces ou de la main-d'œuvre, veuillez contacter immédiatement l'équipe de service au 1-888-43-HUSKY de 8 à 18h, heure normale de l'Est, Lundi-Vendredi, à l'exception des jours fériés. Ne retournez pas l'outil à air au magasin. Veuillez être préparé pour envoyer le produit et les frais d'affranchissement à l'adresse fournie par l'équipe de service. Le paquet doit également comprendre une copie du reçu d'achat daté du premier propriétaire avec le modèle d'outil à air y compris et cerclé. Le numéro de série et le mois/année du fabricant de l'outil à air doit également être inclus pour déterminer la garantie. Un produit défectueux sera remplacé sans délais par un neuf ou de valeur égale ou supérieure. Cette garantie exclut tous dommages directs ou indirects et toutes déficiences découlant d'une mauvaise utilisation ou d'une utilisation abusive ou de l'usure et de la détérioration normales. La présente garantie vous confère des droits spécifiques et vous pourriez également jouir d'autres droits selon votre état.

Veuillez contacter l'équipe de service au 1-888-43-HUSKY ou visitez www.HUSKYTOOLS.com.

LIMITATIONS ADDITIONNELLES

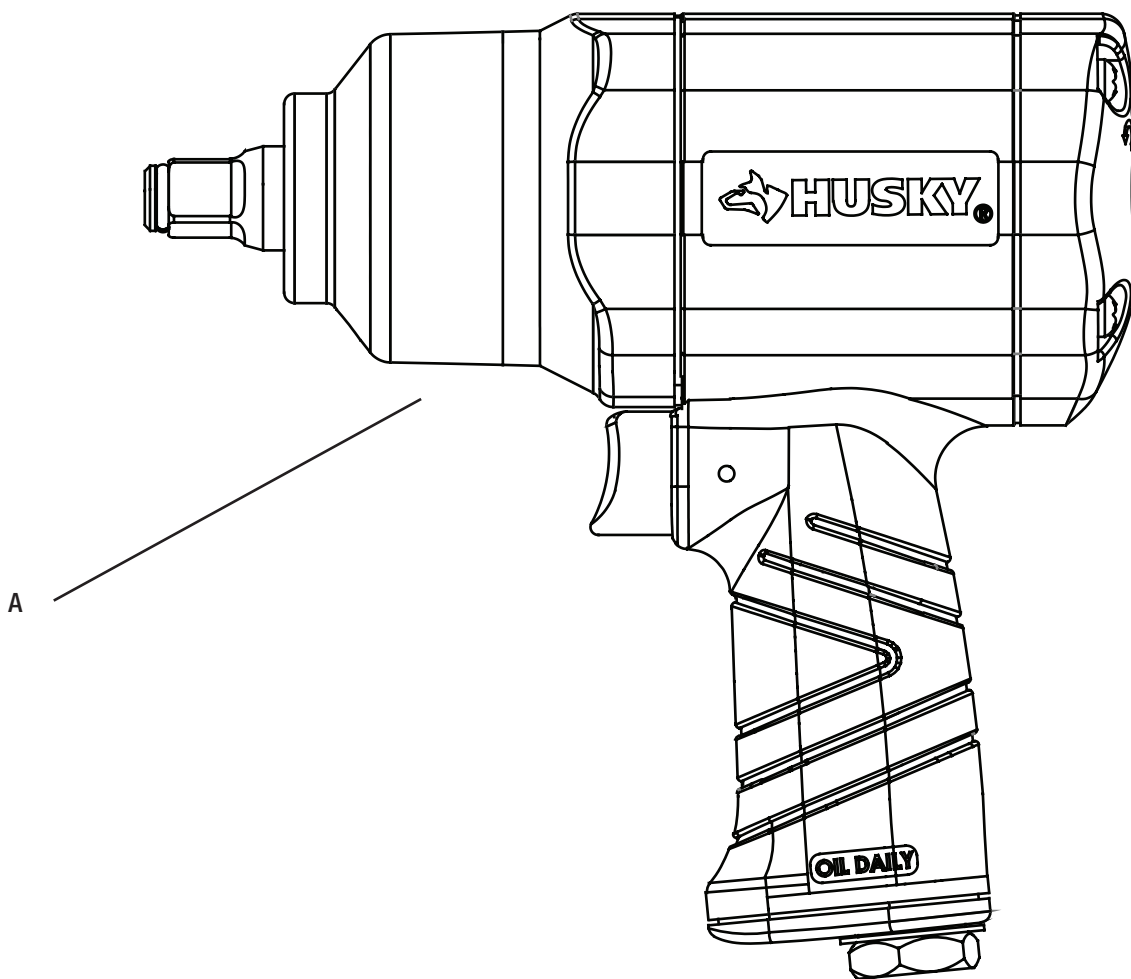
Dans la mesure où il est permis par la loi, toutes les garanties tacites, y compris les garanties de qualité marchande ou d'adaptation pour un objectif particulier, sont exclues. Toute garantie tacite, y compris les garanties de qualité marchande ou d'adaptation pour un objectif particulier, qui ne peut pas être exclue dans le cadre de la loi de l'état, est limitée à deux ans à partir de la date d'achat. Husky n'est pas responsable pour tout dommage, que ce soit direct, indirect, accessoire, spécial ou important. Si le compresseur d'air est utilisé à des fins commerciales, cette garantie ne s'applique que pour les quatre-vingt-dix (90) jours suivant la date d'achat. Certains états n'autorisent pas les limitations à propos de la quantité de temps que la garantie tacite peut durer et/ou n'autorisent pas l'exclusion ou la limite de dommages circonstanciels ou conséquents, de sorte que la limite ci-dessus ne s'appliquera pas pour vous. La présente garantie vous confère des droits juridiques spécifiques, et vous pourriez également jouir d'autres droits selon votre province.

Préparation à l'utilisation

SPÉCIFICATIONS

Vitesse en régime libre (tr/min)	Carré d'entraînement (po)	Impacts par minute	Serrage au couple max. (pi-lb) @ 90 PSI	Poids (lb)	Longueur (po)	Cons. d'air (SCFM)	Pression maximum de fonctionnement (PSI)
7 500	1/2	1 050	650	4,80	7,66	5,0	90

CONTENU



Pièce	Description	Quantité
A	Clé à chocs de 1/2 po	1

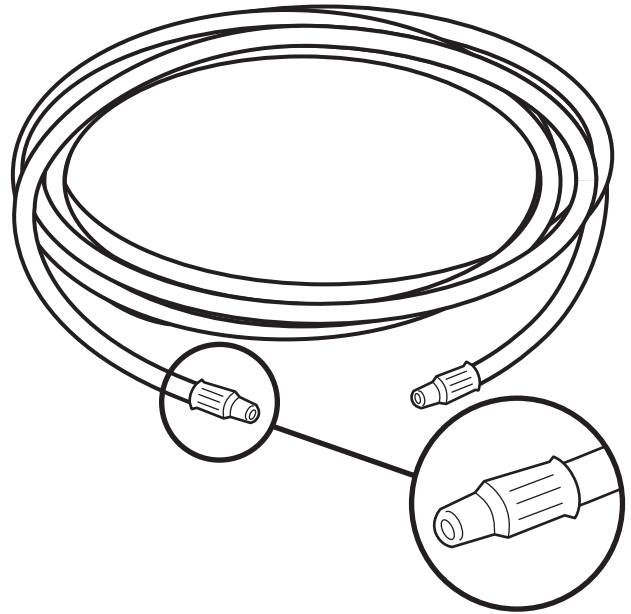
Installation

1 Nettoyer le tuyau à air

- On a besoin d'un tuyau à air de 3/8 po (1 cm), avec une longueur maximum de 25 pi (7,6 m).
- Nettoyer le tuyau à air de la poussière accumulée et de l'humidité avant de le brancher à l'alimentation d'air.



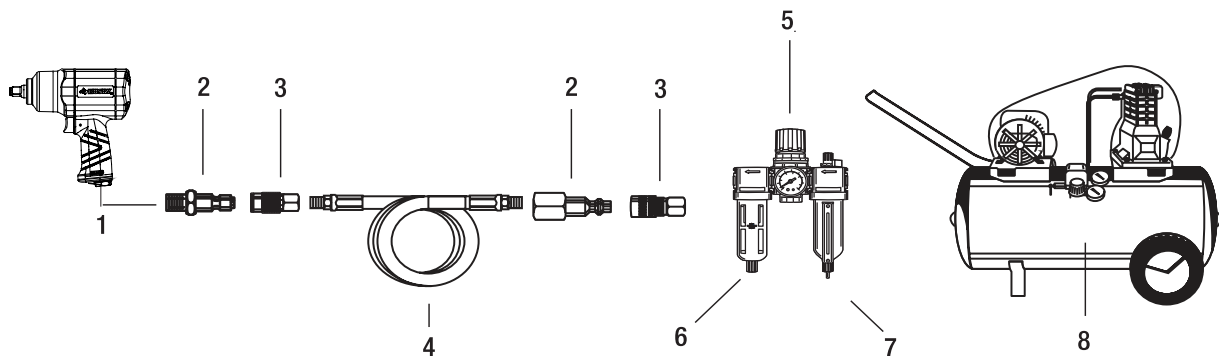
REMARQUE : Si vous avez besoin d'un tuyau à air plus long, branchez un tuyau à air de 1/2 po (1,2 cm) au tuyau de 3/8 po (1 cm) pour vous assurer que la clé à chocs dispose de l'alimentation d'air nécessaire.



2 Raccordement à l'alimentation d'air

- Toujours utiliser de l'air sec et propre. La poussière et l'humidité excessives vont réduire nettement la durée de tout moteur pneumatique. Nous vous recommandons d'installer un lubrificateur-régulateur-filtre en ligne aussi près de l'outil que possible.
- S'assurer que tous les tuyaux et raccords sont de la taille correcte et resserrés fermement.

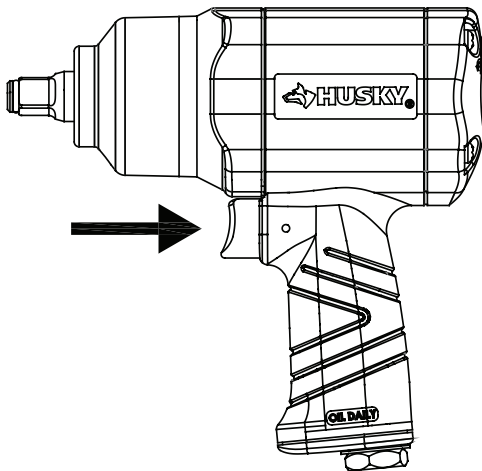
Configuration recommandée du conduit du air	
Pièce	Description
1	Clé à chocs de 1/2 po
2	Bouchon rapide
3	Raccord à dégagement rapide
4	Tuyau à air
5	Régulateur en ligne
6	Lubrifiant en ligne
7	Filtre en ligne
8	Compresseur d'air



Fonctionnement

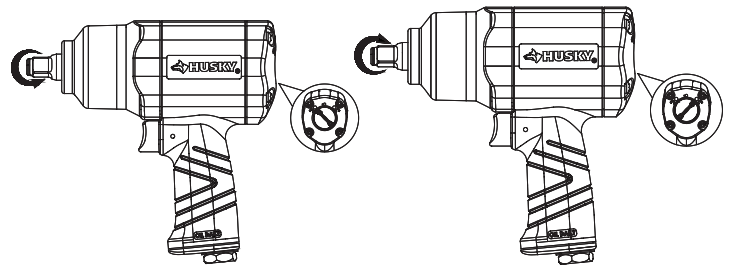
1 Fonctionnement de la clé à chocs

- La clé à chocs de 1/2 po est conçue pour fonctionner à 90 PSIG. Une pression plus basse (inférieure à 90 PSIG) va réduire la performance de l'outil. Une pression d'air supérieure (à 90 PSIG) va améliorer la performance de l'outil au-delà de sa capacité et pourrait provoquer des dommages sérieux à l'outil et à l'utilisateur.



2 Changer la direction de la couple de sortie

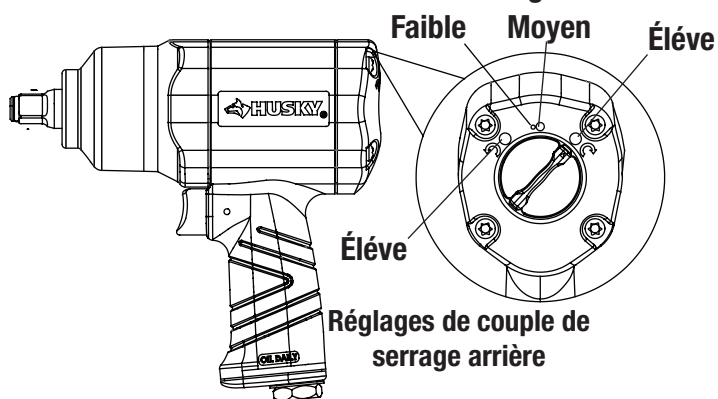
- Cet outil possède l'interrupteur de marche arrière pour changer la direction de la couple de sortie afin de serrer (assembler) ou desserrer (désassembler) le boulon ou l'attache.
- Contrôler la direction de la couple de sortie en tournant le bouton de l'interrupteur de marche arrière vers la position F (Forward - avant) ou R (Reverse - marche arrière) pour changer de direction.



3 Changer le niveau de la couple de sortie

- Cette outil fait en sorte que le régulateur d'air gère la puissance de sortie située à l'arrière du boîtier.
- Faire pivoter le bouton pour ajuster au niveau de couple approprié.
- Le réglage à gauche est le niveau de puissance le plus faible, celui du centre pour un niveau moyen et celui de droite pour le niveau le plus élevé.

Réglages de couple de serrage avant



4 Installer et enlever les douilles pour clé à chocs



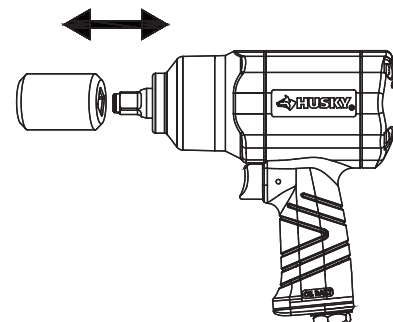
AVERTISSEMENT : Débrancher l'outil de l'alimentation d'air avant d'effectuer l'entretien ou la modification d'accessoires. Toujours utiliser des douilles homologuées pour les clés à chocs.

Pour installer la douille pour clé à choc :

- Débrancher l'outil de la source d'air.
- Sélectionner la taille de la prise souhaitable et appropriée.
- Appuyer sur l'enclume afin de l'insérer dans la prise.

Pour enlever la douille pour clé à chocs :

- Débrancher l'outil de la source d'air.
- Utiliser votre main ou un outil appropriée pour enlever la douille.



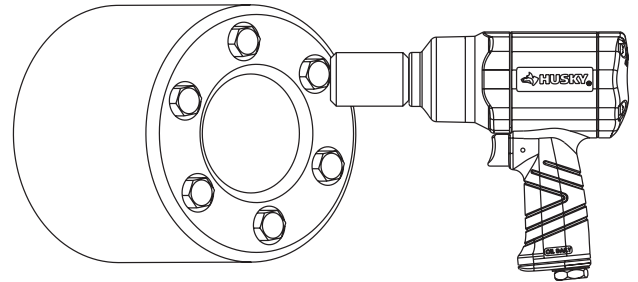
Fonctionnement (suite)

5 Serrer ou desserrer le boulon ou attache



AVERTISSEMENT : Lorsqu'un boulon ou attache est complètement installé, l'impact pendant plus de cinq (5) secondes va provoquer un usage excessif et de possibles dommages au mécanisme d'impact. Si cela prend plus pour serrer ou desserrer votre boulon ou attache, nous vous recommandons d'utiliser une clé à chocs de plus grande taille.

- Insérer la clé à chocs.
- Tenir la clé à chocs avec une main.
- S'assurer que l'opérateur est conscient de la direction de serrage de couple pour serrer (Forward) ou desserrer (Reverse) et qu'il a sélectionné le niveau de couple approprié.
- Utiliser l'outil pour serrer ou desserrer le boulon ou l'attache.

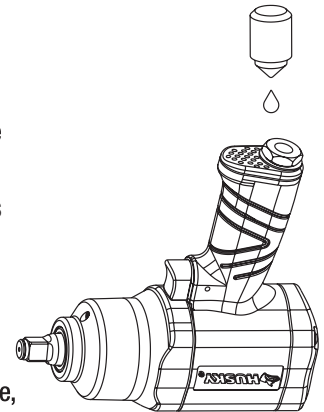


Maintenance

S'assurer que le conduit d'air est éteint et sans air avant d'enlever cet outil afin de nettoyer ou changer les prises. Ceci préviendra que l'outil fonctionne si le papillon est accidentellement actionné.

LUBRIFICATION

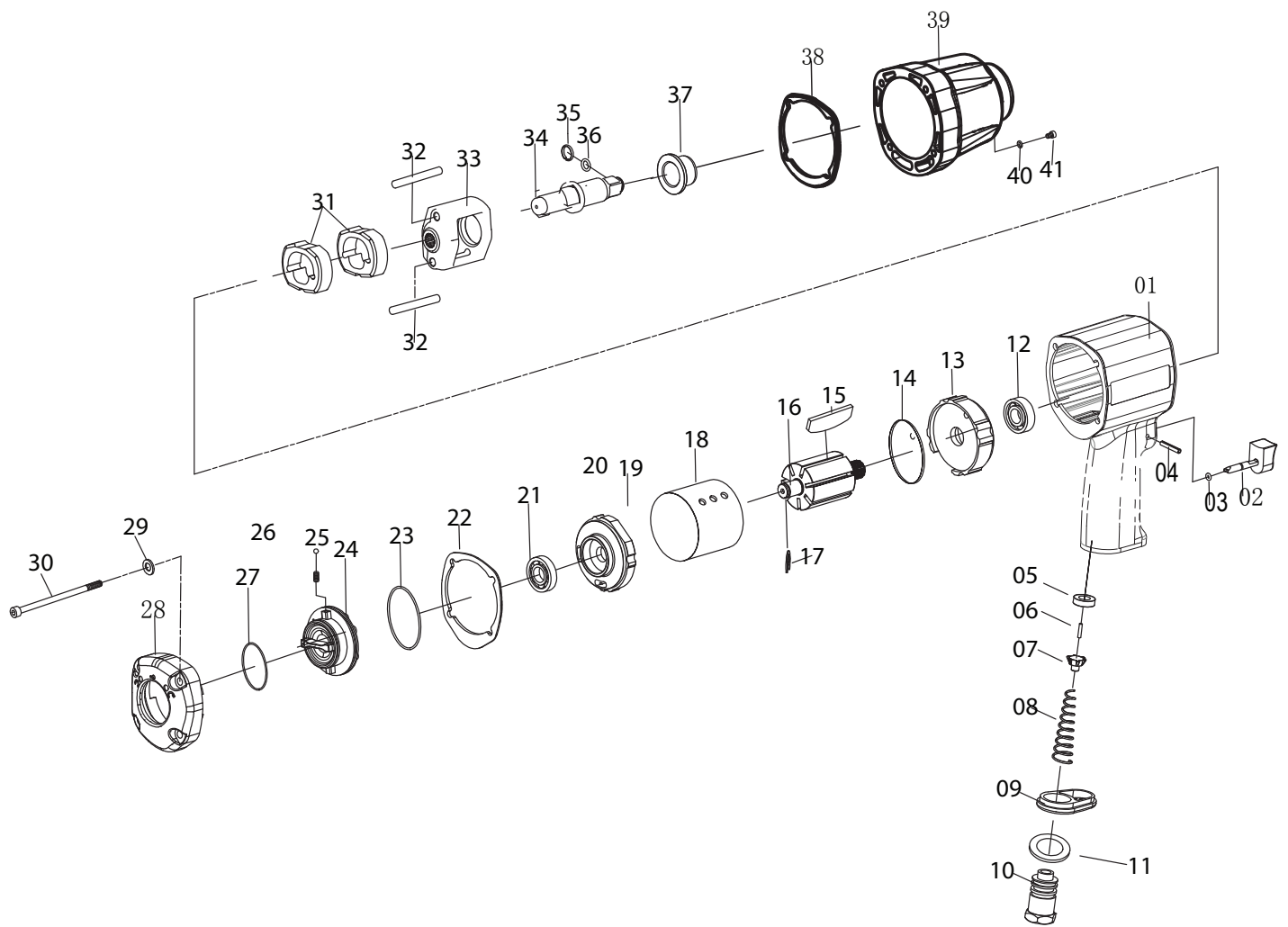
- Un filtre-régulateur-lubrificateur en ligne est recommandé puisqu'il augmente la durée de vie utile de l'outil et conserve ce dernier en bon état de fonctionnement.
- Vérifier régulièrement et remplir le lubrificateur en ligne avec de l'huile d'outil à air. Éviter utiliser des quantités excessives d'huile.
- Ajuster le lubrificateur en ligne en plaçant une feuille de papier à côté des orifice d'échappement de l'outil et en tenant ouvert le papillon pendant environ 30 secondes. Le lubrificateur est réglé correctement lorsqu'une fine goutte d'huile tombe sur la feuille.
- S'il est nécessaire d'entreposer l'outil pendant une longue période de temps (la nuit, la fin de semaine, etc.), lubrifier largement l'outil à partir de l'admission d'air. Faire fonctionner l'outil pendant environ 30 secondes pour vous assurer que l'huile a été distribuée partout dans l'outil. Conserver l'outil dans un endroit propre et sec.
- Lubrifiants recommandés : Huile d'outil à air ou toute autre huile de turbine de grade supérieur contenant un hydroabsorbent, des inhibiteurs d'oxydation, des agents mouillants métalliques, et additif EP (extrême pression).



Dépannage

Problème	Cause Possible	Solution
L'outil fonctionne lentement ou ne fonctionne pas.	Il y a du grès ou de la gomme dans l'outil.	Rincer l'outil avec de l'huile d'outil à air ou un solvant pour gomme.
	L'outil n'a pas d'huile.	Lubrifier l'outil selon les instructions de lubrification dans ce manuel.
	La pression d'air trop basse.	<ul style="list-style-type: none"> <input type="checkbox"/> Ajuster le régulateur sur l'outil au réglage maximum. <input type="checkbox"/> Ajuster le régulateur du compresseur au réglage maximum de l'outil, c'est-à-dire, 90 psi.
	Fuite du tuyau à air.	Serrer et fermer les agencements du tuyau avec du ruban pour tuyauterie si vous trouvez des fuites.
	Chute de la pression d'air.	<ul style="list-style-type: none"> <input type="checkbox"/> S'assurer que le tuyau est de la taille appropriée. Les longs tuyaux ou les outils utilisant de grandes quantités d'air, peuvent avoir besoin d'un tuyau avec un ID de 1/2 po ou plus selon la longueur totale du tuyau. <input type="checkbox"/> Ne pas utiliser plusieurs tuyaux branchés ensemble avec un raccord à branchement rapide. Ceci provoque une chute supplémentaire de la pression et réduit la puissance de l'outil. Brancher directement les tuyaux ensemble.
	Il y a une pale de rotor usée dans le moteur.	Remplacer la pale de rotor.
	Il y a un roulement à billes usé dans le moteur.	Enlever et vérifier le roulement pour rouille, poussière et grès. Remplacer ou nettoyer et lubrifier le roulement avec graisse à roulements.
Il y a de la moisissure qui sort des orifices d'échappement de l'outil.	Il y a de l'eau dans le réservoir.	Purger le réservoir. (Voir le manuel du compresseur d'air pour les instructions.) Lubrifier l'outil et faites-le fonctionner jusqu'à ce que l'eau ne soit plus là. Lubrifier l'outil à nouveau et faire fonctionner pendant 1 à 2 secondes.
L'outil impacte lentement ou pas de tout.	L'outil a besoin d'être lubrifié.	Lubrifier le moteur pneumatique et le mécanisme d'impact selon les instructions de lubrification dans ce manuel.
	La configuration du régulateur de l'outil est à la place incorrecte.	Ajuster le régulateur sur l'outil au réglage maximum.
L'outil impacte rapidement, mais n'enlève pas les boulons.	L'outil a un mécanisme d'impact usé.	Remplacer les composants usés du mécanisme d'impact.
L'outil n'impacte pas.	Le mécanisme d'impact est brisé.	Remplacer les composants brisés du mécanisme d'impact.

Pièces de rechange



Pièces de rechange (suite)

Numéro de référence	Numéro de pièce	Description	Qté.
1	9445501	Assemblage de support	1
2	9445502	Assemblage de détente	1
3	9445503	Joint torique	1
4	9445504	Goupille de détente	1
5	9445505	Joint étanche à l'huile	1
6	9445506	Tige de manœuvre	1
7	9445507	Robinet d'étranglement	1
8	9445508	Ressort de soupape	1
9	9445509	Défecteur d'éjection	1
10	9445510	Admission d'air NPT	1
11	9445511	Rondelle	1
12	9445512	Roulement à billes	1
13	9445513	Plaque avant	1
14	9445514	Rondelle d'acier	1
15	9445515	Pale de rotor	7
16	9445516	Rotor	1
17	9445517	Pince en E	1
18	9445518	Cylindre	1
19	9445519	Goupille de positionnement	1
20	9445520	Plaque arrière	1
21	9445521	Roulement à billes	1
22	9445522	Joint d'étanchéité	1

Numéro de référence	Numéro de pièce	Description	Qté.
23	9445523	Joint torique	1
24	9445524	Ensemble dde commutateur	1
25	9445525	Bille d'acier	1
26	9445526	Ressort	1
27	9445527	Joint torique	1
28	9445528	Bouchon d'extrémité	1
29	9445529	Rondelle à ressort	4
30	9445530	Vis de fixation	4
31	9445532	Marteau à crochet	2
32	9445533	Plot de marteau	2
33	9445534	Cage de marteau	1
34	9445535	Enclume	1
35	9445536	Dispositif de retenue de douille	1
36	9445537	Joint torique	1
37	9445538	Manchon d'enclume	1
38	9445539	Joint d'étanchéité	1
39	9445541	Cage de marteau	1
40	9445542	Joint torique	1
41	9445543	Vis de port de graissage	1



**Questions, problèmes, pièces manquantes? Avant de retourner au magasin,
appelez le Service à la clientèle de Husky
8 - 18h, heures normales de l'Est, Lundi - Vendredi**

1-888-43-HUSKY

HUSKYTOOLS.COM

Conservez ce manuel pour référence future.