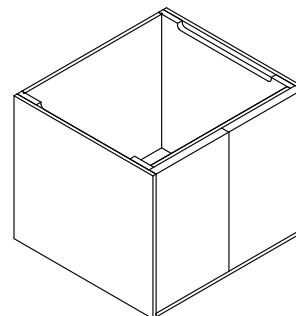


Features

- Catalyzed conversion varnish provides a durable moisture-resistant finish.
- Furniture-style inset construction for doors.
- Two single doors.
- Three-way adjustable slow-close door hinges with 110-degree opening capability for easy cabinet access.
- Door pulls are sold separately.
- Coordinates with other products in the Jute™ collection.
- Wall-hung design offers a clean, streamlined look.

Material

- Solid wood and veneers.



For complete listing of available colors, go to kohler.com.

Codes/Standards

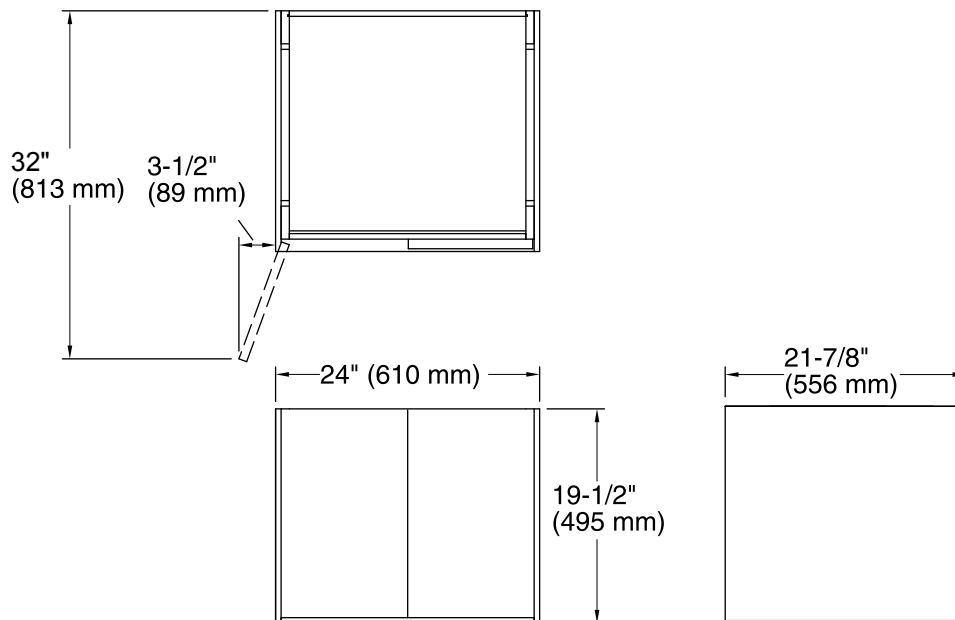
CARB P2

KOHLER® One-Year Limited Warranty

See website for detailed warranty information.

Product Specification

Vanity shall be 24" (610 mm) in width, 21-7/8" (556 mm) in depth, and 19-1/2" (495 mm) in height. Vanity shall be made of solid wood and veneers. Vanity shall be catalyzed conversion varnish finish. Vanity shall be frameless construction with full-overlay inset doors. Vanity shall be with two single doors. Vanity shall be with three-way adjustable slow-close door hinges with 110° opening capability. Vanity shall be wall-hung design. Vanity shall be KOHLER Model K-99539.



Technical Information

All measurements are approximate only.

Vanity type: Wall-mount

Installation Notes

Install this product according to the installation guide.

Decorative cabinet hardware is not supplied. Refer to the KOHLER bath accessories line for recommended cabinet hardware to complement your vanity.

Select the type of fastener based upon the wall material. Two 500 lb (227 kg) minimum load bearing fasteners are recommended.