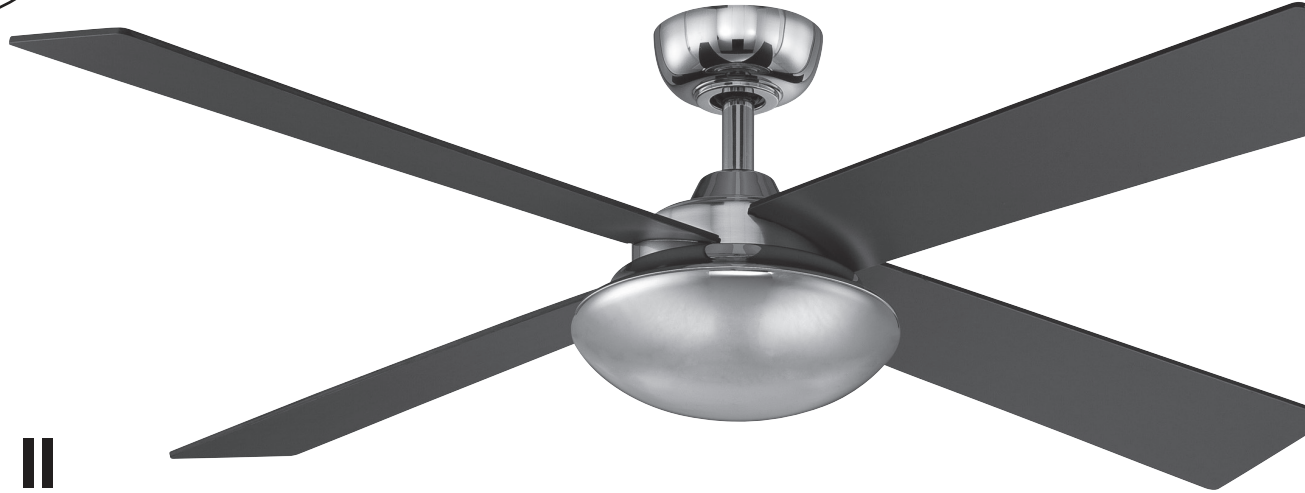




326 201



# **Spoletto II** **52 in Ceiling Fan** **Owner's Manual**

---

**Spoletto II**  
**Ventilador de Techo de 1,32 m**  
**Manual del Propietario**





**C**ongratulations on your purchase of a Hampton Bay ceiling fan. Your new fan will be a beautiful addition to your home, and will keep you comfortable throughout the year.

The Hampton Bay Fan Company offers a wide variety of ceiling fans. We offer combinations of wood and brass finishes, solid designer colors, and our unique glass and crystal designs.

A large selection of light fixtures and light kits is also available. Ask your dealer about other accessories that will allow you to further customize your fan.

We're certain that your Hampton Bay fan will provide you with many years of comfort, energy savings and satisfaction. To ensure your personal safety and to maximize the performance of your fan, please read this manual thoroughly.

## **Spoleto II by Hampton Bay®**

# 52” Spoleto II Ceiling Fan by Hampton Bay

Thank you for purchasing our ceiling fan. This product has been manufactured with the highest standards of safety and quality.

Date Purchased \_\_\_\_\_

Store Purchased \_\_\_\_\_

Model No. \_\_\_\_\_ 326-201

Serial No. \_\_\_\_\_

Vendor No. \_\_\_\_\_ 219032

UPC \_\_\_\_\_ 792145356103

## Table of Contents

Safety Rules . . . . .	1
Unpacking Your Fan . . . . .	2
Installing Your Fan . . . . .	3
Operating Your Fan . . . . .	10
Care of Your Fan . . . . .	11
Troubleshooting . . . . .	11
Specifications . . . . .	12
Warranty Information . . . . .	13

# Safety Rules - Read and Save These Instructions

1. To reduce the risk of electric shock, insure electricity has been turned off at the circuit breaker or fuse box before beginning.
2. All wiring must be in accordance with the National Electrical Code “ANSI/NFPA 70-1999” and local electrical codes. Electrical installation should be performed by a qualified licensed electrician.
3. **WARNING:** To reduce the risk of electrical shock or fire, do not use this fan with any solid-state fan speed control device. It will permanently damage the electronic circuitry.
4. **CAUTION:** To reduce the risk of personal injury, use only the screws provided with the outlet box.
5. The outlet box and support structure must be securely mounted and capable of reliably supporting a minimum of 35 pounds. Use only UL Listed outlet boxes marked “**FOR FAN SUPPORT**”.
6. The fan must be mounted with a minimum of 7 feet clearance from the trailing edge of the blades to the floor.
7. Avoid placing objects in path of the blades.
8. To avoid personal injury or damage to the fan and other items, be cautious when working around or cleaning the fan.
9. Do not use water or detergents when cleaning the fan or fan blades. A dry dust cloth or lightly dampened cloth will be suitable for most cleaning.
10. After making electrical connections, spliced conductors should be turned upward and pushed carefully up into outlet box. The wires should be spread apart with the grounded conductor and the equipment-grounding conductor on one side of the outlet box and ungrounded conductor on the other side of the outlet box.
11. All set screws must be checked and retightened where necessary before installation.

## **WARNING**

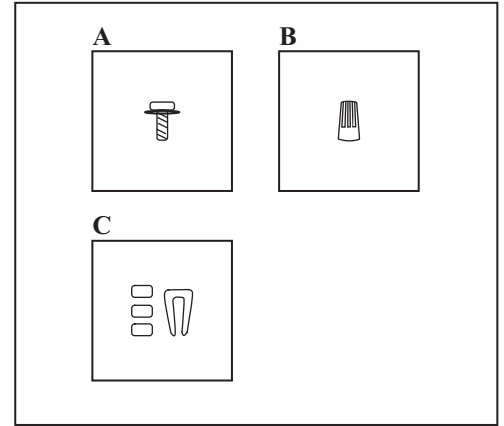
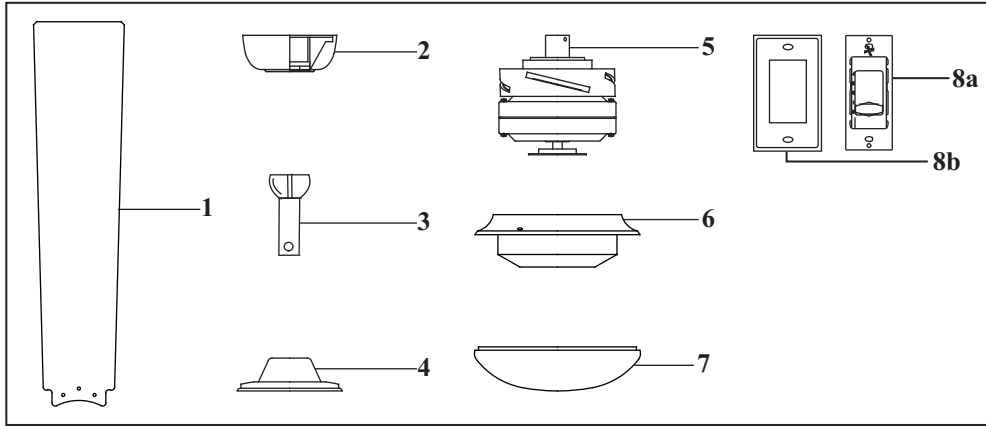
TO REDUCE THE RISK OF PERSONAL INJURY, DO NOT BEND THE BLADE ARMS (ALSO REFERRED TO AS FLANGES), WHEN INSTALLING THE BRACKETS, BALANCING THE BLADES OR CLEANING THE FAN. DO NOT INSERT FOREIGN OBJECTS IN – BETWEEN ROTATING FAN BLADES.

## **WARNING**

TO REDUCE THE RISK OF FIRE, ELECTRIC SHOCK OR PERSONAL INJURY, MOUNT FAN TO OUTLET BOX MARKED ACCEPTABLE FOR FAN SUPPORT WITH THE SCREWS PROVIDED WITH THE OUTLET BOX.

# Unpacking Your Fan

Unpack your fan and check the contents. You should have the following items:



1. Set of blades (4)
2. Canopy assembly
3. Ball/downrod assembly
4. Coupling cover
5. Fan motor assembly

6. Motor housing
7. Decorative cover
- 8a. 4-speed wall control with 2 mounting screws and 3 wire nuts
- 8b. Mounting plate with 2 mounting screws

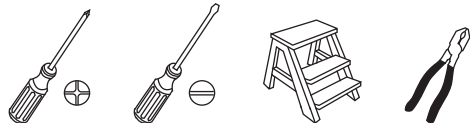
- A. Blade Attachment Hardware (13 Screws with Fiber Washers)
- B. Electrical Hardware (3 Plastic Wire Nuts)
- C. Balancing Kit

**WARNING**  
DO NOT INSTALL OR USE FAN IF ANY PART IS DAMAGED OR MISSING.  
CALL TOLL FREE 1-877-902-5588.

# Installing Your Fan

## Tools Required

Phillips screwdriver, straight slot screwdriver, step ladder and wire cutters.



## Mounting Options

If there isn't an existing UL listed mounting box, then read the following instructions. Disconnect the power by removing fuses or turning off circuit breakers.

Secure the outlet box directly to the building structure. Use appropriate fasteners and building materials. The outlet box and its support must be able to fully support the moving weight of the fan (at least 35 lbs). Do not use plastic outlet boxes.

### WARNING

TO REDUCE THE RISK OF FIRE, ELECTRIC SHOCK OR PERSONAL INJURY, MOUNT FAN ONLY TO AN OULET BOX MARKED ACCEPTABLE FOR FAN SUPPORT AND USE THE MOUNTING SCREWS PROVIDED WITH THE OULET BOX. OULET BOX COMMONLY USED FOR THE SUPPORT OF LIGHTING FIXTURE MAY NOT BE ACCEPTABLE FOR FAN SUPPORT AND MAY NEED TO BE REPLACED. CONSULT A QUALIFIED ELECTRICIAN IF IN DOUBT.

Figures 1~3 are examples of different ways to mount the outlet box.

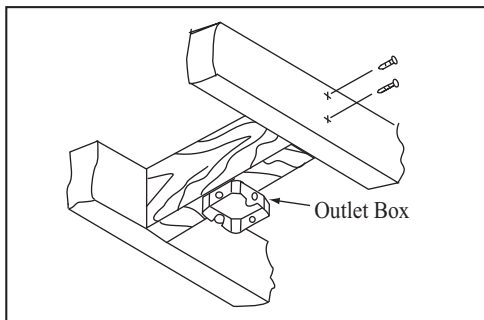


Figure 1

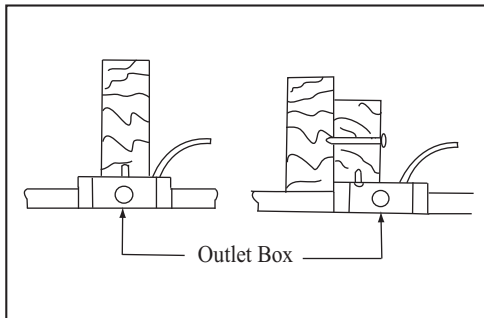


Figure 2

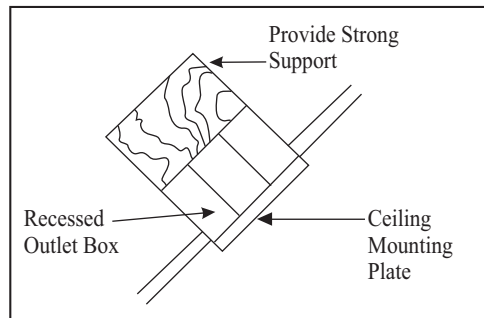


Figure 3

**Note:** You may need a longer downrod to maintain proper blade clearance when installing on a steep, sloped ceiling. The maximum angle allowable is 19°. If the canopy touches downrod, remove the decorative canopy bottom cover and turn the canopy 180° before attaching the canopy to the mounting plate.

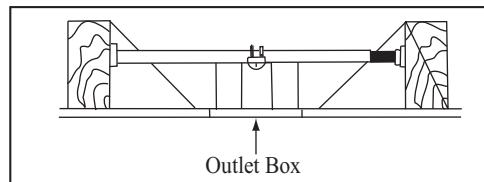


Figure 4

To hang your fan where there is an existing fixture but no ceiling joist, you may need an installation hanger bar as shown in Figure 4 (available at any Home Depot store).

## Attaching the Fan Blades

1. Insert the blade through the slots in the top housing. Align the holes from the blade to the holes from the top housing and secure in place with screws provided. (Figure 5)
2. Repeat process with other blades.

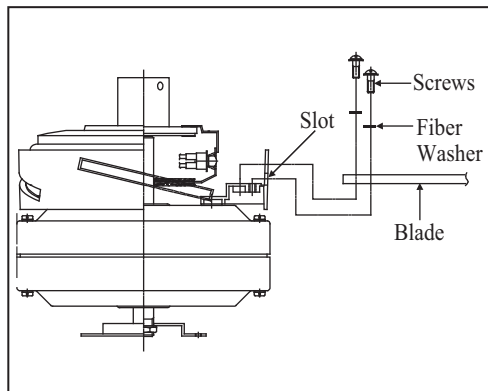


Figure 5

### WARNING

DO NOT INSERT FOREIGN OBJECTS BETWEEN ROTATING FAN BLADES.

## Blade Balancing

The following procedure should correct most fan wobble. Check after each step.

1. Check that all blade and blade bracket screws are secure.
2. Most fan wobble problems are caused when blade levels are unequal. Check this level by selecting a point on the ceiling above the tip of one of the blades. Measure from a point on the center of each blade to the point on the ceiling. Measure this distance as shown in Figure 6. Rotate the fan until the next blade is positioned for measurement. Repeat for each blade. Measurements deviation should be within  $1/8$ ". Run the fan for 10 Minutes.
3. Use the enclosed Blade Balancing Kit if the blade wobble is still noticeable.

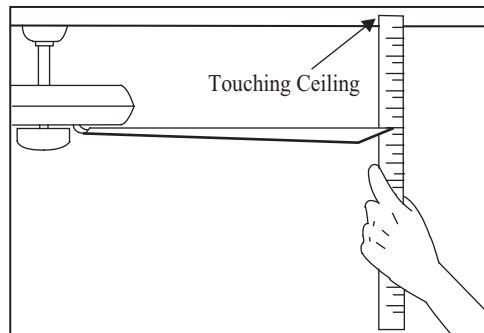


Figure 6

# Hanging the Fan

**REMEMBER** to turn off the power. Follow the steps below to hang your fan properly.

1. Remove the decorative canopy bottom cover from the canopy by turning the cover counter clockwise. (Figure 7)
2. Remove the mounting bracket from the canopy by removing the 1 of 2 screws from the bottom of the mounting bracket and loosening the other one a half turn from the screw head. Next, turn the canopy counter clockwise to removing the mounting bracket from the canopy. (Figure 7)
3. Remove the clevis pin, cotter pin and set screws from the top of the motor assembly. (Figure 8)

**NOTE:** If a longer downrod is needed, take out the screw located in the hanger ball, lower the hanger ball and remove the pin, remove all 3 pieces from the downrod and assemble them onto the new longer downrod before proceeding step 4. (The longer downrod is available at any Home Depot store)

4. Route wires exiting from the top of the fan motor through the coupling cover, canopy cover, canopy and then through the ball/downrod. (Figure 8)

5. Align the holes at the bottom of the downrod with the holes in the coupling on top of the motor housing (Figure 8). Carefully insert the clevis pin through the holes in the collar and downrod. Be careful not to jam the clevis pin against the wiring inside the downrod. Insert the cotter pin through the hole near the end of the clevis pin until it snaps into its locked position, as noted in the circle inset of Fig. 8.

## WARNING

**FAILURE TO PROPERLY INSTALL COTTER PIN AS NOTED IN STEP 5 COULD RESULT IN FAN LOOSENING AND POSSIBLY FALLING.**

6. Tighten two set screws at top of the fan motor collar firmly and evenly. (Fig. 8)

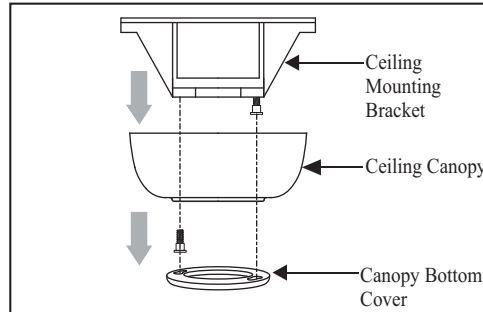


Figure 7

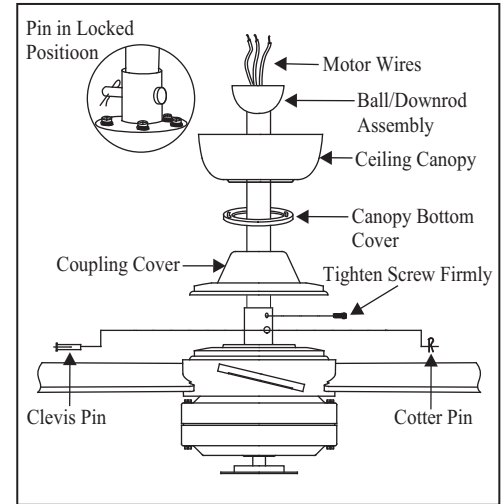


Figure 8



# Installing Fan to the Electrical Box

## WARNING

TO REDUCE THE RISK OF FIRE, ELECTRIC SHOCK OR OTHER PERSONAL INJURY, MOUNT FAN ONLY TO AN OUTLET BOX OR SUPPORTING SYSTEM MARKED ACCEPTABLE FOR FAN SUPPORT AND USE THE MOUNTING SCREWS PROVIDED WITH THE OUTLET BOX.

1. Pass the 120-volt supply wires through the center hole in the ceiling mounting bracket as shown in Figure 9.
2. Install the ceiling mounting bracket on the outlet box with the screws and washers provided with your outlet box. (Figure 9)
3. Security tighten the two mounting screws.
4. Carefully lift the fan assembly up to the ceiling mounting bracket and seat the hanger ball in the mounting bracket socket. Make sure the tab on the mounting bracket socket is properly seated in the groove in the hanger ball. (Figure 10)  
This will help to balance the ceiling fan.

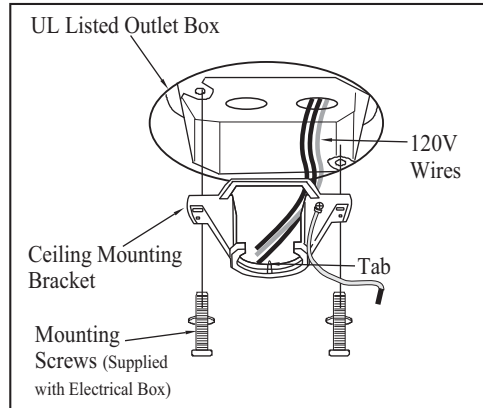


Figure 9

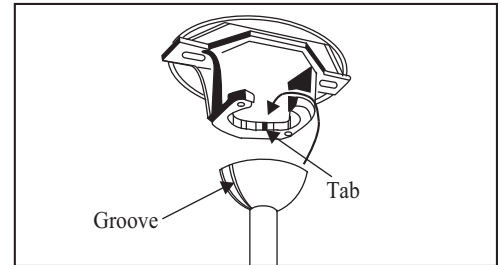


Figure 10

## WARNING

THE TAB IN THE RING MUST REST IN THE GROOVE OF THE HANGER BALL AS FIGURE 10. FAILURE TO PROPERLY SEAT THE TAB IN THE GROOVE COULD CAUSE DAMAGE TO WIRING.

# Making the Electrical Connections

## WARNING

**TO AVOID POSSIBLE ELECTRICAL SHOCK, BE SURE ELECTRICITY IS TURNED OFF AT THE MAIN FUSE BOX BEFORE WIRING.**

If you feel you do not have enough electrical wiring knowledge or experience, have your fan installed by a licensed electrician.

1. Disconnect the power and remove the existing wall plate and switch from the wall junction box. (Figure 11).
2. Set knobs on the wall control in the 0 position.
3. Make wire connections (Figure 12) and secure with wire nuts supplied.
  - Black wire from fan to black wire from speed control.
  - Black wire from speed control to black wire from the A/C supply source.
  - White wire from fan to white wire from the A/C supply source.
  - Connect the fan ground wire (green) to the household ground wire.
4. If your outlet box has a ground wire (green or bare copper) connect the wall transmitter's

ground wire to it; otherwise connect the wall transmitter's ground wire directly to one of the screws from the outlet box.

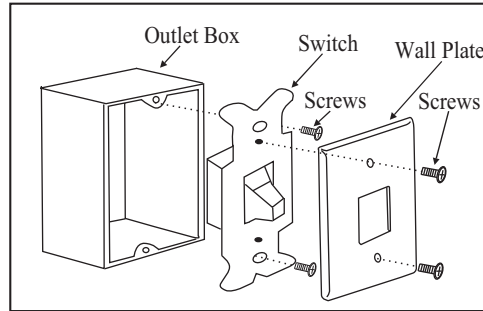


Figure 11

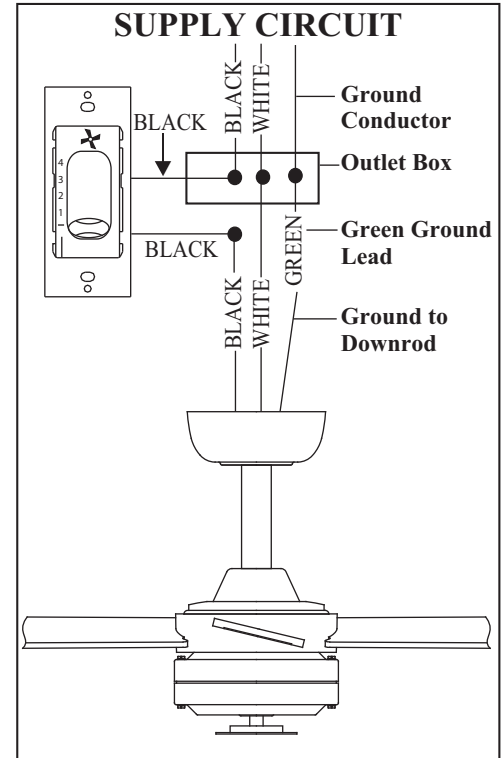


Figure 12

## Installing the Wall Transmitter

**Remember** to shut the power off at the circuit breaker or fuse box.

### WARNING

**HOO K U P I N "S E R I E S O N L Y" D O N O T C O N N E C T T H E H O T A N D N E U T R A L W I R E S O F E L E C T R I C C I R C U I T T O T H E T R A N S M I T T E R W A L L S W I T C H - D A M A G E T O T H E S W I T C H A N D P O S S I B L E F I R E C O U L D O C C U R .**

1. (Fig. 13) Carefully tuck the wire connections inside the junction box. Secure the wall transmitter with the two screws provided.
2. Attach the wall plate over the wall transmitter and secure with the two screws provided.

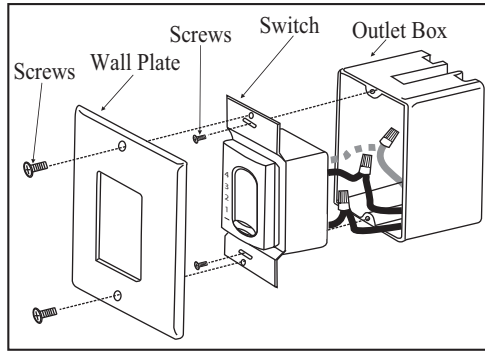


Figure 13

## Finishing the Fan Installation

1. Tuck connections neatly into ceiling outlet box.
2. Slide the canopy up to mounting bracket and place the key hole on the canopy over the screw on the mounting bracket, turn canopy until it locks in place at the narrow section of the key holes. (Fig. 14)
3. Align the circular hole on canopy with the remaining hole on the mounting bracket, secure by tightening the two set screws. **Note:** Adjust the canopy screws as necessary until the canopy and canopy cover are snug.

### WARNING

**MA K E S U R E T H E T A B O N T H E H A N G I N G B R A C K E T P R O P E R L Y S I T S I N T H E G R O O V E I N T H E H A N G E R B A L L B E F O R E A T T A C H I N G T H E C A N O P Y T O T H E B R A C K E T B Y T U R N I N G T H E H O U S I N G U N T I L I T D R O P S I N T O P L A C E .**

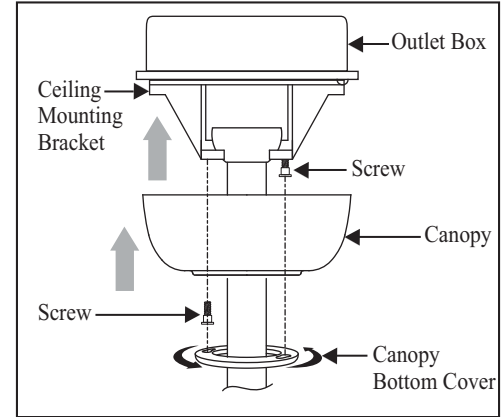


Figure 14

## Attaching the Motor Housing

1. Remove 1 of 3 screws from the mounting ring and loosen the other 2 screws. (Do not remove)
2. Place the key holes on the motor housing over the 2 screws previously loosened from the mounting ring, turn motor housing until it locks in place at the narrow section of the key holes. Secure by tightening the 2 screws previously loosened and the one previously removed. (Fig. 15)

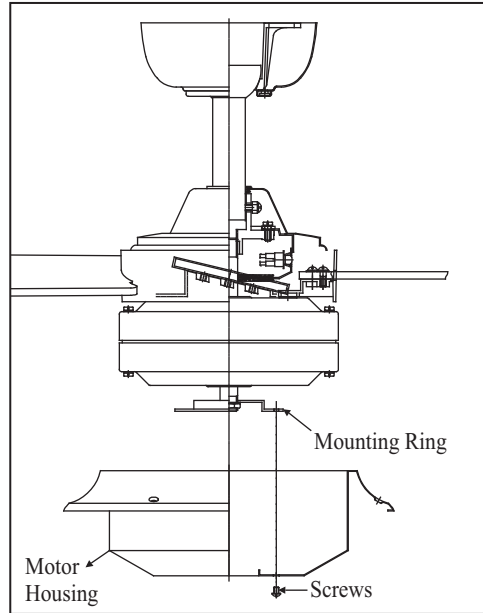


Figure 15

## Installing the Decorative Cover

1. Install the decorative cover to the motor housing with the screws provided. (Fig. 16)

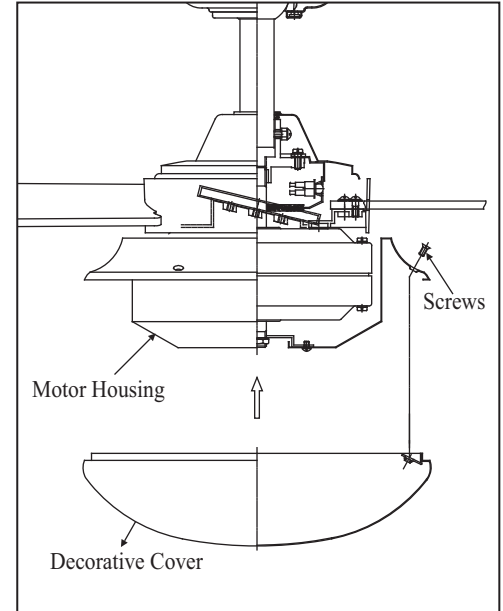


Figure 16

# Operating Your Fan

Restore power to ceiling fan and test for proper operation.

The fan 4-speed control is used to set the fan speed as follows:

- = Turns the fan off
- 1 = High Speed
- 2 = Medium High Speed
- 3 = Medium Speed
- 4 = Low Speed

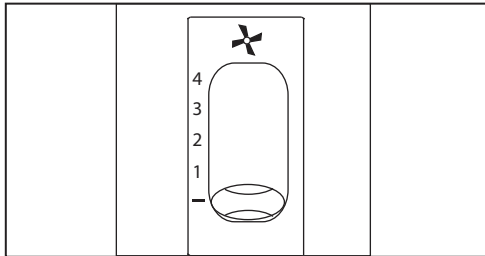


Figure 17

Speed settings for warm or cool weather depend on factors such as the room size, ceiling height, number of fans, etc.

The reverse switch is located on the top motor housing. Slide the switch to the left for warm weather operation. Slide the switch to the right for cool weather operation.

## NOTE

WAIT FOR FAN TO STOP BEFORE CHANGING THE SETTING OF THE SLIDE SWITCH.

**Warm weather** - (Counter-Clockwise direction) A downward air flow creates a cooling effect.(Fig. 18) This allows you to set your air conditioner on a higher setting without affecting your comfort.

**Cool weather** - (Clockwise direction) An upward airflow moves warm air off the ceiling area. (Fig. 19) This allows you to set your heating unit on a lower setting without affecting your comfort.

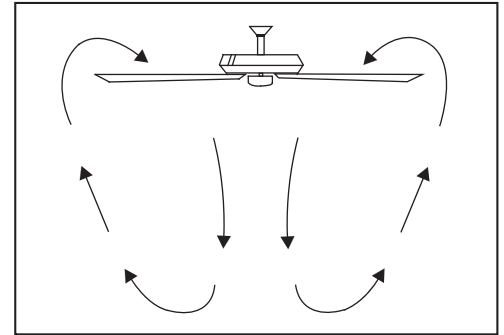


Figure 18

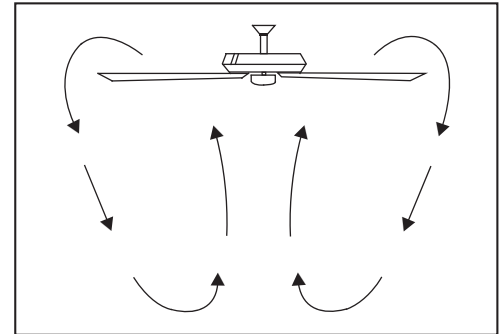


Figure 19

# Care of Your Fan Troubleshooting

Here are some suggestions to help you maintain your fan.

1. Because of the fan's natural movement, some connections may become loose. Check the support connections, brackets, and blade attachments twice a year. Make sure they are secure. (It is not necessary to remove fan from ceiling.)
2. Clean your fan periodically to help maintain its new appearance over the years. Do not use water when cleaning. Use only a soft brush or lint-free cloth to avoid scratching the finish. The plating is sealed with a lacquer to minimize discoloration or tarnishing. Do not use water when cleaning. This could damage the motor, or the wood, or possibly cause an electrical shock.
3. You can apply a light coat of furniture polish to the wood blades for additional protection and enhanced beauty. Cover small scratches with a light application of shoe polish.
4. There is no need to oil your fan. The motor has permanently lubricated sealed ball bearings.

## PROBLEM SOLUTION

Fan will not start

1. Check main and branch circuit fuses or breakers.
2. Check line wire connections to the fan and switch wire connections in the switch housing.
3. Check to make sure the dip switches from the transmitter and receiver are set to the same frequency.

Fan sounds noisy

1. Make sure all motor housing screws are snug.
2. Make sure the screws that attach the fan blade bracket to the motor hub is tight.
3. Make sure wire nut connections are not rattling against each other or the interior wall of the switch housing.
4. Allow a 24-hour "breaking-in" period. Most noises associated with a new fan disappear during this time.
5. If using ceiling fan light kit, make sure the screws securing the glassware are tight. Check that the light bulb is also secure.
6. Make sure there is a short distance from the ceiling to the canopy. It should not touch the ceiling.
7. Make sure your ceiling box is secure and rubber isolator pads are used between mounting bracket and outlet box.

Remote control

1. Do not connect the fan with a wall mounted variable speed control(s).
2. Make sure the dip switches are set correctly.

### **WARNING**

**MAKE SURE THE POWER IS OFF AT THE ELECTRICAL PANEL BOX BEFORE YOU ATTEMPT ANY REPAIRS. REFER TO THE SECTION, "MAKING ELECTRICAL CONNECTIONS".**

# Specifications

FAN SIZE	SPEED	VOLTS	AMPS	WATTS	RPM	CFM	N.W.	G.W.	C.F.
52"	Low	120	0.17	6.92	50	1353.8	7.06 kgs (15.53 lbs)	8.06 kgs (17.73 lbs)	2.07'
	Medium		0.28	17.55	87	2320.79			
	Medium High		0.36	29.79	111	3345.58			
	High		0.50	59.96	157	4811.32			

These are approximate measures. They do not include Amps and Wattage used by the light kit.

# Hampton Bay Lifetime Limited Warranty

## (lifetime warranty on motor)

The Hampton Bay warrants the fan motor to be free from defects in workmanship and material present at time of shipment from the factory for a period of lifetime after the date of purchase by the original purchaser. Hampton Bay also warrants that all other fan parts, excluding any glass or acrylic blades, to be free from defects in workmanship and material at the time of shipment from the factory for a period of one year after the date of purchase by the original purchaser. We agree to correct such defects without charge or at our option replace with a comparable or superior model if the product is returned to Hampton Bay. To obtain warranty service, you must present a copy of the receipt as proof of purchase. All costs of removing and reinstalling the product are your responsibility. Damage to any part such as by accident or misuse or improper installation or by affixing any accessories, is not covered by this warranty. Because of varying climatic conditions this warranty does not cover any changes in brass finish, including rusting, pitting, corroding, tarnishing or peeling. Brass finishes of this type give their longest useful life when protected from varying weather conditions. A certain amount of “wobble” is normal and should not be considered a defect. Servicing performed by unauthorized persons shall render the warranty invalid. There is no other express warranty. Hampton Bay hereby disclaims any and all warranties, including but not limited to. Those of merchantability and fitness for a particular purpose to the extent permitted by law. The duration of any implied warranty which cannot be disclaimed is limited to the time period as specified in the express warranty. Some states do not allow limitation on how long an implied warranty lasts, so the above limitation may not apply to you. The retailer shall not be liable for incidental, consequential, or special damages arising out of or in connection with product use or performance except as may otherwise be accorded by law. Some states do not allow the exclusion of incidental or consequential damages, so the above exclusion or limitation may not apply to you. This warranty gives specific legal rights, and you may also have other rights which vary from state to state. This warranty supersedes all prior warranties. Shipping costs for any return of product as part of a claim on the warranty must be paid by the customer.

### **IMPORTANT NOTE:**

To ensure warranty service if ever needed, please register your fan at:  
[www.tal-usa.com/registration](http://www.tal-usa.com/registration)

You must present a copy of the original purchase receipt to obtain warranty service.

Ceiling Fan Parts & Service Department  
2919 E. Philadelphia Street  
Ontario, CA 91761  
U.S.A.

Attach receipt here for easy location