

The AR1 is a transitional design with gently round surfaces that make it a great choice for today's contemporary kitchens. The clean design uses up-front rotary controls to make operation easy and convenient for any user. The hood includes easy to clean features like a large dishwasher-safe filter, fully integrated light panel and top oriented recirculation louvers. The lighting system is designed to allow for either LED or Halogen bulb up to 50 watts. Four-Way convertibility provides flexible, easy installation.

SIZE	WHITE	BLACK	STAINLESS	GREASE FILTER (replacement)	NON-DUCTED FILTER
30 in.	AR130WW	AR130BL	AR130SS	S99010467	S97021380

PERFORMANCE						
Duct Orientation	Size	Damper	Sones		CFM	
			Normal	High	Normal	High
Vertical - Rectangular	3¼ in. x 10 in.	Included	3.0	6.5	100	200
Horizontal - Rectangular	3¼ in. x 10 in.	Included	2.5	8.0	70	170
Round - Vertical	7-in.	Sold Separately	2.0	7.0	150	220

FEATURES	
Control type	2-speed Rotary switch
Delay off	no
Filter Clean Reminder	no
Heat Sentry™	no
ADA Capable	yes
Lighting	1-level LED OR Halogen (not included)
Grease Filter	Aluminum (Qty. 1)
ENERGY STAR®	no
Recirculation	Non-ducted filter sold separately

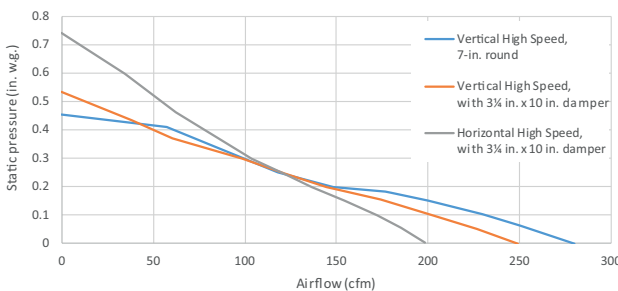
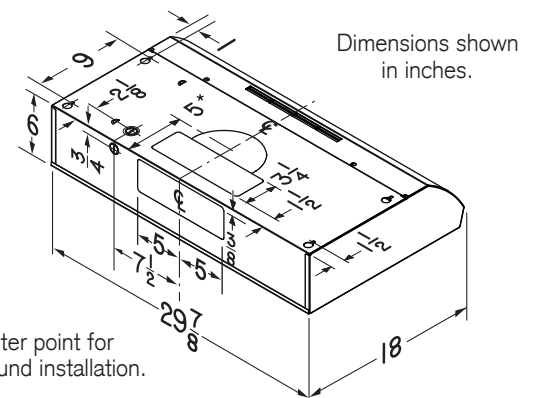
AC INPUT	
120 V, 60 Hz - 1.3 AMPS	

OPTIONAL ACCESSORIES	
7-in. Round Damper	BP87Q
Power Cord Kit	HCK44
3¼ in. x 10 in. to 6 in. Round Duct Transition	411
Make-up Air Dampers	MD6TU, MD8TU and MD10TU

MOUNTING HEIGHT	
20 in. to 25 in. from cooktop to bottom of hood	

LIMITED WARRANTY	
1-year	
<i>See installation manual for full warranty text.</i>	

FOR INDOOR USE ONLY



HVI-2100 CERTIFIED RATINGS comply with new testing technologies and procedures prescribed by the Home Ventilating Institute, for off-the-shelf products, as they are available to consumers. Product performance is rated at 0.1 in. static pressure, based on tests conducted in AMCA's state-of-the-art test laboratory. Sones are a measure of humanly-perceived loudness, based on laboratory measurements.

99046110A