

# Components and description

## Start

### Before you begin:

#### Product Description:

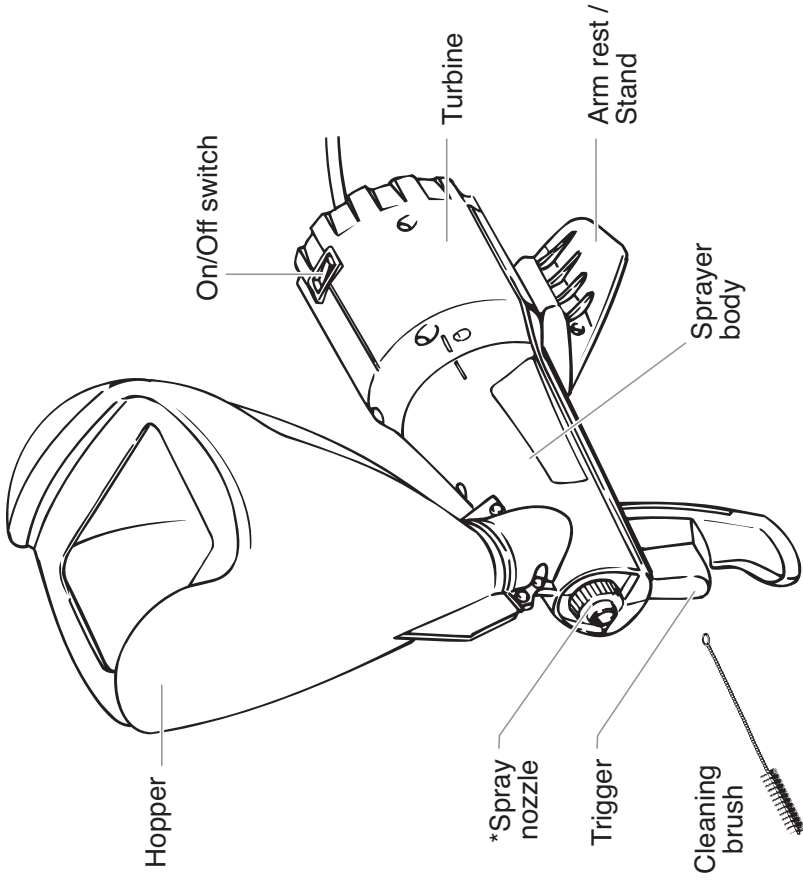
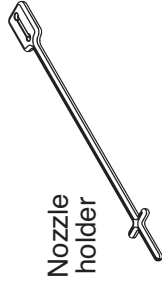
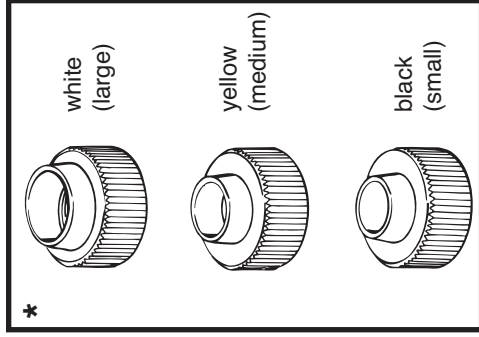
The Power Tex is intended for use for the residential application of water-based textured materials to ceilings, walls, or other surfaces. The Power Tex is an ideal tool for applying textured material to small areas or for repairing damaged sections of knockdown or acoustic texture surfaces.

#### Materials that can be sprayed:

This unit has been designed to be used with 1) aggregated materials such as simulated acoustic ("popcorn") and 2) unaggregated materials such as diluted joint compound for knockdown and orange peel. Make sure to follow all the manufacturer's recommendations and warnings when mixing and using textured materials.

#### Mixing the material:

When mixing the material you are going to spray, follow the manufacturer's directions. It is very important that the material you use is properly mixed. The material should appear creamy, wet, and lump-free, similar to pancake batter (refer to chart on page 5 for variations). DO NOT mix the material inside the hopper. Use a separate container to mix the material. For best results, use an electric drill with a paint-mixer attachment when mixing the material. Make sure the material settles for 15 minutes before using and then mix again thoroughly. To ensure proper consistency, mix enough material to complete the job. Mixing separate batches for one job may give inconsistent results.



#### ON/OFF switch:

The ON/OFF switch turns power to sprayer on and off. (O=OFF, I=ON)

#### Turbine:

The turbine provides air flow that delivers the material from the sprayer.

#### Lock N Go:

This sprayer has been designed with Lock N Go™ technology, allowing for easy cleanup.

#### Trigger:

The trigger controls the delivery of the fluid being pumped. The farther the trigger is pulled, the more material will flow from the nozzle. DO NOT pull the trigger while the turbine is turned OFF (I) and if there is material in the hopper. This may cause material to leak into the turbine.

#### Spray nozzle:

This unit is equipped with three different spray nozzles. The nozzles have different opening sizes (large, medium, small) that determine the volume of material being sprayed.

The bigger the opening, the more material will flow from the nozzle.

#### Hopper:

The hopper can rotate 180° to accommodate a higher spraying angle. The user's free hand may also be placed on the rear of the hopper for increased stability during usage.

#### Arm rest:

The sprayer has been designed to rest comfortably on the user's arm during usage.

#### Nozzle holder:

The nozzle holder can be threaded through the nozzles and then wrapped around the power cord for easy storage.