

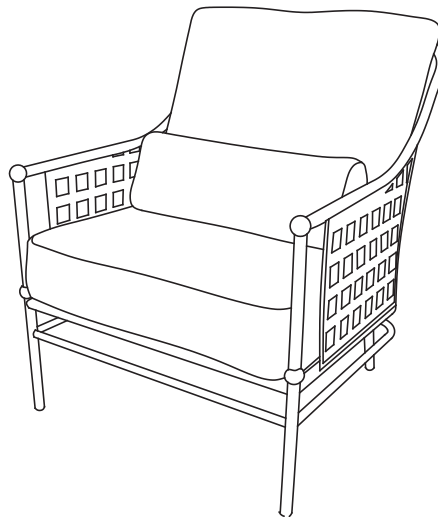


Item #639356  
Model #HD14500

## USE AND CARE GUIDE

---

### 5-PIECE LYNNFIELD CHAT SET ( 4-Piece Chat Chairs )



Questions, problems, missing parts? Before returning to the store,  
call Hampton Bay Customer Service  
8:00 a.m. - 6:00 p.m., EST, Monday-Friday

1-855-HD-HAMPTON

HAMPTONBAY.COM

---

#### THANK YOU

*We appreciate the trust and confidence you have placed in Hampton Bay through the purchase of this chat set. We strive to continually create quality products designed to enhance your home. Visit us online to see our full line of products available for your home improvement needs. Thank you for choosing Hampton Bay!*

# Table of Contents

Table of Contents.....	2	Pre-Assembly.....	3
Safety Information.....	2	Planning Assembly .....	3
Warranty.....	2	Hardware Included.....	3
2 Year Frame and Fabric		Package Contents.....	4
Limited Warranty.....	2	Assembly.....	5
What Is Covered.....	2		
What Is Not Covered.....	2		
Care Instructions.....	2		

# Safety Information



**DANGER:** Please keep children out of the assembly area before assembly.



**WARNING:** Do not put heavy objects on the chair.



**IMPORTANT:** Please check the tightness of the bolts at least every 90 days.

# Warranty

## 2 YEAR FRAME AND FABRIC LIMITED WARRANTY

### WHAT IS COVERED

We warrant the frame to be free of manufacturing defects to the original purchaser for two years and the fabric for two years.

### WHAT IS NOT COVERED

It remains the customer's responsibility for freight and packaging charges to and from our service center. This warranty does not cover commercial use, hardware, acts of nature, fire, freezing and abusive use. In addition, purchased parts are not covered under this warranty. We reserve the right to make substitutions with similar merchandise, if the model in question is no longer in production.

# Care Instructions

Before using, wipe with a clean, dry cloth. Do not use bleach or solvents. Treat the frame with liquid wax for maximum protection against UV light and salty, damp air. When not in use, store furniture in a cool, dry place. If your set includes cushions or mesh fabric, they may be cleaned by hand with a mild solution of soap and water. Rinse cushions thoroughly and allow to drip dry. Do not machine wash or tumble dry, as cushions may shrink. Do not use bleach or solvents on fabrics. When cleaning the tabletop make sure to use a soft, clean cloth that does not bleed color.

You may contact our customer service department with any questions by phone at 1-855-HD-HAMPTON or visit [www.hamptonbay.com](http://www.hamptonbay.com).

# Pre -Assembly

## PLANNING ASSEMBLY

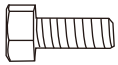
It will take two people about 20 minutes to complete the assembly process.

Assemble this product on a blanket or towel or other soft, non-abrasive surface to avoid scratching the finish.

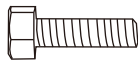
## HARDWARE INCLUDED



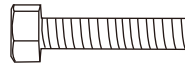
NOTE: Hardware not shown to actual size.



\_\_\_AA



\_\_\_BB



\_\_\_CC



\_\_\_DD



\_\_\_EE

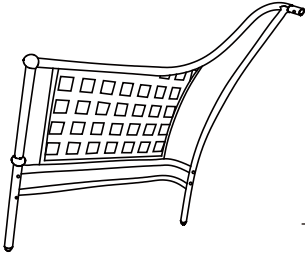


\_\_\_FF

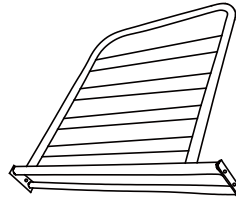
Part	Description	Quantity
AA	Bolt (M6 x 15 mm)	8
BB	Bolt (M6 x 20 mm)	32
CC	Bolt (M6 x 35 mm)	8
DD	Metal Washer	48
EE	Plastic Bolt Cap	48
FF	Hex Wrench	1

# Pre-Assembly (continued)

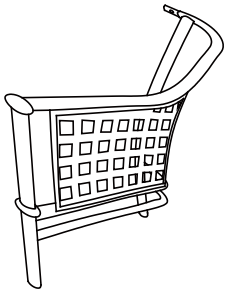
## PACKAGE CONTENTS



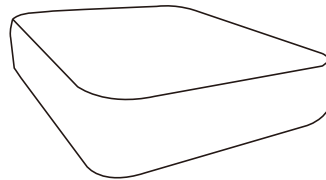
\_\_\_\_\_ **A**



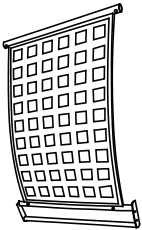
\_\_\_\_\_ **D**



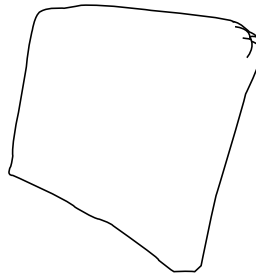
\_\_\_\_\_ **B**



\_\_\_\_\_ **E**



\_\_\_\_\_ **C**



\_\_\_\_\_ **F**

Part	Description	Quantity
A	Chair Arm (Right When Sitting)	4
B	Chair Arm (Left When Sitting)	4
C	Chair Back	4
D	Chair Seat	4
E	Seat Cushion	4
F	Back Cushion	4

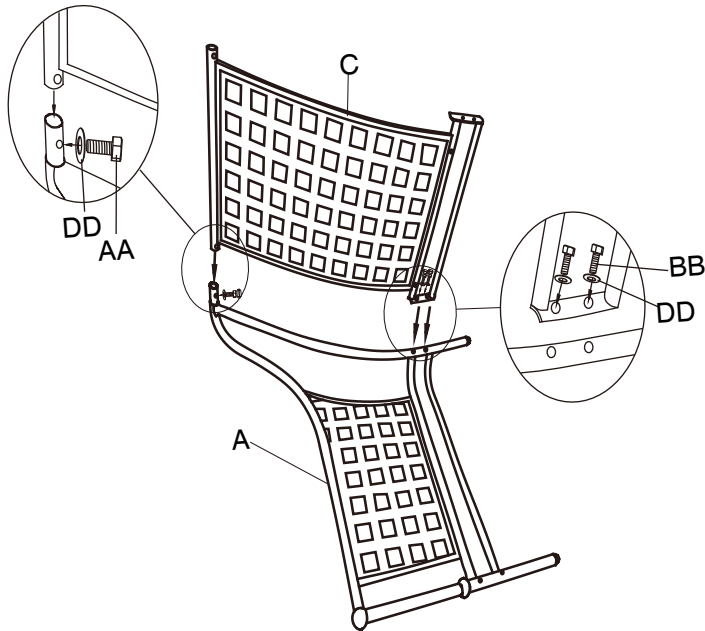
# Assembly

## 1 Attaching the chair back to the right arm

- Place the right chair arm (A) on its side. Align the chair back (C) with the chair arm (A) in both the bottom and top sections. Start with the bottom sections and insert bolts (BB) with metal washers (DD) through each of the 2 holes of the bottom section of the chair back (C) and bottom section of the chair arm (A). Loosely tighten with the hex wrench.
- Continue to work on the top section, and insert bolts (AA) with metal washers (DD) through the single hole at the upper section of the chair back and upper section of the chair arm. Loosely tighten with the hex wrench.



**IMPORTANT:** Do not tighten fully until assembly is completed.

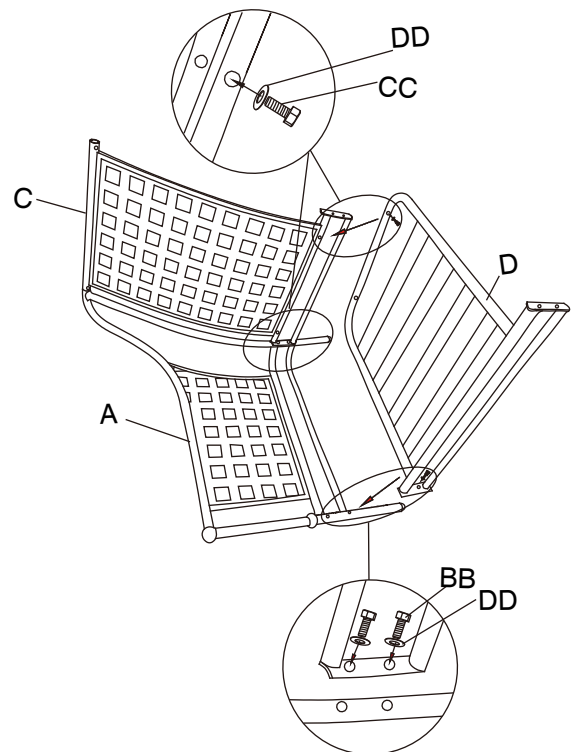


## 2 Assembling the chair seat to the chair back and right arm

- Align the chair seat (D) to the completed frame from Step 1. Attach the rear portion of the chair seat (D) to the bottom section of the chair back (C) and insert bolts (CC) with metal washers (DD) through each of the 2 holes (one on the right-side, and the other on the left-side). Loosely tighten with the hex wrench.
- Insert bolts (BB) with metal washers (DD) through the two holes at the front portion of the chair seat (D) and the lower section of the right chair arm. Loosely tighten with the hex wrench.



**IMPORTANT:** Do not tighten fully until assembly is completed.



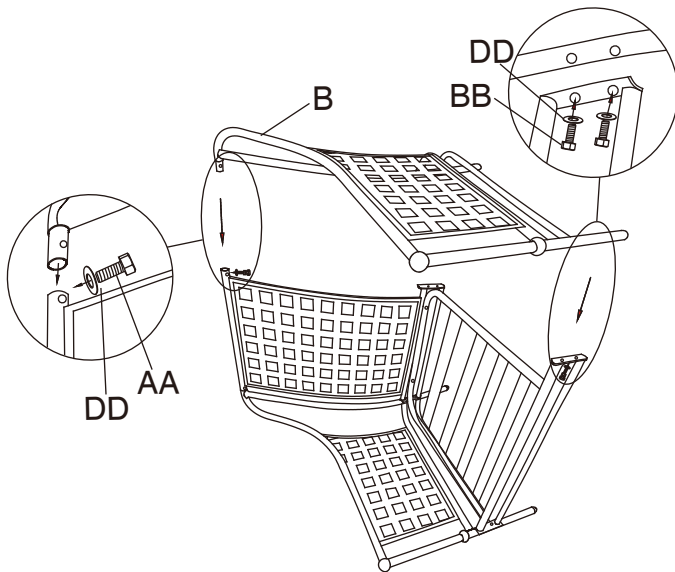
## Assembly (continued)

### 3 Attaching the left arm to the chair back and seat

- Repeat steps 1 and 2 for the left chair arm (B) by attaching in all three places, the top of the chair, rear back of the chair, and the front of the chair.

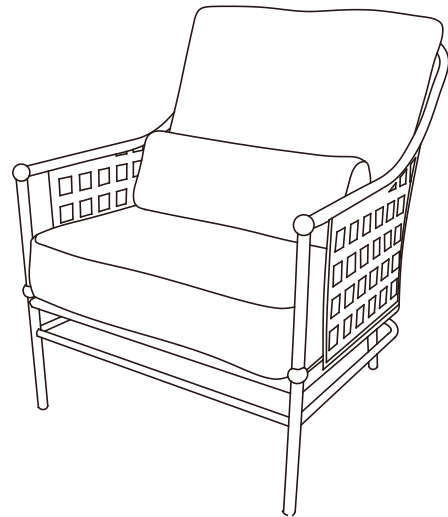


**IMPORTANT:** Do not tighten fully until assembly is completed.



### 4 Tightening the bolts and covering with the bolt caps

- Tighten all the bolts using the hex wrench (FF) and then cover them securely with the plastic bolt caps (EE).
- Turn the chair in the upright position and place the seat cushions onto the chair seat, the back cushions against the chair back, and then the lumbar pillows in place. Your chair is now ready for use, so relax & enjoy!





**Questions, problems, missing parts? Before returning to the store,  
call Hampton Bay Customer Service  
8:00 a.m. - 6:00 p.m., EST, Monday-Friday**

**1-855-HD-HAMPTON**

**HAMPTONBAY.COM**

**Retain this manual for future use.**



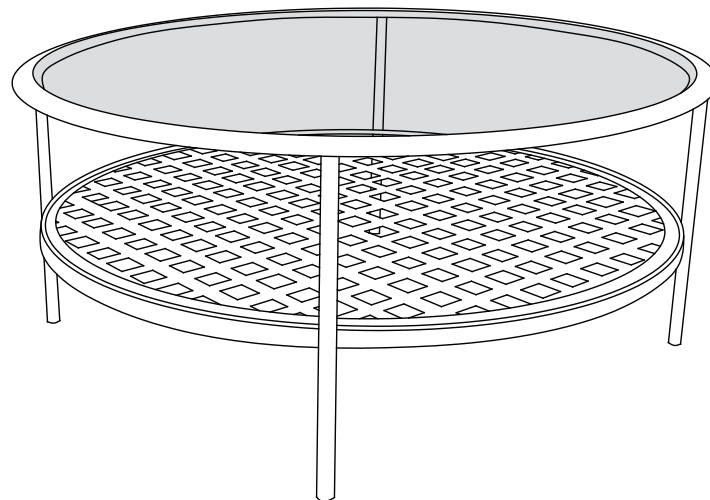
Item #639358  
Model #HD14500

## USE AND CARE GUIDE

---

### 5-PIECE LYNNFIELD CHAT SET

( 40 in. Round Chat Table )



Questions, problems, missing parts? Before returning to the store,  
call Hampton Bay Customer Service  
8:00 a.m. - 6:00 p.m., EST, Monday-Friday

1-855-HD-HAMPTON

HAMPTONBAY.COM

---

#### THANK YOU

*We appreciate the trust and confidence you have placed in Hampton Bay through the purchase of this chat set. We strive to continually create quality products designed to enhance your home. Visit us online to see our full line of products available for your home improvement needs. Thank you for choosing Hampton Bay!*



# Table of Contents

Table of Contents.....	2	Pre-Assembly.....	3
Safety Information.....	2	Planning Assembly.....	3
Warranty.....	2	Hardware Included.....	3
2 Year Frame		Package Contents.....	4
Limited Warranty.....	2	Assembly.....	5
What Is Covered.....	2		
What Is Not Covered.....	2		
Care Instructions .....	2		

# Safety Information



**DANGER:** Please keep children out of the assembly area before assembly.



**CAUTION:** Use the table on flat ground only.



**WARNING:** Do not sit or stand on the table.



**IMPORTANT:** Please check the tightness of the bolts at least every 90 days.



**WARNING:** Do not put heavy objects on the table.



**NOTE:** Level the table with glides at the bottom of each leg.

# Warranty

## 2 YEAR FRAME LIMITED WARRANTY

### WHAT IS COVERED

We warrant the frame to be free of manufacturing defects to the original purchaser for two years.

### WHAT IS NOT COVERED

It remains the customer's responsibility for freight and packaging charges to and from our service center. This warranty does not cover commercial use, hardware, acts of nature, fire, freezing and abusive use. In addition, purchased parts are not covered under this warranty. We reserve the right to make substitutions with similar merchandise, if the model in question is no longer in production.

# Care Instructions

Before using, wipe with a clean, dry cloth. Do not use bleach or solvents. Treat the frame with liquid wax for maximum protection against UV light and salty, damp air. When not in use, store furniture in a cool, dry place. If your set includes cushions or mesh fabric, they may be cleaned by hand with a mild solution of soap and water. Rinse cushions thoroughly and allow to drip dry. Do not machine wash or tumble dry, as cushions may shrink. Do not use bleach or solvents on fabrics. When cleaning the tabletop make sure to use a soft, clean cloth that does not bleed color.

You may contact our customer service department with any questions by phone at 1-855-HD-HAMPTON or visit [www.hamptonbay.com](http://www.hamptonbay.com).

# Pre -Assembly

## PLANNING ASSEMBLY

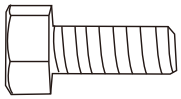
It will take two people about 10 minutes to complete the assembly process.

Assemble this product on a blanket or towel or other soft, non-abrasive surface to avoid scratching the finish.

## HARDWARE INCLUDED



NOTE: Hardware not shown to actual size.



\_\_\_AA



\_\_\_BB



\_\_\_CC

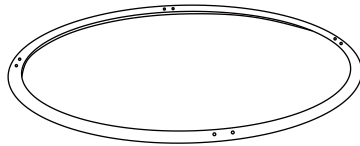


\_\_\_DD

Part	Description	Quantity
AA	Bolt (M6 x 15 mm)	12
BB	Metal Washer	12
CC	Plastic Bolt Cap	12
DD	Hex Wrench	1

# Pre-Assembly (continued)

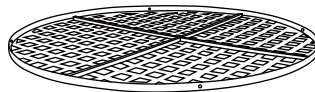
## PACKAGE CONTENTS



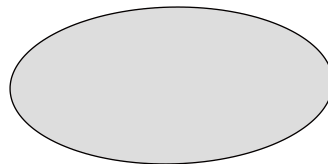
\_\_\_\_\_ **A**



\_\_\_\_\_ **B**



\_\_\_\_\_ **C**



\_\_\_\_\_ **D**

Part	Description	Quantity
A	Table Top Rim	1
B	Table Leg	4
C	Table Shelf	1
D	Glass	1

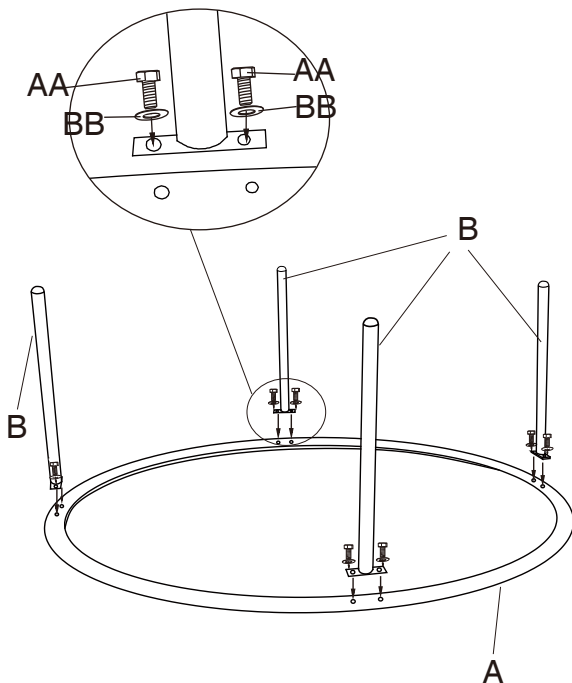
# Assembly

## 1 Attaching the table legs to the table top rim

- Place the table top rim (A) upside down so the pre-drilled corner holes are visible. Next, attach the four table legs (B) to the table rim (A) by inserting the bolts (AA) with metal washers (BB) through the pre-drilled holes. Loosely tighten with the hex wrench (DD).



**IMPORTANT:** Do not tighten completely.

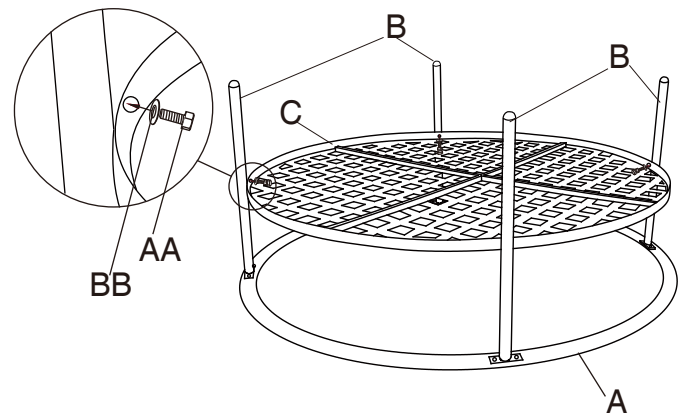


## 2 Assembling the table shelf to the legs

- Attach the table shelf (C) to the four legs (B) by inserting bolts (AA) with metal washers (BB) through the holes on the inside of the legs.

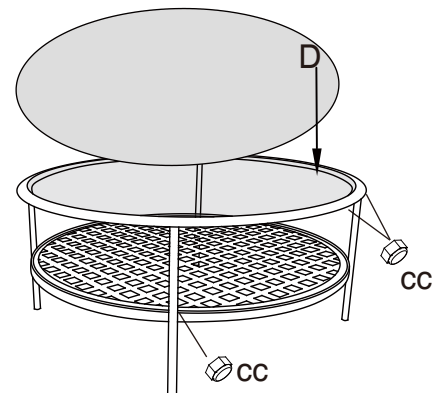


**IMPORTANT:** Each of the four leg bolts should be attached and initially tightened only a few revolutions. Then tighten further, one at a time, alternating between the 4 legs. Do NOT fully tighten one leg before you attach the other legs.



## 3 Assembling the bolt caps and placing the glass top

- Tighten all the bolts using the hex wrench (DD) and then cover them securely with the plastic bolt caps (CC).
- Turn the table in the upright position and with help, carefully place the glass top (D) onto the frame. Your table is now ready for use, so relax & enjoy!





**Questions, problems, missing parts? Before returning to the store,  
call Hampton Bay Customer Service  
8:00 a.m. - 6:00 p.m., EST, Monday-Friday**

**1-855-HD-HAMPTON**

**HAMPTONBAY.COM**

**Retain this manual for future use.**