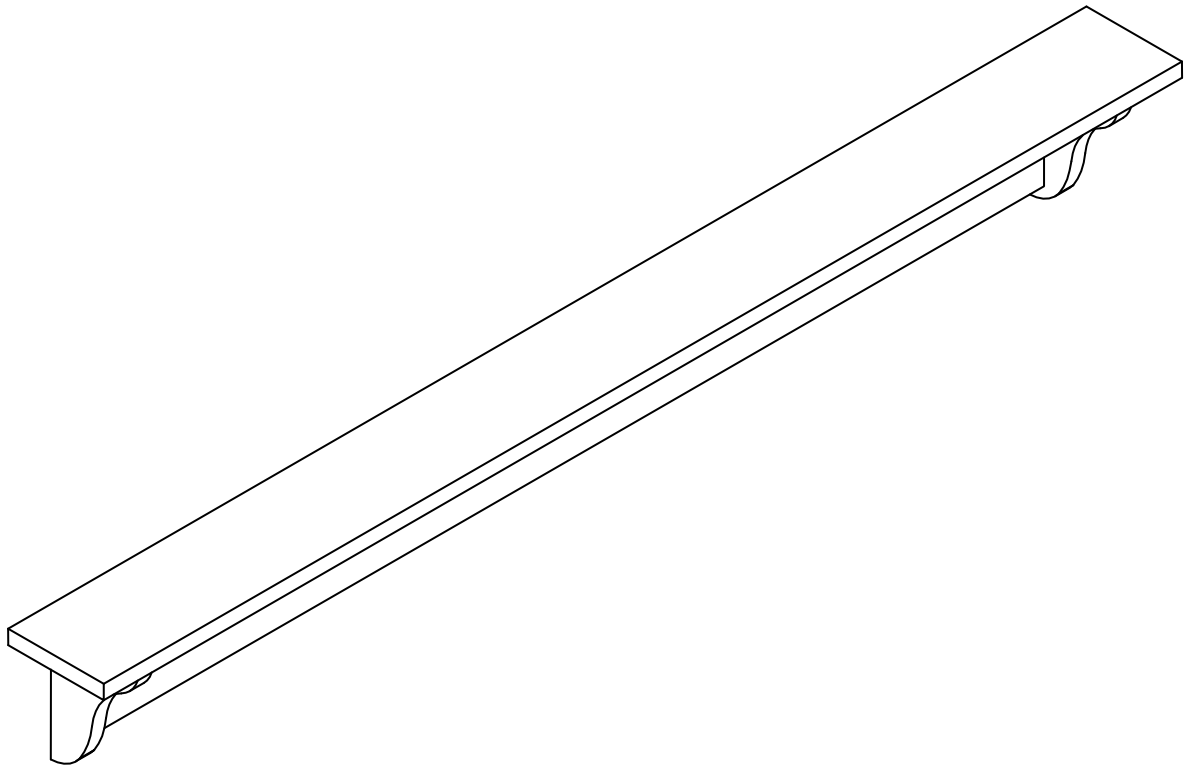


ASSEMBLY INSTRUCTIONS



Description	: 60 IN PLATE SHELF
Item No.	: SH-160

ITEM NO.: SH-160
ISSUED JAN 03, 2018

Printed in Vietnam

BEFORE ASSEMBLY

Thank you for purchasing this quality product. This product has been designed for easy assembly and constructed for durability. All parts were checked prior to packaging to insure quality. Prior to beginning assembly, however, make sure all parts and hardware are included and free of obvious defect. If a part is missing or defective, please contact the store where purchased. If hardware is missing, or you need help with assembly, please call toll free 888-944-8396.

IMPORTANT NOTE:

- Place all wooden parts on a clean and smooth surface such as a rug or carpet to avoid the parts from being scratched.
- Remove all wrapping material, including staples & packing straps before you start to assemble.
- DO NOT tighten all screws and bolts until completely assembled.
- Keep all hardware parts out of reach of children.

WARNING:

- Long exposure to rubber or soft plastic may cause a chemical reaction and damage the finish of your product. Protect the surface of the product with cloth if you are using any product with rubber feet or base.

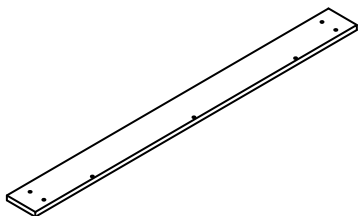

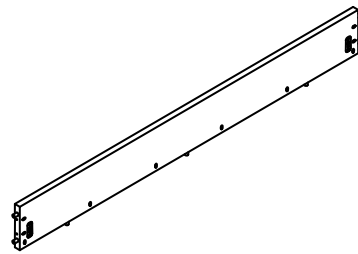
ASSEMBLY TOOLS REQUIRED

NOT INCLUDED



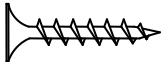
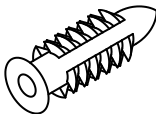
PART LIST

When unpacking, please be careful not to discard any parts with the packaging. Before continuing, please make sure you have the following parts:

NO	Description	Qty	Sketch	NO	Description	Qty	Sketch
A	Top	1		B	Side (L-R)	2	
C	Back	1					

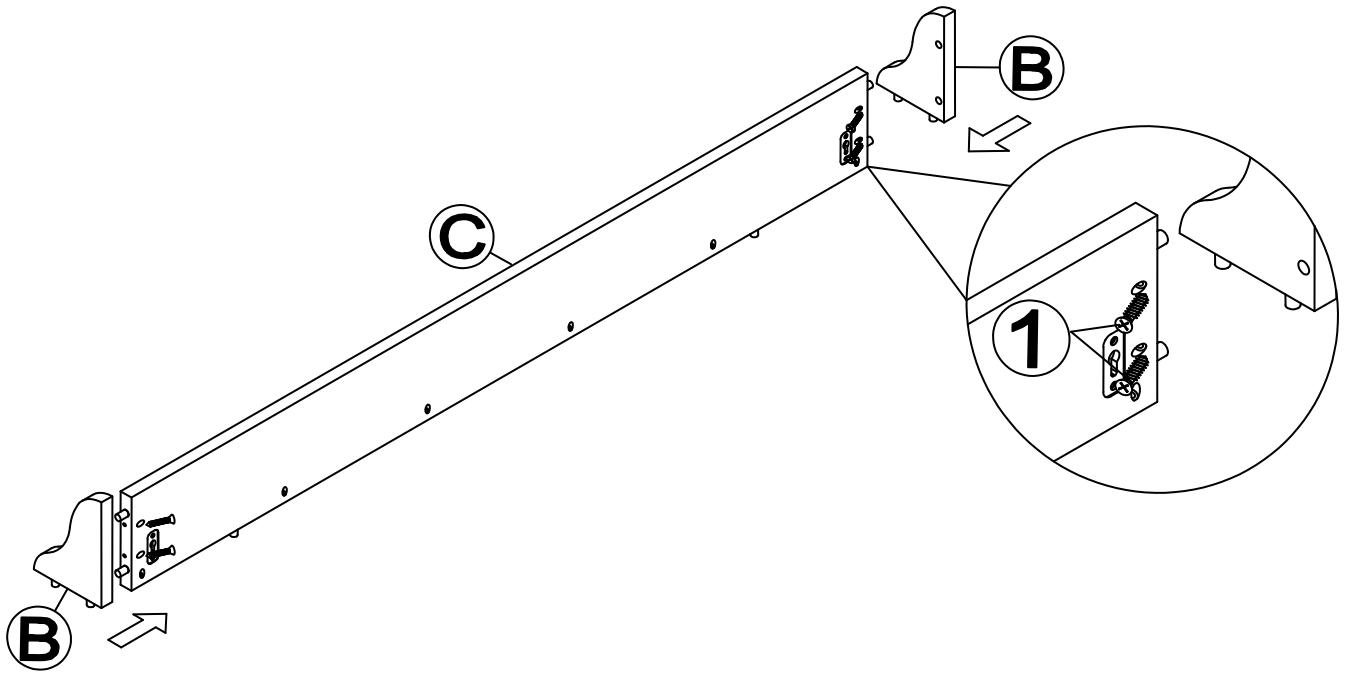
HARDWARE LIST

When unpacking, please be careful not to discard any parts with the packaging. Before continuing, please make sure you have all of the following hardware:

NO	Description	Qty	Sketch	NO	Description	Qty	Sketch
1	Screw (M4 x 35mm)	12		2	Plastic Dowel	2	

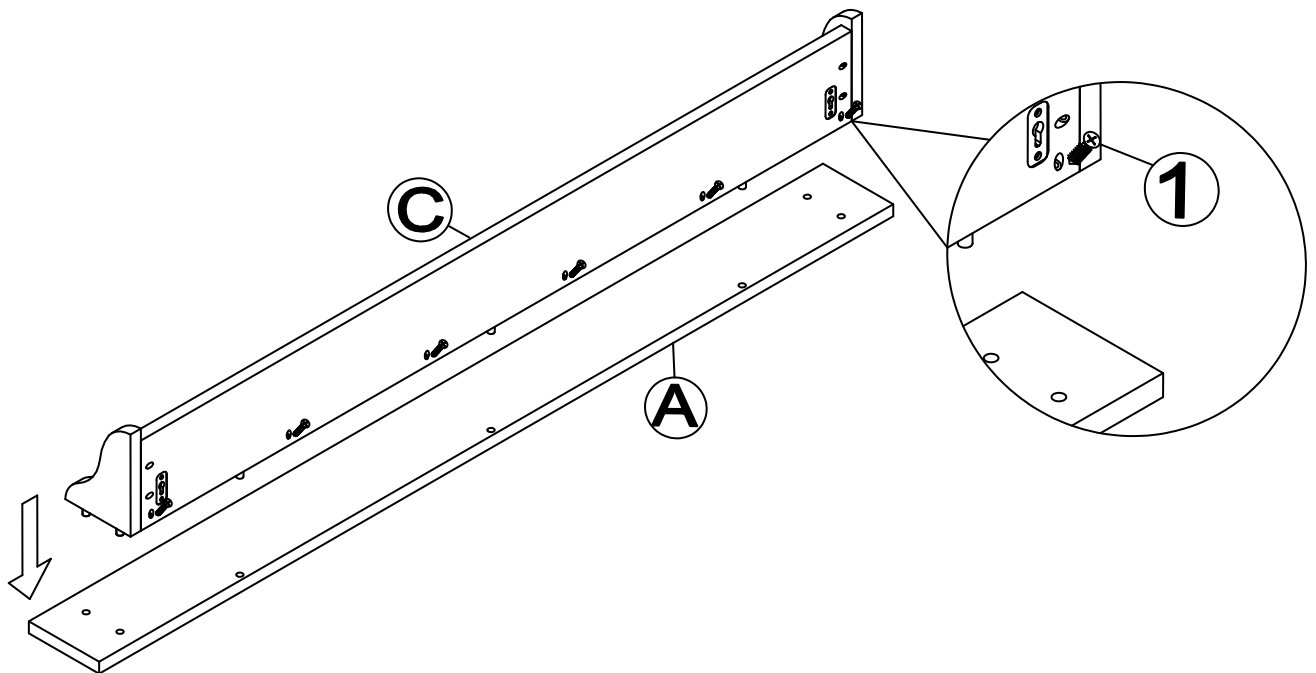
STEP 1

Attach sides (B) to back (C) with screws (1) as shown below. Tighten with a screwdriver.



STEP 2

Attach back (C) to the top (A) with screws (1) as shown below. Tighten with a screwdriver.

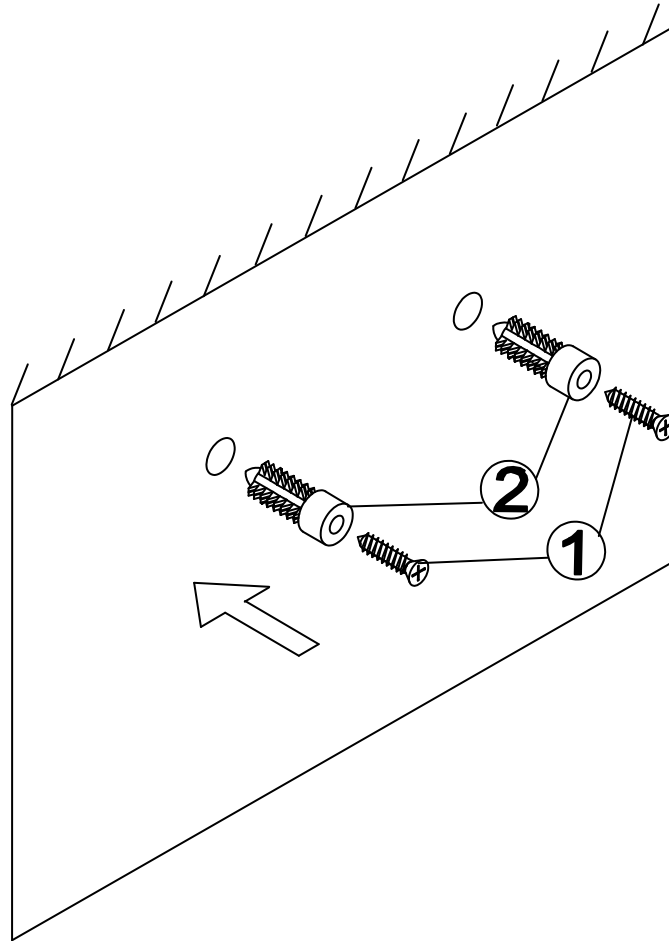


STEP 3

Mark the two center points of the keyholes on the wall with a pencil based on the measurement of the back of the shelf.

Drill two hole(s) into the wood stud(s) located in the wall, where you marked with the pencil.

Insert plastic dowels (2) and screws (1) into the wall as shown below.



STEP 4

Push the shelf onto the screws, then carefully pull the shelf down so that the screw heads slip up into the narrow part of the keyholes to lock the shelf in place.

