

HOLSTEIN
HOUSEWARES



CAKE POP MAKER

MÁQUINA PARA CAKE POPS

THIS MANUAL IS FOR USE WITH ALL
ITEMS WITH THE MODEL NUMBER:
HF-09014

ESTE MANUAL DE USUARIO APLICA
PARA TODOS LOS PRODUCTOS CON
EL NÚMERO DE MODELO:
HF-09014



READ THIS MANUAL BEFORE USING THE PRODUCT AND SAVE FOR FUTURE REFERENCE
LEA ESTE MANUAL ANTES DE USAR EL ARTEFACTO Y GUÁRDELO PARA REFERENCIA

IMPORTANT SAFEGUARDS

WHEN USING ELECTRICAL APPLIANCES, BASIC SAFETY PRECAUTIONS SHOULD ALWAYS BE FOLLOWED TO PREVENT THE RISK OF FIRE, ELECTRIC SHOCK, BURNS, OR OTHER INJURIES OR DAMAGES.

1. Read all instructions before using this appliance.
2. Always unplug the appliance from the electrical outlet before relocating, servicing, or cleaning it.
3. Keep hands and utensils out of the appliance when using. Do not touch hot surfaces. CAUTION: Surface becomes hot during use.
4. Do NOT plug/unplug the appliance into/from the electrical outlet with your hands wet.
5. Do NOT operate the appliance if the power cord is cut, damaged, or if the wires are exposed.
6. Keep the power cord and appliance AWAY from heated surfaces, including stovetops, burners or heated ovens.
7. Do NOT immerse in or expose the base, power cord, or plug to water or any other liquids. NEVER use this appliance near water or wet surfaces.
8. To disconnect the appliance from an electrical outlet, pull directly on the

plug; DO NOT pull on the power cord.

9. Do NOT put any stress on the power cord where it connects to the appliance, as the power cord could fray and break.
10. Do NOT operate the appliance if it malfunctions, or if it is dropped or damaged.
11. This appliance has NO user-serviceable parts. Do NOT attempt to examine or repair this appliance yourself. ONLY qualified and approved service personnel should perform servicing.
12. This appliance is intended for HOUSEHOLD and INTERIOR USE ONLY and cannot be used for any other purpose. This item is NOT a toy.
13. Keep the appliance out of the reach of children and pets. This appliance is NOT intended to be used by children and strict supervision is necessary when used near children.
14. Do NOT leave the appliance unattended while it is in use.
15. Do NOT use any attachments or accessories that are not recommended or sold and approved by the manufacturer for this appliance.
16. Always operate the appliance on a dry, flat, stable, heat-resistant surface to avoid accidents.
17. Do NOT move the appliance while it is in use. Always let it cool before moving.
18. Do NOT let cord hang over the edge of a table or counter.
19. Use an oven mitt when operating the appliance for safety.

WARNING: During the first few minutes of initial use, you may notice a little smoke and/or a slight odor. This is normal and should quickly disappear. It will not recur after appliance has been used a few times.

SAVE THESE INSTRUCTIONS! ADDITIONAL SAFEGUARDS

*DO NOT OPERATE APPLIANCE IF THE
POWER CORD SHOWS ANY DAMAGE OR IF
APPLIANCE WORKS INTERMITTENTLY OR
STOPS WORKING ENTIRELY.*

- **EXTENSION CORDS**

A short power-supply cord is to be provided to reduce the risk resulting from becoming entangled in or tripping over a longer cord. Longer detachable power-supply cords or extension cords are available and may be used if care is exercised in their use. If a longer detachable power-supply cord or extension cord is used:

1. The marked electrical rating of the cord set or extension cord should be at least as great as the electrical rating of the appliance, and
2. The longer cord should be arranged so that it will not drape over the countertop or tabletop where it can be tripped over, snagged, or pulled on unintentionally by children or the user.

- POLARIZED PLUG

This appliance has a polarized plug (one blade is wider than the other). To reduce the risk of electric shock, this plug is intended to fit into a polarized outlet only one way. If plug does not fit fully into the outlet, reverse the plug. If it still does not fit contact a qualified electrician. Do not attempt to modify the plug in any way.

HOW TO OPERATE

BEFORE FIRST USE:

1. Unpack the appliance and all parts. Remove all packaging materials, including any stickers or labels.
2. Read these instructions carefully.
3. Clean the interior surface of the appliance with a damp cloth. Wipe dry with a soft cloth immediately. Do not use abrasive materials. Wipe down the exterior with a soft dry cloth.
4. NEVER IMMERSE APPLIANCE OR CORD IN WATER OR ANY OTHER LIQUID.
5. Position the appliance on a stable, dry, level, heat-resistant surface near an electrical outlet.
6. Unroll the electrical cord.
7. Operate this appliance on a separate outlet and circuit from other appliances to avoid overloading the circuit.

CAUTION: The surfaces of the appliance get hot. To avoid accidental burns, scalping or steam being released while cooking, always manipulate the appliance by using an oven mitt.

FOR HOUSEHOLD USE ONLY

USING THE APPLIANCE:

1. This appliance is intended ONLY for household use.
2. Prepare cake pop mix following the recipe instructions.
3. Release the safety lock and lift the lid to the open position.
4. Coat the non-stick surface with a small amount of vegetable oil. This can be done with a paper towel or with a non-stick cooking oil spray. Wipe off any excess oil. It is recommended to periodically do this after use to maintain the quality of the non-stick coating.
5. Check and confirm the voltage of the appliance is the same as the outlets. Then, plug electrical cord carefully into a separate outlet from other appliances to prevent the circuit from being overloaded.
6. Close the appliance after plugging in, and allow to pre-heat.
7. The red indicator light will turn on as soon as you connect the appliance. The green indicator light will turn on when the appliance reaches the maximum operating temperature. The appliance is ready to cook as soon as the green light turns on. Note: the green indicator light will turn on and off; it does not reflect cooking completion only temperature cycles from min to max.
8. Open the appliance carefully with an oven mitt, grabbing it by the cool touch handle.

9. Pour in the batter into the lower plate; do not overfill as the batter will expand as it cooks.
10. After the cake pops are ready, carefully remove them by using an oven mitt and a heat resistant wood or plastic spatula. **DO NOT** use metal utensils because they will scratch and damage the non-stick coated surface.
11. If cooking more than one batch in a session, after removing the first batch, allow the appliance to cool for 5 minutes before the next batch.
NOTE: DO NOT USE THE APPLIANCE FOR MORE THAN 15 MINUTES NON-STOP.
12. As soon as you are finished cooking, unplug the appliance and allow it to cool down.

CLEANING

Proper maintenance will ensure years of service of your appliance. Clean the appliance after every use following these steps. This appliance contains no user serviceable parts and requires little maintenance.

WARNING: The surfaces of the item will get very hot during use, unplug the appliance and allow cooling before cleaning.

1. Clean the interior and exterior surfaces of the appliance with a damp cloth or sponge. Wipe dry with a soft cloth.
2. To remove dough baked onto the cooking surface, pour a small amount of cooking oil onto the hardened batter. After 5 minutes, carefully wipe with a paper towel or dry cloth.
3. **NEVER USE ABRASIVE CLEANERS OR SCOURING PADS TO CLEAN THE APPLIANCE , AS THOSE MAY DAMAGE THE SURFACES.**

CAUTION:

DO NOT IMMERSE THE APPLIANCE, THE POWER CORD OR THE PLUG INTO WATER OR ANY LIQUIDS.

STORAGE

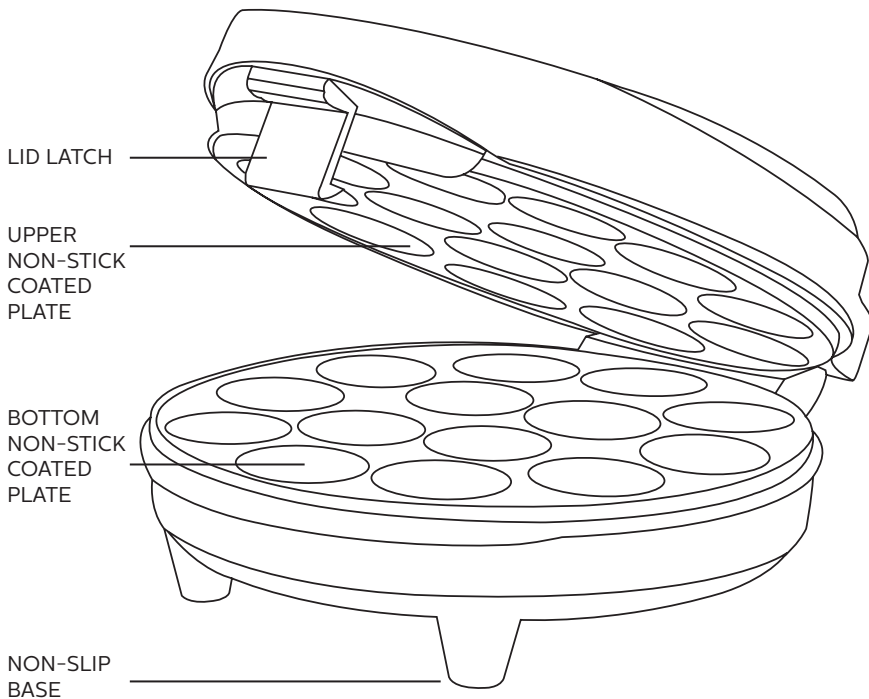
1. After following the steps of cleaning and maintenance, collect the power cord.
2. Store the appliance in a dry and clean place.

SPECIFICATIONS

Before using the appliance, verify that the domestic supply voltage matches that indicated on the appliance.

120V~	60Hz	760W
-------	------	------

PARTS



STEPS TO MAKE CAKE POPS



Coat the non-stick coating with cooking oil spray. Pour in the mixture. Do not overfill.



Close the lid and bake.



Let cool, serve and enjoy!

STEPS

1. Prepare cake pop batter/mix.
2. Plug item, and pre-heat.
3. Open the lid and pour the batter into the lower plate.
4. Close lid.
5. Allow to cook for 7-10 minutes, or until fully cooked.
6. Remove cake pops with wooden, or heat resistant plastic or silicone spatula.
7. Repeat steps 1-6, for subsequent batches.

TIPS

- Use boxed cake batter.
- Do not overfill as the batter will expand as it cooks.

FOR HOUSEHOLD USE ONLY

Holstein's *Recipe Book*

A white tray holds several decorated cake pops. One is light blue with a large blue flower and a white flower. Another is white with pink sprinkles and a purple flower. The text is overlaid on a semi-transparent white box on the left side of the image.

Vanilla Cake Pops
Raspberry Lemon Cake Pops
Chocolate Cake Pops
Red Velvet Cake Pops
Peaches and Cream Cake Pops
Blueberry Cake Pops
Caramel Cake Pops
Shortcake Cake Pops
Coconut Cake Pops
Carrot Cake Pops
Lemon Cake Pops



Vanilla Cake Pops

Ingredients:

- 3/4 cup sugar
- 1 1/2 cups flour
- Pinch of salt
- 1/2 tbsp baking powder
- 1/2 cup melted butter
- 1/2 cup milk
- 1 egg
- 2 tsp vanilla

Steps:

- Stir together dry ingredients, add in butter, milk, egg and vanilla.
- Mix well together.
- Pour into your maker.
- Bake for 7-10 minutes.
- Serve with butter cream frosting.

Note: All recipes make various batches



Raspberry Lemon Cake Pops



Ingredients:

- 1/2 cup butter
- 1 cup 3 tbsp brown sugar
- 1 tbsp lemon zest
- 1 tsp vanilla
- 1 large egg
- 2 1/4 cup flour
- 3/4 tsp baking powder
- 1/4 tsp baking soda
- 1/2 tsp salt
- 1 cup milk
- 3/4 cup heavy cream
- 1 cup raspberries

Steps:

- In a medium bowl beat your butter, 1 cup brown sugar, and lemon zest together.
- Then add the vanilla and egg.
- Slowly add in the flour, baking soda, baking powder, salt and milk. Mix until smooth.
- Pour into your maker.
- Bake for 7-10 minutes.
- Prepare the frosting by whipping the cream, and 3 tbsp brown sugar in a small bowl.
- Then mash your raspberries and add them to your cream.

Note: All recipes make various batches

Chocolate Cake Pops



Ingredients:

- 1 cup flour
- 1 1/2 cups sugar
- 1/3 cup cocoa
- 3/4 cup milk
- 1/3 cup melted butter
- 1 egg
- 1 egg yolk
- 1/2 tsp salt
- 1/2 tsp vanilla
- 1/4 tsp baking powder
- 1/4 cup vegetable oil

Steps:

- Mix together your dry ingredients and then add in your liquids.
- Mix well together.
- Pour into your maker.
- Bake for 7-10 minutes.
- Serve with dark chocolate frosting.

Note: All recipes make various batches

Red Velvet Cake Pops

Ingredients:

- 1/2 tsp vinegar
- 1/2 tsp baking soda
- 1/2 tsp baking powder
- 3/4 cup sugar
- 1 egg
- 1/2 cup vegetable oil
- 1/2 cup buttermilk
- 1 1/2 cups flour
- 1 tbsp red food coloring
- 1/2 cup coffee
- 2 tbsp cocoa
- 1/2 tsp salt
- 1 tsp vanilla extract

Steps:

- Whisk together flour, baking soda, baking powder, cocoa powder and salt.
- Combine the sugar and vegetable oil, then mix in the eggs, buttermilk, vanilla and red food coloring.
- Stir in the coffee and vinegar.
- Pour into your maker.
- Bake for 7-10 minutes.
- Serve with cream cheese frosting.

Note: All recipes make various batches



Peaches & Cream Cake Pops



Ingredients:

- 1 peach peeled and sliced
- 2 tbsp lemon juice
- 1/2 cup butter
- 3/4 cup sugar
- 2 eggs
- 1 1/3 tsp vanilla
- 1 1/2 cup flour
- 1/2 tsp salt
- 1 1/2 tsp cinnamon
- 1 tsp baking powder
- 2 tbsp cream

Steps:

- In a large bowl blend the lemon juice and peach together until pureed.
- Beat in the butter and sugar.
- Add your eggs and vanilla.
- Slowly add your dry ingredients and blend until smooth.
- Pour into your maker.
- Bake for 7-10 minutes.
- Serve with cream and peaches.

Note: All recipes make various batches

Blueberry Cake Pops



Ingredients:

- 1 1/2 cup flour
- 1/2 tsp baking powder
- 1/2 tsp salt
- 1/4 tsp baking soda
- 5 tbsp butter
- 2/3 sugar
- 1 tsp vanilla
- 1 egg
- 1/3 cup buttermilk
- 3/4 cup blueberries

Steps:

- Mix your dry ingredients together in a large bowl.
- Then pour in the remainder excluding the blue berries.
- Mix until smooth.
- Then add in your blueberries.
- Pour into your maker.
- Bake for 7-10 minutes.
- Top with cream and blueberries.

Note: All recipes make various batches

Caramel Cake Pops

Ingredients:

- 2 cups caramel
- 8 tbsp of butter
- 1 cup sugar
- 2 eggs
- 2 cups flour
- 3 tsp baking powder
- 1/2 tsp salt
- 3/4 cup milk
- 1 tsp vanilla extract

Steps:

- Beat the butter and sugar together. Add in the eggs and caramel syrup.
- Mix together the dry ingredients and add into your egg mixture.
- Pour into your maker.
- Bake for 7-10 minutes.
- Serve with butter cream frosting.

Note: All recipes make various batches



Shortcake Cake Pops



Ingredients:

- 4 tbsp of butter (softened)
- 1/2 cup flour
- 1 tsp vanilla extract
- 1 egg
- 2 tsp sugar
- 1/2 cup milk

Steps:

- Mix all you ingredients in a large bowl together.
- Pour into your maker.
- Bake for 7-10 minutes.
- Serve with whipped cream and strawberries.

Note: All recipes make various batches

Coconut Cake Pops



Ingredients:

- 1 whole yellow cake box
- 2 cups sour cream
- 1 tsp vanilla extract
- 5 cups shredded coconut
- 1 cup powder sugar

Steps:

- Prepare the yellow cake recipe.
- Pour into your maker.
- Bake for 7-10 minutes.
- In a bowl mix sour cream, vanilla and coconut together. Add sugar and mix thoroughly.
- Spread the coconut mixture over the yellow cake.

Note: All recipes make various batches

Carrot Cake Pops



Ingredients:

- 2 eggs
- 1/2 cup oil
- 1 cup sugar
- 1 tsp vanilla
- 1 cup flour
- 1 tsp baking soda
- 1 tsp baking powder
- 1 pinch of salt
- 1 tsp cinnamon
- 3 cups grated carrots
- 1 cup chopped pecans

Steps:

- Mix together well your ingredients, then add in the pecans and carrots.
- Pour into your maker.
- Bake for 7-10 minutes.
- Serve with butter cream frosting.

Note: All recipes make various batches

Lemon Cake Pops



Ingredients:

- 8 tbsp butter (softened)
- 2 cups sugar
- 3 eggs
- 2 cups flour
- 1/2 tsp baking soda
- 1/2 tsp salt
- 1 cup buttermilk
- 1 tbsp lemon zest
- 2 tbsp lemon juice

Steps:

- Beat butter and sugar together until fluffy. Add in eggs.
- Mix together flour, baking soda and salt. Stir into egg mixture and add the butter milk.
- Add the lemon juice and zest.
- Pour into your maker.
- Bake for 7-10 minutes.
- Serve with butter cream frosting.

Note: All recipes make various batches

IMPORTANTES INSTRUCCIONES DE SEGURIDAD

AL USAR ARTEFACTOS ELÉCTRICOS, SIEMPRE DEBEN TOMARSE PRECAUCIONES BÁSICAS DE SEGURIDAD PARA EVITAR EL RIESGO DE INCENDIO, CHOQUE ELÉCTRICO, QUEMADURAS U OTRAS LESIONES O DAÑOS.

1. Lea todas las instrucciones antes de usar este artefacto.
2. Siempre desenchufe el artefacto del tomacorriente antes de mover o limpiar.
3. Mantenga las manos y utensilios fuera del artefacto cuando se utilice. ATENCIÓN: La superficie se calienta durante su uso. No toque las superficies calientes.
4. NO conectar / desconectar el artefacto del tomacorriente con las manos mojadas.
5. NO utilice el artefacto si el cordón eléctrico está roto, dañado, o si los cables están expuestos.
6. Mantenga el cordón eléctrico y el artefacto alejado de superficies calientes, incluyendo estufas y hornos.
7. NO sumerja el artefacto, cordón eléctrico o el enchufe en agua u otros líquidos. NUNCA use este artefacto cerca del agua o superficies mojadas.

8. Para desconectar el artefacto del tomacorriente, tire directamente del enchufe, NO tire del cordón eléctrico.
9. NO ponga presión sobre el cordón eléctrico donde se conecta al artefacto, ya que el cordón eléctrico podría romperse.
10. NO utilice el artefacto si funciona mal, o si se ha caído o dañado.
11. Este artefacto no tiene piezas que el usuario pueda reparar. No trate de examinar o reparar este artefacto usted mismo. Sólo personal calificado y aprobado debe realizar cualquier tipo de servicio.
12. Este artefacto está diseñado sólo para uso doméstico y uso en interiores y no puede ser utilizado para ningún otro propósito. Este artefacto no es un juguete.
13. Mantenga el artefacto fuera del alcance de niños y mascotas. Este artefacto no está destinado a ser utilizado por niños y una estricta supervisión es necesaria cuando se utiliza cerca de niños.
14. NO deje el artefacto desatendido mientras está en uso.
15. NO utilice ningún accesorio que no está recomendado o vendido y aprobado por el fabricante de este artefacto.
16. Siempre opere el artefacto en un lugar seco, plano, estable, y resistente al calor para evitar accidentes.
17. NO se debe mover el artefacto mientras está en uso. Siempre deje que se enfríe antes de moverlo.
18. NO permita que el cordón eléctrico cuelgue del borde de una mesa o mostrador.
19. Utilice un guante de cocina al manipular el producto por su seguridad y evitar quemaduras.

PRECAUCIÓN: Durante los primeros minutos de uso inicial, usted puede notar un poco de humo y/o un olor del artefacto. Esto es normal y desaparecerá. No va a reaparecer después de que el artefacto se haya utilizado un par de veces.

¡CONSERVE ESTAS INSTRUCCIONES! INSTRUCCIONES DE SEGURIDAD ADICIONALES

NO USE EL ARTEFACTO SI EL CORDÓN ELÉCTRICO MUESTRA CUALQUIER TIPO DE DAÑO O SI EL ARTEFACTO FUNCIONA INTERMITENTEMENTE O DEJA DE FUNCIONAR POR COMPLETO.

- **CABLES DE EXTENSIÓN**

Se provee un cordón eléctrico corto para reducir el riesgo de enredarse o tropezar con un cable/cordón largo. Pueden usarse cables de extensión más largos si se toman las precauciones necesarias en su uso. Si se usa cable de extensión:

1. Las características eléctricas del cable de extensión deben ser iguales o superiores a las del artefacto.

2. El cable debe colocarse de forma que no cuelgue para evitar que se pueda tropezar, enredarse o tirar de él accidentalmente (especialmente por niños).

- ENCHUFE POLARIZADO

Este electrodoméstico tiene un enchufe polarizado (una pata del enchufe es más ancha que la otra). Para reducir el riesgo de descarga eléctrica, este enchufe está diseñado para entrar de un sólo modo en la toma eléctrica. Si el enchufe no entra totalmente en la toma de corriente, invierta su posición. Si aún así no entrase, póngase en contacto con un electricista calificado. No intente modificar el enchufe de ninguna manera.

FUNCIONAMIENTO

ANTES DEL PRIMER USO:

1. Desempaque cuidadosamente el artefacto y todas las partes. Retire todos los materiales de embalaje, incluyendo las pegatinas (las etiquetas).
2. Lea las instrucciones de uso cuidadosamente.
3. Limpie las superficies interiores y exteriores del artefacto con un paño húmedo. Luego, seque con un paño suave de inmediato. No use materiales abrasivos.
4. **NUNCA SUMERJA EL ARTEFACTO O EL CABLE EN AGUA U OTROS LÍQUIDOS.**
5. Coloque el artefacto en un lugar estable, seco, y resistente al calor.
6. Desenrolle el cordón eléctrico.
7. Utilice este artefacto en un toma de corriente y circuito separado de otros aparatos para evitar la sobrecarga del circuito.

PRECAUCIÓN: Las superficies del artefacto se calientan. Siempre manipule el artefacto utilizando un guante de cocina para evitar quemaduras.

SOLO PARA USO DOMESTICO

INSTRUCCIONES DE USO:

1. Este artefacto está diseñado sólo para uso doméstico.
2. Prepare la mezcla para cake pops siguiendo la receta seleccionada.
3. Suelte el cierre de seguridad y levante la tapa a la posición abierta.
4. Cubra la superficie antiadherente con una pequeña cantidad de aceite vegetal. Esto puede hacerse con una toalla de papel o con un spray de aceite para cocinar. Limpie el exceso de aceite. Se recomienda hacer periódicamente este paso después de su uso para mantener la calidad de la capa antiadherente.
5. Verifique y confirme que la tensión del artefacto sea la misma que el circuito de la red domestica. A continuación, conecte el cordón eléctrico al tomacorriente con cuidado. Asegúrese de que sea un tomacorriente separado de otros artefactos para evitar que el circuito se sobrecargue.
6. Cierre el producto y deje pre-calentar.
7. La luz indicadora roja se encenderá al conectar el artefacto. La luz indicadora verde se encenderá tan pronto como el artefacto alcance la temperatura máxima de funcionamiento. El artefacto estará listo para usar cuando la luz verde se enciende. Nota: la luz indicadora verde se encenderá y se apagará durante el uso, más no refleja las condiciones de cocción de los cake pops, solo los ciclos de temperatura de min. a max.

8. Abra el producto con cuidado de no quemarse, y proceda a colocar los ingredientes dentro del producto.
9. Vierta la mezcla de cake pops dentro de las hormas de cake pops en la placa de abajo, asegúrese de no sobrellenar ya que la mezcla tiende a expandirse durante el proceso de cocción.
10. Cierre la tapa y deja cocinar durante unos 7-10 minutos, ó hasta que esté completamente cocido.
11. Después de que los cake pops estén listos, retire usando un guante de cocina y un utensilio de madera o plástico resistente al calor. No use utensilios de metal, porque pueden rayar y dañar la superficie antiadherente.
12. Si cocina más de un lote, después de retirar el primer lote, deje que el artefacto se enfríe por unos 5 minutos, luego coloque el lote siguiente.
NOTA: NO USE EL ARTEFACTO POR MAS DE 15 MINUTOS CONSECUTIVOS.
13. Tan pronto haya terminado de utilizar el artefacto, desconéctelo y deje enfriar.

LIMPIEZA Y MANTENIMIENTO

El mantenimiento adecuado asegurará muchos años con su artefacto. Limpie el artefacto después de cada uso. Este artefacto no contiene piezas reparables por el usuario y requiere poco mantenimiento.

ADVERTENCIA: Las superficies del artefacto están extremadamente calientes debido al uso, desenchufe el artefacto y permita que se enfríe antes de limpiar.

1. Limpie las superficies interiores y exteriores del artefacto con un paño húmedo o una esponja suave. Secar con un paño suave. No use materiales abrasivos o metálicos.
2. Para quitar la mezcla/masa dura sobre la capa antiadherente del artefacto, vierta una pequeña cantidad de aceite de cocina en la masa endurecida. Después de 5 minutos limpiar cuidadosamente con una toalla de papel o un paño seco.
3. Nunca use químicos o esponjas abrasivas para limpiar el artefacto, estas pueden dañar la capa antiadherente.

PRECAUCIÓN:
**NO SUMERJA EL ARTEFACTO, EL CABLE O
EL ENCHUFE EN AGUA U OTROS LÍQUIDOS.**

ALMACENAJE

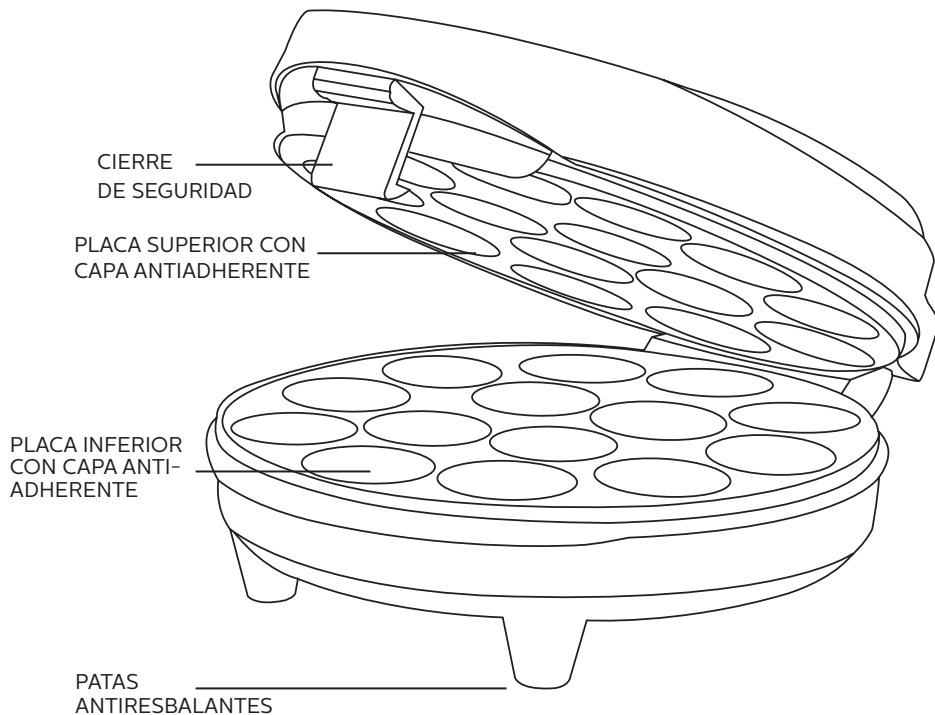
1. Luego de seguir los pasos de limpieza y mantenimiento, recoja el cordón eléctrico.
2. Guarde el artefacto en un lugar seco y limpio.

ESPECIFICACIONES

Antes de utilizar el artefacto, verifique que el voltaje de la red doméstica corresponda con la indicada en el artefacto.

120V~	60Hz	760W
-------	------	------

PARTES



PASOS PARA HACER CAKE POPS



1

Cubra la capa antiadherente con una pequeña cantidad de aceite vegetal. Vierta la mezcla en cada figura, asegurándose de no sobrellenar.



2

Cierre la tapa y cocine.



3

¡Deje enfriar, sirva y disfrute!

PASOS

1. Prepare la mezcla para cake pop.
2. Enchufe el artefacto y pre-caliente.
3. Abra la tapa y vierta la mezcla sobre la horma de cake pop en la placa inferior.
4. Baje la tapa del artefacto, y cierre el broche de seguridad.
5. Deje cocinar de 7-10 minutos, o hasta que este completamente cocido.
6. Retire los cake pops con una espátula de madera, plástico o silicona resistente al calor.
7. Repita pasos del 1-6, para las siguientes tandas de cake pops.

RECOMENDACIONES

- Use mezcla de torta de caja ya preparada.
- No sobrellene ya que la mezcla se expande durante la cocción.

SÓLO PARA USO DOMÉSTICO

Holstein

Libro de recetas



Cake Pops de Vainilla
Cake Pops de Frambuesa y Limón
Cake Pops de Chocolate
Cake Pops de Red Velvet
Cake Pops de Melocotón y Crema
Cake Pops de Arandano
Cake Pops de Caramelo
Cake Pops de Fresa
Cake Pops de Coco
Cake Pops de Zanahoria
Cake Pops de Limón



cake pops de Vainilla

Ingredientes:

- 3/4 taza de azúcar
- 1 1/2 taza de harina
- Una pizca de sal
- 1/2 cucharada de polvo para hornear
- 1/2 taza de mantequilla derretida
- 1/2 taza de leche
- 1 huevo
- 2 cucharadita de vainilla

Pasos:

- Mezcle los ingredientes secos, agregar la mantequilla, la leche, el huevo y la vainilla.
- Mezclar bien juntos.
- Vierta la mezcla en su máquina.
- Hornear durante 7-10 minutos.
- Servir con crema de mantequilla glaseado.

Nota: Todas las recetas hacen más de un lote



cake pops de frambuesa y limón



Ingredientes:

- 1/2 taza de mantequilla
- 1 taza de azúcar morena
- 1 cucharada de ralladura de limón
- 1 cucharadita de vainilla
- 1 huevo grande
- 2 1/4 taza de harina
- 3/4 cucharadita de polvo de hornear
- 1/4 cucharadita de bicarbonato de sodio
- 1/2 cucharadita de sal
- 1 taza de leche
- 3/4 de taza de crema de leche
- 1 taza de frambuesas

Pasos:

- En un tazón batir la mantequilla, el azúcar y la ralladura de limón.
- Añadir la vainilla y el huevo.
- Poco a poco agregue la harina, el bicarbonato de sodio, polvo de hornear, la sal y la leche. Mezcle hasta que quede suave.
- Vierta la mezcla en su máquina.
- Hornear durante 7-10 minutos.
- Preparar el glaseado batiendo la crema, y 3 cucharadas de azúcar moreno en un tazón pequeño.
- Luego triturar sus frambuesas y añadirlos a su crema.

Nota: Todas las recetas hacen más de un lote

Cake Pops de Chocolate



Ingredientes:

- 1 taza de harina
- 1 1/2 taza de azúcar
- 1/3 de taza de cacao
- 1 huevos
- 1 yema de huevo
- 1/3 taza de mantequilla blanda
- 1/2 cucharadita de sal
- 1/4 cucharadita de polvo para hornear
- 1/2 cucharadita de vainilla

Pasos:

- Mezcle los ingredientes secos y luego añadir los líquidos.
- Mezclar bien juntos.
- Vierta la mezcla en su máquina.
- Hornear durante 7-10 minutos.
- Sirva con glaseado de chocolate negro.

Nota: Todas las recetas hacen más de un lote

Cake Pops de Red Velvet

Ingredientes:

- 2 tazas de harina
- 1/2 cucharadita de bicarbonato de sodio
- 1/2 cucharadita de polvo para hornear
- 1/2 cucharadita de sal
- 2 cucharadas de cacao en polvo
- 3/4 taza de azúcar
- 1/2 taza de aceite vegetal
- 1 huevo
- 1/2 taza de suero de leche
- 1 cucharadita de extracto de vainilla
- 1 cucharadita de colorante de alimentos rojo
- 1/2 cucharadita de vinagre blanco destilado
- 1/2 taza de café caliente

Pasos:

- Mezcle la harina, el bicarbonato de sodio, polvo de hornear, el cacao en polvo y la sal.
- Combine el azúcar y el aceite vegetal, luego se mezcla en los huevos, la mantequilla, la vainilla y el colorante para alimentos rojo.
- Agregue el café y el vinagre.
- Vierta la mezcla en su máquina.
- Hornear durante 7-10 minutos.
- Sirva con glaseado de queso crema.

Nota: Todas las recetas hacen más de un lote



cake pops de Melocotón



Ingredientes:

- 1 melocotón pelado y en rodajas
- 2 cucharadas de jugo de limón
- 1/2 taza de mantequilla
- 3/4 taza de azúcar
- 2 huevos
- 1 1/3 cucharadita de vainilla
- 1 1/2 taza de harina
- 1/2 cucharadita de sal
- 1 1/2 cucharadita de canela
- 1 cucharadita de polvo para hornear
- 2 cucharadas de crema

Pasos:

- En un bol mezcle el jugo de limón y melocotón hasta hacerlos puré.
- Batir la mantequilla y el azúcar.
- Añadir los huevos y la vainilla.
- Poco a poco agregue los ingredientes secos. Mezcle hasta que quede suave.
- Vierta la mezcla en su máquina.
- Hornear durante 7-10 minutos.
- Servir con crema y melocotones.

Nota: Todas las recetas hacen más de un lote

Cake Pops de Arándano



Ingredientes:

- 1 1/2 taza de harina
- 1/2 cucharadita de polvo de hornear
- 1/2 cucharadita de sal
- 1/4 cucharadita de bicarbonato de sodio
- 5 cucharadas de mantequilla
- 2/3 de azúcar
- 1 cucharadita de vainilla
- 1 huevo
- 1/3 taza de suero
- 3/4 de taza de arándanos

Pasos:

- Mezcle los ingredientes secos en un tazón grande.
- A continuación, vierta en el resto los arándanos.
- Mezcle hasta que quede suave.
- Luego incluya sus arándanos.
- Vierta la mezcla en su máquina.
- Hornear durante 7-10 minutos.
- Cubrir con la crema y arándanos

Nota: Todas las recetas hacen más de un lote

cake pops de Caramelo

Ingredientes:

- 2 tazas de caramelo
- 1/2 taza de mantequilla
- 1 taza de azúcar
- 2 huevos
- 2 tazas de harina
- 3 cucharaditas de polvo para hornear
- 1/2 cucharadita de sal
- 3/4 de taza de leche
- 1 cucharadita de extracto de vainilla

Pasos:

- Batir la mantequilla y el azúcar. Añadir los huevos y jarabe de caramelo.
- Mezcle los ingredientes secos y añadir a su mezcla de huevo.
- Vierta la mezcla en su máquina.
- Hornear durante 7-10 minutos.
- Servir con crema de mantequilla glaseado.

Nota: Todas las recetas hacen más de un lote



cake pops de Fresa



Ingredientes:

- 1/2 barra de mantequilla (derretida)
- 1/2 taza de harina
- 1 cucharadita de extracto de vainilla
- 1 huevo
- 2 cucharadita azucar
- 1/2 taza de leche

Pasos:

- Mezclar todos ustedes ingredientes en un tazón grande.
- Vierta la mezcla en su máquina.
- Hornear durante 7-10 minutos.
- Servir con crema batida y fresas.

Nota: Todas las recetas hacen más de un lote

Cake Pops de Coco



Ingredientes:

- 1 caja de mezcla para pastel amarillo
- 2 tazas de crema agria
- 1 cucharadita de extracto de vainilla
- 5 tazas de coco rallado
- 1 taza azúcar en polvo

Pasos:

- Prepare la mezcla de la caja para pasteles.
- Vierta la mezcla en su máquina.
- Hornear durante 7-10 minutos.
- En un tazón mezcle la crema agria, la vainilla y el coco juntos. Añadir el azúcar y mezclar bien.
- Extienda la mezcla de coco sobre el cake pop.

Nota: Todas las recetas hacen más de un lote

Cake Pops de Zanahoria



Ingredientes:

- 2 huevos
- 1/2 taza de aceite
- 1 taza de azúcar
- 1 cucharadita de vainilla
- 1 taza de harina
- 1 cucharadita de baking soda
- 1 cucharadita de polvo de hornear
- 1 pizca de sal
- 1 cucharadita de canela
- 3 tazas de zanahoria rallada
- 1 taza de nueces picadas

Pasos:

- Mezcle bien los ingredientes, luego agregue las nueces y las zanahorias.
- Vierta la mezcla en su máquina.
- Hornear durante 7-10 minutos.
- Servir con glaseado de crema de mantequilla.

Nota: Todas las recetas hacen más de un lote

cake pops de Limón



Ingredientes:

- 1/2 taza de matequilla derretida
- 2 tazas de azúcar
- 3 huevos
- 2 tazas de harina
- 1/2 cucharadita de baking soda
- 1/2 cucharadita de sal
- 1 taza de leche
- 1 cucharadita de ralladura de limón
- 2 cucharadas de jugo de limón

Pasos:

- Mezclar todos ustedes ingredientes en un tazón grande juntos.
- Vierta la mezcla en su máquina.
- Hornear durante 7-10 minutos.
- Servir con crema batida y fresas.

Nota: Todas las recetas hacen más de un lote







WARNING
ELECTRIC SHOCK
ADVERTENCIA
CHOQUE ELÉCTRICO

WARNING

TO REDUCE THE RISK OF ELECTRIC SHOCK, NEVER IMMERSE THE BASE, CORD OR PLUG IN WATER OR OTHER LIQUID.

THIS APPLIANCE IS EQUIPPED WITH A POLARIZED PLUG (ONE BLADE OF THE PLUG IS WIDER THAN THE OTHER) TO REDUCE THE RISK OF ELECTRIC SHOCK. THIS IS A SECURITY FEATURE. THE PLUG WILL FIT IN A POLARIZED OUTLET ONE WAY. IF UNABLE TO INSERT THE PLUG INTO THE ELECTRICAL OUTLET, TRY REVERSING THE PLUG. YET IF THE PLUG DOES NOT FIT, CONTACT A QUALIFIED ELECTRICIAN. DO NOT USE THE PLUG OF AN EXTENSION CORD UNLESS THE PLUG CAN BE FULLY INSERTED IN THE EXTENSION CORD. NEVER MODIFY THE PLUG. DO NOT ATTEMPT TO ALTER THIS MEASURE OF SAFETY IN ANY WAY.

ADVERTENCIA

PARA REDUCIR EL RIESGO DE CHOQUE ELÉCTRICO, NUNCA SUMERJA LA BASE, EL CORDÓN ELÉCTRICO O EL ENCHUFE EN AGUA O EN NINGÚN OTRO LÍQUIDO.

ESTE ARTEFACTO ESTÁ EQUIPADO CON UN ENCHUFE POLARIZADO (UNA PATA DEL ENCHUFE ES MÁS ANCHA QUE LA OTRA) PARA REDUCIR EL RIESGO DE UNA DESCARGA ELÉCTRICA. ESTA ES UNA CARACTERÍSTICA DE SEGURIDAD. EL ENCHUFE ENCAJARÁ EN UN TOMACORRIENTE POLARIZADO EN UNA SOLA DIRECCIÓN. SI NO PUEDE INSERTAR EL ENCHUFE EN LA TOMA DE ELECTRICIDAD, TRATE DE INVERTIR EL ENCHUFE. SI EL ENCHUFE TODAVÍA NO ENCAJA, CONTACTE A UN ELECTRICISTA CALIFICADO. NO USE EL ENCHUFE DE UN CABLE DE EXTENSIÓN A MENOS QUE SE PUEDA INSERTAR COMPLETAMENTE EL ENCHUFE EN EL CABLE DE EXTENSIÓN. NUNCA MODIFIQUE EL ENCHUFE. NO INTENTE ALTERAR ESTA MEDIDA DE SEGURIDAD DE NINGUNA MANERA.

HOLSTEIN
HOUSEWARES

