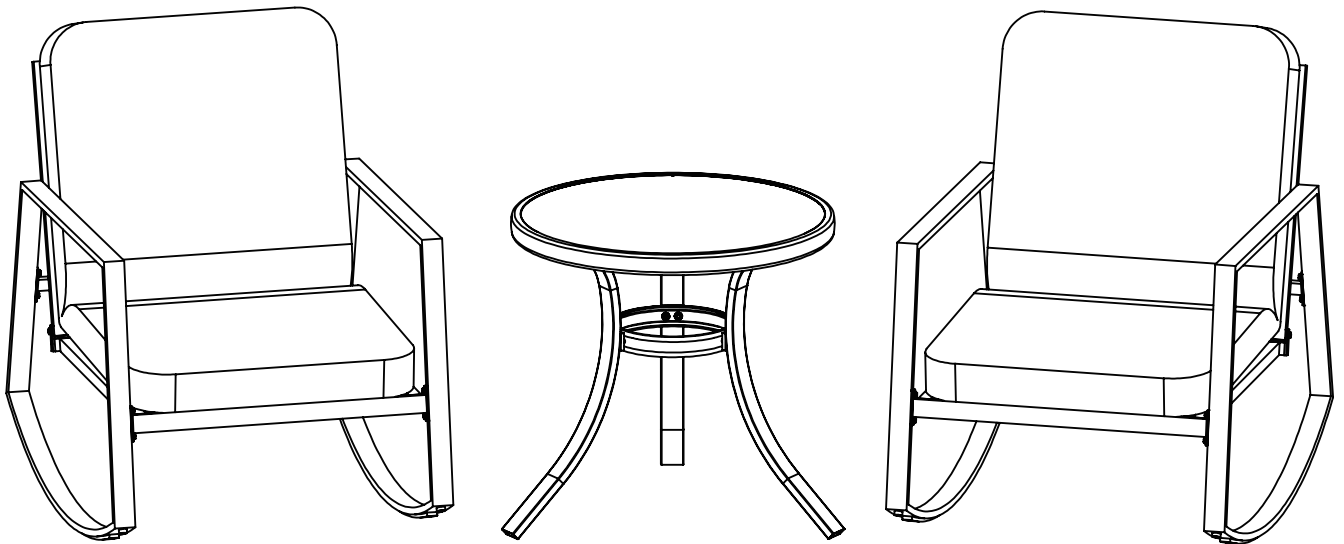


Aurora 3 piece cushion seating set
ASSEMBLY INSTRUCTIONS
SC-K-601-1ERC/3

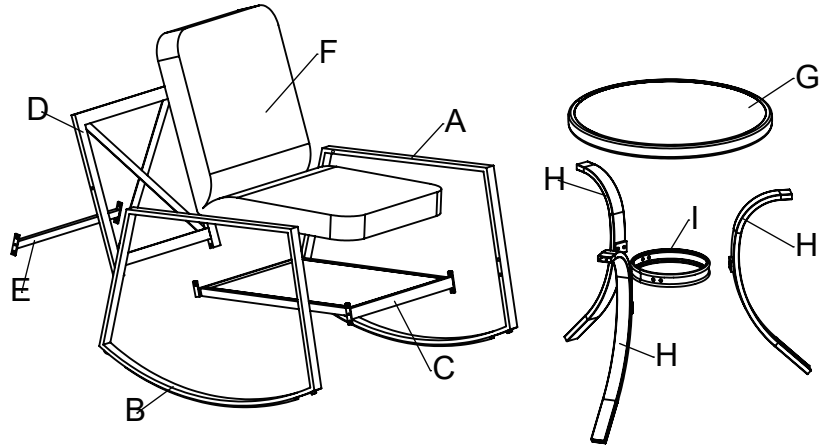


Questions, problems, missing parts with this product? Do not return to your retailer, please call our customer service department 9:00 a.m. to 5:00 p.m. Eastern Standard Time Monday through Friday Phone # 1-800-457-4652 or contact us at www.numarkcustomerservice.com



Parts

A	left chair leg	2
B	right chair leg	2
C	seat	2
D	back	2
E	rear crossbar	2
F	cushion	2
G	table top	1
H	metal table leg	3
	(2 Metal Washers and 2 Bolts attached for each)	
I	center ring	1



Hardware

Ja x 3
Screw



Jb x 16 + 1 spare
Short bolt



Jc x 8 + 1 spare
Long bolt



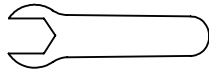
Jd x 4
Nut



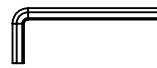
Je x 28
Metal washe



Jf x 1
Open hex wrench



Jg x 1
Allen wrench



Jh x 1 spare
Glass Bumper



Assembly instruction

1

Jc x 2
Long bolt

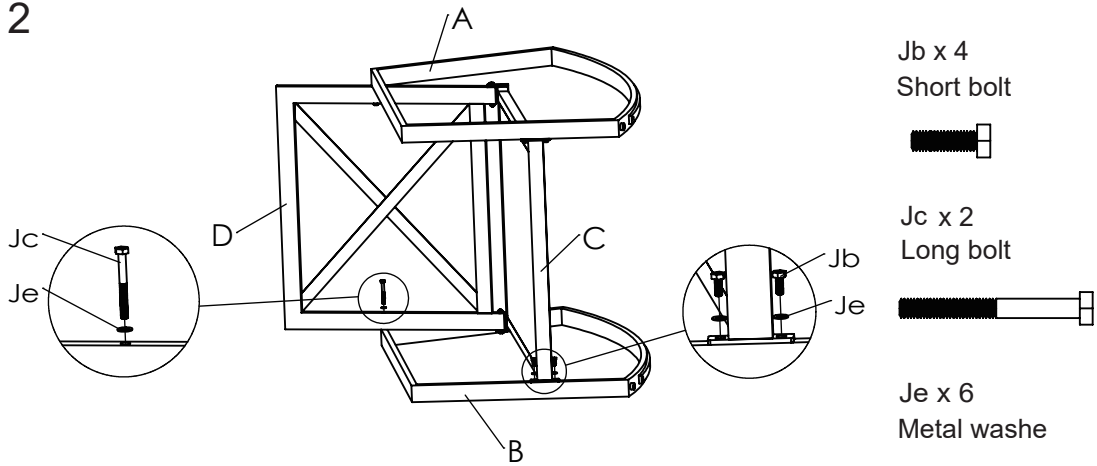
Jd x 2
Nut

Je x 4
Metal washe

Do not tighten completely.
Repeat procedure for the other side.

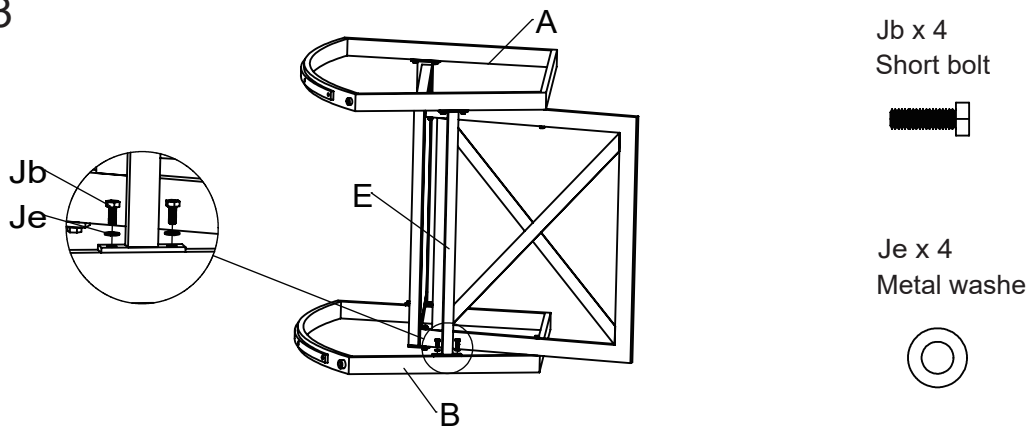
Assembly instruction

2



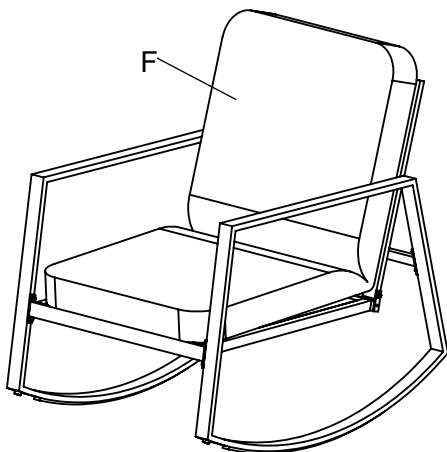
Do not tighten completely.
Repeat procedure for the other side.

3



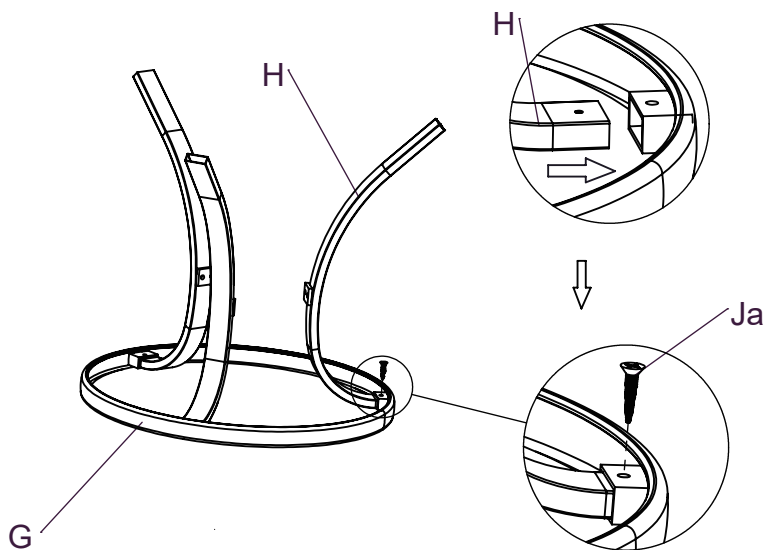
Do not tighten completely.
Repeat procedure for the other side.
Securely tighten all bolts and nuts.

4



Repeat procedure for the other chair.
Your chairs are now ready for use.

5

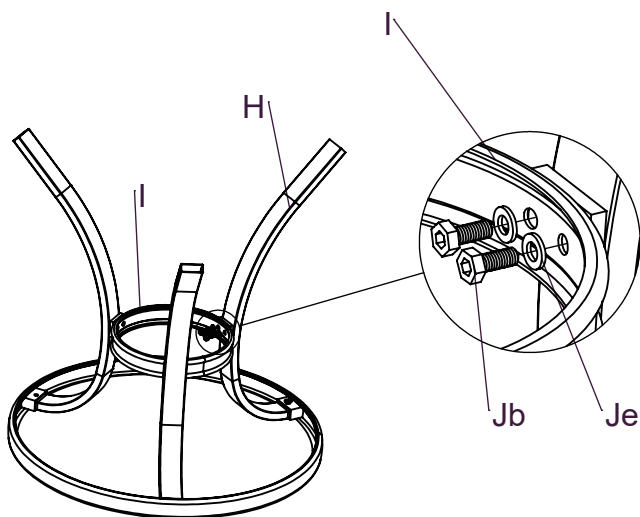


Ja x 3
Screw



Do not tighten completely. Repeat procedure for the other two legs.

6



Jb x 6
Short bolt
(remove from the table leg)



Je x 6
Metal washer
(remove from the table leg)



Turn over the whole table and keep flat.

Securely tighten all bolts.

Your side table is now ready for use.