

## Heavy-Duty

Up to 450 lbs./pair\*

Double Slot Design

Adjustable in 1-1/4" Increments



## 82 Series Standard & 182 Series Bracket System

**Applications** Commercial: schools, hospitals, offices, libraries, retail stores, businesses, and more. Home: office, garage, living areas, pantries, storage and display areas, and more.

**Load Rating** Varies per size\*

**Mounting** Wall

**Material** 14- and 16-gauge Steel Construction

**Finishes** Almond (ALM), Black (BLK), Titanium (TI), White (WH): Attractive, long-lasting, corrosion resistant finishes.

**Features** Standards can be mounted to any type of wall. 82 Series Standards and 182 Series Brackets offer smooth and rounded corners, giving a softer and less intrusive appearance without compromising the strength needed to hold heavy loads. The recessed groove design provides a streamlined surface where the bracket meets the standard. Double-lug bracket design helps prevent shelves and contents from falling if bumped. A broad range of standard and bracket sizes support virtually any size shelf, from 6" to 24" deep. Brackets are vertically adjustable in 1-1/4" increments. Accessories include bookends, bracket locks, locators/joiners, and screws/anchors.

### 82 Series Standards

- Dimensions: 1-1/16" wide x 11/16" deep x selected length
- 14-gauge steel construction
- Made in the USA
- Available from open stock

### 182 Series Brackets

- 16-gauge steel construction
- Vertically adjustable in 1-1/4" increments
- Available from open stock

\* Consult KV Customer Service for information.

# 82 Series Standard & 182 Series Bracket System

## 82 Series Standards



Standard Pack (10/box. UPC labels attached.)				
Size	Almond (ALM)	Black (BLK)	Titanium (TI)	White (WH)
16.5"	82 ALM 16.5	82 BLK 16.5	82 TI 16.5	82 WH 16.5
28"	82 ALM 28	82 BLK 28	82 TI 28	82 WH 28
39"	82 ALM 39	82 BLK 39	82 TI 39	82 WH 39
48"	82 ALM 48	82 BLK 48	82 TI 48	82 WH 48
63"	82 ALM 63	82 BLK 63	82 TI 63	82 WH 63
78"	82 ALM 78	82 BLK 78	82 TI 78	82 WH 78
94"	82 ALM 94	82 BLK 94	82 TI 94	82 WH 94

Builders Pack (BP) (10/display carton. No UPC labels.)			
Size	Almond (ALM)	Black (BLK)	White (WH)
16.5"	82BP ALM 16.5	82BP BLK 16.5	82BP WH 16.5
28"	82BP ALM 28	82BP BLK 28	82BP WH 28
39"	82BP ALM 39	82BP BLK 39	82BP WH 39
48"	82BP ALM 48	82BP BLK 48	82BP WH 48
63"	82BP ALM 63	82BP BLK 63	82BP WH 63
78"	82BP ALM 78	82BP BLK 78	82BP WH 78
94"	82BP ALM 94	82BP BLK 94	82BP WH 94

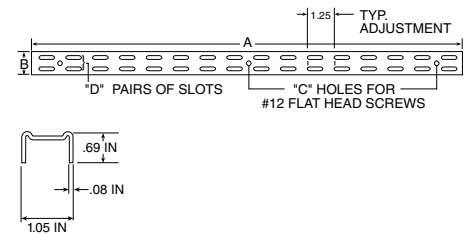


Titanium (TI)

Almond (ALM)

Black (BLK)

White (WH)



Technical Data					
Size	A	B	C	D	
16.5"	41.9 cm	16.69"	1.05"	3	13
28"	71.1 cm	27.94"	1.05"	4	22
39"	99.1 cm	39.19"	1.05"	5	31
48"	121.9 cm	47.94"	1.05"	6	38
63"	160.0 cm	62.94"	1.05"	7	50
78"	198.1 cm	77.94"	1.05"	9	62
94"	238.8 cm	94.19"	1.05"	11	75

## Screws & Accessories



82DP

Screws and Anchors (For mounting standards.)	
Display Pack (DP) (20 bags/carton. Each poly bag contains 6 – #12x2" flat head wood screws and 6 anchors.)	
Zinc (ZC)	
82DP SCREW ZC	



182DP LCTR/JNR

Shelf Locator/Joiner (Stabilizes shelf on bracket or use to join two shelves on a single bracket.)	
Display Pack (DP) (20 bags/carton. 4 locators and 8 screws per bag.)	
Clear (CL)	
182DP LCTR/JNR	



182DP LOCK

Bracket Lock (Bracket lock anchors brackets into standards (for use with all finishes).)	
Display Pack (DP) (20 bags/carton. 6 locks per bag.)	
Black (BLK)	
182DP LOCK	

# 82 Series Standard & 182 Series Bracket System

## 182 Series Brackets



Almond (ALM)



Black (BLK)



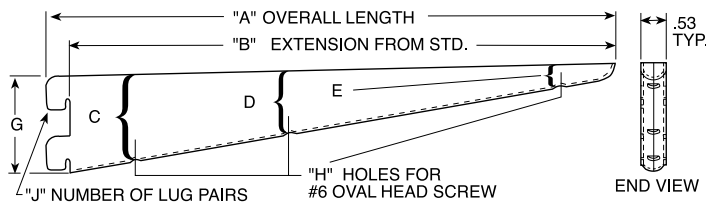
Titanium (TI)



White (WH)

Standard Pack (10/box. UPC labels attached.)				
Size	Almond (ALM)	Black (BLK)	Titanium (TI)	White (WH)
5"	–	–	–	182 WH 5
7"	182 ALM 7	182 BLK 7	182 TI 7	182 WH 7
9"	182 ALM 9	182 BLK 9	182 TI 9	182 WH 9
10.5"	182 ALM 10.5	182 BLK 10.5	182 TI 10.5	182 WH 10.5
12.5"	182 ALM 12.5	182 BLK 12.5	182 TI 12.5	182 WH 12.5
14.5"	182 ALM 14.5	182 BLK 14.5	182 TI 14.5	182 WH 14.5
18.5"	182 ALM 18.5	182 BLK 18.5	182 TI 18.5	182 WH 18.5
24"	182 ALM 24	182 BLK 24	182 TI 24	182 WH 24

Builders Pack (BP) (10/display carton. No UPC labels.)				
Size	Almond (ALM)	Black (BLK)	Titanium (TI)	White (WH)
5"	–	182BP BLK 5	–	182BP WH 5
7"	182BP ALM 7	182BP BLK 7	–	182BP WH 7
9"	182BP ALM 9	182BP BLK 9	182BP TI 9	182BP WH 9
10.5"	182BP ALM 10.5	182BP BLK 10.5	182BP TI 10.5	182BP WH 10.5
12.5"	182BP ALM 12.5	182BP BLK 12.5	182BP TI 12.5	182BP WH 12.5
14.5"	182BP ALM 14.5	182BP BLK 14.5	182BP TI 14.5	182BP WH 14.5
18.5"	182BP ALM 18.5	182BP BLK 18.5	182BP TI 18.5	182BP WH 18.5
24"	182BP ALM 24	182BP BLK 24	182BP TI 24	182BP WH 24



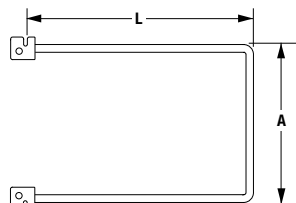
Technical Data											
Size	Shelf Depth	A	B	C	D	E	G	H	J	K (Lug Type)	
5.0"	12.7 cm	6"	5.27"	4.83"	--	1.37"	.49"	1.93"	2	Lug/Lug	
7.0"	17.8 cm	8"	7.26"	6.83"	--	1.44"	.49"	1.93"	2	Lug/Lug	
9.0"	22.9 cm	10"	9.23"	8.80"	--	1.38"	.51"	1.93"	2	Lug/Lug	
10.5"	26.7 cm	12"	11.20"	10.76"	--	1.42"	.52"	1.93"	2	Lug/Lug	
12.5"	31.8 cm	14"	13.17"	12.74"	--	1.44"	.53"	1.93"	2	Lug/Lug	
14.5"	36.8 cm	16"	15.18"	14.74"	--	2.50"	.73"	3.20"	3	Lug/Lug/Tab	
18.5"	47.0 cm	20"	19.01"	18.57"	2.85"	1.74"	.64"	3.20"	3	Lug/Lug/Tab	
24"	61.0 cm	24"	24.51"	24.07"	2.72"	1.63"	.56"	3.20"	3	Lug/Lug/Tab	

\* Results were derived by attaching TWO KV #182 brackets to KV #82 wall standards that were fastened through drywall and into wood wall studs with 82/182 screws. Standards were spaced 16" apart. An evenly distributed load was applied over the entire shelf surface. Other fastening and loading methods may cause results to vary. Do NOT exceed weight capacity indicated.

## 182BE Bookends



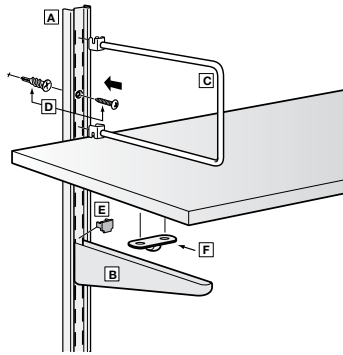
White (WH)



Standard Pack (10 pair/carton. Header card.)	
Size	White (WH)
7"	182 BE WH 7
9"	182 BE WH 9
10.5"	182 BE WH 10.5

Technical Data			
Size	A	L	
7"	17.8 cm	4.50"	
9"	22.9 cm	5.75"	
10.5"	26.7 cm	5.75"	

# 82 Series Standard & 182 Series Bracket System



- A. 82 Series Wall Standard
- B. 182 Series Shelf Bracket
- C. 182 Series BE Bookend
- D. 82DP ZC Screw/Anchor
- E. 182DP LOCK Bracket Lock
- F. 182DP LCTR/JNR Shelf Locator/Joiner

## 1. Product Name

**82 Series Wall Standard. 182 Series Adjustable Bracket.** Decorative, heavy-duty, double-track standard and bracket system.

## 2. Manufacturer

Knappe & Vogt Manufacturing Company  
2700 Oak Industrial Dr. NE, Grand Rapids, MI USA 49505-6026  
(616) 459-3311 | [www.kv.com](http://www.kv.com)

## 3. Product Description

**Basic Use:** Heavy-duty shelving system where appearance and strength is critical. Appropriate for any institutional or residential setting requiring attractive, strong storage. Applications include schools, hospitals, offices, libraries, retail stores, and even homes.

This is a comprehensive shelving system. Standards and brackets offered in a wide range of sizes to accommodate any storage layout. Optional accessories include: bracket locks, bookends, components to ease installation, and fasteners required to mount product.

**Composition and Materials:** 16-gauge cold rolled steel.

### Sizes:

**82 Series Standards:** 1-1/16" wide x 11/16" deep x selected length

**182 Series Brackets:** 16-gauge cold rolled steel; used for shelf depths of 5", 7", 9", 10.5", 12.5", 14.5", 18.5", 24"

### Finishes:

Almond, Black, Titanium, or White (powder-coat paint)

## 4. Technical Data

**Applicable Standards:** Standards and Brackets are tested to meet or exceed the ANSI performance standards as established by BHMA in the Knappe & Vogt recommended application.

These load limits are intended to be used as general guidelines only, and no warranty — expressed or implied — is made by Knappe & Vogt™.

Results were obtained by laboratory testing in accordance with ANSI/ BHMA A156.9-2003 performance standard. (Load ratings based on brackets being mounted on 16" centers. Wider spacing will result in reduced load capacity.) Actual use conditions will typically result in lower load capacity than laboratory conditions.

Representative testing in a fully configured application is the only way to assure proper performance, durability, and safety.

### Environmental Considerations:

**Environment:** Excessive humidity, salts, or other chemical agents can corrode the finish and attack metal or plastic components.

**Fastening:** Inadequate or incorrect fasteners can result in the flanges and rods pulling loose and causing damage.

**Alignment:** Improper closet rod alignment can result in a system that is ineffective and unsafe.

## 5. Installation

1. Locate the wall studs, which are generally found at 16" intervals. Position the standard (A) and mark the location of the uppermost screw hole on the wall. Drill a 5/32" pilot hole for attaching into stud, or for attachment to drywall, drill a 5/16" pilot hole for supplied drywall anchor. Attach the standard to the wall using a screw (and anchor) (82DP SCREW ZC) (D). Do not fully tighten.

2. Use a level to be sure the standard is perfectly vertical. Mark the position for the remaining screw holes through the standard. Drill the holes. Insert the screws (or screws and anchors) and fully tighten all screws.

3. Place a level on top of the first standard. Make sure the level is perfectly horizontal. Over the center of the next stud, mark where the top of the next standard will be mounted. Position the standard and again mark the upper screw hole. Repeat steps 1 and 2 for all remaining standards.

4. Place the brackets into the standards by placing lugs into slots of standard at the desired shelf position. Then tap bracket down so the lugs lodge into place.

**NOTE:** To completely anchor the bracket into the standard, place an optional bracket lock (182DP LOCK) (E) in the same standard slots holding the top lugs of the bracket after positioning bracket.

5. Place your shelf on the brackets so that the back edge of the shelf touches the standards. Stabilize shelf using bracket screws (#6 oval head tapping screws: 5"-12.5" brackets use one 1" and one 2" screw; 14" brackets use one 1" and one 3-1/8" screw; or shelf locator/joiner (182DP LCTR/JNR) (F). Bracket screws fasten the shelf directly to the bracket. Shelf locators/joiners stabilize the shelf on the bracket, while still allowing easy removal.

Install bracket screw(s) by placing shortest screw in front hole in bottom of bracket; longer screw(s) by placing shortest screw in front hole in bottom of bracket; longer screw(s) go into remaining hole(s) in bracket bottom.

Install shelf locators/joiners by placing locator in bracket groove under shelf and attaching with screws provided.

**NOTE:** To secure two shelves to the same bracket, use the shelf locator/joiner (182DP LCTR/JNR).

6. Install bookend. To support books, binders, etc., snap bookends (182 BE) (C) into the standard above the shelf.

## 6. Availability and Cost

**Availability:** Knappe & Vogt™ (KV™) products are available from stocking distributors and through KV™ Representatives worldwide.

**Cost:** Current pricing is available from area KV™ Representatives. Please call for the nearest representative at: (800) 253-1561.

## 7. Warranty

**Limited Lifetime Warranty:** Knappe & Vogt offers its standard Limited Lifetime Warranty to the initial purchaser of commercial products. This warranty covers defects in materials and workmanship which occur during normal use, and the remedy is limited to repair or replacement of defective products, at KV's option. Certain types of defects and damage are excluded from warranty coverage, costs and expenses are not covered, and additional restrictions apply. A copy of the Limited Lifetime Warranty, with all warranty details, limitations and disclaimers, is available on the Customer Care Connection location at [www.kv.com](http://www.kv.com) or from KV Customer Service, 2700 Oak Industrial Drive, Grand Rapids, MI 49505, (800) 253-1561.

## 8. Maintenance

82 Series Wall Standards and 182 Series Adjustable Brackets require no maintenance. Inspect for proper fit periodically and adjust when necessary. Replace as required or recommended by application.

## 9. Technical Services

Knappe & Vogt™ and area representatives can assist with any application. For further information, or for the name of the representative nearest you, please call Knappe & Vogt™ Customer Service: (800) 253-1561 or visit our website at: [www.kv.com](http://www.kv.com).

## 10. Filing Systems

Additional product information, data sheets, application sheets, and a full catalog are available upon request from Knappe & Vogt™.



**KNAPE & VOGT.**

2700 Oak Industrial Dr. NE  
Grand Rapids, MI 49505-6026 USA  
1.800.253.1561 | 616.459.3311  
Fax: 877.636.3290  
[www.kv.com](http://www.kv.com)

**BHMA** Knappe & Vogt shelving products follow the ANSI testing standards established by BHMA.

*Knappe & Vogt reserves the right to change product specifications at any time without notice and without incurring responsibility for existing units. This information conforms to editorial style prescribed by The Construction Specifications Institute.*