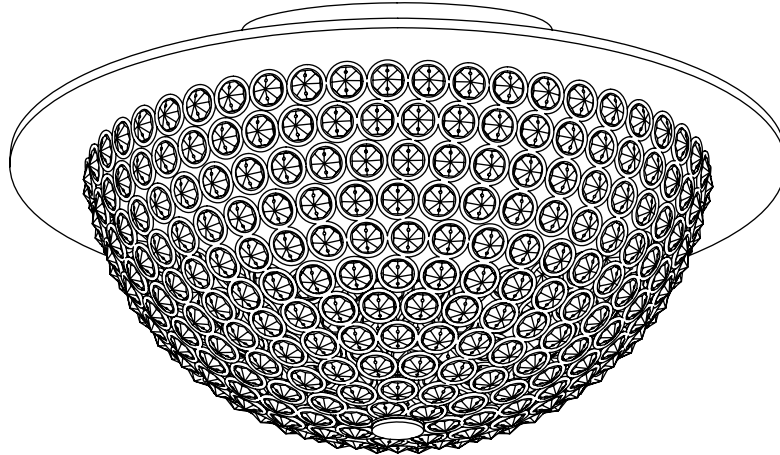


USE AND CARE GUIDE

3-LIGHT FLUSH MOUNT



Questions, problems, missing parts? Before returning to the store,
call Home Decorators Collection Customer Service
8 a.m. - 7 p.m., EST, Monday-Friday, 9 a.m. - 6 p.m., EST, Saturday

1-800-986-3460

HOMEDEPOT.COM/HOMEDECORATORS

THANK YOU

We appreciate the trust and confidence you have placed in Commercial Electric through the purchase of this light fixture. We strive to continually create quality products designed to enhance your home. Visit us online to see our full line of products available for your home improvement needs. Thank you for choosing Commercial Electric!

Table of Contents

Table of Contents.....	2	Hardware Included.....	3
Safety Information.....	2	Package Contents	4
Warranty.....	2	Installation	5
Five (5) Year Warranty	2	Care and Cleaning	7
What is Covered.....	2	Troubleshooting.....	7
What is Not Covered	2	Service Parts	8
Pre-Installation	3	Model Type	8
Planning Installation	3		
Tools Required	3		

Safety Information

READ AND SAVE THESE INSTRUCTIONS.

- For your protection and safety, carefully read and understand the information provided in this manual completely before attempting to assemble, install, or operate this product. Failure to do so could lead to electrical shock, fire, or other injuries that could be hazardous or even fatal.
- Before touching any wire, use a voltage tester to make sure it is not live.
- When replacing fuses, turn off the main power first. Make sure your hands and feet are dry, and place one hand behind your back to prevent electricity from making a complete circuit through your chest. Touch a plug fuse only by its insulated rim. Remove cartridge fuses with a fuse puller.
- Use tools with insulated handles and ladders made of wood or fiberglass.
- To protect children, place a safety cover over any unused outlets.



DANGER: Before starting installation of this fixture or removal of a previous fixture, disconnect the power by turning off the circuit breaker, removing the fuse at the fuse box, or tripping the breaker that controls that circuit. Tape a sign to the panel warning others to leave the circuit alone while you work.



CAUTION: CONSULT A QUALIFIED ELECTRICIAN IF YOU HAVE ANY ELECTRICAL QUESTIONS. If you have any non-electrical questions about this fixture, please call our Customer Service Team at 1-800-986-3460 or visit HOMEDEPOT.COM/HOMEDECORATORS. Please reference your SKU (1000 000 000) or UPC (802513168181).

Warranty

FIVE (5) YEAR WARRANTY

WHAT IS COVERED

The manufacturer warrants this fixture to be free from defects in materials and workmanship for a period of five (5) years from date of purchase. This warranty applies only to the original consumer purchaser and only to products used in normal use and service. If this product is found to be defective, the manufacturer's only obligation, and your exclusive remedy, is the repair or replacement of the product at the manufacturer's discretion, provided that the product has not been damaged through misuse, abuse, accident, modifications, alteration, neglect, or mishandling. This warranty shall not apply to any product that is found to have been improperly installed, set-up, or used in any way not in accordance with the instructions supplied with the product. This warranty shall not apply to a failure of the product as a result of an accident, misuse, abuse, negligence, alteration, faulty installation, or any other failure not relating to faulty material or workmanship. This warranty shall not apply to the finish on any portion of the product, such as surface and/or weathering, as this is considered normal wear and tear.

WHAT IS NOT COVERED

The manufacturer does not warrant and specifically disclaims any warranty, whether expressed or implied, of fitness for a particular purpose, other than the warranty contained herein. The manufacturer specifically disclaims any liability and shall not be liable for any consequential or incidental loss or damage, including but not limited to any labor/expense costs involved in the replacement or repair of said product.

Contact the Customer Service Team at 1-800-986-3460 or visit HOMEDEPOT.COM/HOMEDECORATORS.

Pre-Installation

PLANNING INSTALLATION

Read all instructions before installing.

To avoid damaging this product, place it on a soft, non-abrasive surface, such as carpet or cardboard.

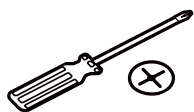


IMPORTANT: Inspect the wire insulation for any cuts, abrasions, or exposed copper that may have occurred during shipping. If there is a defect in the wire, do not attempt installation. Please call the Customer Service Team at 1-800-986-3460.



NOTE: You may use three 40 W type G9 xenon bulbs (included). Do not touch the G9 xenon bulbs with bare hands at any time. A pair of white gloves has been included for installation as oil from the skin may damage the bulb.

TOOLS REQUIRED (NOT INCLUDED)



Phillips
Screwdriver



Wire
Stripper



Pliers



Safety
Goggles



Electrical
Tape

TOOLS REQUIRED (INCLUDED)



Gloves

HARDWARE INCLUDED



NOTE: Hardware not shown to actual size.



AA



BB



CC



DD



EE



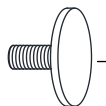
FF



GG



HH



II



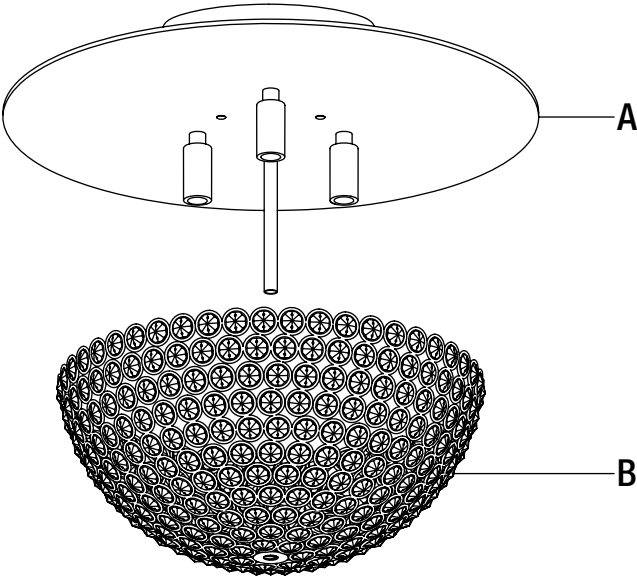
JJ

Part	Description	Quantity
AA	Mounting bracket	1
BB	Support screw	2
CC	Outlet box screw	2
DD	Hex nut	2
EE	Green ground screw (Pre-installed to mounting bracket (AA))	1

Part	Description	Quantity
FF	Wire connector	3
GG	Finial	2
HH	Plastic washer	1
II	Cap nut	1
JJ	40W G9 xenon bulb	3

Pre-installation (continued)

PACKAGE CONTENTS



Part	Description	Quantity
A	Fixture body	1
B	Shade	1

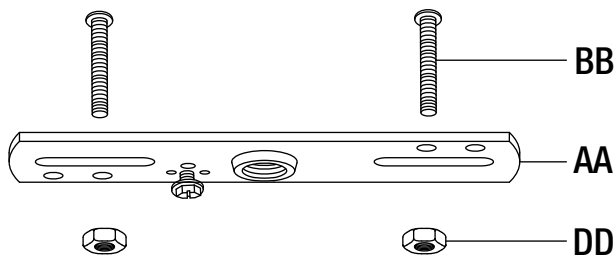
Installation

1 Preparing the mounting bracket

- Tighten the support screws (BB) (long) into the inside mounting holes of the mounting bracket (AA) (to be fully tightened later), and secure with hex nuts (DD).

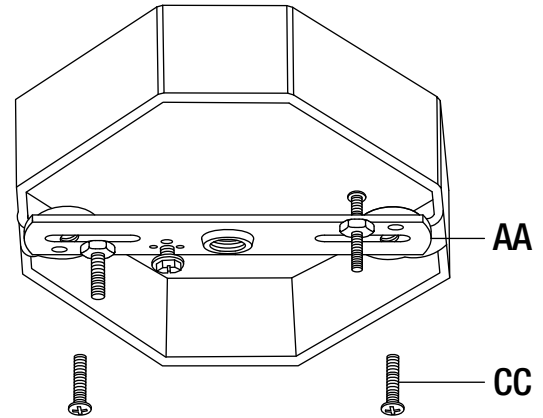


NOTE: The support screws (BB) should extend long enough to protrude through the canopy of the fixture body (A) when it is mounted. (Adjust as needed).



2 Installing the mounting bracket

- Fasten the mounting bracket (AA) onto the outlet box using two outlet box screws (CC).

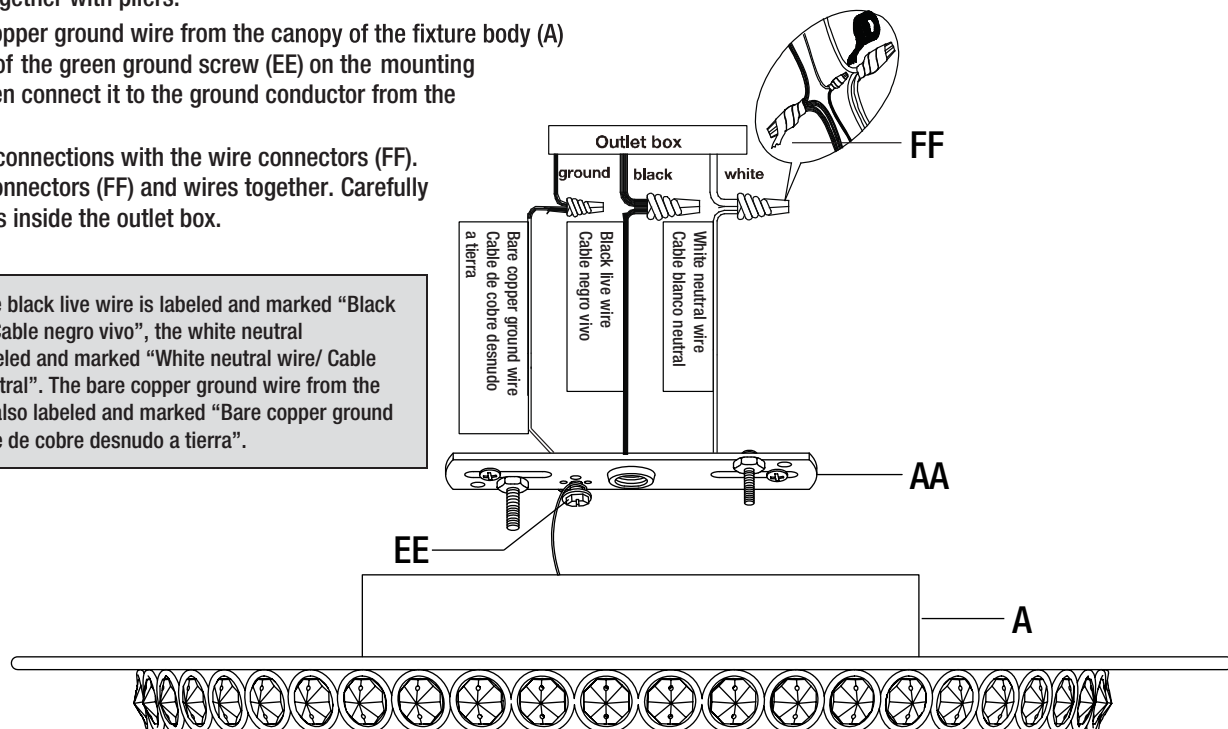


3 Connecting the wires

- Strip 3/4 in. of insulation from wire ends.
- Connect the black live wire from the fixture to the black wire from the outlet box and the white neutral wire from the fixture to the white wire from the outlet box. Twist the stripped ends together with pliers.
- Loop the bare copper ground wire from the canopy of the fixture body (A) under the head of the green ground screw (EE) on the mounting bracket (AA), then connect it to the ground conductor from the supply circuit.
- Cover the wire connections with the wire connectors (FF). Tape the wire connectors (FF) and wires together. Carefully position all wires inside the outlet box.



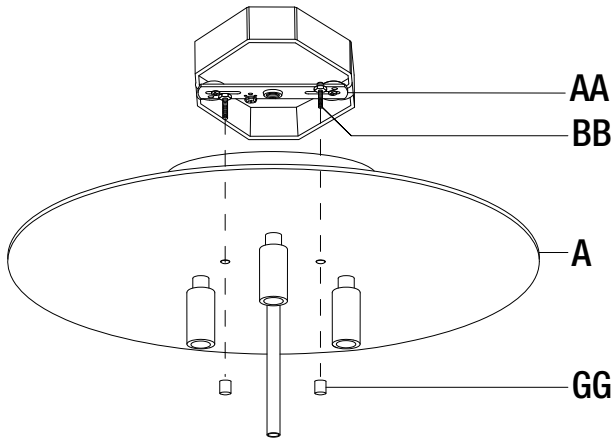
NOTE: The black live wire is labeled and marked "Black live wire/ Cable negro vivo", the white neutral wire is labeled and marked "White neutral wire/ Cable blanco neutral". The bare copper ground wire from the canopy is also labeled and marked "Bare copper ground wire/ Cable de cobre desnudo a tierra".



Installation (continued)

4 Assembling the fixture body onto the outlet box

- Place the canopy of fixture body (A) over the outlet box and allow the support screws (BB) to come through the holes of the fixture body (A).
- Tighten the finials (GG) to the protruding threaded tubes of the support screws (BB) on the mounting bracket (AA) until the canopy of fixture body (A) is held firmly against the ceiling.

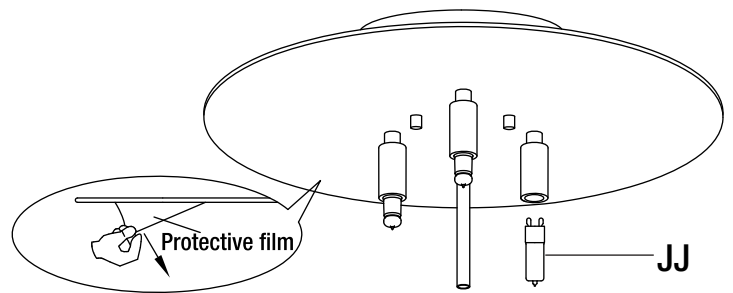


5 Installing the light bulbs

- Install the light bulbs (JJ) into the sockets. Use three 40 W G9 base xenon bulbs (included).

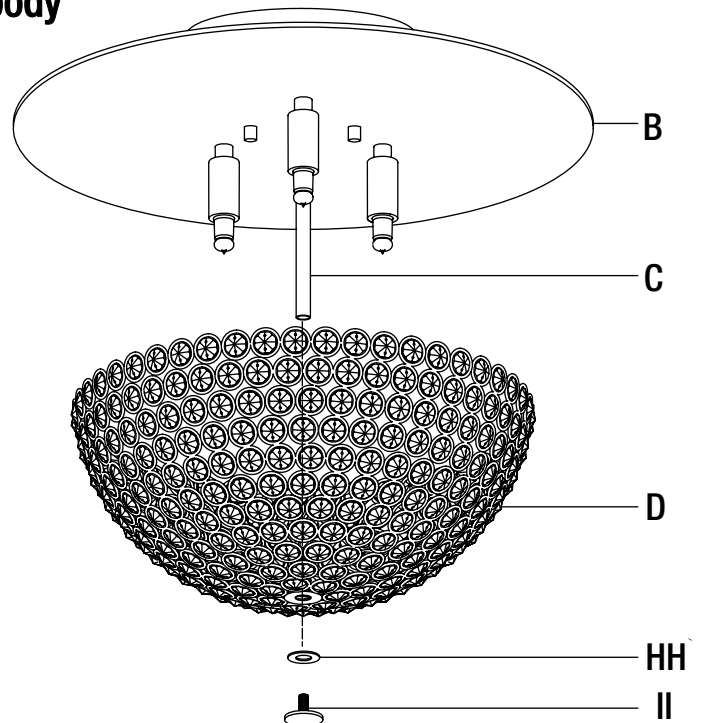


NOTE: Use only Max 40W type G9 xenon bulbs. DO NOT use type G9 halogen bulbs without a shield. Do not touch the G9 xenon bulbs with bare hands at any time. A pair of white gloves has been included for installation as oil from the skin may damage the bulb. Please remove the protective film before installing bulbs.



6 Assembling the shade onto the fixture body

- Place the plastic washer (HH) onto the cap nut (II).
- Place the shade (D) onto the fixture body (B) and secure the cap nut (II) with the plastic washer (HH) into the tube (C) to tighten the shade (D).



Care and Cleaning

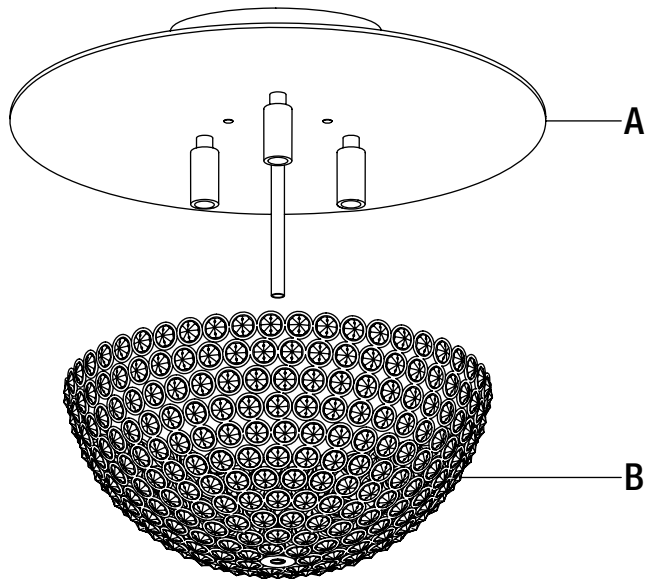
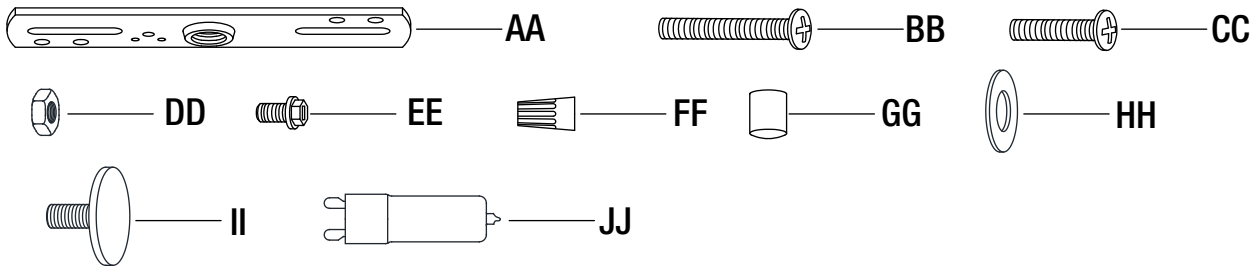
- Do not use any cleaners with chemicals, solvents, or harsh abrasives. Use only a dry, soft cloth to dust or wipe carefully.
- To clean the fixture, disconnect the power by turning off the circuit breaker or by removing the fuse at the fuse box, and use a dry or slightly dampened, clean cloth to wipe the exterior surface of the fixture.

Troubleshooting

Problem	Possible Cause	Solution
The lights will not turn on.	The bulb is burned out.	Replace the light bulb.
	The power is off.	Ensure the power supply is turned on.
	There is a faulty switch.	Test or replace the switch.
	There is a faulty wire connection.	Check the wiring.
The fuse blows, or the circuit breaker trips, when the light is turned on.	There are crossed wires, or the power wire is grounding out.	Discontinue use of the lamp. Check the wire connections. Contact a qualified electrician or call the Customer Care Service Team at 1-800-986-3460.

Service Parts

MODEL TYPE : 16818



Part	Description
AA	Mounting bracket
BB	Support screw
CC	Outlet box screw
DD	Hex nut
EE	Green ground screw (Pre-installed to mounting bracket (AA))
FF	Wire connector

Part	Description
GG	Finial
HH	Plastic washer
II	Cap nut
JJ	40W G9 xenon Bulb
A	Fixture body
B	Shade

HOME DECORATORS COLLECTION

Questions, problems, missing parts? Before returning to the store,
call Home Decorators Collection Customer Service
8 a.m. - 7 p.m., EST, Monday-Friday, 9 a.m. - 6 p.m., EST, Saturday

1-800-986-3460

[HOMEDEPOT.COM/HOMEDECORATORS](https://www.homedepot.com/homedecorators)

Retain this manual for future use.