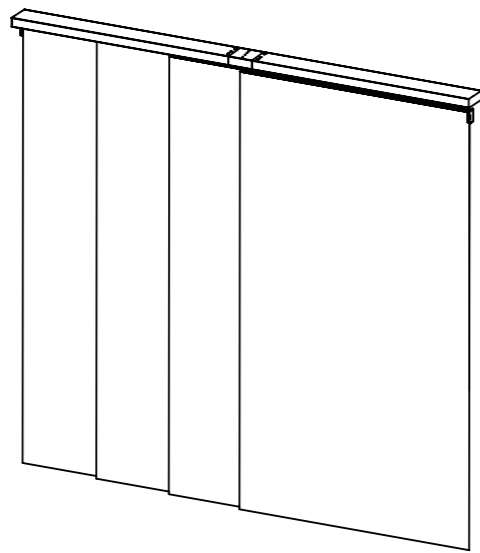


INSTRUCTION

Adjustable 4 Rail Panel System

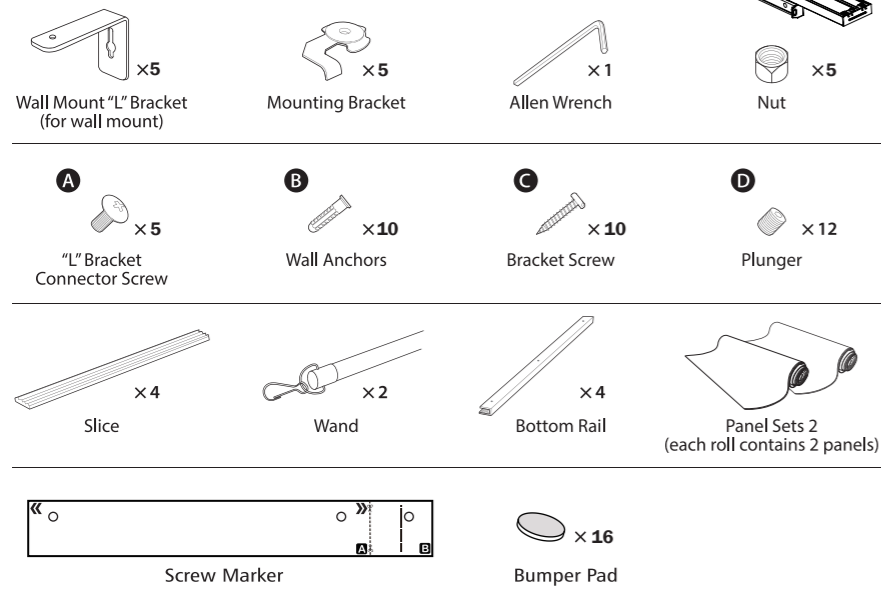
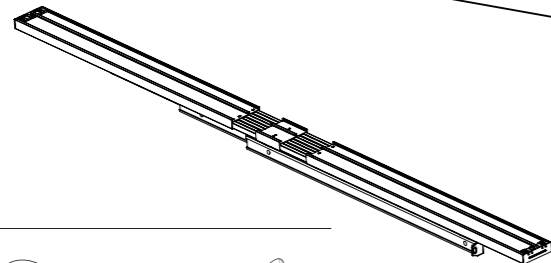


OFFICIAL WEBSITE



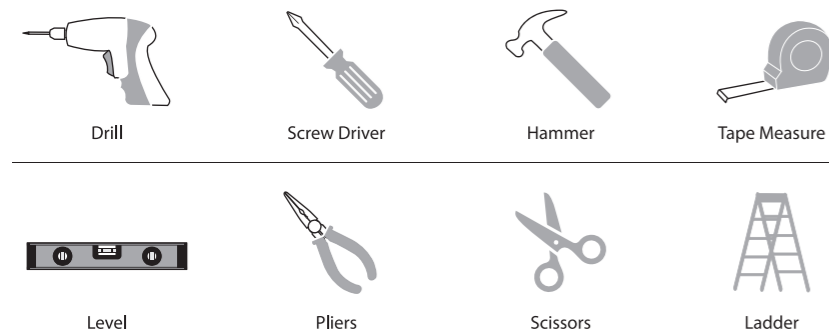
Parts

Adjustable Track x 1



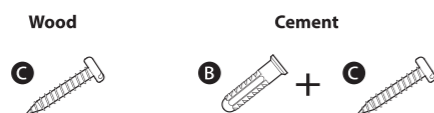
Check all pieces before installation.
Please contact GoDear Design directly if your product is missing items or parts.

Prepare Tools



Remark

Screw Suggestion

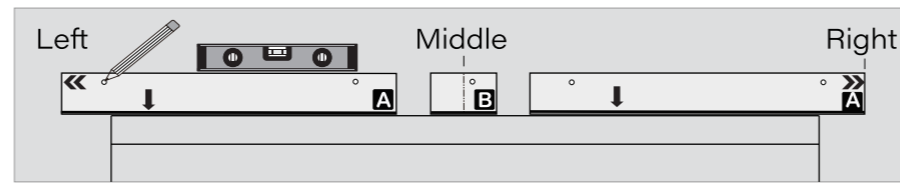


Installation

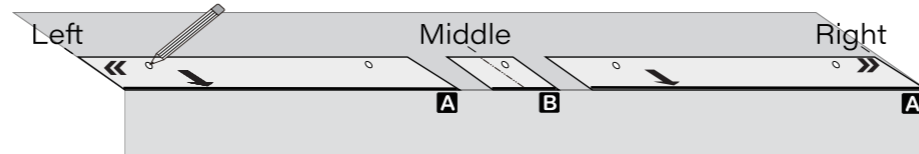
Push against Screw Marker where you want your track to start from

Step 1 - Mark the screws position with provided screw marker

Wall Mount

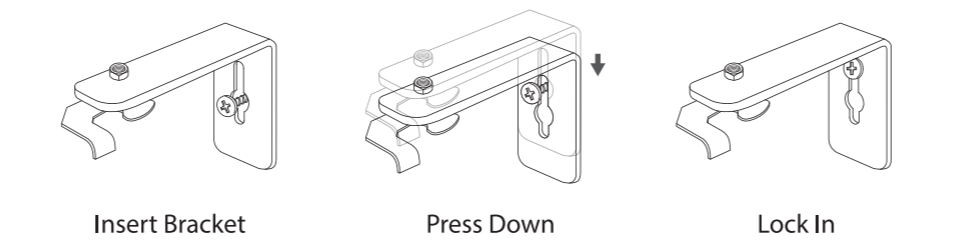
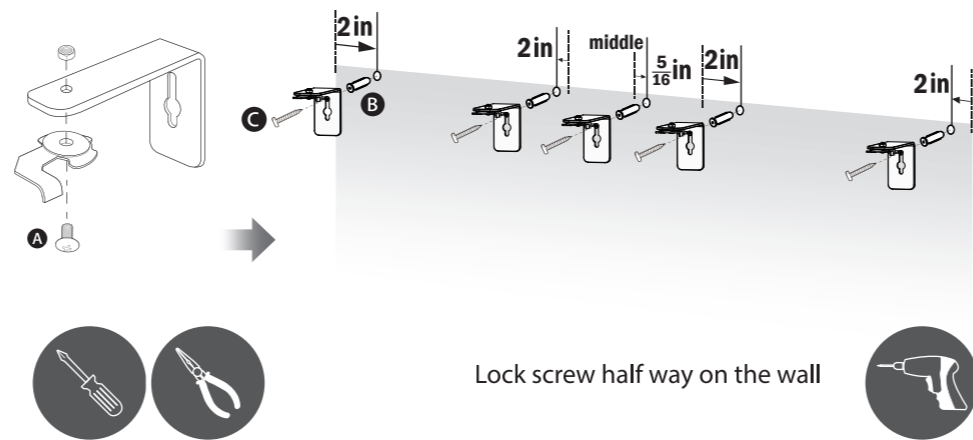


Ceiling Mount

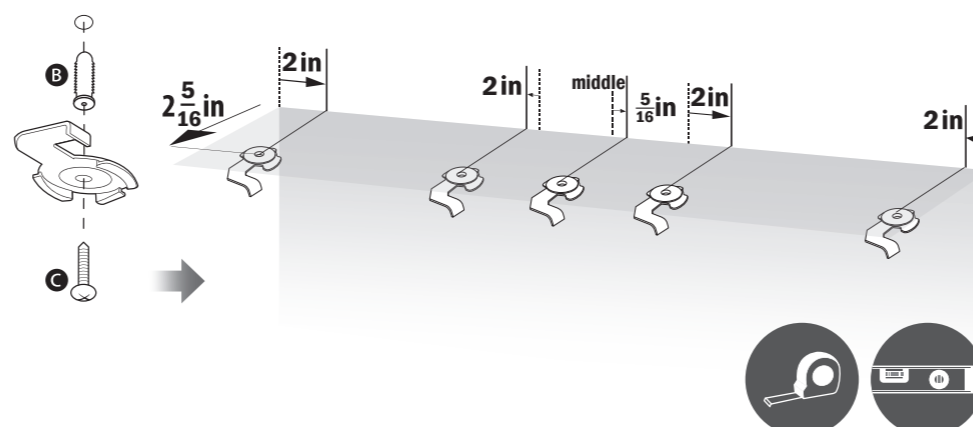


Step 2 - Install the Brackets (Wall Mount or Ceiling Mount)

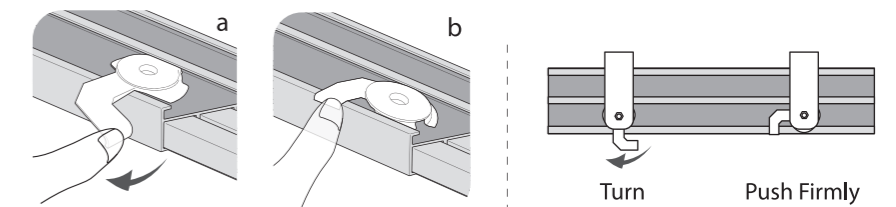
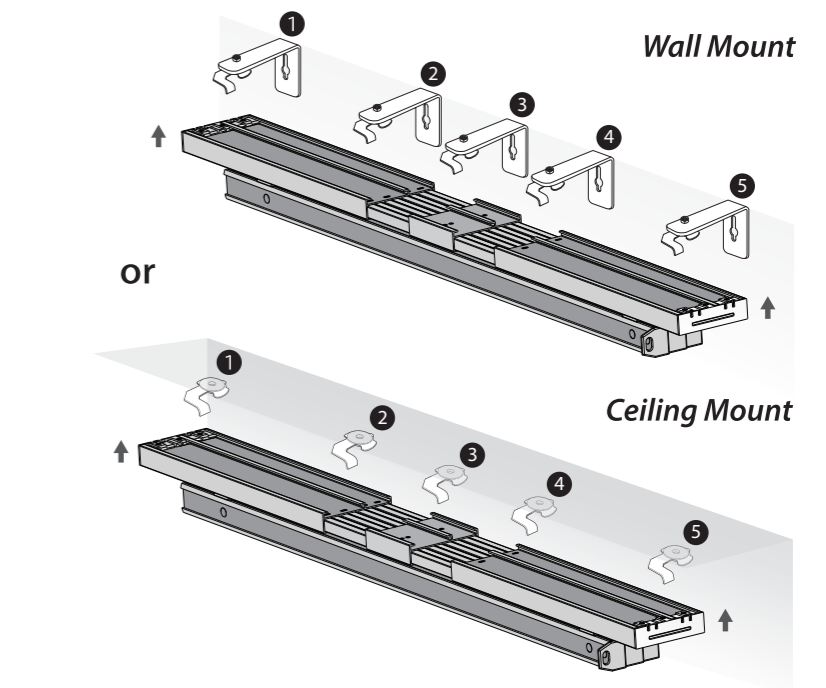
Wall Mount



Ceiling Mount

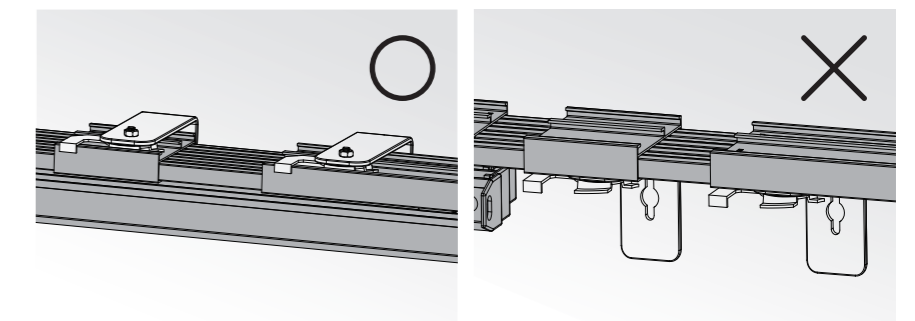


Step 3 - Attach the Mounting Brackets to the Track



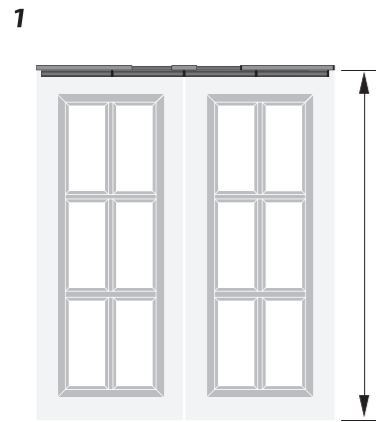
Extend the Track to the wanted length, then push firmly the 5th Bracket

DO NOT over extend the track as it may cause to separate completely.

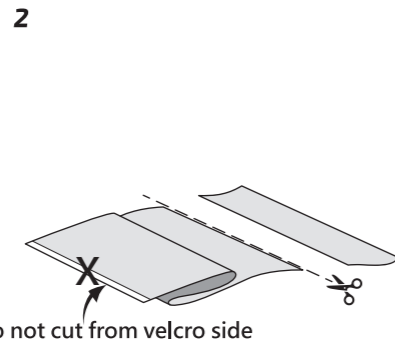


DO NOT put the Track upon the Brackets.

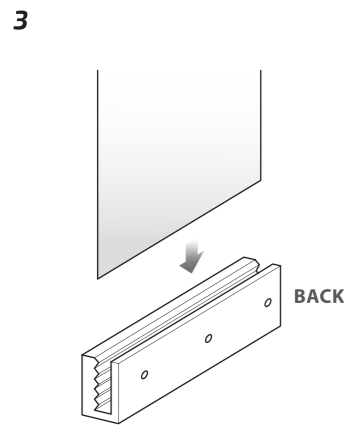
Step 4 - Sliding Panel



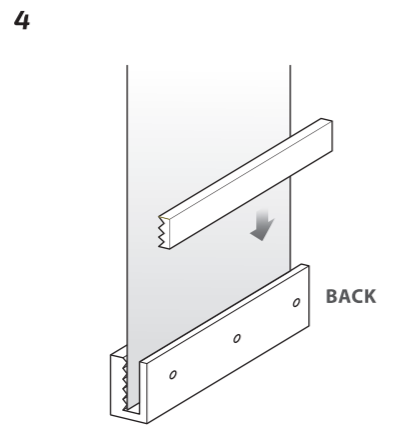
Measure the size you want



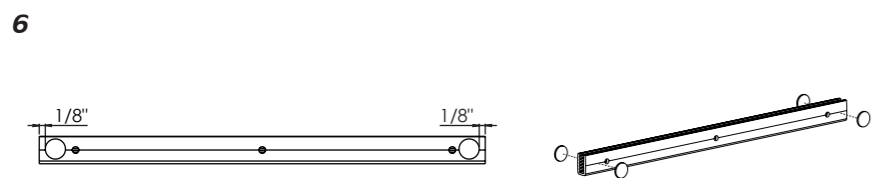
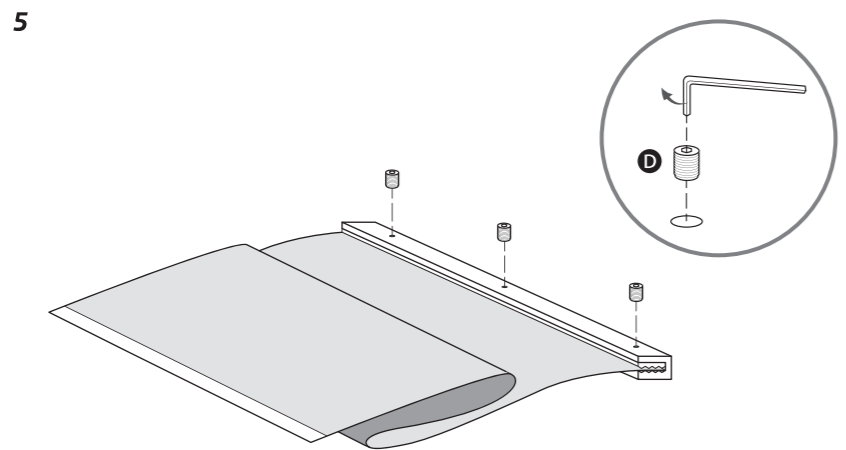
Cut out the length of Panel



Insert the panel



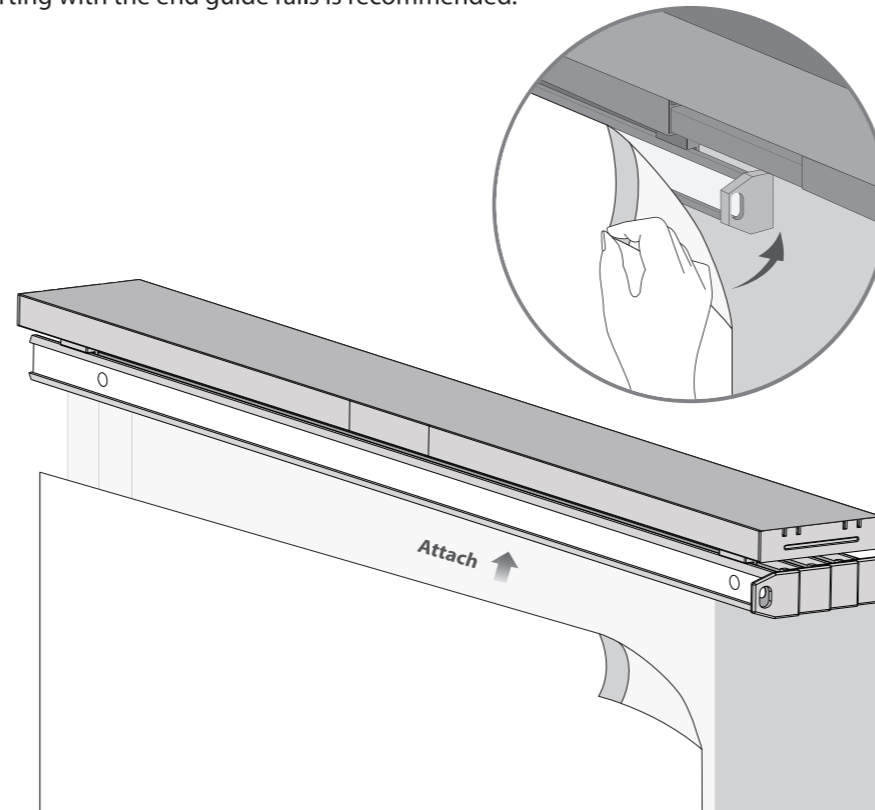
Insert the slice



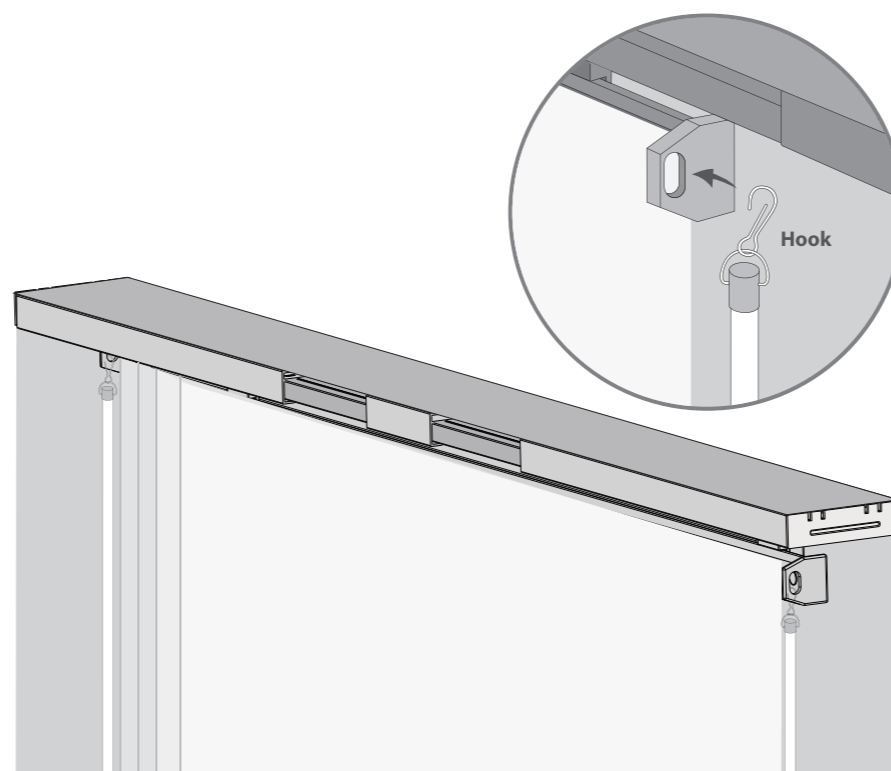
4 bumper pads on each bottom rail recommended

Step 5 - Attach the Panels

Attach fabric panels to the pre-installed guide rails of the track using durable Velcro. Starting with the end guide rails is recommended.



Step 6 - Attach the 2 wands to the leading and ending guide rails



Tips

Best 45 degree, use wand to open and close fabric panels with ease.

