



# Sun Screen Fabric PROJECTS • PROYECTOS

## Patio Shade

3-4

Sombraje  
de Patio



## Greenhouse and Garden Shade Structure

5-6

Invernadero y  
Estructura para  
Sombra

## Playhouse and Sandbox

7-8

Casita para  
Juegos y  
Cajón de Arena

## Privacy Fence

9-10

Cerca de  
Privacidad



## Roll-up Shade

11-12

Visillo Enrollable





# Sun Screen Fabric

## PROJECTS • PROYECTOS

**E**asy Gardener Sun Screen Fabric is an excellent choice for your garden fabric needs. It is available in an array of colors including: black, green, jade, smoke blue and saddle tan. Sun Screen Fabric provides shade, privacy and windscreen for people, plants and pets.

**Easy Gardener Sun Screen Fabric** es una excelente alternativa para el jardín. Se ofrece en una variedad de colores, entre ellos: negro, verde, jade, azul humo y café. **Sun Screen Fabric** brinda sombra, privacidad y protección contra el viento a la gente, las plantas y los animales.

### Easy Installation

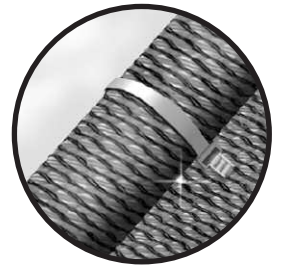
For the easiest installation of **Sun Screen Fabric**, select the easy-to-use accessory best suited to your application. Choose from **Locking Clips**, **Locking Ties**, **Snap Grommets** and **Wood Fasteners** — all designed to make **Sun Screen Fabric** projects simple to do so you can enjoy the results sooner.

### Fácil Instalación

Para instalar su **Sun Screen Fabric** de la manera más sencilla, seleccione el accesorio que mejor se adapte a su aplicación. Elija entre **Presillas de Sujeción (Locking Clips)**, **Ataduras de Seguridad (Locking Ties)**, **Arandelas de Broche (Snap Grommets)** y **Sujetadores para Madera (Wood Fasteners)**, todos ellos diseñados para facilitar la instalación **Sun Screen Fabric**, para que pueda disfrutar los resultados más pronto.



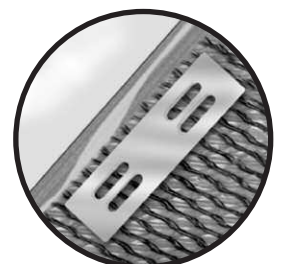
**Locking Clips**  
**Presillas de Sujeción**  
Fastens fabric to wire, rope, cable, chainlink and mesh fences.  
Sujetan la tela a alambre, cuerda, cable, cadena y alambrados.



**Locking Ties**  
**Ataduras de Seguridad**  
Fastens fabric to metal pipes, posts and heavy cable.  
Sujetan la tela a tuberías de metal, postes y cable pesado.



**Snap Grommets**  
**Arandelas de Broche**  
Protects fabric from tearing.  
Protegen la tela para que no se desgarre.



**Wood Fasteners**  
**Sujetadores para Madera**  
Fastens fabric to soft timber. Ideal for pine.  
Sujetan la tela a madera suave.  
Ideales para pino.



# Sun Screen Fabric PROJECTS • PROYECTOS

## Patio Shade

This example is for a 12' x 12' shade. Materials can be varied for other sizes. **Sun Screen Fabric** comes in 6' widths. Pressure treated lumber is recommended. Metal connectors are available for wood connections.

### Tools:

- Posthole digger
- String line
- Hammer
- Line level
- Wood saw
- 3/8" electric drill and 3/8" bit
- Measuring tape
- 8" adjustable wrench
- Scissors
- 6' step ladder
- Level
- Two 8" C-clamps

### Materials:

- One 6' x 25' roll **Sun Screen Fabric**
- Six 4" x 4" x 10' posts
- Nine 2" x 6" x 14' lumber
- Five 2" x 4" x 12' lumber
- Six bags concrete mix
- Twelve 3/8" x 7" carriage bolts with nuts and flat washers
- Eight 3/8" x 5 1/2" carriage bolts with nuts and flat washers
- Five pounds 16d galvanized box nails
- Four packages of **Wood Fasteners**

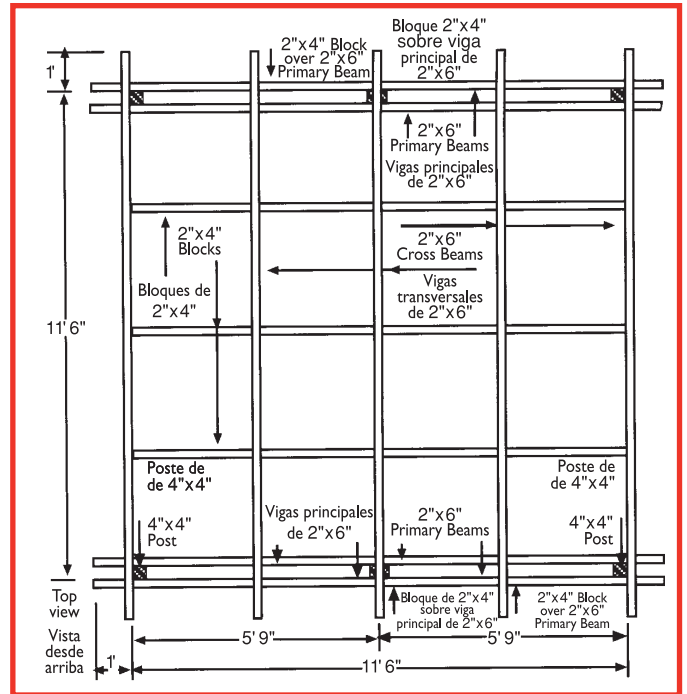
### Instructions:

1. Set posts in concrete leaving 8' above ground. Align and set plumb according to dimensions on the sketch.
2. Use string and line level to mark tops of posts. Cut four corner posts at the same level and the two middle posts 5 1/2" shorter.
3. Cut all nine beams 13'6" long. With the crown of the boards lined up, mark and cut the bottom edge of both ends at an angle as shown.
 

Top of beam

2"

8"
4. Measure down 11" from the top of each of the four corner posts and mark a level line all around the post.
5. Install a 2" x 6" primary beam above the lines on each side of the two sets of three posts. The top of these beams should be 5 1/2" down on the corner posts and flush with the middle posts. The beams can be clamped to the posts and then through-bolted. One foot of the beam should extend past the corner posts.
6. Install a cross beam on each end of the structure and through-bolt to the corner posts.
7. Install the center beam over the two middle posts and toenail to them.
8. Install two remaining cross beams. Center them in the remaining spaces.
9. Cut and install 2" x 4" blocks between cross beams flush with the beam tops. All five blocks between any two adjacent beams should be the same lengths.
10. Cut two 6' x 12' pieces of **Sun Screen Fabric**. Overlap them 1 1/2" on the center cross beam and fasten with **Wood Fasteners**. Stretch toward outside and fasten to all cross beams and blocks as you work across the frame. Trim excess fabric along the outside edges of the frame.





# Sun Screen Fabric PROJECTS • PROYECTOS

## Greenhouse

This example is for a 6'x8' greenhouse. Materials can be varied to construct other sizes. Pressure treated lumber is recommended.

### Tools:

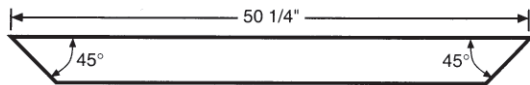
- Posthole digger
- String line
- Hammer
- Line level
- Wood saw
- Scissors
- Measuring tape
- 6' step ladder
- Combination square
- Utility knife
- Level

### Materials:

- Two 6'x25' rolls **Sun Screen Fabric**
- Four 4" x 4" x 8' posts
- Twelve 2" x 4" x 8' lumber
- Five 2" x 4" x 10' lumber
- Five 1" x 4" x 8' lumber
- One pair 3" x 3" square door hinges
- Four pounds 16d galvanized box nails
- One-half pound 4d galvanized box nails
- Seven packages of **Wood Fasteners**
- Four sacks concrete mix

### Instructions:

1. Set four corner posts 2' deep in concrete, align and plumb.
2. With string and line level, mark tops of posts level and cut off.
3. Cut and nail a 2" x 4" band around the outside of the posts flush with the post tops. Do the same at ground level.
4. Nail a 2" x 4" x 8' rafter plate on top of the posts and flush with the outside of the band on the two 8' sides.
5. Nail two 2" x 4" x 8' to the inside of the top and bottom bands to form a 2' door opening in the center of one of the 6' ends.
6. Cut 10 rafters, 50 1/4" long at the longest point with a 45° angle on each end.



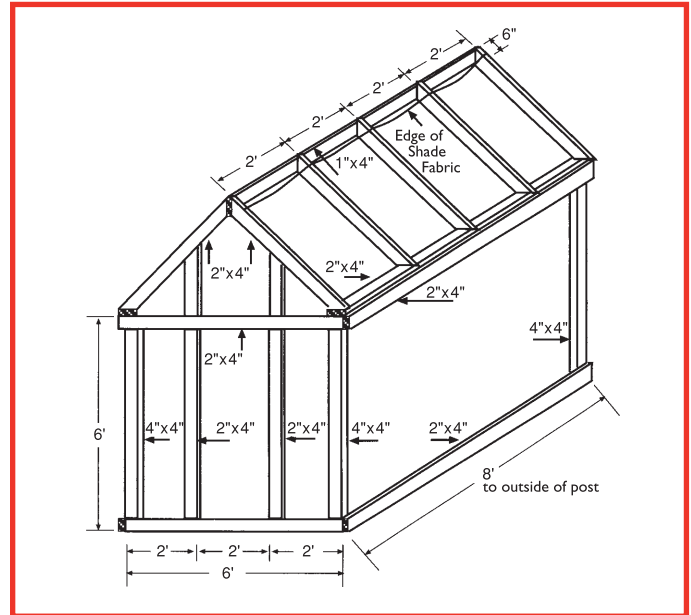
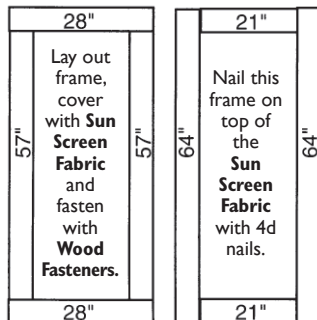
7. Use a 1" x 4" x 8' as a ridge and install the rafters in pairs, one pair every 2'. The pair over the door should nail to the studs on either side of the door.
8. Starting at the door opening, wrap the inside of the walls with **Sun Screen Fabric**, fastening it to the top 2" x 4" band with **Wood Fasteners**. Then fasten to bottom band, corner posts and studs at door.
9. Cut two 6' x 8' pieces of **Sun Screen Fabric** for the roof. Lay one piece 6" past the ridge, fasten to the rafters on the opposite side, stretch down and fasten with **Wood Fasteners** to ridge, rafters and rafter plate. Repeat on the other side. Trim off excess fabric along rafter plate.

10. Cover gable ends with **Sun Screen Fabric**. Fasten with **Wood Fasteners** and trim off excess.

11. Construct door from four 1" x 4" x 8' and 28" x 71" piece of **Sun Screen Fabric**.

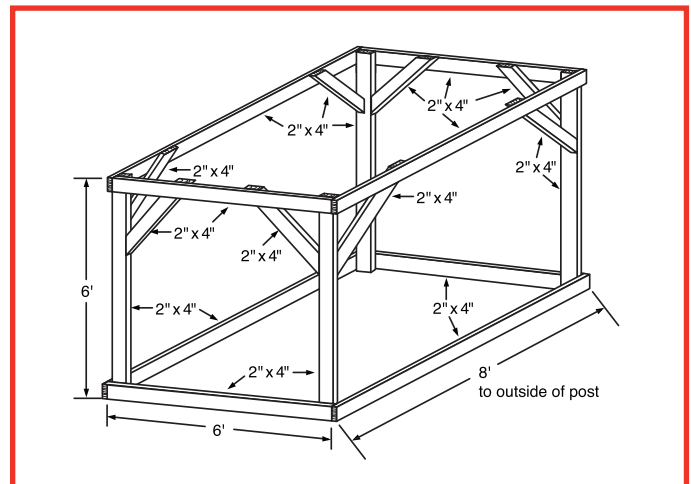
Cut: Two 1" x 4" x 28"  
Two 1" x 4" x 57"  
Two 1" x 4" x 21"  
Two 1" x 4" x 64"

12. Center door opening and hang with 3" x 3" hinges.



## Garden Shade Structure

Using similar tools and materials as those for the greenhouse, a simpler and more basic structure can be fabricated to provide shade over a 6' x 8' garden space (see diagram below). Materials can be varied to build other sizes. Constructed entirely out of pressure treated 2x4 lumber, depending upon short or long-term needs, posts may not need to be set in concrete. This frame is primarily designed for attaching Sun Screen Fabric across its flat top; however, side panels may be added to block the sun when it is at a low angle.







## Playhouse and Sandbox

This example is 4' wide and 19' long. Materials can be varied to build other sizes. Pressure treated lumber is recommended. Construction screws of appropriate lengths can be substituted for nails.

### Tools:

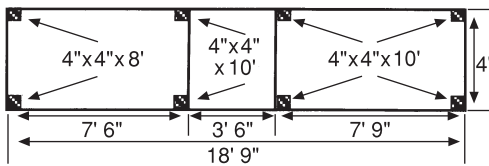
- Posthole digger
- Line level
- Hammer
- 3/8" electric drill
- Wood saw
- 5/16" and 1" wood bits
- Measuring tape
- 8" adjustable wrench
- Combination square
- 6' step ladder
- Level
- Two 8" C-clamps
- String line
- Utility knife

### Materials:

- One 6' x 25' roll **Sun Screen Fabric**
- Six 4" x 4" x 10' posts
- Two 4" x 4" x 8' posts
- Two 2" x 6" x 12' lumber
- Eight 2" x 6" x 8' lumber
- Eleven 2" x 4" x 8' lumber
- Twenty-four 1" x 6" x 8' lumber
- Three 1" x 36" hardwood dowels
- Forty 5/16" x 5 1/2" carriage bolts with nuts and flat washers
- Eight sacks of concrete mix
- Eight 2" x 4" joist hangers
- Five pounds 16d galvanized box nails
- Two pounds 8d galvanized box nails
- Two pounds 6d galvanized box nails
- Three packages **Wood Fasteners**

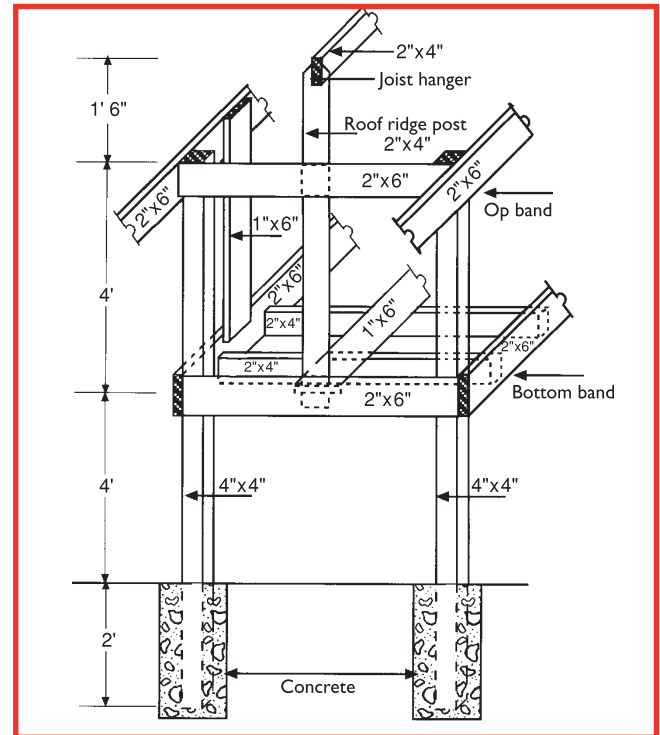
### Instructions:

1. Set posts 2' deep in concrete. Make certain they are carefully aligned and plumb.



2. Using string and line level, mark the tops of the six tall posts level and cut them to the same height. Do the same for the two shorter posts.
3. Measure down 4' from the tops of the tall post and mark on the outside of the posts. Install a 2" x 6" band around the outside of the posts above this line. Through-bolt the 2" x 6" x 8', two bolts per post and nail the 2" x 6" x 4' boards with 16d nails to the posts.
4. Through-bolt a 2" x 6" x 12' to the outside of the three tall posts flush with their tops, two bolts per post. Make sure the dimensions match those in the sketch. Repeat for the other three posts.
5. Nail three 2" x 6" x 4' between the pairs of tall posts at their tops with 16d nails to complete the band around the top.
6. Cut two 2" x 4" x 8' to 5'6" for the roof ridge poles. Point the top ends by cutting the corners at 45° angles. Center on the two 4' bands and fasten, one pole at each end of the playhouse.
7. Cut a 2" x 4" x 8' to fit between the tops of the ridge poles and fasten to their tops with joist hangers.
8. Construct a 2" x 4" band around the outside of the tops of the four posts around the sandbox. The high end will be below the 2"x6" band and the lower end should be flush with or slightly above the tops of the two shorter posts. Nail with 16d nails.
9. Construct a 2" x 6" band on the ground to form the sandbox. Through-bolt all four sides (two bolts at each end of each board) to the outside of the posts.
10. Install five 2" x 4" x 4' floor joists for the playhouse floor. Nail the two end joists to the posts, flush with the bottom of the 2" x 6" band. Three other joists should be evenly spaced between these and fastened to the 2" x 6" band with joist hangers.
11. Cut the 1" x 6" x 8' floor boards to length and nail with 8d nails to the floor joists. Leave approximately 1/2" space between boards. Notch floor boards around posts and ridge poles.

12. Decide where the ladder to the playhouse is to be located. Wall up the other areas from the inside with 1" x 6" x 4'. Leave approximately 2" between boards. Nail to the top and bottom band with 6d nails.
13. The ladder is constructed from two 2" x 4" x 8' and six 1 1/2" long 1" dowels. One foot of the bottom of the ladder should be set into the ground to prevent shifting. A 2" x 4" can also be nailed between the bottom of the posts to stabilize the bottom of the ladder. From ground level on the rails, measure up 8", 16", 24", etc. to 48" and mark the center of the 3 1/2" face of the rails at these points. Bore 1" holes for the rungs. Insert the rungs and secure by nailing through the 1 1/2" edge of the rail into the end of the rung with 8d nails. Through-bolt the rails to the 2" x 6" band at the floor height. Three feet of the rails should extend above the floor level.
14. Cut a 6' x 8' piece of **Sun Screen Fabric** to cover the playhouse roof. Center on the ridge and fasten to it with **Wood Fasteners**. Stretch down to each side and fasten to top 2" x 6" band with **Wood Fasteners**. Trim off excess.
15. Cut a 6' x 9' piece of **Sun Screen Fabric** to cover the sandbox. Fasten to 2" x 4" band with **Wood Fasteners**. Trim off excess.
16. Cut a 6' x 4' piece of **Sun Screen Fabric** to complete the center roof. Fasten to 2" x 6" band with **Wood Fasteners**. Trim off excess.





## Privacy Fence

This example is for a 6' high fence in 8' long sections. Materials can be varied to construct a taller fence in 6' sections. Pressure treated lumber is recommended.

### Tools:

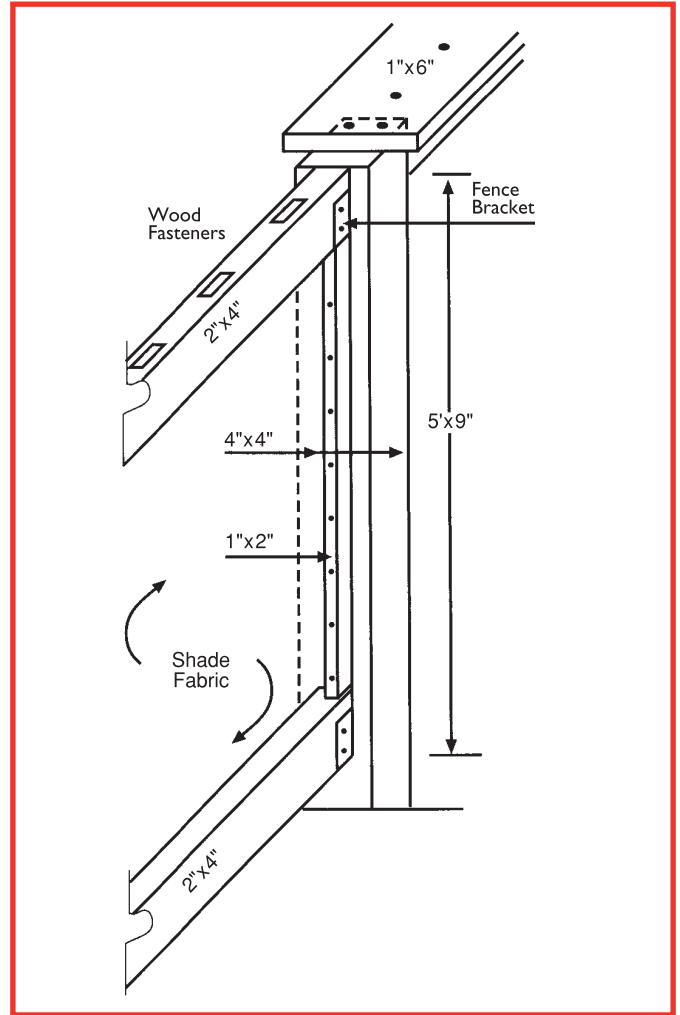
- Posthole digger
- Scissors
- Hammer
- Level
- Wood saw
- Utility knife
- Measuring tape
- 6' stepladder

### Materials required for each 8' section:

- 6' roll **Sun Screen Fabric** as long as fence desired
- 4" x 4" x 8' pressure treated posts — one post to start fence and one additional post for each 8' section.
- Two 2" x 4" x 8' lumber
- One 1" x 6" x 8' lumber
- Two 1" x 2" x 8' lumber
- Four metal fence brackets
- One sack of concrete mix per post
- One-half pound 8d galvanized box nails
- One-half package **Wood Fasteners**

### Instructions:

1. Determine location of 4"x4" posts. Have no more than 7'6" between posts.
2. Set posts 2' deep in concrete. Make sure they are properly aligned, spaced and plumb.
3. Cut a 2" x 4" rail to fit between the tops of the first two posts and install flush with the tops of the posts using fence brackets.
4. Measure down from the top of the posts 5'9" and mark. Install fence brackets above these marks.
5. Cut a 2" x 4" rail to fit into these lower brackets but do not nail in place.
6. Cut a length of **Sun Screen Fabric** 4" longer than the distance between the posts (7' - 10' in our example).
7. Fasten one 7' - 10' side to the bottom edge of the bottom 2" x 4" rail using **Wood Fasteners**. The fabric should extend 2" beyond the ends of the rail.
8. Install the bottom 2" x 4" rail and nail in place.
9. Stretch the **Sun Screen Fabric** up over the top rail and fasten to the top edge with **Wood Fasteners**.
10. Cut a 1" x 6" cap to extend to the center of the post. All splices should be on top of the posts. Nail to posts and top rail.
11. Cut 1" x 2" furring strips between the rails. Fold **Sun Screen Fabric** under 1" x 2" and nail to post.
12. Trim off excess **Sun Screen Fabric** with utility knife.
13. Repeat procedures for remaining sections.





## Roll-up Shade

This example is for a 6' x 6' shade. Materials can be varied to construct shades 6' high and of any desired width or 6' wide and any height.

### Tools:

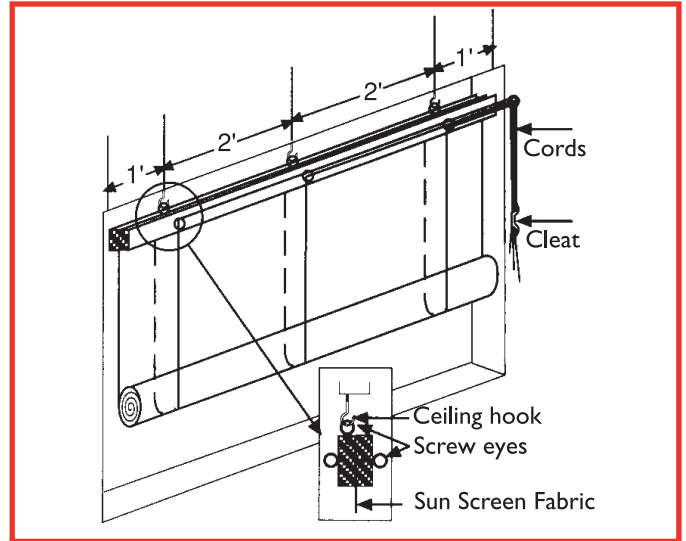
- Hammer
- Wood saw
- Measuring tape
- Screwdriver
- Scissors

### Materials:

- One 6' x 6' piece **Sun Screen Fabric**
- Two 1" x 2" x 8' wood furring strips for top
- Two 1" x 8' wood half-rounds for bottom
- One-half pound 1 1/4" galvanized drywall nails
- Ten #10 screw eyes
- Three #8 ceiling hooks
- One rope cleat
- 50' of 1/8" braided nylon cord.

### Instructions:

1. Cut furring strips and half-rounds to 6' lengths.
2. Sandwich one cut edge of **Sun Screen Fabric** between the two furring strips and nail the strips together. Repeat with the half-rounds on the opposite cut edge.
3. Insert screw eyes into laths as shown on the sketch.
4. Tie nylon cord to one screw eye. Pass it under shade and up through opposite screw eye. Leave sufficient cord to pass to side of shade as shown.
5. Hang shade from ceiling hooks.
6. Locate remaining screw eye to side of top rail of shade.
7. Place cleat at convenient position to hold cords.



Easy Gardener has tried to make the contents of this brochure as accurate and correct as possible. However, due to the variability of local conditions, construction materials, personal skill, etc., Easy Gardener, its vendors and distributors assume no responsibility for the appropriateness of these plans and designs. All illustrations and plans should be carefully studied and clearly understood before beginning construction. Always read the instructions and safety precautions accompanying any tool and follow them exactly. Always make certain the workplace is safe and tools are in proper condition. Obey all local laws and codes. All projects involve some risks and require good judgement. Children should be carefully supervised in the construction and/or use of any structure. Easy Gardener, its vendors and distributors provides no warranties of any kind, express or implied regarding the construction or use of any of the ideas, plans or designs described or illustrated in the brochure and shall not be responsible or liable for any injuries incurred during the construction and/or use of those ideas, plans or designs.