



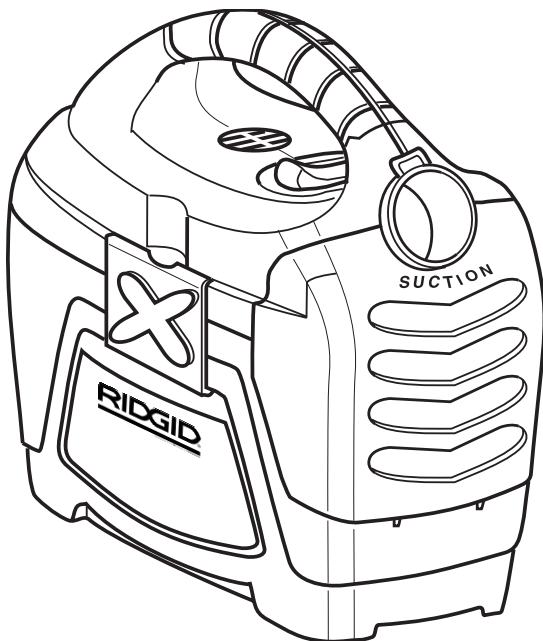
OWNER'S MANUAL

3 U.S. GALLON/11.3 LITER
18 VOLT, CORDLESS
WET/DRY VAC

Battery & Charger Sold Separately

Use Only RIDGID® 18V Battery

WD03180



FOR QUESTIONS OR INFORMATION CONTACT US AT
1-800-4-RIDGID (1-800-474-3443) from the US and Canada
01-800-701-9811 from Mexico
www.ridgidvacs.com

▲ WARNING:

To reduce the risk of injury, the user must read and understand the owner's manual before using this product.

Thank you for buying a RIDGID product.

- Español - página 15
- Français - page 29

SAVE THIS MANUAL FOR FUTURE REFERENCE

Table of Contents

Section	Page	Section	Page
Introduction	5	Maintenance	11
Checking Carton Contents	5	Filter Removal	11
Getting to Know Your Vac	6	Filter Installation	11
Hose & Accessory Storage	6	Filter	12
Operation	7	Cleaning a Dry Filter	12
Vacuuming Dry Materials	8	Cleaning a Wet Filter	12
Vacuuming Liquids	8	Cleaning & Disinfecting the Wet/Dry Vac	12
Emptying the Drum	9	Storage	13
Blowing Feature	9	Repair Parts	13
Battery Installation	10	Warranty	14
Installation of Battery	10		
Removal of Battery	10		

IMPORTANT SAFETY INSTRUCTIONS

Safety is a combination of common sense, staying alert, and knowing how your Wet/Dry vacuum cleaner ("Vac") works.

Safety Signal Words

⚠ DANGER: Indicates a hazardous situation which, if not avoided, will result in death or serious injury.

⚠ WARNING: Indicates a hazardous situation which, if not avoided, could result in death or serious injury.

⚠ CAUTION: Indicates a hazardous situation which, if not avoided, could result in minor or moderate injury.

When using your Vac, always follow basic safety precautions including the following:

⚠ WARNING

- To reduce the risk of fire, electric shock, or injury:

- Read and understand this manual and all labels on the Wet/Dry Vac before operating.
- Use only as described in this manual.
- Do not leave the Vac running while unattended - you may fail to notice important signs indicating abnormal

operation such as loss of suction, debris/liquid exiting exhaust, or abnormal motor noises. Immediately stop using the Vac if you notice these signs.

- Use only the batteries specified in this manual. See "Battery Installation" section.
- Sparks inside the motor can ignite flammable vapors or dust. To reduce the risk of fire or explosion, do not use near combustible liquids, gases, or dusts, such as gasoline or other fuels, lighter fluid, cleaners, oil-based paints, natural gas, coal dust, magnesium dust, grain dust, aluminum dust, and gun powder.
- Do not vacuum anything that is burning or smoking, such as cigarettes, matches, or hot ashes.
- To reduce the risk of inhaling toxic vapors, do not vacuum or use near toxic or hazardous materials.
- To reduce the risk of electric shock, do not expose Vac or batteries to rain. Store indoors.
- Do not allow to be used as a toy. Close attention is necessary when used by or near children.

- Do not use with a torn filter or without the filter installed except when vacuuming liquids as described in this manual. Dry debris ingested by the impeller may damage the motor or be exhausted back into the air.
- Do not handle the switch, Vac, or battery with wet hands.
- Do not put any object into ventilation openings. Do not vacuum with any ventilation openings blocked; keep free of dust, lint, hair or anything that may reduce air flow.
- Keep hair, loose clothing, fingers, and all parts of body away from openings and moving parts.
- To reduce the risk of falls, use extra care when cleaning on stairs.
- To reduce the risk of personal injury or damage to Vac, use only RIDGID recommended accessories.
- When using as a blower:
 - Direct air discharge only at work area.
 - Do not set down in liquid; electric shock could occur.
 - Do not direct air at bystanders.
 - Keep children away when blowing.
 - Do not use blower for any job except blowing dirt and debris.
 - Do not use as a sprayer.
 - Wear safety eyewear.
- To reduce the risk of eye injury, wear safety eyewear. The operation of any utility Vac or blower can result in foreign objects being blown into the eyes, which can result in severe eye damage.

▲ CAUTION:

- To reduce the risk of hearing damage, wear ear protectors when using for extended time or in a noisy area.
 - For dusty operations, wear dust mask.
 - Static shocks are common when the relative humidity of the air is low. Vacuuming fine debris with your Vac can deposit static charge on the hose or Vac. To reduce the frequency of static shocks or when using this Vac, add moisture to the air with a humidifier.
-

Observe the following warnings that appear on the Wet/Dry Vac:

▲ WARNING:

- **Only use RIDGID Battery Numbers R84008, R840083, R840084, R840085, R840086 and R840087.**
- **For your own safety, read and understand Owner's Manual. Do not run unattended. Do not pick up hot ashes, coals, toxic, flammable or other hazardous materials. Do not use around explosive liquids or vapors.**
- **Do not expose to rain. Store indoors. To reduce the risk of electric shock, do not handle battery with wet hands or place wet battery into charger.**

Important Safety Instructions for Battery & Charger

▲ WARNING

- **To reduce the risk of fire, electric shock, battery explosion, or injury due to battery / charger operation:**

- Read all instructions on the battery and on the charger before using.
- Use only battery specified for the Vac.
- Recharge battery only using the specified charger for the battery.
- Never use a battery that has been dropped or received a sharp blow. A damaged battery is subject to explosion. Properly dispose of a damaged battery immediately.
- To avoid the risk of explosion, do not expose the batteries to fire or heat.
- To reduce the risk of sparks, burns, or fire, do not allow metal objects such as paper clips or keys to come into contact with the battery terminals.
- Batteries should be charged in a location where the temperature is between 40°F and 100°F.
- Battery must be dry when installed on the charger.
- Do not store batteries outside or in vehicles.
- Do not expose charger to wet or damp conditions. Do not handle charger with wet hands. Store indoors.
- To reduce the risk of damage to the charger body and cord, pull by the plug rather than cord when unplugging.
- Locate charger cord so that it will not be stepped on, tripped over, or otherwise subjected to damage or stress.
- Do not abuse cord. Never carry charger by cord or yank it to unplug from receptacle. Keep cord from heat, oil, and sharp edges.

- Use of extension cords in poor condition or that are too small in wire size can pose fire and shock hazards. To reduce the risk of these hazards, be sure the extension cord is in good condition and that the connection does not come into contact with liquid. Use cord with 16 AWG or larger and no longer than 100 feet in length.
- Do not operate charger with a damaged cord or plug. If damaged, have it replaced by a qualified technician.
- Do not operate charger if it has received a sharp blow, has been dropped, or is otherwise damaged. Have it inspected by a qualified technician before using.
- Do not disassemble charger. Take it to a qualified technician if service or repair is necessary.
- To reduce the risk of electric shock, unplug charger before attempting any maintenance or cleaning.
- Unplug charger when not in use.

▲ WARNING: Batteries vent hydrogen gas and can explode in the presence of an ignition source, such as a pilot light. To reduce the risk of explosion, do not use any cordless product in the presence of open flame.

▲ WARNING: Under extreme usage or temperature conditions, battery leakage may occur. If liquid comes in contact with your skin, wash immediately with soap and water, then neutralize with lemon juice or vinegar. If liquid gets into your eyes, flush them with clean water for at least 10 minutes, then seek immediate medical attention.

SAVE THIS MANUAL

Introduction

This Cordless Wet/Dry Vac is intended for household use. It may be used for light vacuuming of wet or dry media and may be used as a blower. The light weight design allows usage for most small

household vacuuming chores. Familiarize yourself with the following product and features and read the entire owner's manual for specific usage of your new Wet/Dry Vac.

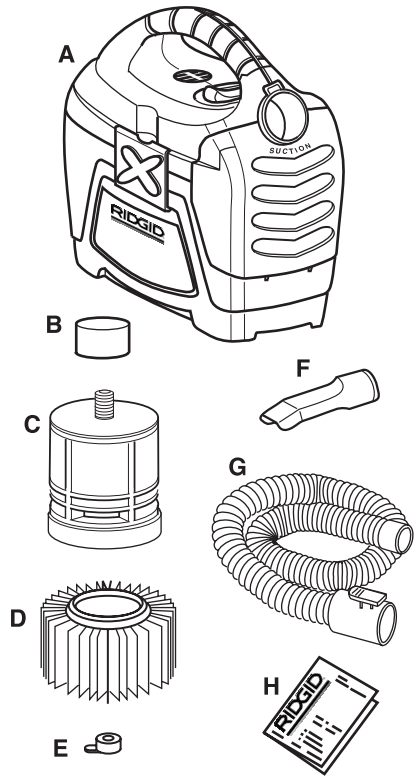
Checking Carton Contents

Remove contents of carton. Check each item against the Carton Contents List. Contact 1-800-4-RIDGID (1-800-474-3443) from the US and Canada, 01-800-701-9811 from Mexico. E-mail us at info@ridgidvac.com or www.ridgidvac.com if any parts are damaged or missing.

Carton Contents List

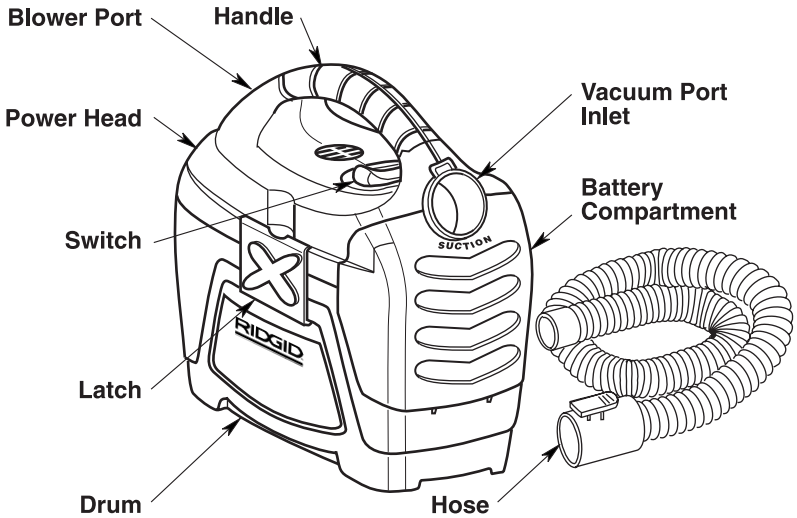
Key	Description	Qty
A	3-Gallon Cordless Wet/Dry Vac ...	1
B*	Float	1
C*	Filter Cage	1
D*	Filter	1
E*	Filter Nut	1
F	Multi-Purpose Tool	1
G	Expandable Hose.....	1
H	Owners Manual.....	1

* These items may come preassembled. If they are not present in the carton, check the vac power head to see if they are preassembled.



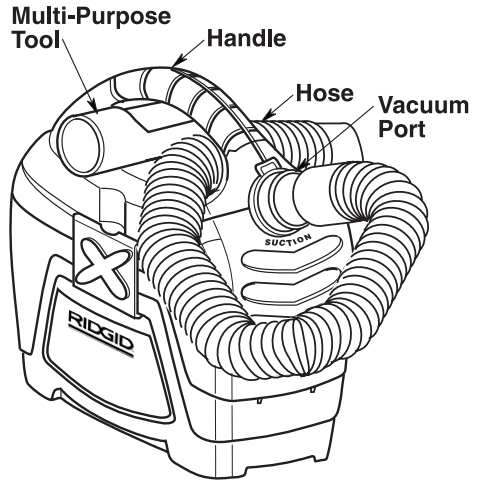
Getting to Know Your Vac

Familiarize yourself with the controls and features of your cordless Wet/Dry Vac before operating.



Hose & Accessory Storage

1. Your Vac has a convenient area to store the Vac hose.
2. Wrap the one end of the hose under the handle of the power head and slide into the hose storage area. Snap the other end of the hose into the inlet port of the power head.
3. Place the multi-purpose tool into the depressed storage area under the handle.



Operation

⚠ WARNING: To reduce the risk of fire, explosion, or damage to Vac:

- Do not leave Vac running while unattended - you may fail to notice important signs indicating abnormal operation such as loss of suction, debris/liquid exiting the exhaust, or abnormal motor noises. Immediately stop using Vac if you notice these signs.
- Do not continue running when float has cut off suction.
- Sparks inside the motor can ignite airborne flammables. Do not operate Vac near flammable liquids or in areas with flammable gases, vapors, or explosive/airborne dust. Flammable liquids, gases, and vapors include: lighter fluid, solvent-type cleaners, oil-based paints, gasoline, alcohol, and aerosol sprays. Explosive dusts include: coal, magnesium, aluminum, grain, and gun powder.
- Do not vacuum up explosive dusts, flammable liquids, or hot ashes.

⚠ WARNING: To reduce the risk of electric shock or injury:

- Do not expose to rain or allow liquid to enter motor compartment. Store indoors.
- Do not handle plug, switch, or Vac with wet hands.
- Remove battery before servicing. If your Vac is not working as it should, has missing parts, has been dropped, damaged, left outdoors, or dropped into water, return it to an independent service center or call customer service.

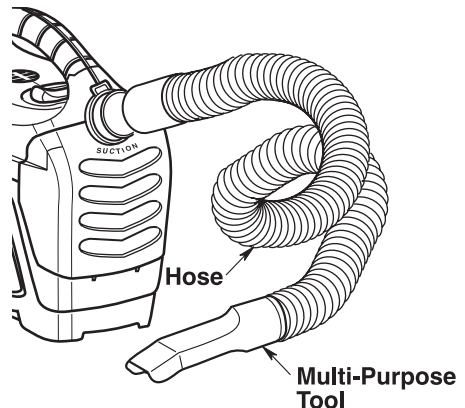
After you install the battery, turn the unit on by pushing the switch from position "O" to position "I".

○ = OFF | = ON

Familiarize yourself with the accessories included with the Vac. Each accessory may be used in various ways for vacuuming and blowing debris. Here is a list of the accessories and their uses.

Multi-Purpose Tool - Dry pickup nozzle for car interiors and most upholstery cleaning.

Hose - Provides transfer of vacuum or blowing capability to work site. Provides the means of attaching the multi-purpose tool.



Operation (continued)

Vacuumping Dry Materials

1. The filter must always be in correct position at all times to avoid leaks and possible damage to Vac.
2. When using your Vac to pick up very fine dust, it will be necessary for you to empty the drum and clean the filter at more frequent intervals to maintain peak Vac performance.

NOTE: The paper filter must be dry in order to pick up dry material. If you use your Vac to pick up dust when the filter is wet, the filter will clog quickly and be very difficult to clean.

▲ WARNING: Do not remove the filter cage and float. The float prevents water from entering the impeller and damaging the motor. The cage prevents fingers from touching the moving impeller.

Vacuumping Liquids

1. When picking up small amounts of liquid (up to one inch in the bottom of the drum) the filter may be left in place.
2. When picking up large amounts of liquid (more than one inch in the bottom of the drum) we recommend that the filter be removed. If the filter is not removed, it will become saturated and misting may appear in the exhaust.
3. When the liquid in the drum reaches a predetermined level, the float mechanism will rise automatically to cut off airflow. You will know that the float has risen because Vac airflow ceases and the motor noise will become higher in pitch, due to increased motor speed. When this happens, turn off the Vac, remove the battery and empty the drum.
4. After using the Vac to pick up liquids, the filter must be dried to avoid possible mildew and damage to the filter.

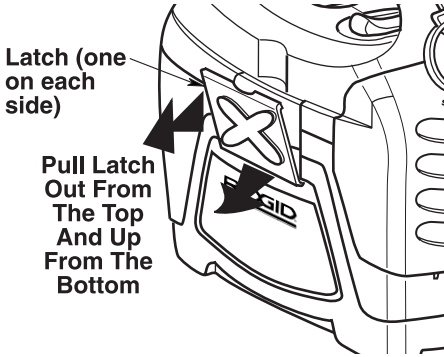
IMPORTANT: To avoid damage to the Vac, do not run motor with float in raised position.

Operation (continued)

Emptying the Drum

⚠ WARNING: To reduce the risk of injury from accidental starting, remove battery before emptying the drum.

1. To remove the lid, grasp the drum latches on both the right and left side of the power head. Slowly pull the drum latches out and up from the drum. Lift the power head off the drum. Place the lid assembly to the side.



2. Lay the power head on a clean dry area while emptying the drum or changing the filter.
3. Dump the drum contents into the proper waste disposal container.



Blowing Feature

Your Wet/Dry Vac has the capability to blow sawdust and other debris and to be used as a blower for yard work, patio cleanup and workshop applications.

NOTE: The blowing port is located opposite the vacuum port.

⚠ WARNING: Always wear safety eyewear complying with ANSI Z87.1 (or in Canada, CSA Z94.3) before using as a Blower.

⚠ WARNING: To reduce the risk of injury to bystanders, keep them clear of blowing debris.

⚠ CAUTION: Wear a dust mask if blowing creates dust which might be inhaled.

⚠ CAUTION: To reduce the risk of hearing damage, wear ear protectors when using the Vac/Blower for extended time or in a noisy area.

Battery Installation

⚠ WARNING: Turn unit OFF before removing/installing the battery.

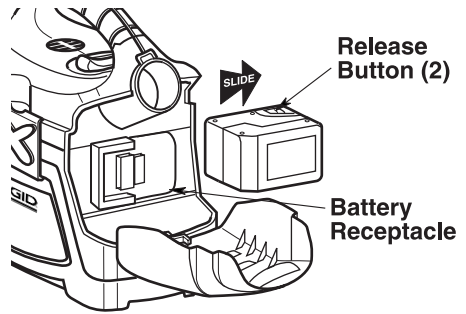
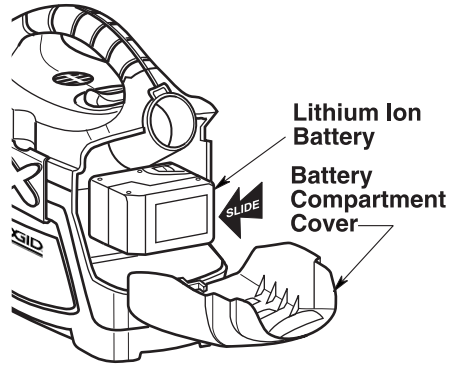
NOTE: Lithium Ion Battery and Charger sold separately.

Installation of Battery

NOTE: Use ONLY RIDGID brand 18 volt batteries.

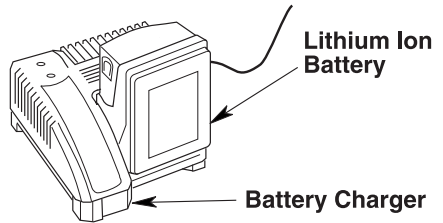
WD03180 will operate with the following types of batteries: 18V Battery Numbers R84008, R840083, R840084, R840085, R840086 and R840087.

1. While holding the Wet/Dry Vac's handle with one hand, pull open the battery compartment cover.
2. Slide the fully charged battery into the battery receptacle until you hear an audible click. Do not push the release buttons on the battery at this time.



Removal of Battery

1. Press both release buttons, located on each side of the battery, at the same time and slide battery out of the battery receptacle.
2. Plug charger into a wall receptacle and place battery into the charger to recharge the battery.



⚠ WARNING: To reduce the risk of electric shock, do not handle battery with wet hands or place wet battery into charger.

Maintenance

Filter Removal

1. Grasp the drum latches on both the right and left side of the power head. Slowly pull the drum latches out and up from the drum. Lift the power head off the drum. Place the lid assembly to the side.
2. To remove the filter for cleaning or replacement, unscrew the filter nut from the filter cage. Hold the filter tabs in each hand.
3. With one thumb on the threaded screw, which protrudes through the integrated filter plate, lift up on the filter tabs while pushing down on the screw.
4. This action will cause the filter to release from the filter cage. Slide filter off cage.

⚠ WARNING: Do not remove the filter cage and float. The float prevents water from entering the impeller and damaging the motor. The cage prevents fingers from touching the moving impeller.

Filter Installation

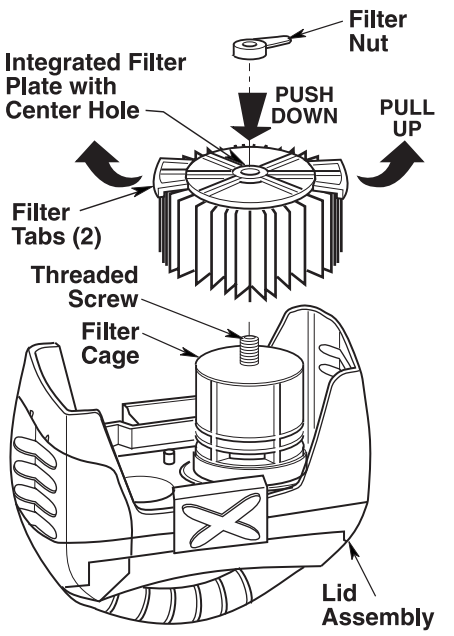
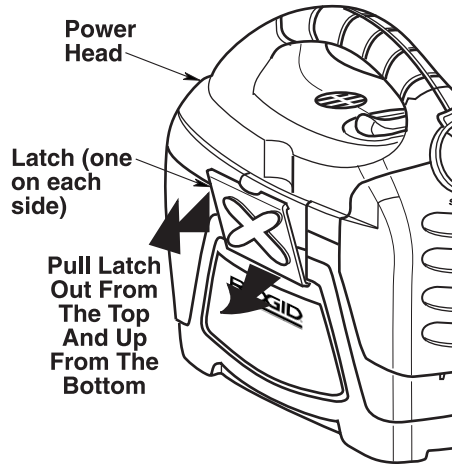
1. Carefully slide the filter over the filter cage and press down on the outside edge of the filter until the rubber gasket on the bottom of the filter seats securely around the base of the filter cage and against the lid.
2. Align the small center hole in the top of the filter over the threaded stud on the filter cage allowing it to protrude through.

NOTE: The filter will take the shape of the oval filter cage when in place.

3. Place filter nut onto threaded screw and tighten it down. Finger tighten only.

NOTE: Lever of filter nut should be away from filter cap as shown.

IMPORTANT: Do not overtighten as this may deform or crack the filter cage or filter.



4. To assemble the power head to the drum, position power head over drum, with drum latches lined up with recess in drum. (The power head will only fit on the drum one way).
5. Position bottom of the latch in drum recess. Push top of latch towards power head to lock.
6. Your Vac is now ready to use.

Maintenance (continued)

Filter

⚠ WARNING: To reduce the risk of injury from accidental starting, remove battery before changing filter.

NOTE: The filter is made of high quality paper designed to stop very small particles of dust. The filter can be used for dry pick up or small amounts of liquid. Handle the filter carefully when removing to clean or installing it. Creases in the filter pleats may occur from installation but will not affect the performance of the filter.

IMPORTANT: To avoid damage to the blower wheel and motor, always reinstall the filter before using the Vac for dry material pickup.

Cleaning A Dry Filter

NOTE: For best cleaning results due to accumulated dust, clean the filter in an open area. Cleaning SHOULD be done outdoors and not in the living quarters.

1. Light cleaning of some dry debris from the filter can be accomplished without removing the filter from the vac. Simply slap your hand on top of the handle while the vac is turned off.
2. Remove filter from vac. Gently tap the filter against the inside wall of your dust drum and the debris will loosen and fall.
3. For thorough cleaning of a dry filter with fine dust (no debris) you may run water through it as described under "Cleaning A Wet Filter" Section.

Cleaning A Wet Filter

After filter is removed, run water through the filter from a hose or spigot. Take care that water pressure from the hose is not strong enough to damage filter.

IMPORTANT: After cleaning, check the filter for tears or small holes. Do not use a filter with holes or tears in it. Even a small hole can cause a lot of dust to come out of your Vac. If your filter is damaged or worn, **replace it immediately.**

Allow the filter to dry before reinstalling and storing the Vac or picking up dry debris.

Cleaning and Disinfecting the Wet/Dry Vac

To keep your Wet/Dry Vac looking its best, clean the outside with a cloth dampened with warm water and mild soap.

To clean the drum:

1. Dump debris out.
2. Wash drum thoroughly with warm water and mild soap.
3. Wipe out with dry cloth.

Before prolonged storage or as needed (i.e., waste water pick up) the drum should be disinfected.

Maintenance (continued)

To disinfect the drum:

1. Pour 1 gallon of water and 1 teaspoon chlorine bleach into the drum.
2. Let solution stand for 20 minutes, carefully swishing every few minutes, making sure to wet all inside surfaces of the drum.
3. Empty drum after 20 minutes. Rinse with water until bleach smell is gone. Allow drum to dry completely before sealing the motor on the drum.

Storage

Before storing your Vac, the drum should be emptied and cleaned. Accessories should be kept in the same area as the Vac so they can be readily available. The Vac should be stored indoors.

⚠ WARNING: To assure product SAFETY and RELIABILITY, any other servicing or repairs and adjustments should be performed by Authorized Service Centers, always using RIDGID replacement parts.

Repair Parts

RIDGID 3 Gallon Cordless Wet/Dry Vac - Model Number WD03180

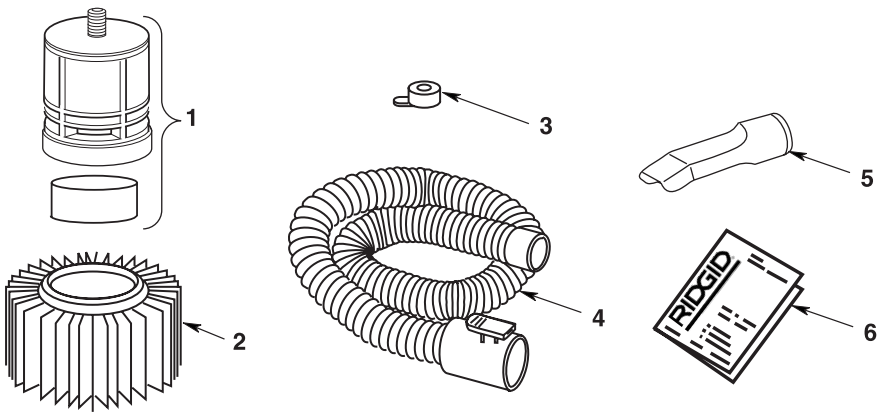
RIDGID parts are available on-line at www.ridgidvacs.com

Always order by Part Number - Not by Key Number

Key No.	Part No.	Description
1	832048	Filter Cage w/Float
2	VF3500	† Filter
3	73316	Filter Nut

Key No.	Part No.	Description
4	VT1721	Expandable Hose
5	VT1781	Multi-Purpose Tool
6	SP6920	Owners Manual

† These replacement parts may be available where you purchased your vac.





• **What is covered**

RIDGID® Wet/Dry Vacs are warranted to be free of defects in workmanship and material.

• **How long coverage lasts**

This warranty lasts for the lifetime of the RIDGID® Wet/Dry Vac.

• **How to obtain service**

To obtain the benefit of this warranty, deliver via prepaid transportation the complete product to RIDGE TOOL COMPANY, Elyria, Ohio, or any authorized RIDGID® INDEPENDENT SERVICE CENTER. Pipe wrenches and other hand tools should be returned to the place of purchase.

• **What we will do to correct problems**

Warranted Wet/Dry Vacs will be repaired or replaced, at Ridge Tool Company's option, and returned at no charge; or, if after three attempts to repair or replace during the warranty period the Wet/Dry Vac is still defective, you can elect to receive a full refund of your purchase price.

• **What is not covered**

Failures due to misuse, abuse or normal wear and tear are not covered by this warranty. **RIDGE TOOL COMPANY SHALL NOT BE RESPONSIBLE FOR ANY INCIDENTAL OR CONSEQUENTIAL DAMAGES.**

• **How local laws relate to the warranty**

Some states do not allow the exclusion or limitation of incidental or consequential damages, so the above limitation or exclusion may not apply to you. This warranty gives you specific rights, and you may also have other rights which vary from state to state, province to province, or country to country.

• **No other express warranty applies**

This FULL LIFETIME WARRANTY is the sole and exclusive warranty for RIDGID® Wet/Dry Vacs. No employee, agent, dealer, or other person is authorized to alter this warranty or make any other warranty on behalf of Ridge Tool Company.

Stock No. WD0318

Model No. WD03180

Serial No. _____

Model and Serial numbers may be found on a label inside the battery compartment. You should record both Model and Serial numbers in a safe place for future use.

**FOR QUESTIONS OR INFORMATION CONTACT US AT
1-800-4-RIDGID (1-800-474-3443) from the US and Canada
01-800-701-9811 from Mexico
www.ridgidvacs.com**

Please have your Model Number and Serial Number on hand when calling.



EMERSON™

Commercial & Residential Solutions



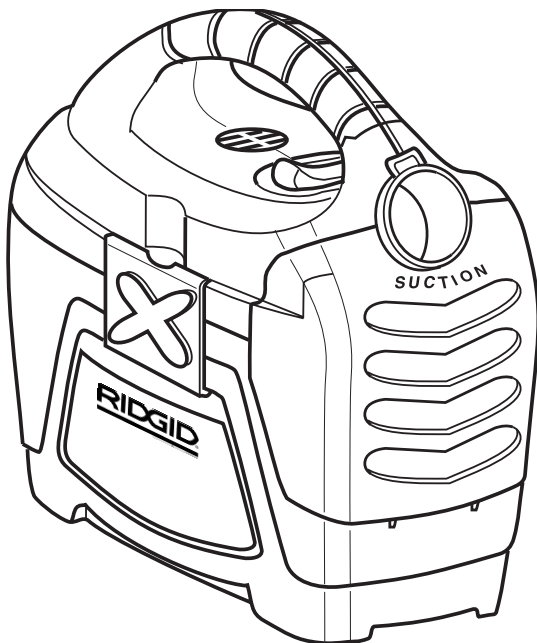
MANUAL DEL USUARIO

**ASPIRADORA PARA SECO/MOJADO
INALÁMBRICA DE 18 V
DE 3 GALONES EE.UU./11.3 LITROS**

La batería y el cargador se venden por separado

Use sólo la batería de 18 V RIDGID®

WD03180



**¿PREGUNTAS O COMENTARIOS? COMUNÍQUESE CON NOSOTROS EN
1-800-4-RIDGID (1-800-474-3443) desde los EE.UU. y Canadá
01-800-701-9811 desde México
www.ridgidvac.com**

▲ ADVERTENCIA: Para reducir el riesgo de lesiones, el usuario debe leer y entender el manual del usuario antes de utilizar este producto.

Gracias por comprar un producto RIDGID.

• Français - page 29

GUARDE ESTE MANUAL PARA REFERENCIA FUTURA

Índice

Sección	Página	Sección	Página
Introducción	19	Instalación de la batería	24
Comprobación del contenido de la caja de cartón	19	Remoción de la batería	24
Familiarización con la aspiradora	20	Mantenimiento	25
Almacenamiento de la manguera y los accesorios	20	Remoción del filtro	25
Funcionamiento	21	Instalación del filtro	25
Recogida de materiales secos con la aspiradora	22	Filtro	26
Recogida de líquidos con la aspiradora	22	Limpieza de un filtro seco	26
Vaciado del tambor para polvo	23	Limpieza de un filtro mojado	26
Dispositivo de soplado	23	Limpieza y desinfección de la aspiradora para mojado/seco	26
Instalación de la batería	24	Almacenamiento	27
		Piezas de repuesto	27
		Garantía	28

INSTRUCCIONES DE SEGURIDAD IMPORTANTES

La seguridad es una combinación de sentido común, permanecer alerta y saber cómo funciona la aspiradora para mojado/seco ("la aspiradora").

Palabras de señal de seguridad

▲ **PELIGRO:** indica una situación peligrosa que, si no se evita, **causará** la muerte o lesiones graves.

▲ **ADVERTENCIA:** indica una situación peligrosa que, si no se evita, **podría causar** la muerte o lesiones graves.

▲ **PRECAUCIÓN:** indica una situación peligrosa que, si no se evita, **podría causar** lesiones leves o moderadas

Cuando utilice la aspiradora, siga siempre las precauciones básicas de seguridad, incluyendo las siguientes:

▲ **ADVERTENCIA**

– **Para reducir el riesgo de incendio, sacudidas eléctricas o lesiones:**

- Lea y entienda este manual del usuario y todas las etiquetas que están colocadas en la aspiradora para mojado/seco antes de utilizarla.
- Utilice la aspiradora únicamente de la manera que se describe en este manual.
- No deje la aspiradora en marcha mientras esté desatendida. Usted podría no notar

señales importantes que indiquen un funcionamiento anormal, tal como pérdida de succión, residuos o líquido que salen por el escape o ruidos anormales del motor. Deje de usar la aspiradora inmediatamente si observa estas señales.

- Use sólo las baterías especificadas en este manual. Consulte la sección "Instalación de la batería".
- Las chispas que se producen en el interior del motor pueden incendiar los vapores inflamables o el polvo. Para reducir el riesgo de incendio o explosión: No use la aspiradora cerca de líquidos, gases, o polvos combustibles como gasolina u otros combustibles, líquido encendedor, limpiadores, pinturas a base de aceite, gas natural, hidrógeno, polvo de carbón, polvo de magnesio, polvo de aluminio, polvo de granos de cereal o pólvora.
- No recoja con la aspiradora nada que esté ardiendo o humeando, como cigarrillos, fósforos o cenizas calientes.
- Para reducir el riesgo de inhalar vapores tóxicos, no recoja con la aspiradora materiales tóxicos o peligrosos ni la use cerca de dichos materiales.
- Para reducir el riesgo de descargas eléctricas, no exponga la aspiradora ni las baterías a la lluvia. Almacénelas en un lugar interior.

- No permita que la aspiradora se utilice como un juguete. Se necesita prestar máxima atención cuando sea utilizada por niños o cerca de éstos.
- No use la aspiradora con un filtro desgarrado o sin tener el filtro instalado, excepto cuando recoja con ella líquidos de la manera que se describe en este manual. Los residuos secos absorbidos por el impulsor podrían dañar el motor o ser expulsados de vuelta al aire.
- No maneje el interruptor, la aspiradora ni la batería con las manos mojadas.
- No ponga ningún objeto en las aberturas de ventilación. No recoja nada con la aspiradora cuando cualquiera de las aberturas de ventilación esté bloqueada; mantenga dichas aberturas libres de polvo, pelusa, pelo o cualquier cosa que pueda reducir el flujo de aire.
- Mantenga el pelo, la ropa holgada, los dedos y todas las partes del cuerpo alejados de las aberturas y de las piezas móviles.
- Para reducir el riesgo de caídas, tenga cuidado adicional al limpiar en escaleras.
- Para reducir el riesgo de lesiones corporales o daños a la aspiradora, utilice únicamente accesorios recomendados por RIDGID.
- Cuando utilice la aspiradora como soplador:
 - Dirija la descarga de aire solamente hacia el área de trabajo.
 - No deposite la unidad en líquido; el resultado podría ser descargas eléctricas.
 - No dirija el aire hacia las personas que estén presentes.
 - Mantenga alejados a los niños durante la operación de soplado.
 - No utilice el soplador para trabajos que no sean soplar suciedad y residuos.
 - No use la aspiradora como rociador.
 - Use protección ocular de seguridad.
- Para reducir el riesgo de lesiones en los ojos, use protección ocular de seguridad. La utilización de cualquier aspiradora utilitaria o soplador utilitario puede hacer que se soplen objetos extraños hacia los ojos, lo cual puede causar daños graves en los ojos.

▲ PRECAUCIÓN:

- Para reducir el riesgo de daños a la audición, use protectores de oídos cuando utilice la aspiradora durante muchas horas seguidas o cuando la emplee en un área ruidosa.
- Para operaciones que generan polvo, use una máscara antipolvo.
- Las descargas de estática son comunes cuando la humedad relativa del aire es baja. Si recoge residuos finos con la aspiradora, se puede depositar carga estática en la manguera o en la aspiradora. El mejor remedio para reducir la frecuencia de las descargas de estática en su casa o cuando use esta aspiradora es añadir humedad al aire con un humidificador.

Haga caso de las siguientes advertencias que aparecen en la aspiradora para seco/mojado:

▲ ADVERTENCIA:

- **Use sólo los números de batería RIDGID R84008, R840083, R840084, R840085, R840086 y R840087.**
- **Para su propia seguridad, lea y entienda el manual del usuario. No deje desatendida la aspiradora mientras esté en marcha. No recoja cenizas calientes, brasas ni materiales tóxicos o inflamables, ni otros materiales peligrosos. No use la aspiradora cerca de líquidos o vapores explosivos.**
- **No exponga la aspiradora a la lluvia. Almacénela en un lugar interior. Para reducir el riesgo de descargas eléctricas, no maneje la batería con las manos mojadas ni coloque la batería en el cargador cuando esté mojada.**

Instrucciones de seguridad importantes para la batería y el cargador

⚠ ADVERTENCIA

Para reducir el riesgo de incendio, descargas eléctricas, explosión de la batería o lesiones debidas a la utilización de la batería o del cargador:

- Lea todas las instrucciones que se encuentran en la batería y en el cargador antes de su uso.
- Use sólo la batería especificada para la aspiradora.
- Recargue la batería solamente utilizando el cargador especificado para la batería.
- No utilice nunca una batería que se haya caído o que haya recibido un golpe fuerte. Una batería dañada podría explotar. Deseche inmediatamente y de manera apropiada una batería que se haya caído.
- Para evitar el riesgo de explosión, no exponga las baterías al fuego o al calor.
- Para reducir el riesgo de chispas, quemaduras o incendio, no deje que los objetos metálicos, tales como clips sujetapapeles o llaves, entren en contacto con los terminales de la batería.
- Las baterías se deben cargar en un lugar donde la temperatura esté entre 40 °F y 100 °F.
- La batería debe estar seca cuando se instale en el cargador.
- No almacene las baterías en lugares exteriores ni en vehículos.
- No exponga el cargador a condiciones mojadas o húmedas. No maneje el cargador con las manos mojadas. Almacénelo en un lugar interior.
- Para reducir el riesgo de daños al cuerpo del cargador y al cordón del cargador, tire del enchufe en lugar de tirar del cordón cuando desenchufe el cargador.
- Ubique el cordón del cargador de modo que no sea pisado, no se tropiece con él ni esté sujeto de cualquier otro modo a daños o esfuerzo.
- No abuse del cordón. No lleve nunca el cargador por el cordón ni tire del cordón para desenchufarlo del tomacorriente. Mantenga el cordón alejado del calor, el aceite y los bordes afilados.

- El uso de cordones de extensión que estén en malas condiciones o que tengan un tamaño de alambre demasiado pequeño puede causar peligros de incendio y descargas eléctricas. Para reducir el riesgo de estos peligros, asegúrese de que el cordón de extensión esté en buenas condiciones y de que la conexión no entre en contacto con líquido. Use un cordón con un calibre AWG 16 ó mayor y que no tenga más de 100 pies de longitud.
- No utilice el cargador si su cordón o su enchufe está dañado. Si el cordón o el enchufe está dañado, haga que un técnico calificado lo reemplace.
- No utilice el cargador si ha recibido un golpe fuerte, se ha caído o está dañado de cualquier otra manera. Haga que un técnico calificado lo inspeccione antes de utilizarlo.
- No desarme el cargador. Llévelo a un técnico calificado si es necesario hacerle servicio de ajustes o repararlo.
- Para reducir el riesgo de descargas eléctricas, desenchufe el cargador antes de intentar cualquier mantenimiento o limpieza.
- Desenchufe el cargador cuando no esté en uso.

⚠ ADVERTENCIA: Las baterías desprenden hidrógeno gaseoso y pueden explotar en presencia de una fuente de ignición, tal como una luz piloto. Para reducir el riesgo de explosión, no utilice ningún producto inalámbrico en presencia de una llama al descubierto.

⚠ ADVERTENCIA: En condiciones extremas de uso o temperatura, la batería podría tener fugas. Si el líquido entra en contacto con la piel, lávela inmediatamente con agua y jabón y luego neutralícela con jugo de limón o vinagre. Si le cae líquido en los ojos, enjuáguelos con agua limpia durante al menos 10 minutos y luego busque atención médica inmediata.

GUARDE ESTE MANUAL

Introducción

Esta aspiradora para mojado/seco inalámbrica está diseñada para uso doméstico. Se puede utilizar para recogida ligera de materiales mojados o secos y se puede utilizar como soplador. El diseño liviano permite la utilización para realizar la mayoría de las tareas domésticas

de recogida con aspiradora. Familiarícese con el producto y las características que se describen a continuación y lea todo el manual del usuario para conocer el uso específico de su aspiradora para mojado/seco nueva.

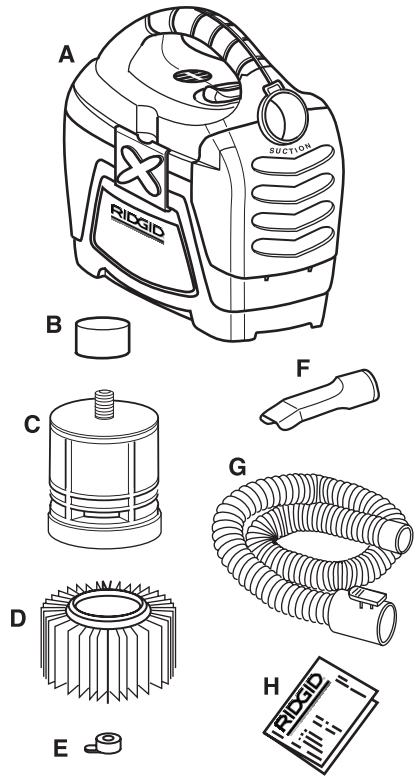
Comprobación del contenido de la caja de cartón

Saque todo el contenido de la caja de cartón. Asegúrese de que no falte ningún artículo utilizando la lista del contenido de la caja. Llame al 1-800-4-RIDGID (1-800-474-3443) desde los EE.UU. y Canadá, y al 01-800-701-9811 desde México., Envíenos un correo electrónico a info@ridgidvac.com o www.ridgidvac.com si cualquier pieza está dañada o falta.

Lista del contenido de la caja de cartón

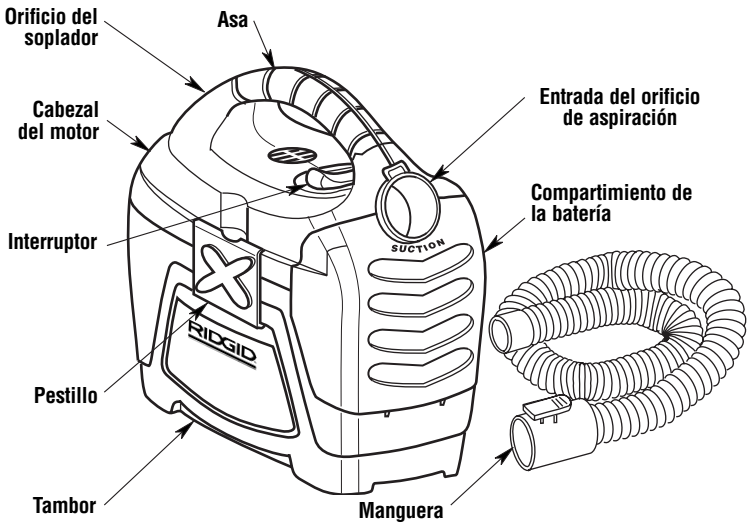
Clave	Descripción	Cant.
A	Aspiradora para mojado/seco inalámbrica de 3 galones.....	1
B*	Flotador.....	1
C*	Jaula del filtro.....	1
D*	Filtro.....	1
E*	Tuerca del filtro.....	1
F	Herramienta multiuso.....	1
G	Manguera expansible.....	1
H	Manual del usuario.....	1

* Estos artículos pueden venir preensamblados. Si no están presentes en la caja de cartón, compruebe el cabezal del motor de la aspiradora para ver si están preensamblados.



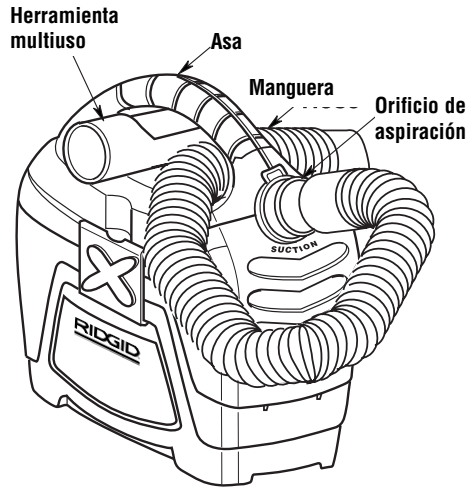
Familiarización con su aspiradora inalámbrica

Familiarícese con los controles y las características de su aspiradora para mojado/seco inalámbrica antes de utilizarla.



Almacenamiento de la manguera y los accesorios

1. La aspiradora tiene una área práctica para almacenar la manguera de aspiración.
2. Enrolle un extremo de la manguera debajo del asa del cabezal del motor y deslícelo hasta el área de almacenamiento de la manguera. Acople a presión el otro extremo de la manguera en el orificio de entrada del cabezal del motor.
3. Coloque la herramienta multiuso en el área de almacenamiento rebajada que está debajo del asa.



Funcionamiento

⚠ ADVERTENCIA: Para reducir el riesgo de incendio, explosión o daños a la aspiradora:

- No deje la aspiradora en marcha mientras esté desatendida. Usted podría no notar señales importantes que indiquen un funcionamiento anormal, tal como pérdida de succión, residuos o líquido que salen por el escape o ruidos anormales del motor. Deje de usar la aspiradora inmediatamente si observa estas señales.
- No continúe usando la aspiradora cuando el flotador haya cortado la succión.
- Las chispas generadas dentro del motor pueden incendiar los materiales inflamables suspendidos en el aire. No utilice la aspiradora cerca de líquidos inflamables ni en áreas con gases o vapores inflamables o polvo explosivo/suspendido en el aire. Los líquidos inflamables, gases inflamables y los vapores inflamables incluyen: líquido encendedor, limpiadores tipo solvente, pinturas a base de aceite, gasolina, alcohol y rociadores tipo aerosol. Los polvos explosivos incluyen: carbón, magnesio, aluminio, grano de cereal y pólvora.
- No recoja con la aspiradora polvos explosivos, líquidos inflamables ni cenizas calientes.

⚠ ADVERTENCIA: Para reducir el riesgo de descargas eléctricas o lesiones:

- No exponga la aspiradora a la lluvia ni deje que entre líquido en el compartimiento del motor. Almacene la aspiradora en un lugar interior.
- No maneje el enchufe, el interruptor o la aspiradora con las manos mojadas.
- Retire la batería antes de hacer servicio de ajustes y reparaciones. Si su aspiradora no está funcionando como debería, le faltan piezas, se ha caído, se ha dañado, se ha dejado al aire libre o se ha caído al agua, devuélvala a un centro de servicio independiente o llame a servicio al cliente.

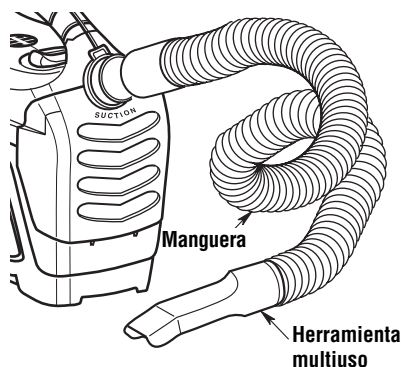
Después de que haya instalado la batería, encienda la unidad empujando el interruptor desde la posición "O" hasta la posición "I".

○ = APAGADO | = ENCENDIDO

Familiarícese con los accesorios que se incluyen con la aspiradora. Cada accesorio puede usarse de diversas maneras para aspirar y soplar residuos. A continuación hay una lista de los accesorios y de sus usos.

Herramienta multiuso: Boquilla para recoger material seco en interiores de autos y para la mayoría de limpieza de tapicería.

Manguera: Proporciona transferencia de capacidad de aspiración o soplado al lugar de trabajo. Proporciona los medios para conectar la herramienta multiuso.



Funcionamiento (continuación)

Recogida de materiales secos con la aspiradora

1. El filtro debe estar siempre en posición correcta, en todo momento, para evitar fugas y posibles daños a la aspiradora.
2. Al utilizar la aspiradora para recoger polvo muy fino, será necesario que usted vacíe el tambor y limpie el filtro a intervalos más frecuentes para mantener un rendimiento óptimo

NOTA: El filtro de papel debe estar seco para recoger material seco. Si utiliza la aspiradora para recoger polvo cuando el filtro esté mojado, éste se obstruirá rápidamente y será muy difícil limpiarlo.

⚠ ADVERTENCIA: No quite la jaula del filtro ni el flotador. El flotador evita que entre agua en el impulsor y dañe el motor. La jaula impide que los dedos toquen el impulsor cuando éste está en movimiento.

Recogida de líquidos con la aspiradora

1. Cuando recoja pequeñas cantidades de líquido (hasta una pulgada en el fondo del tambor), el filtro se podrá dejar colocado en su sitio.
2. Cuando recoja grandes cantidades de líquido (más de una pulgada en el fondo del tambor), recomendamos retirar el filtro. Si no se quita el filtro, éste se saturará y podrá aparecer niebla en el escape.
3. Cuando el líquido que se encuentre en el tambor alcance un nivel predeterminado, el mecanismo del flotador subirá automáticamente para cortar el flujo de aire. Sabrá que el flotador ha subido porque el flujo de aire de la aspiradora cesará y subirá el tono del ruido del motor debido a que se producirá un aumento de la velocidad del mismo. Cuando esto suceda, apague la aspiradora, desenchufe el cordón de energía y vacíe el tambor.
4. Después de usar la aspiradora para recoger líquidos, se debe secar el filtro para evitar posible moho y daños al filtro.

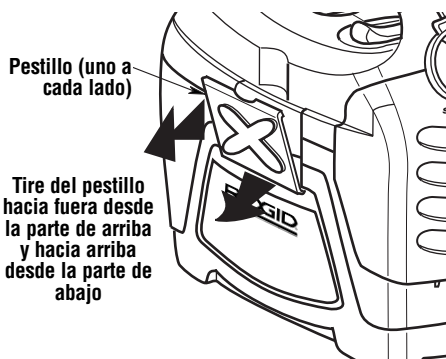
IMPORTANTE: Para reducir el riesgo de daños a la aspiradora, no tenga en marcha el motor con el flotador en la posición elevada.

Funcionamiento (continuación)

Vaciado del tambor

▲ ADVERTENCIA: Para reducir el riesgo de lesiones debido a un arranque accidental, retire la batería antes de vaciar el tambor.

1. Para retirar la tapa, agarre los pestillos del tambor ubicados tanto en el lado derecho como en el lado izquierdo del cabezal del motor. Jale lentamente los pestillos del tambor hacia fuera y hacia arriba respecto al tambor. Levante el cabezal del motor hasta separarlo del tambor. Ponga a un lado el ensamblaje de la tapa.



2. Ponga el cabezal del motor en un área limpia y seca mientras vacía el tambor o cambia el filtro.
3. Vierta el contenido del tambor en el recipiente adecuado de eliminación de residuos.



Dispositivo de soplado

La aspiradora para mojado/seco tiene la capacidad de soplar aserrín y otros residuos y utilizarse como un soplador para realizar trabajo de jardín, limpieza de patio y aplicaciones de taller.

NOTA: El orificio de soplado está ubicado opuesto al orificio de aspiración.

▲ ADVERTENCIA: Use siempre protección ocular de seguridad que cumpla con la norma ANSI Z87.1 (o en Canadá, con la norma CSA Z94.3) antes de utilizar la aspiradora como soplador.

▲ ADVERTENCIA: Para reducir el riesgo de lesiones a las personas que estén presentes, manténgalas alejadas de los residuos soplados.

▲ PRECAUCIÓN: Use una máscara anti-polvo si el soplado genera polvo que podría ser inhalado.

▲ PRECAUCIÓN: Para reducir el riesgo de daños a la audición, use protectores de oídos cuando utilice la aspiradora/soplador durante muchas horas seguidas o cuando la utilice en un área ruidosa.

Instalación de la batería

⚠ ADVERTENCIA: Apague la unidad antes de retirar o instalar la batería.

NOTA: La batería de ion litio y el cargador se venden por separado.

Instalación de la batería

NOTA: Use SÓLO baterías de 18 V de la marca RIDGID.

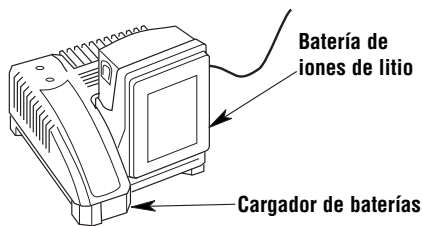
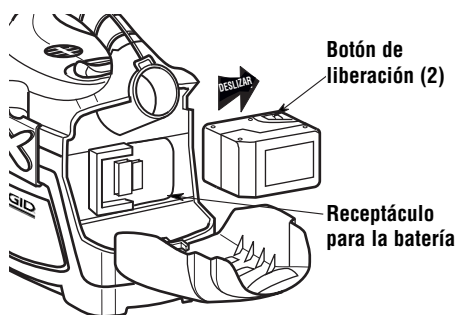
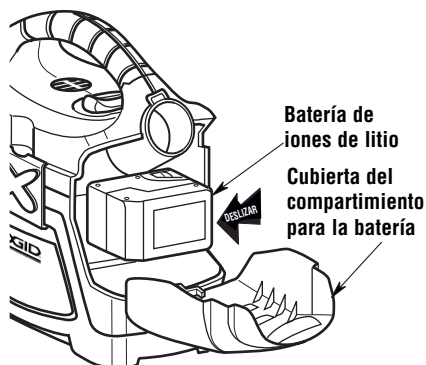
La WD03180 funcionará con los siguientes tipos de baterías: Números de batería de 18 V R84008, R840083, R840084, R840085 R840086 y R840087.

1. Mientras sujeta el asa de la aspiradora para mojado/seco con una mano, tire de la cubierta del compartimiento de la batería para abrir dicho compartimiento.
2. Deslice la batería completamente cargada al interior del receptáculo para la batería hasta que oiga un clic audible. No oprima los botones de liberación de la batería en este momento.

Remoción de la batería

1. Oprima al mismo tiempo ambos botones de liberación, ubicados a cada lado de la batería, y deslice la batería hasta sacarla del receptáculo para la batería.
2. Enchufe el cargador en un tomacorriente de pared y ponga la batería en el cargador para recargarla.

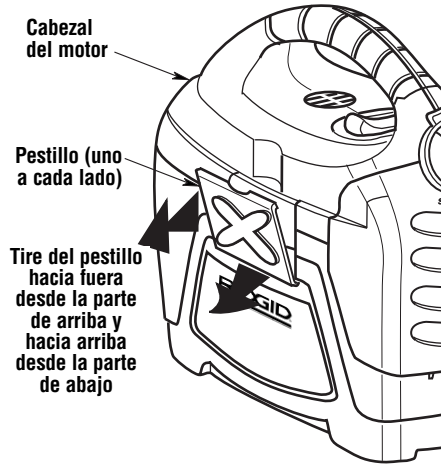
⚠ ADVERTENCIA: Para reducir el riesgo de descargas eléctricas, no maneje la batería con las manos mojadas ni coloque la batería en el cargador cuando esté mojada.



Mantenimiento

Remoción del filtro

1. Agarre los pestillos del tambor ubicados tanto en el lado derecho como en el lado izquierdo del cabezal del motor. Tire lentamente de los pestillos del tambor alejándolos del tambor. Levante el cabezal del motor hasta separarlo del tambor. Ponga a un lado el ensamblaje de la tapa.
2. Para retirar el filtro con el fin de limpiarlo o reemplazarlo, desenrosque la tuerca del filtro de la jaula del filtro. Agarre las lengüetas del filtro en cada mano.
3. Con un pulgar sobre el tornillo roscado, que sobresale a través de la placa de filtro integrada, levante las lengüetas del filtro a la vez que empuja hacia abajo sobre el tornillo.
3. Esta acción hará que el filtro se suelte de la jaula del filtro. Deslice el filtro hasta retirarlo de la jaula.



⚠ ADVERTENCIA: No quite la jaula del filtro ni el flotador. El flotador evita que entre agua en el impulsor y dañe el motor. La jaula impide que los dedos toquen el impulsor cuando éste está en movimiento.

Instalación del filtro

1. Deslice cuidadosamente el filtro sobre la jaula del filtro y presione hacia abajo sobre el borde exterior del filtro hasta que el empaque de goma ubicado en la parte inferior del filtro se asiente firmemente alrededor de la base de la jaula del filtro y contra la tapa.
2. Alinee el agujero central pequeño ubicado en la parte superior del filtro sobre el vástago roscado ubicado en la jaula del filtro, dejando que sobresalga a su través.

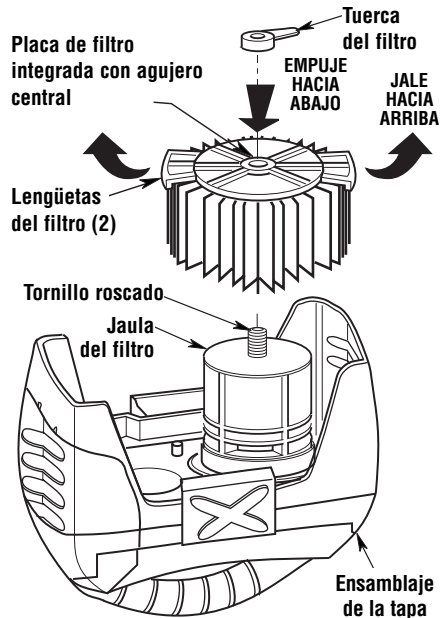
NOTA: El filtro adoptará la forma de la jaula oval del filtro cuando esté colocado en la posición correcta.

3. Coloque la tuerca del filtro en el tornillo roscado y apriétela hacia abajo. Apriétela sólo con los dedos.

NOTA: La palanca de la tuerca del filtro deberá estar alejada de la tapa del filtro de la manera que se muestra en la ilustración.

IMPORTANTE: No apriete excesivamente la tuerca, ya que esto podría deformar o agrietar la jaula del filtro o el filtro.

4. Para ensamblar el cabezal del motor en el tambor, posicione dicho cabezal del motor sobre el tambor, con los pestillos del tambor



alineados en el entrante del tambor (el cabezal del motor sólo encajará de una manera sobre el tambor).

5. Posicione la parte inferior del pestillo en el entrante del tambor. Empuje la parte superior del pestillo hacia el cabezal del motor para bloquearlo.
6. Una vez hecho esto, la aspiradora estará lista para utilizarse.

Mantenimiento (continuación)

Filtro

▲ ADVERTENCIA: Para reducir el riesgo de lesiones por causa de un arranque accidental, retire la batería antes de cambiar el filtro.

NOTA: Este filtro está hecho de papel de alta calidad diseñado para detener partículas de polvo muy pequeñas. El filtro se puede usar para recoger material seco o pequeñas cantidades de líquido. Maneje el filtro cuidadosamente al quitarlo para limpiarlo o al instalarlo. Es posible que se produzcan arrugas en los pliegues del filtro, pero dichas arrugas no afectarán el funcionamiento del filtro.

IMPORTANTE: Para evitar daños a la rueda del soplador y al motor, vuelva a instalar siempre el filtro antes de usar la aspiradora para recoger material seco.

Limpieza de un filtro seco

NOTA: Para lograr una limpieza óptima con el fin de eliminar el polvo acumulado en el filtro, limpie el filtro en un área abierta. La limpieza del filtro DEBE realizarse al aire libre y no en el interior de una vivienda.

1. Se puede lograr una extracción parcial de residuos, sin quitar el filtro de la aspiradora, golpeando la parte superior del asa con la mano mientras la aspiradora está apagada.
2. Quite el filtro de la aspiradora. Golpee suavemente el filtro contra la pared interior del tambor para polvo. Los residuos se soltarán y caerán.
3. Para limpiar minuciosamente el filtro seco con polvo fino (sin residuos), puede hacer pasar agua a través del filtro tal como se describe bajo "Limpieza de un filtro mojado".

Limpieza de un filtro mojado

Después de quitar el filtro, haga pasar agua a través de él usando una manguera o desde una espita. Tenga cuidado de que la presión del agua procedente de la manguera no sea tan fuerte como para dañar el filtro.

IMPORTANTE: Después de limpiar el filtro, compruebe si éste tiene desgarraduras o agujeros pequeños. No use un filtro que tenga agujeros o desgarraduras. Incluso un agujero pequeño puede hacer que salga mucho polvo de la aspiradora. Si el filtro está dañado,

Cámbielo inmediatamente.

Deje que el filtro se seque antes de reinstalarlo y almacenar la aspiradora o recoger residuos secos.

Limpieza y desinfección de la aspiradora para mojado/seco

Para mantener el mejor aspecto posible de la aspiradora para mojado/seco, limpie su exterior con un paño humedecido con agua templada y un jabón suave.

Para limpiar el tambor:

1. Vacíe de residuos el tambor.
2. Lave a fondo el tambor con agua templada y un jabón suave.
3. Limpie el tambor con un paño seco.

Antes de un almacenamiento prolongado o según sea necesario (por ejemplo, si se recogen aguas residuales), se debe desinfectar el tambor.

Mantenimiento (continuación)

Para desinfectar el tambor:

1. Eche 1 galón de agua y 1 cucharadita de blanqueador de cloro en el tambor.
2. Deje que la solución repose durante 20 minutos y agítela cuidadosamente cada pocos minutos, asegurándose de mojar todas las superficies interiores del tambor.
3. Vacíe el tambor después de 20 minutos. Enjuáguelo con agua hasta que el olor a blanqueador desaparezca. Deje que el tambor se seque completamente antes de sellar el motor sobre el tambor.

Almacenamiento

Antes de almacenar la aspiradora, se debe vaciar y limpiar el tambor para polvo. Los accesorios se deben mantener en la misma área que la aspiradora para que estén al alcance de la mano cuando se necesiten. La aspiradora se debe almacenar en interiores.

⚠ ADVERTENCIA: Para garantizar la **SEGURIDAD** y **CONFIABILIDAD** del producto, las reparaciones y los ajustes deben realizarse en los **Centros de Servicio autorizados**, usando siempre piezas de repuesto **RIDGID**.

Piezas de repuesto

Aspiradora para mojado/seco RIDGID inalámbrica de 3 galones EE.UU./11,4 litros Número de modelo WD03180

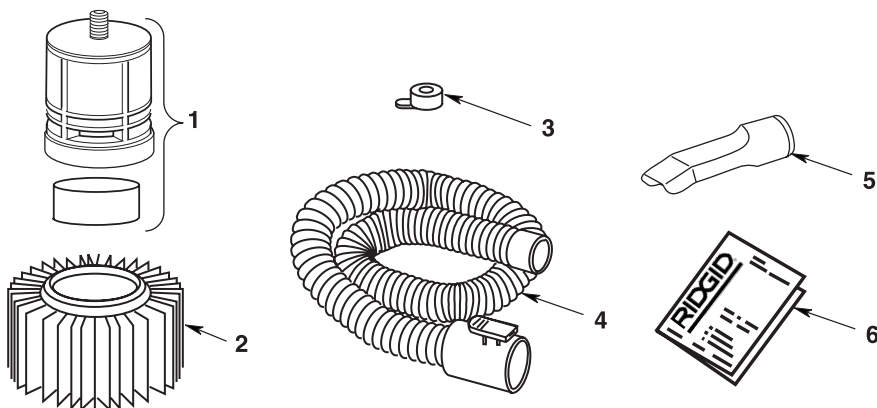
Las piezas RIDGID se encuentran disponibles en línea conectándose a www.ridgidparts.com

Pida siempre por número de pieza —no por número de clave

No. de clave	No. de pieza	Descripción
1	832048	Jaula del filtro con flotador
2	VF3500	† Filtro
3	73316	Tuerca del filtro

No. de clave	No. de pieza	Descripción
4	VT1782	Manguera expansible
5	VT1781	Herramienta multiuso
6	SP6920	Manual del usuario

† Estas piezas de repuesto se encuentran disponibles en el establecimiento donde compró la aspiradora.





- **Qué está cubierto**

Se garantiza que las aspiradoras para mojado/seco RIDGID® están libres de defectos de fabricación y de materiales.

- **Cuánto dura la cobertura**

Esta garantía dura toda la vida de las aspiradoras para mojado/seco RIDGID®.

- **Cómo puede obtener servicio**

Para obtener el beneficio de esta garantía, envíe el producto completo mediante transporte prepago a RIDGE TOOL COMPANY, Elyria, Ohio, o a cualquier CENTRO DE SERVICIO INDEPENDIENTE RIDGID®. Las llaves para tubos y otras herramientas de mano deben devolverse al establecimiento de compra.

- **Qué haremos para corregir los problemas**

Las aspiradoras para mojado/seco garantizadas serán reparadas o reemplazadas, a opción de Ridge Tool Company, y serán devueltas sin cargo; o si después de tres intentos de reparar o reemplazar la aspiradora para mojado/seco durante el período de garantía ésta aún presenta defectos, usted puede optar por recibir un reembolso completo de su precio de compra.

- **Qué no está cubierto**

Las averías debidas a uso incorrecto, abuso o desgaste por el uso normal no están cubiertas por esta garantía. **RIDGE TOOL COMPANY NO SERÁ RESPONSABLE DE NINGÚN DAÑO FORTUITO NI EMERGENTE.**

- **Cómo se relaciona la ley local con la garantía**

Algunos estados no permiten la exclusión o limitación de los daños fortuitos o emergentes, por lo que es posible que la limitación o exclusión que antecede no tenga aplicación en su caso. Esta garantía le confiere a usted derechos específicos y es posible que también tenga otros derechos, que varían de un estado a otro, una provincia a otra o un país a otro.

- **Ninguna otra garantía expresa tiene aplicación**

Esta GARANTÍA COMPLETA DE POR VIDA es la garantía única y exclusiva de las aspiradoras para mojado/seco RIDGID®. Ningún empleado, agente, distribuidor u otra persona está autorizado a alterar esta garantía ni a dar ninguna otra garantía en nombre de Ridge Tool Company.

No. de catálogo WD0318

No. de modelo WD03180

Número de serie _____

Los números de modelo y de serie se pueden encontrar en una etiqueta ubicada en el interior del compartimiento de la batería. Debe anotar tanto el número de modelo como el de serie en un lugar seguro para uso futuro.

**¿PREGUNTAS O COMENTARIOS? LLAME AL
1-800-4-RIDGID (1-800-474-3443)**

www.ridgidvac.com

Por favor, tenga a mano su número de modelo y número de serie cuando llame.



EMERSON

Commercial & Residential Solutions

© 2014 Emerson

No. de pieza SP6920

No. de formulario SP6920

Impreso en México 05/14

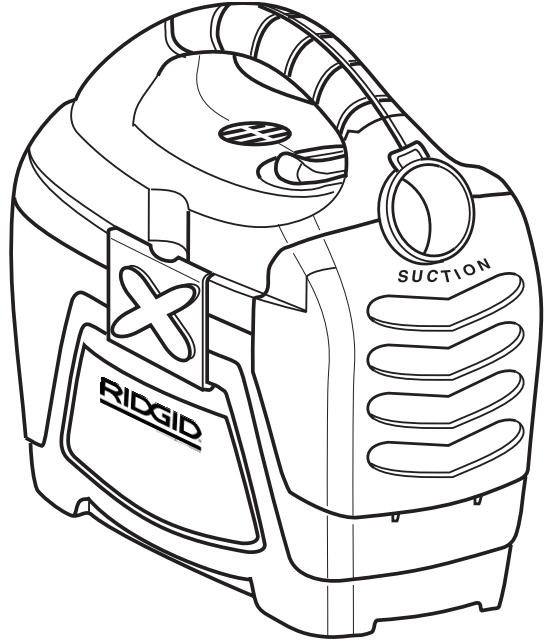
RIDGID®

MODE D'EMPLOI

**ASPIRATEUR DE LIQUIDES ET DE
POUSSIÈRES SANS FIL DE 18 VOLTS
ET 3 GALLONS DES É.-U./11,3 LITRES**

Batterie et chargeur vendus séparément
Utilisez exclusivement des batteries
RIDGID® de 18 V.

WD03180



EN CAS DE QUESTIONS OU POUR OBTENIR DES INFORMATIONS,
VEUILLEZ NOUS CONTACTER AU :

1-800-4-RIDGID (1-800-474-3443) depuis les États-Unis et le Canada
01-800-701-9811 depuis le Mexique

www.ridgidvacs.com

▲ AVERTISSEMENT :

Pour réduire le risque de blessure, l'utilisateur doit lire et comprendre le mode d'emploi avant d'utiliser ce produit.

Merci d'avoir acheté un produit RIDGID.

• Español - página 15

CONSERVER CE MANUEL POUR RÉFÉRENCE FUTURE

Table des matières

Sujet	Page	Sujet	Page
Introduction	33	Entretien	39
Inspection du contenu du carton	33	Retrait du filtre	39
Apprenez à connaître votre aspirateur	34	Installation du filtre	39
Rangement du tuyau et des accessoires	34	Filtre	40
Fonctionnement	35	Nettoyage d'un filtre sec	40
Aspiration de matériaux secs	36	Nettoyage d'un filtre humide	40
Aspiration de liquides	36	Nettoyage et désinfection de l'aspirateur de liquides et de poussières	40
Vidage du tambour	37	Rangement	41
Fonction de soufflante	37	Pièces de rechange	41
Installation de la batterie	38	Garantie	42
Installation de la batterie	38		
Retrait de la batterie	38		

INSTRUCTIONS IMPORTANTES RELATIVES À LA SÉCURITÉ

La sécurité est une combinaison de faire preuve de bon sens, rester vigilant et savoir comment votre aspirateur de liquides et de poussières (l'« aspirateur ») fonctionne.

Termes de signalisation de questions de sécurité

▲ **DANGER** : indique une situation dangereuse qui, si elle n'est pas évitée, **causera** la mort ou une blessure grave.

▲ **AVERTISSEMENT** : indique une situation dangereuse qui, si elle n'est pas évitée, **risque de causer** la mort ou une blessure grave.

▲ **MISE EN GARDE** : indique une situation dangereuse qui, si elle n'est pas évitée, **pourrait causer** une blessure légère ou modérée.

Prenez toujours des précautions élémentaires, notamment les précautions suivantes, lorsque vous utilisez votre aspirateur de liquides et de poussières :

▲ AVERTISSEMENT

– Pour réduire le risque d'incendie, de choc électrique ou de blessure :

- Lisez et comprenez ce manuel et toutes les étiquettes placées sur l'aspirateur avant de mettre celui-ci en marche.
- N'utilisez l'aspirateur que comme cela est décrit dans ce mode d'emploi.
- Ne laissez pas en marche pendant que vous êtes absent – vous vous risqueriez de manquer des signes importants indiquant un

fonctionnement anormal, comme une perte de puissance d'aspiration, la sortie de débris ou de liquides par la bouche de soufflage d'air ou des bruits anormaux en provenance du moteur. Cessez immédiatement d'utiliser l'aspirateur si vous constatez de tels signes.

- Utilisez seulement les batteries indiquées dans ce mode d'emploi. Voir la section intitulée « Installation de la batterie ».
- Des étincelles à l'intérieur du moteur risquent de mettre feu à des vapeurs ou poussières inflammables. Pour réduire le risque d'incendie ou d'explosion : n'utilisez pas à proximité de gaz ou de liquides inflammables ou combustibles, ou de poussières explosives, comme de l'essence automobile ou d'autres fiouls, de l'essence à briquet, des produits de nettoyage, de la peinture à l'huile, du gaz naturel, de l'hydrogène, de la poussière de charbon, de la poussière de magnésium, de la poussière d'aluminium, de la poussière de céréales ou de la poudre.
- N'aspirez jamais de matières en train de brûler ou des matières fumigènes, telles que des cigarettes, des allumettes ou des cendres chaudes.
- Pour réduire le risque d'inhalation de vapeurs toxiques, n'aspirez pas de matériaux toxiques ou dangereux, et n'utilisez pas à proximité de tels matériaux.
- Pour réduire le risque de choc électrique, n'exposez pas l'aspirateur ou les batteries à la pluie. Rangez-les à l'intérieur.

- Ne laissez pas les enfants se servir de l'aspirateur comme d'un jouet. Il faut surveiller de très près quand il est utilisé par des enfants ou à proximité d'enfants.
- N'utilisez pas avec un filtre déchiré ou sans avoir installé de filtre, sauf quand vous aspirez des liquides, comme cela est décrit dans ce mode d'emploi. Des débris secs capturés par la roue risquent d'endommager le moteur ou d'être expulsés à nouveau dans l'air ambiant.
- Ne manipulez pas l'interrupteur, l'aspirateur ou les batteries si vous avez les mains mouillées.
- Ne mettez aucun objet dans les orifices de ventilation. N'aspirez pas quand de quelconques orifices de ventilation sont obstrués ; assurez-vous que ces orifices ne sont pas bloqués par de la poussière, de la peluche, des cheveux ou de quelconques objets pouvant réduire la circulation de l'air.
- Gardez les cheveux, les vêtements flottants, les doigts et toutes les parties du corps à distance des orifices et des pièces mobiles.
- Pour réduire le risque de chute, faites très attention lorsque vous utilisez l'aspirateur dans des escaliers.
- Pour réduire le risque de blessure ou le risque d'endommagement de l'aspirateur, n'utilisez que des accessoires recommandés par Ridgid.
- En cas d'utilisation de l'aspirateur comme soufflante :
 - Ne dirigez la décharge d'air que vers la zone de travail.
 - Ne le posez pas dans un liquide ; ceci risquerait de causer un choc électrique.
 - Ne dirigez pas l'air vers des personnes présentes à proximité.
 - Gardez les enfants à distance lors du fonctionnement de la soufflante.
 - N'utilisez la soufflante que pour souffler des saletés et des débris.
 - N'utilisez pas en guise de pulvérisateur.
 - Portez des lunettes de sécurité.
- Pour réduire le risque de blessure pour les yeux, portez des lunettes de sécurité. L'utilisation de toute soufflante ou de tout aspirateur utilitaire peut toujours causer la projection de corps étrangers dans les yeux, ce qui risque d'entraîner des blessures graves aux yeux.

▲ MISE EN GARDE :

- Pour réduire le risque de perte auditive, portez des protecteurs d'oreilles lorsque vous vous servez de l'aspirateur pendant plusieurs heures ou quand vous l'utilisez dans un endroit bruyant.
- Portez un masque antipoussières en cas d'utilisation dans un environnement poussiéreux.
- Les décharges statiques sont fréquentes dans les endroits secs ou lorsque l'humidité relative de l'air ambiant est faible. L'aspiration de débris fins avec votre aspirateur peut déposer une charge statique sur le tuyau ou sur l'aspirateur. La meilleure chose à faire pour réduire la fréquence des décharges statiques chez vous ou lorsque vous utilisez cet aspirateur consiste à ajouter de l'humidité dans l'air avec un humidificateur.

Observez les avertissements suivants, qui figurent sur l'aspirateur de liquides et de poussières :

▲ AVERTISSEMENT :

- **Utilisez seulement des batteries RIDGID N° R84008, R840083, R840084, R840085, R840086 et R840087.**
- **Pour votre propre sécurité, lisez et comprenez le mode d'emploi. Ne laissez pas l'aspirateur en marche sans surveillance. Ne l'utilisez pas pour ramasser des cendres chaudes, du charbon ou des matières toxiques, inflammables ou dangereuses à tout autre titre. Ne vous en servez pas à proximité de vapeurs ou de liquides explosifs.**
- **N'exposez pas à la pluie. Rangez à l'intérieur. Pour réduire le risque de choc électrique, ne manipulez pas la batterie avec les mains mouillées et ne placez pas une batterie mouillée dans le chargeur.**

Instructions de sécurité importantes pour la batterie et le chargeur

▲ AVERTISSEMENT

– Pour réduire les risques d'incendie, de choc électrique, d'explosion de la batterie ou de blessure associés à l'utilisation de la batterie ou du chargeur :

- Lisez toutes les instructions figurant sur la batterie et sur le chargeur avant toute utilisation.
- Utilisez seulement la batterie indiquée pour cet aspirateur.
- Ne rechargez la batterie qu'en utilisant le chargeur spécifié pour cette batterie.
- N'utilisez jamais une batterie qui est tombée ou qui a subi un choc important. Une batterie endommagée risquerait d'exploser. Jetez immédiatement toute batterie qui est tombée en appliquant les règlements en vigueur.
- Pour éviter le risque d'explosion, n'exposez pas la batterie à un feu ou à une source de chaleur.
- Pour réduire le risque d'étincelles, de brûlures ou d'incendie, ne laissez pas d'objets en métal tels que des trombones ou des clés entrer en contact avec les bornes de la batterie.
- La batterie doit être chargée à un endroit où la température est comprise entre 40 °F et 100 °F.
- Ne rangez pas la batterie à l'extérieur ou dans un véhicule.
- N'exposez pas le chargeur à un environnement ambiant humide et ne le mettez pas en contact avec des liquides. Ne manipulez pas le chargeur avec les mains mouillées. Rangez-le à l'intérieur.
- Pour réduire le risque d'endommagement du corps et du cordon du chargeur, tirez par la fiche plutôt que par le cordon quand vous débranchez le chargeur.
- Acheminez le cordon du chargeur de façon à ce que l'on ne risque pas de marcher dessus ou de trébucher, et afin d'éviter tout risque de dommage ou de contrainte prévisible.
- N'abusez pas le cordon. Ne transportez jamais le chargeur en le tenant par son cordon, et ne tirez pas sur le cordon pour débrancher le chargeur de la prise de courant. Gardez le

cordon à distance des sources de chaleur, de taches d'huile et de bords tranchants.

- L'emploi de cordons de rallonge en mauvais état ou qui ont un diamètre trop petit peut créer des risques d'incendie ou de choc. Pour réduire de tels risques, vérifiez que le cordon de rallonge est en bon état et que la connexion n'entre pas en contact avec du liquide. Utilisez un cordon d'un diamètre égal ou supérieur à 16 AWG et d'une longueur ne dépassant pas 100 pieds (30 mètres).
- Ne vous servez pas du chargeur si son cordon ou sa fiche est endommagé. En cas d'endommagement du cordon ou de la fiche, faites remplacer le composant endommagé par un technicien qualifié.
- Ne vous servez pas du chargeur s'il a reçu un choc important, s'il est tombé ou s'il a été endommagé d'une quelconque autre façon. Faites-le inspecter par un technicien qualifié avant de l'utiliser.
- Ne démontez pas le chargeur. Apportez-le à un technicien qualifié si une maintenance ou une réparation est nécessaire.
- Pour réduire le risque de choc électrique, débranchez le chargeur avant de tenter toute opération de maintenance ou de nettoyage.
- Débranchez le chargeur quand vous ne l'utilisez pas.

▲ AVERTISSEMENT : la batterie contient du gaz hydrogène et peut exploser en présence d'une source d'inflammation telle qu'une lampe témoin. Pour réduire le risque d'explosion, n'utilisez aucun produit sans fil en présence de flammes vives.

▲ AVERTISSEMENT : une fuite de la batterie peut se produire dans des conditions d'utilisation ou de températures extrêmes. Si du liquide entre en contact avec votre peau, lavez-vous la peau avec de l'eau et du savon, puis neutralisez avec du jus de citron ou du vinaigre. Si du liquide entre en contact avec vos yeux, lavez-vous les yeux avec de l'eau propre pendant au moins 10 minutes, puis consultez immédiatement un médecin.

CONSERVER CE MANUEL

Introduction

Cet aspirateur de liquides et de poussières sans fil est conçu pour emploi résidentiel seulement. Il peut être utilisé pour aspirer des matières sèches ou humides légères et peut être employé comme soufflante. Son poids léger permet de l'utiliser pour la plupart des petites corvées

d'aspiration dans un cadre résidentiel. Familiarisez-vous avec le produit et avec les fonctions suivantes, et lisez l'intégralité du mode d'emploi pour en apprendre davantage sur les utilisations spéciales de votre nouvel aspirateur de liquides et de poussières.

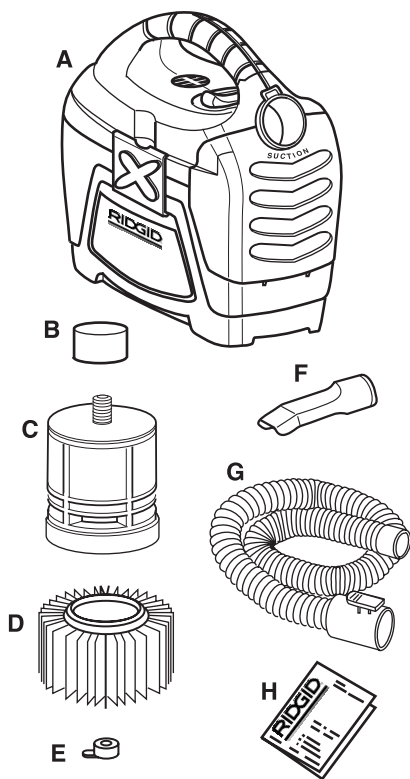
Inspection du contenu du carton

Retirez tous les éléments se trouvant dans la boîte en carton. Inspectez chaque élément en le comparant à la liste incluse dans la boîte en carton. Téléphonez au 1-800-4-RIDGID (1-800-474-3443) depuis les États-Unis et le Canada, 01-800-701-9811 depuis le Mexique. Envoyez-nous un courriel à info@ridgidvacs.com ou rendez-vous sur le site www.ridgidvacs.com si de quelconques composants sont endommagés ou manquants.

Liste du contenu de la boîte en carton

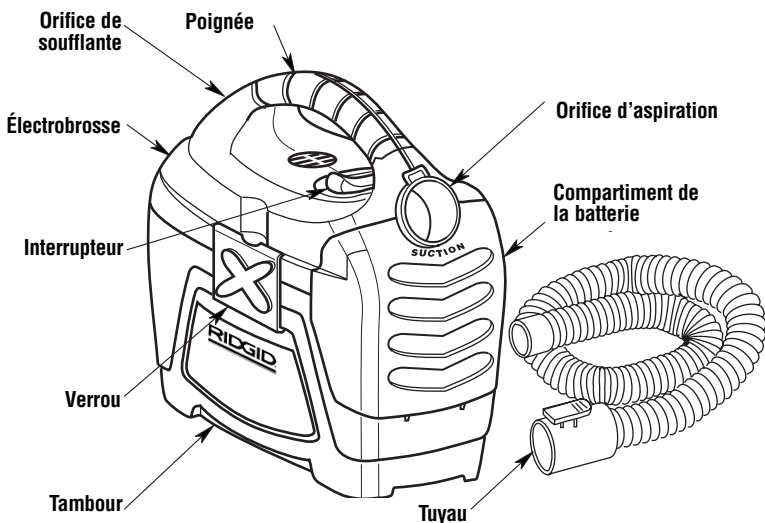
Légende	Description	Qté
A	Aspirateur de liquides et de poussières sans fil de 3 gallons	1
B*	Flotteur	1
C*	Cage du filtre	1
D*	Filtre	1
E*	Écrou du filtre	1
F	Outil universel	1
G	Tuyau flexible extensible	1
H	Mode d'emploi	1

*Il se peut que ces éléments soient fournis préassemblés. Si vous ne les trouvez pas dans la boîte en carton, regardez dans l'ensemble moteur de l'aspirateur pour voir s'ils y ont été pré-assemblés.



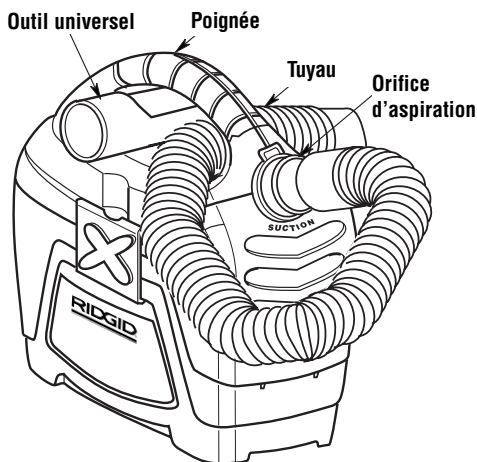
Familiarisez-vous avec votre aspirateur sans fil

Apprenez à identifier les commandes et les fonctions de votre aspirateur de liquides et de poussières sans fil avant de le mettre en marche.



Rangement du tuyau flexible et des accessoires

1. Votre aspirateur dispose d'un endroit pratique où ranger le tuyau flexible.
2. Enroulez l'extrémité du tuyau flexible au-dessous de la poignée de l'électrobrosse et faites-le glisser dans la zone de rangement du tuyau. Forcez l'autre extrémité du tuyau flexible dans l'orifice d'admission de l'électrobrosse.
3. Placez l'outil universel dans la zone de rangement encastrée au-dessous de la poignée.



Fonctionnement

⚠ AVERTISSEMENT : pour réduire le risque d'incendie, d'explosion ou d'endommagement de l'aspirateur :

- Ne laissez pas en marche pendant que vous êtes absent – vous vous risqueriez de manquer des signes importants indiquant un fonctionnement anormal, comme une perte de puissance d'aspiration, la sortie de débris ou de liquides par la bouche de soufflage d'air ou des bruits anormaux en provenance du moteur. Cessez immédiatement d'utiliser l'aspirateur si vous constatez de tels signes.
- Ne continuez pas à utiliser l'aspirateur lorsque le flotteur a coupé l'aspiration.
- Les étincelles à l'intérieur du moteur risqueraient de mettre feu à des matières inflammables en suspension dans l'air. Ne pas utiliser l'aspirateur à proximité de liquides inflammables ou à des endroits où il y a des gaz ou des vapeurs inflammables, ou de la poussière explosive/dans l'air. Les liquides, gaz et vapeurs inflammables comprennent : essence à briquet, produits de nettoyage du type solvant, peinture à base d'huile, essence, alcool et aérosols. Types de poussières explosives : charbon, magnésium, aluminium, céréales et poudre noire.
- N'aspirez pas de poussières explosives, de liquides inflammables ou de cendres chaudes.

⚠ AVERTISSEMENT : pour réduire le risque de choc électrique ou de blessure :

- N'exposez pas à la pluie, et ne laissez pas de liquides pénétrer dans le compartiment du moteur. Rangez à l'intérieur.
- Ne touchez pas la fiche de branchement, l'interrupteur ou l'aspirateur si vous avez les mains mouillées.
- Retirez la batterie avant d'effectuer toute opération de maintenance. Si votre aspirateur ne fonctionne pas comme il faudrait, si des pièces sont manquantes ou s'il est tombé par terre, a été endommagé, a été laissé à l'extérieur ou est tombé dans l'eau, rappez-le à un centre de service après-vente indépendant ou téléphonez au service à la clientèle.

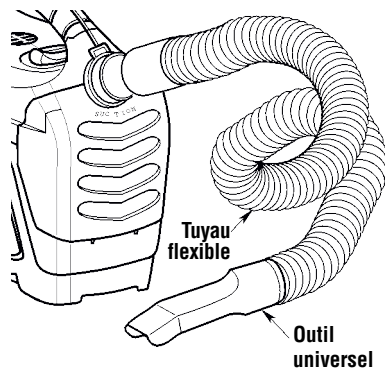
Après avoir installé la batterie, mettez l'aspirateur en marche en appuyant sur l'interrupteur afin de le faire passer de la position « 0 » à la position « | ».

○ = ARRÊT | = MARCHE

Il faut bien se familiariser avec les accessoires qui ont été inclus avec cet aspirateur. Chaque accessoire peut être utilisé de façons multiples pour l'aspiration ou le soufflage de débris. Voici une liste des accessoires et des divers moyens de les utiliser :

Outil universel – Suceur sec pour les intérieurs de véhicules et pour le nettoyage de la plupart des surfaces rembourrées.

Tuyau – Permet de transférer la capacité d'aspirer ou de souffler sur le site de travail. Permet d'attacher l'outil universel.



Fonctionnement (suite)

Aspiration de matériaux secs

1. Le filtre doit toujours être dans la position correcte afin d'éviter les fuites et l'endommagement possible de l'aspirateur.
2. Lors de l'utilisation de l'aspirateur pour ramasser des poussières très fines, il sera nécessaire de vider le tambour et de nettoyer le filtre à intervalles plus fréquents afin de continuer à bénéficier de la performance maximale de l'aspirateur.

REMARQUE : le filtre en papier doit être sec afin de pouvoir ramasser des matières sèches. Si vous utilisez votre aspirateur pour ramasser de la poussière quand le filtre est humide, le filtre s'obstruera rapidement et sera très difficile à nettoyer.

▲ AVERTISSEMENT : ne retirez pas le filtre et la cage du filtre. Le flotteur empêche l'eau de pénétrer dans l'hélice et d'endommager le moteur. La cage empêchera les doigts d'entrer en contact avec l'hélice en train de tourner.

Aspiration de liquides

1. Lorsque vous ramassez de petits volumes de liquide (jusqu'à 2,5 cm au fond du tambour), il est possible de laisser le filtre en place.
2. Lorsque vous ramassez de grands volumes de liquide (plus de 2,5 cm au fond du tambour), nous recommandons de retirer le filtre au préalable. Sinon, il se saturera et on verra peut-être apparaître alors un peu de brume sur l'orifice d'échappement.
3. Lorsque le liquide aspiré atteint un niveau prédéterminé dans le tambour, le flotteur s'élèvera automatiquement afin de couper la circulation de l'air. L'élévation du niveau du flotteur se remarque parce qu'elle correspond à l'arrêt de la circulation de l'air à l'intérieur de l'aspirateur et parce que le bruit du moteur devient alors plus aigu en raison de l'accélération de sa vitesse. Lorsque ceci se produit, fermer l'aspirateur, débrancher le cordon électrique et vider le tambour.
4. Après que l'aspirateur aura été utilisé pour aspirer des liquides, il faudra sécher le filtre pour éviter la formation possible de moisissures et pour ne pas endommager le filtre.

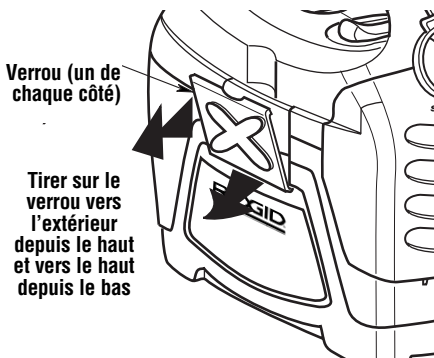
IMPORTANT : pour réduire le risque d'endommager l'aspirateur, il ne faut pas faire fonctionner le moteur pendant que le flotteur est en position élevée.

Fonctionnement (suite)

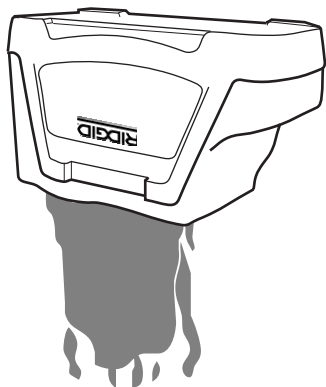
Vidage du tambour

⚠ AVERTISSEMENT : pour réduire le risque de blessure à la suite d'une mise en marche accidentelle, retirez la batterie avant de vider le tambour.

1. Pour retirer le couvercle, saisissez les loquets du tambour du côté droit et du côté gauche du bloc moteur. Tirez lentement sur les loquets du tambour, vers le haut et vers l'extérieur par rapport au tambour. Soulevez le bloc moteur pour le détacher du tambour. Mettez l'ensemble de couvercle de côté.



2. Posez l'électrobrosse sur une surface sèche propre pendant que vous videz le tambour ou changez le filtre.
3. Verser le contenu du tambour dans un récipient à ordures approprié.



Soufflerie

Votre aspirateur de liquides et de poussières peut souffler la sciure de bois et d'autres débris, et être utilisé comme soufflante pour les travaux au jardin, le nettoyage de la terrasse et diverses applications dans un atelier.

REMARQUE : l'orifice de soufflerie est situé à l'extrémité opposée de l'orifice d'aspiration.

⚠ AVERTISSEMENT : portez toujours des protecteurs oculaires de sécurité conformes à la norme ANSI Z87.1 (ou, au Canada), ACNOR Z94.3) avant d'utiliser l'aspirateur comme une soufflante.

⚠ AVERTISSEMENT : pour ne pas risquer de causer des blessures à d'autres personnes, il est recommandé de leur demander de rester à distance suffisante des débris soufflés.

⚠ MISE EN GARDE : portez un masque anti-poussière si votre soufflage crée de la poussière qui pourrait être aspirée.

⚠ MISE EN GARDE : pour réduire le risque d'endommagement de l'ouïe, portez des protecteurs d'oreilles quand vous utilisez l'aspirateur/la soufflante pendant de longues périodes ou quand vous l'utilisez dans un environnement bruyant.

Installation de la batterie

⚠ AVERTISSEMENT : mettez l'appareil hors tension avant de retirer ou d'installer une batterie.

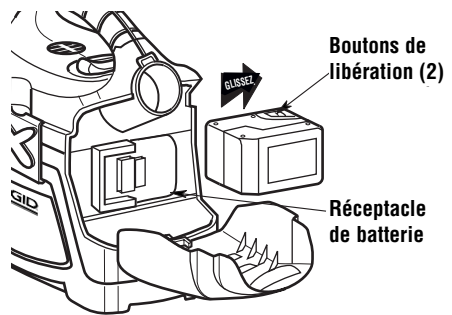
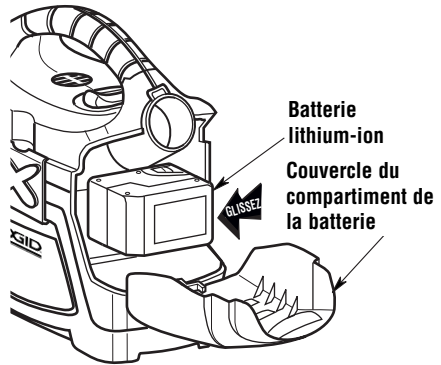
REMARQUE : la batterie au lithium-ion et le chargeur sont vendus séparément.

Installation de la batterie

REMARQUE : utilisez SEULEMENT des batteries de 18 volts de la marque RIDGID.

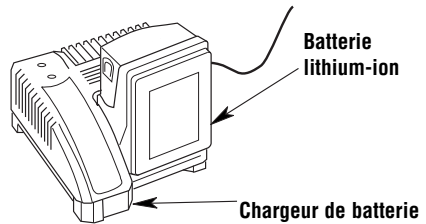
Le modèle WD03180 est compatible avec les types de batteries suivants : batteries de 18 V N° R84008, R840083, R840084, R840085, R840086 et R840087.

1. Tout en tenant d'une main la poignée de l'aspirateur de liquides et de poussières, tirez sur le couvercle du compartiment de la batterie.
2. Glissez la batterie complètement chargée dans le réceptacle de batterie jusqu'à ce que vous entendiez un déclic. N'appuyez pas encore sur les boutons de libération de la batterie.



Retrait de la batterie

1. Appuyez en même temps sur les deux boutons de libération situés de chaque côté de la batterie et glissez la batterie en dehors du réceptacle de batterie.
2. Branchez le chargeur dans une prise de courant et placez la batterie dans le chargeur pour recharger la batterie.

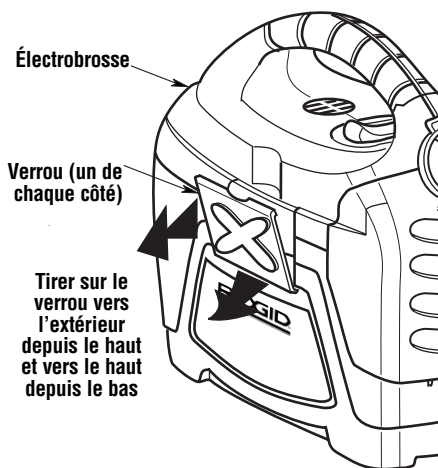


⚠ AVERTISSEMENT : pour réduire le risque de choc électrique, ne pas toucher la batterie avec les mains mouillées et ne pas placer la batterie dans le chargeur si elle est mouillée.

Entretien

Retrait du filtre

1. Saisissez les mécanismes de verrouillage du tambour (un se trouve sur le côté droit et l'autre sur le côté gauche de l'ensemble moteur). Retirez les mécanismes de verrouillage du tambour en tirant dessus doucement. Retirez l'ensemble moteur du tambour en tirant dessus. Mettez l'ensemble de couvercle de côté.
2. Pour retirer le filtre afin de le nettoyer ou de le remplacer, dévissez l'écrou de fixation du filtre de la cage contenant le filtre. Tenez les languettes du filtre dans chaque main.
3. En plaçant un pouce sur la vis filetée, qui dépasse à travers la plaque de filtre intégrée, soulevez les languettes du filtre tout en appuyant sur la vis.
4. Cette action aura pour effet que le filtre sera relâché de la cage du filtre. Faites glisser le filtre pour le sortir de la cage.



⚠ AVERTISSEMENT : ne retirez pas le filtre et la cage du filtre. Le flotteur empêche l'eau de pénétrer dans l'hélice et d'endommager le moteur. La cage empêchera les doigts d'entrer en contact avec l'hélice en train de tourner.

Installation du filtre

1. Faites glisser délicatement le filtre par-dessus la cage du filtre et appuyez sur le bord extérieur du filtre jusqu'à ce que le joint d'étanchéité en caoutchouc sur le dessous du filtre soit solidement installé autour de la base de la cage du filtre et contre le couvercle.
2. Alignez le petit trou central en haut du filtre au-dessus du goujon fileté sur la cage du filtre en lui permettant de dépasser.

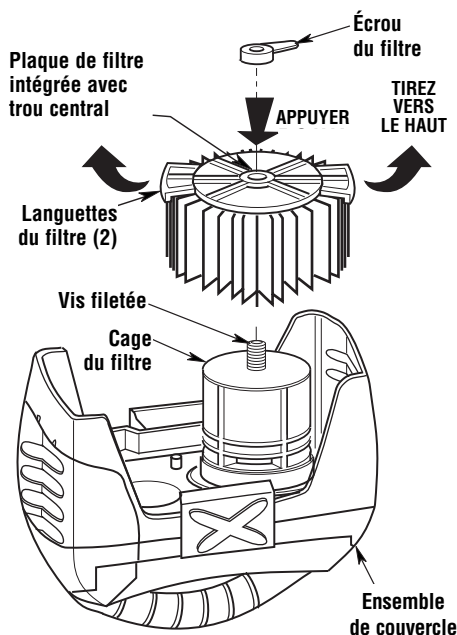
REMARQUE : le filtre prendra la forme de la cage de filtre ovale quand il aura été mis en place.

3. Placez l'écrou de fixation du filtre sur la vis filetée et serrez. Serrez seulement à la main.

REMARQUE : le levier de l'écrou de fixation du filtre devrait être orienté dans le sens opposé à celui du capuchon du filtre, comme illustré.

IMPORTANT : ne serrez pas excessivement étant donné que cela risquerait de déformer ou de fissurer la cage du filtre ou le filtre lui-même.

4. Pour assembler le bloc moteur sur le tambour, positionnez le bloc moteur au-



dessus du tambour de telle façon que les loquets du tambour soient alignés sur la cavité du tambour. (Le bloc moteur ne tiendra sur le tambour que d'une seule façon.)

5. Positionnez le bas du loquet dans la cavité du tambour. Appuyez sur le haut du loquet vers le bloc moteur pour verrouiller en place.
6. Votre aspirateur est maintenant prêt pour l'emploi.

Entretien (suite)

Filtere

▲ AVERTISSEMENT : pour réduire le risque de blessure pouvant résulter d'une mise en marche accidentelle, retirez la batterie avant de changer le filtre

REMARQUE : le filtre est fait de papier de qualité élevée conçu pour intercepter les très petites particules de poussière. Le filtre peut être utilisé pour l'aspiration de faibles volumes de liquides ou pour l'aspiration de poussières. Manipuler le filtre avec précaution lors de son nettoyage ou de son installation. Les plis du filtre peuvent être froissés pendant l'installation, mais cela n'aura aucune influence sur la performance du filtre.

IMPORTANT : pour éviter d'endommager le moteur et la roue de la soufflerie, toujours réinstaller le filtre avant d'utiliser l'aspirateur pour ramasser des matériaux secs.

Nettoyage d'un filtre sec

REMARQUE : pour obtenir les meilleurs résultats lors du nettoyage après l'accumulation de poussière, nettoyer le filtre dans un endroit non clos. Le nettoyage DOIT être effectué à l'extérieur – pas dans des locaux d'habitation.

1. Le retrait de certains débris secs peut être accompli sans enlever le filtre de l'aspirateur. Donner simplement un coup avec la main sur la partie supérieure de la poignée pendant que l'aspirateur est à l'arrêt.
2. Retirer le filtre de l'aspirateur. Tapoter doucement le filtre contre la paroi intérieure du tambour à poussière. Les débris se détacheront et tomberont.
3. Pour un nettoyage complet d'un filtre sec couvert de particules fines (pas de débris), il est conseillé de placer le filtre sous un robinet comme indiqué à la rubrique « Nettoyage d'un filtre humide »

Nettoyage d'un filtre humide

Une fois le filtre retiré, faites couler de l'eau au travers du filtre à l'aide d'un tuyau d'arrosage ou d'un robinet. Veillez à ce que la pression de l'eau sortant du tuyau d'arrosage ne soit pas si forte qu'elle pourrait endommager le filtre.

IMPORTANT : inspecter le filtre après le nettoyage pour s'assurer qu'il n'est pas déchiré ou troué. Ne pas utiliser un filtre déchiré ou troué. Même un petit trou peut permettre à beaucoup de poussière de sortir de l'aspirateur.

Remplacez votre filtre immédiatement s'il est endommagé ou usé.

Laissez le filtre sécher avant de le réinstaller et de ranger l'aspirateur ou de ramasser des débris secs.

Nettoyage et désinfection de l'aspirateur de liquides et de poussières

Pour conserver l'esthétique optimale de votre aspirateur de poussières et de liquides, nettoyez la surface extérieure de l'aspirateur à l'aide d'un chiffon imbibé d'eau tiède savonneuse.

Procédure de nettoyage du tambour :

1. Vider les débris.
2. Nettoyez soigneusement le tambour à poussière à l'aide d'un savon doux et d'eau tiède.
3. Essuyer avec un chiffon sec.

Avant de ranger l'aspirateur pour une période prolongée, ou dans les cas nécessaires (par exemple après l'aspiration d'eaux usées), vous devez désinfecter le tambour.

Entretien (suite)

Pour désinfecter le tambour :

1. Versez un gallon (presque 4 litres) d'eau et une cuillerée à thé de produit à blanchir à l'eau de javel dans le tambour.
2. Laissez la solution agir pendant 20 minutes, en remuant doucement de temps à autre pour vous assurer que toutes les surfaces du tambour restent humides.
3. Videz le tambour au bout de 20 minutes. Rincez à l'eau jusqu'à ce que l'odeur d'eau de javel ait disparu. Laissez sécher le tambour complètement avant de sceller le moteur sur le tambour.

Rangement

Avant de ranger votre aspirateur, vous devez vider et nettoyer le tambour à poussières. Vous devez garder les accessoires au même endroit que l'aspirateur de façon à pouvoir y accéder facilement. Vous devez ranger l'aspirateur à l'intérieur d'un bâtiment.

▲ AVERTISSEMENT : pour assurer la SÉCURITÉ et la FIABILITÉ du produit, les réparations et réglages doivent être effectués par des centres agréés de service après-vente en utilisant toujours des pièces de rechange RIDGID.

Pièces de rechange

Aspirateur de liquides et de poussières sans fil de 11,4 litres (3 gallons des États-Unis) Modèle N° WD03180

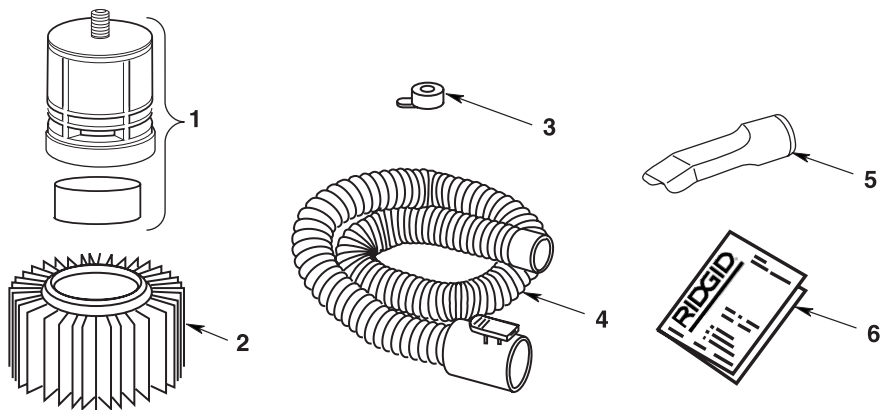
Les pièces RIDGID sont disponibles sur notre site Web à l'adresse suivante : www.ridgidparts.com

Pour commander, utiliser toujours le numéro de pièce – pas le numéro de légende

N° Légende	Pièce N°	Description
1	832048	Cage de filtre avec flotteur
2	VF3500	† Filtre
3	73316	Écrou du filtre

N° Légende	Pièce N°	Description
6	VT1782	Tuyau flexible extensible
7	VT1781	Outil universel
8	SP6920	Mode d'emploi

† Ces pièces de rechange sont en vente partout où des aspirateurs de liquides et de poussières RIDGID sont en vente.



Remarques

Remarques



- **Ce qui est couvert par la garantie**

Les aspirateurs de liquides et de poussières RIDGID® sont garantis sans défauts de matériau ou de façon.

- **Durée de la garantie**

Cette garantie est valable pendant toute la durée de vie de l'aspirateur de liquides et de poussières RIDGID®.

- **Le service après-vente**

Pour tirer parti de cette garantie, le produit complet doit être renvoyé en port payé à RIDGE TOOL COMPANY, Elyria, Ohio ou bien à un quelconque CENTRE DE SERVICE APRÈS-VENTE RIDGID® AGRÉÉ. Les clés à tube et autres outils à main devront être renvoyés au point de vente où ils ont été achetés.

- **Les mesures de rectification des problèmes**

Les aspirateurs de liquides et de poussières sous garantie seront réparés ou remplacés, au choix de Ridge Tool Company, et ils vous seront renvoyés gratuitement; ou, si au bout de trois tentatives de réparation ou de remplacement pendant la période de garantie, l'aspirateur de liquides et de poussières est toujours défectueux, vous pourrez demander à obtenir un remboursement intégral de votre prix d'achat.

- **Ce qui n'est pas couvert par la garantie**

Les défaillances causées par une utilisation abusive ou non conforme aux instructions, ou par l'usure ordinaire, ne sont pas couvertes par cette garantie. **RIDGE TOOL COMPANY N'EST RESPONSABLE D'AUCUN DOMMAGE SECONDAIRE OU INDIRECT.**

- **Effet des lois locales sur cette garantie**

Au Canada, certaines provinces ne permettent peut-être pas l'exclusion ou la limitation des dommages secondaires ou indirects; par conséquent, il est possible que l'exclusion ou la limitation susmentionnée ne s'applique pas à vous. Cette garantie vous confère des droits contractuels spécifiques, et vous disposez peut-être d'autres droits qui peuvent varier d'une province à l'autre.

- **Aucune autre garantie expresse ne s'applique**

La présente GARANTIE À VIE COMPLÈTE est la garantie unique et exclusive concernant les produits RIDGID®. Aucun salarié, agent, distributeur ou autre n'est autorisé à modifier cette garantie ou à offrir une quelconque autre garantie de la part de Ridge Tool Company.

N° de catalogue **WD0318**

N° de modèle **WD03180**

Número de série _____

Vous trouverez le numéro de modèle et le numéro de série sur une étiquette à l'intérieur du compartiment de la batterie. Il est recommandé d'inscrire ces deux numéros en lieu sûr pour future référence.

**QUESTIONS OU COMMENTAIRES ? TÉLÉPHONER AU
1-800-4-RIDGID (1-800-474-3443)**

www.ridgidvac.com

Prière d'avoir votre numéro de modèle ainsi que votre numéro de série à portée de la main avant de nous appeler.



EMERSON™

Commercial & Residential Solutions

© 2014 Emerson