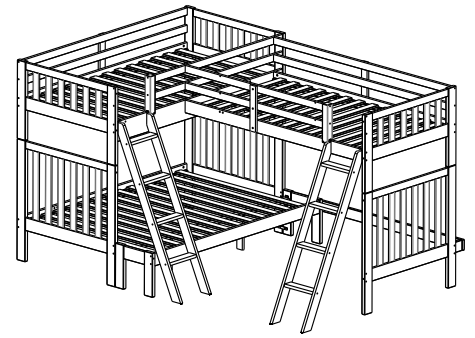


# ASSEMBLY INSTRUCTIONS

## TRI-BUNK AND FULL- BUNK EXTENSION AURORA

Thank you for purchasing this quality product. Be sure to check all packing materials carefully for small parts which may have come loose inside the carton during shipment. Separate, identify and count all parts and hardware. Compare with the parts list to be sure all parts are present.



**“TO ALLOW FOR TOLERANCE DURING ASSEMBLY,  
DO NOT FIRMLY TIGHTEN BOLTS & SCREWS UNTIL COMPLETELY ASSEMBLED”**

### **SIZE OF MATTRESS AND FOUNDATION**

Use only Twin or Full Mattress with the following specifications on upper & lower bunks

Twin Mattress :37 1/2” - 39 1/8” Wide x 74”-75” long

Full Mattress :53 7/8” - 54 7/8” Wide x 74”-75” long

The total thickness of Mattress and Foundation should not exceed 7” inches.

Do not use mattress without proper safe foundation.

### **SAFETY WARNINGS!**

- 1-Follow the information on the warning label appearing on the upper bunk end structure and on the carton. Do not remove warning label from bed.
- 2-Always use the recommended size mattress or mattress support, or both, to help prevent the likelihood of entrapment or falls.
- 3-Surface of mattress must be at least 5 inches below the upper edge of guardrails.
- 4-Do not allow children under 6 years of age to use the upper bunk.
- 5-Prohibit more than one person on upper bunk.
- 6-Periodically check and ensure that the guardrail, ladder and other components are in their proper position, free from damage, and that all connectors are tight.
- 7-Do not allow horseplay on or under the bed and prohibit jumping on the bed.
- 8-Always use the ladder for entering and leaving the upper bunk.
- 9-Do not use substitute parts. Contact distributor or dealer for replacement parts.
- 10-Use of a night light may provide added safety precaution for a child using the upper bunk.
- 11-If the bunk bed will be placed next to a wall, the guardrail that runs the full length of the bed should be placed against the wall to prevent entrapment between the bed and the wall.
- 12-Always use guardrails on both long sides of the upper bunk.
- 13-The use of water or sleep flotation mattresses is prohibited.
- 14-Keep these instructions for future reference.

### **STRANGULATION HAZARD**

Never attach or hang items to any part of the bunk bed that are not designed for use with the bed. For example, but not limited to hooks, belts or jump ropes.

..Warning - On Beds with finials that can be configured as Bunk beds!

Effective on Bunk Beds manufactured on or after March 10th, 2008, finials cannot be used.

The finials provided with certain beds, which are part of the design of the bed, are to be used only in one of the lower configuration - that is as a Twin, Full, Queen or King configuration.

These finials are never to be used in the upper structure in a Bunk Bed configuration.

Using the finials in the upper structure of a Bunk Bed will create a strangulation hazard.

Never use finials in the upper structure of a Bunk Bed.

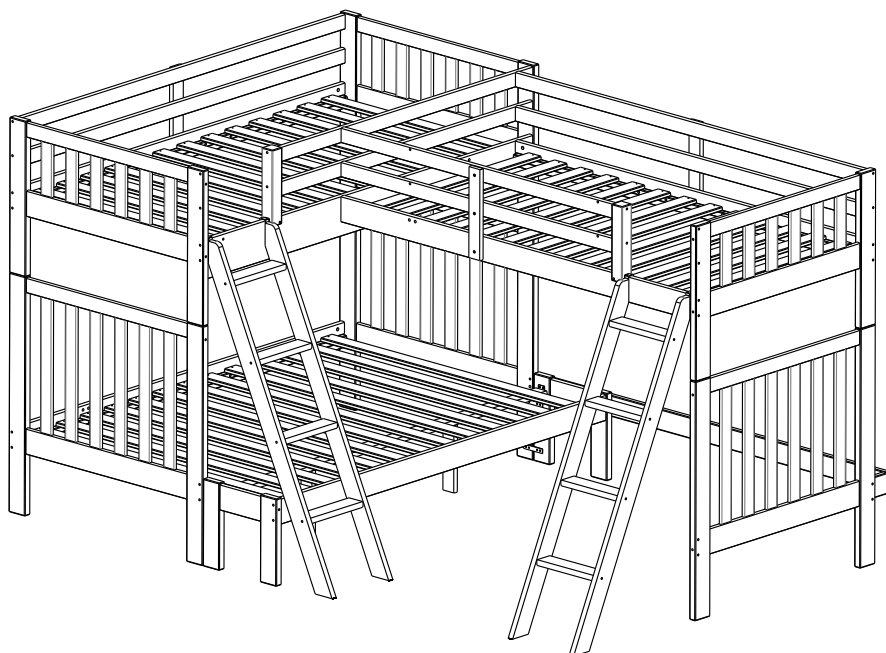
A flat Mushroom Cap made to conform to the requirement is provided to take place of finials in the upper structure in Bunk bed configurations.



**IMPORTANT: PLEASE READ INSTRUCTIONS BEFORE STARTING THE ASSEMBLY**

# ASSEMBLY INSTRUCTIONS

## TRI-BUNK AND FULL- BUNK EXTENSION AURORA



OPTION 1

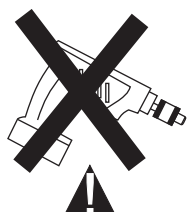


OPTION 2

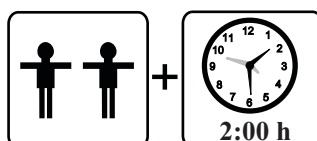


### REPLACEMENT PARTS

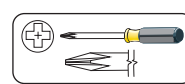
Please do not contact the company purchased from as we can help you faster.  
Order replacement parts and hardware at "[alaterrefurniture.com](http://alaterrefurniture.com)"



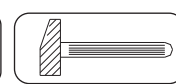
\* Use of power tool to assemble this product will invalidate any claim and damage this product making it unsafe!!!  
\* Please assemble on a clean soft surface to avoid damage.



### Tools Required

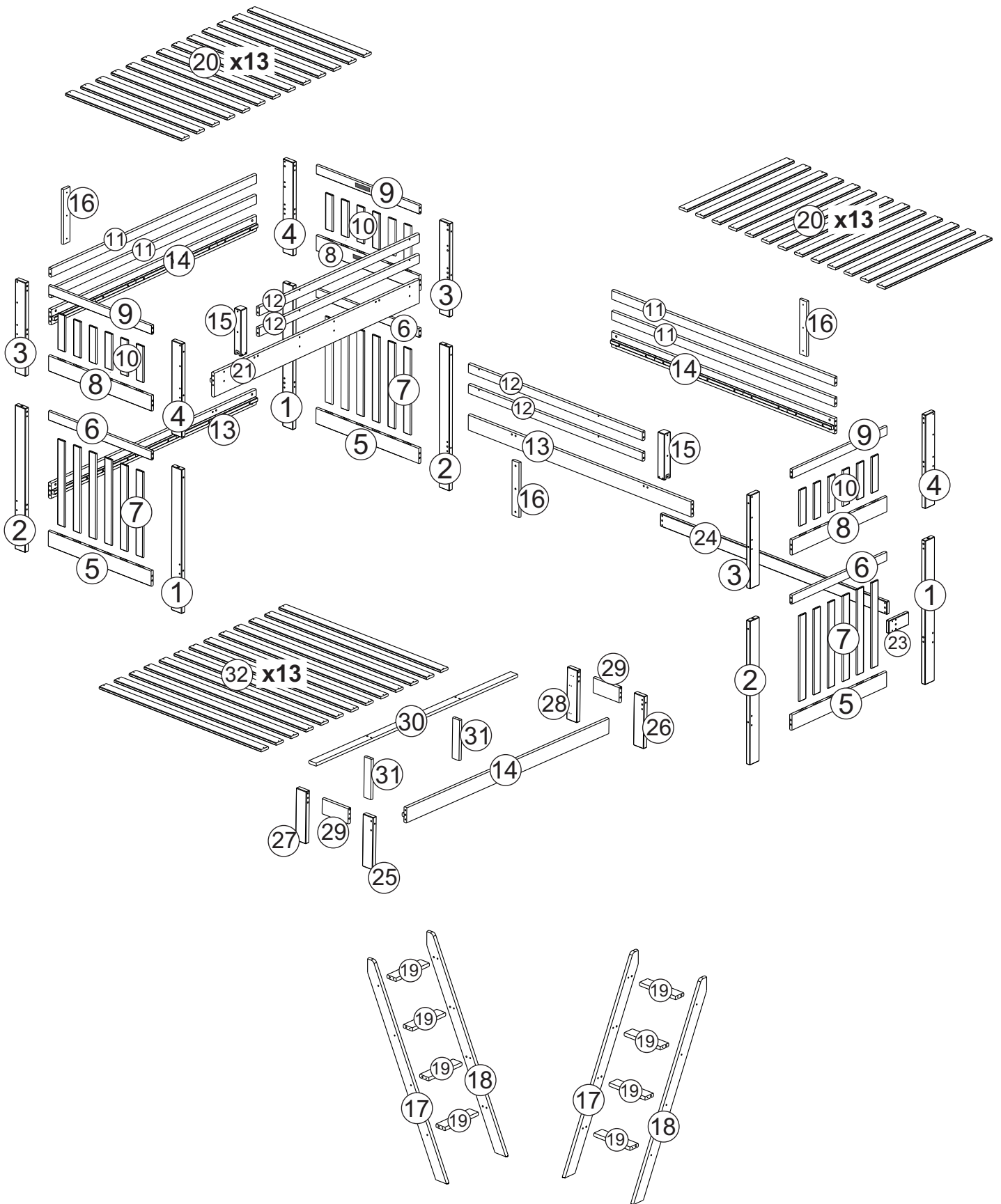


(Not included)

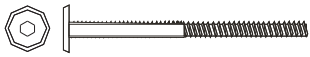
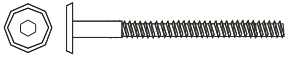
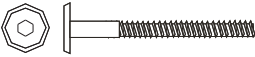
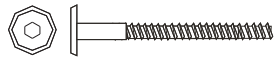

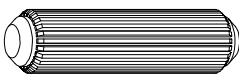
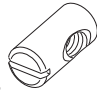


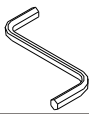
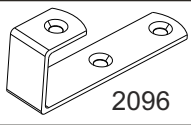
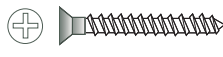
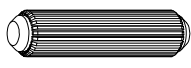

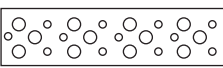
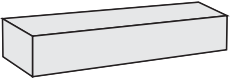

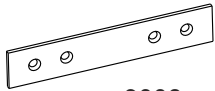
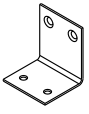






(Not included)

# Part List - Tri-Bunk and Full-Bunk Extension Aurora

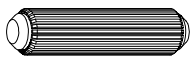


# Identifying the Hardware-Identify the hardware using the illustrations below.

|  |  |  |
|--|--|--|
| <p><b>A</b>  <b>20</b><br/>1/4 x 80 x 17mm</p>    | <p><b>B</b>  <b>28</b><br/>7 x 120 x 17mm</p> | <p><b>C</b>  <b>20</b><br/>7 x 60 x 17mm</p>      |
| <p><b>D</b>  <b>08</b><br/>7 x 70 x 17mm</p>      | <p><b>E</b>  <b>04</b><br/>7 x 100 x 17mm</p> | <p><b>F</b>  <b>06</b><br/>15X100</p>             |
| <p><b>G</b>  <b>26</b><br/>1/4</p>                | <p><b>H</b>  <b>78</b><br/>4,0 x 35</p>       | <p><b>I</b>  <b>36</b><br/>3,5 x 16</p>           |
| <p><b>J</b>  <b>02</b></p>                        | <p><b>K</b>  <b>04</b><br/>2096</p>           | <p><b>L</b>  <b>09</b><br/>4,0 x 30</p>           |
| <p><b>M</b>  <b>54</b><br/>10X50</p>              | <p><b>N</b>  <b>08</b><br/>HASTE 37mm</p>     | <p><b>O</b>  <b>04</b><br/>VELCRO - PROTECTOR</p> |
| <p><b>P</b>  <b>02</b><br/>SPACER - 71mm</p>     | <p><b>Q</b>  <b>18</b><br/>10X40</p>        | <p><b>R</b>  <b>04</b><br/>9008</p>              |
| <p><b>S</b>  <b>02</b><br/>4002</p>             | <p><b>T</b>  <b>04</b><br/>4,0 x 50</p>     | <p><b>U</b>  <b>06</b><br/>1/4 x 70 x 17mm</p>  |
| <p><b>V</b>  <b>02</b><br/>1/4 x 100 x 17mm</p> | <p><b>X</b>  <b>02</b><br/>4,0 x 40</p>     |  |

# 01

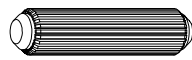
M



10X50

54

Q

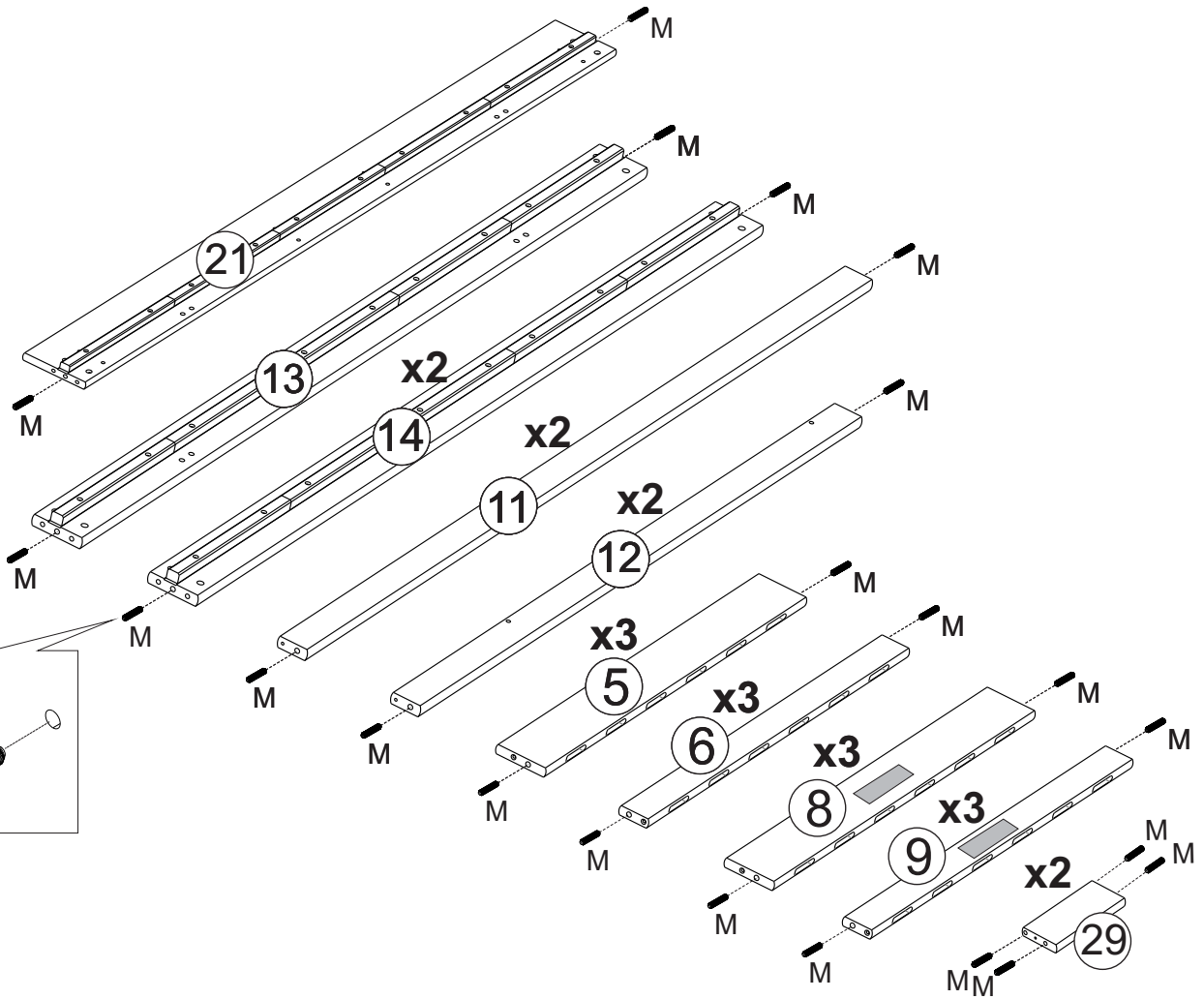


10X40

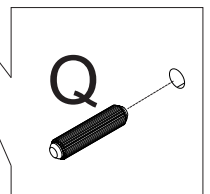
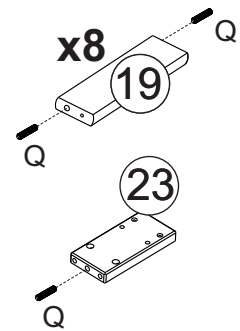
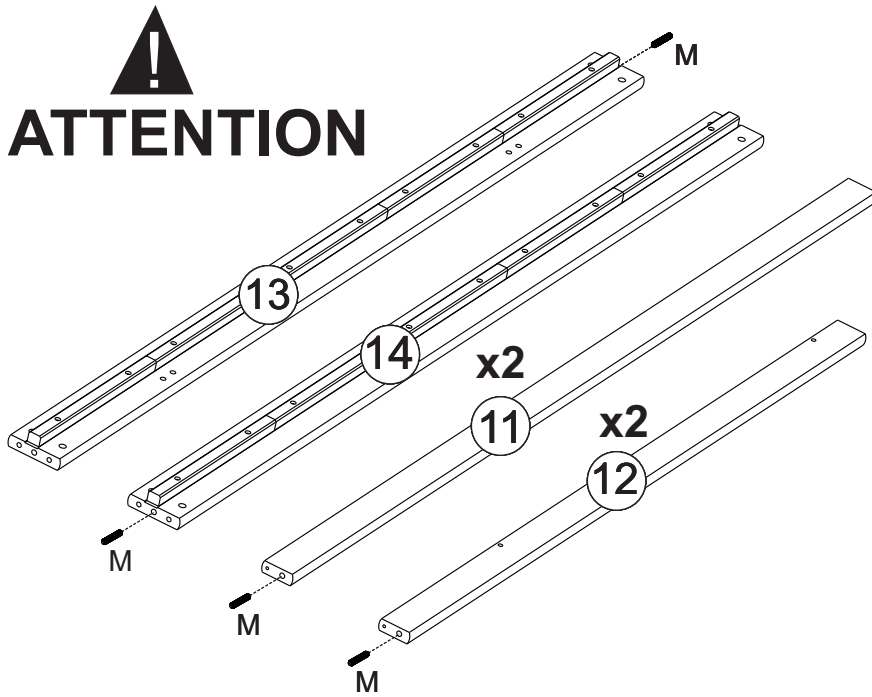
17



(Not included)

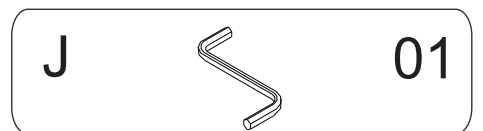
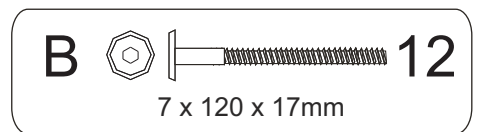
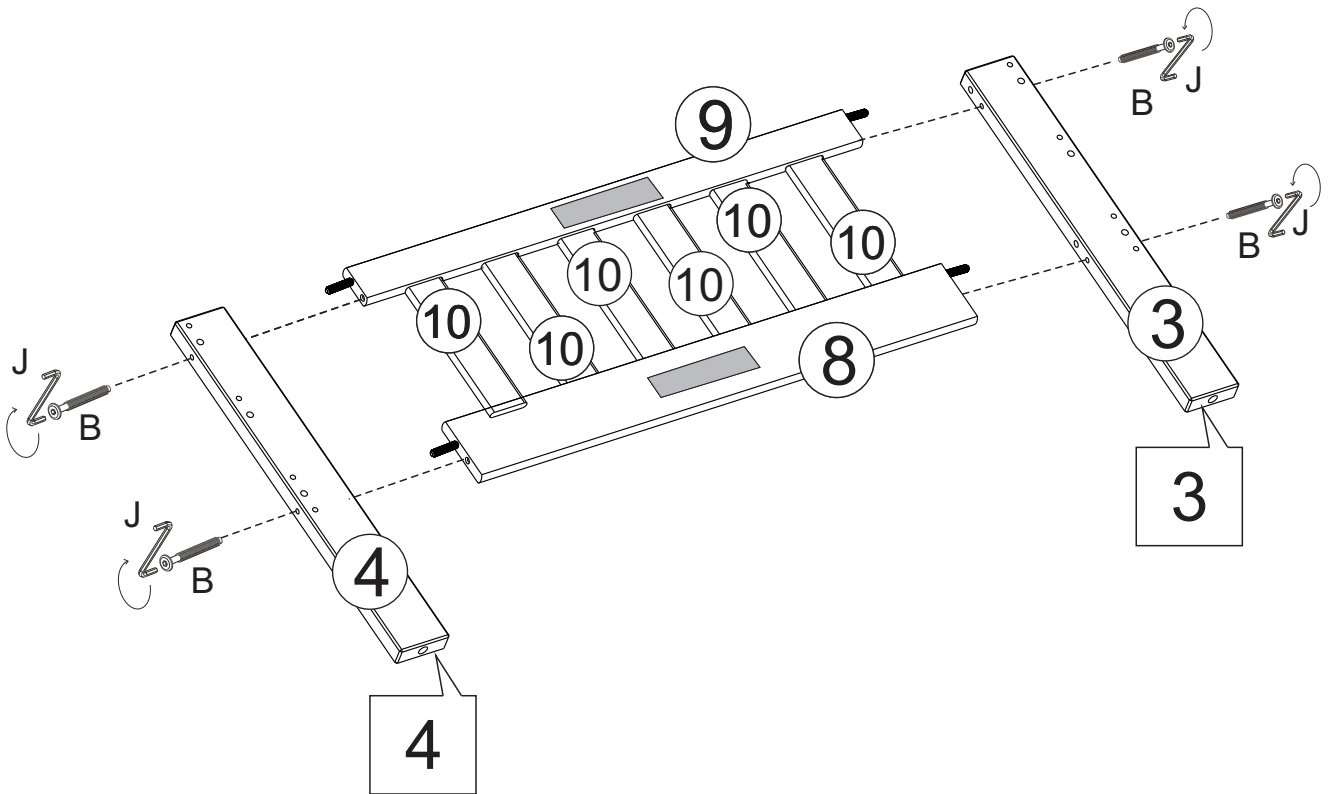
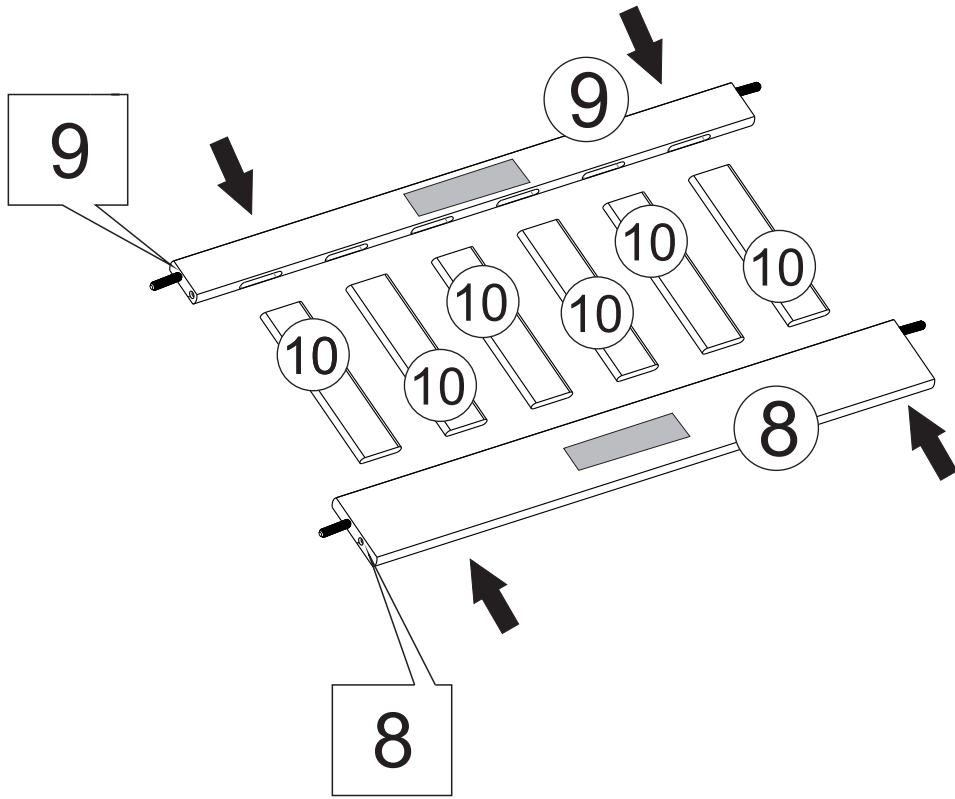


**ATTENTION**



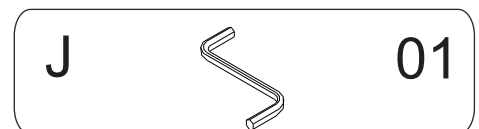
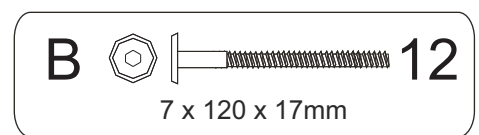
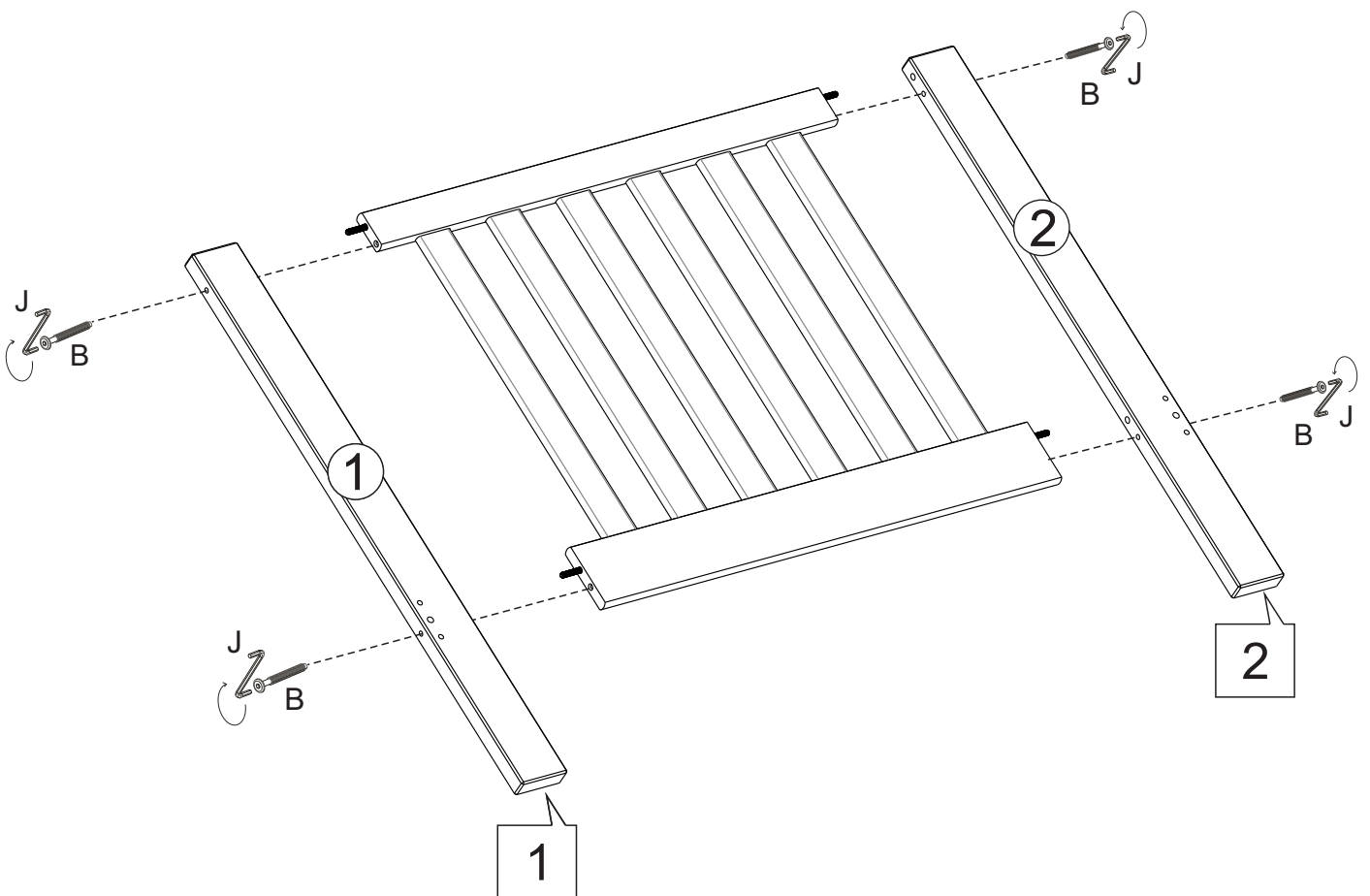
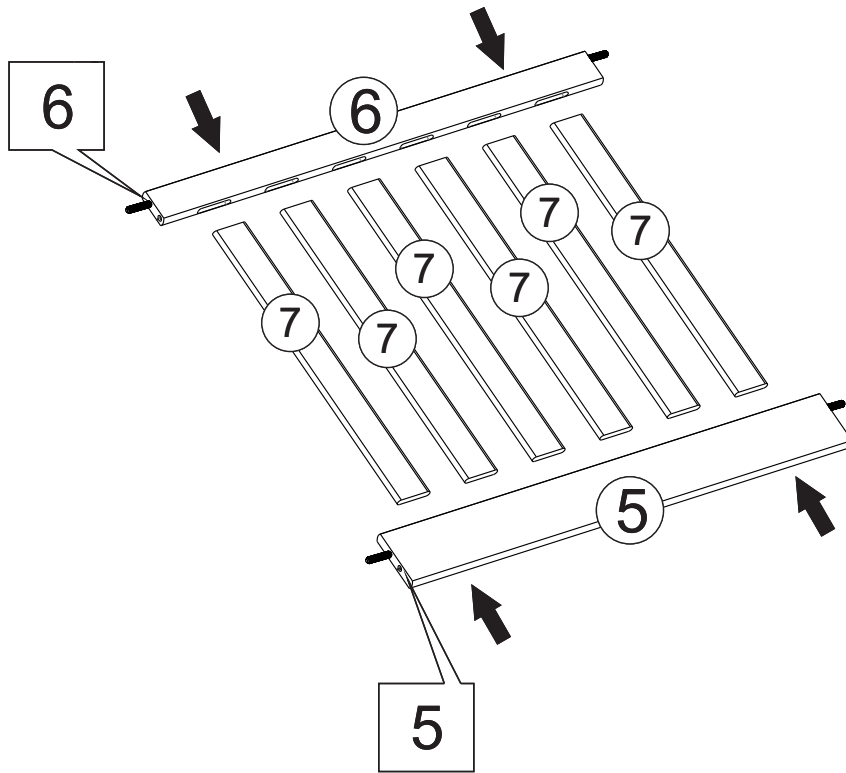
# 02

# x3




# 03

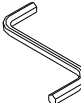
# x3

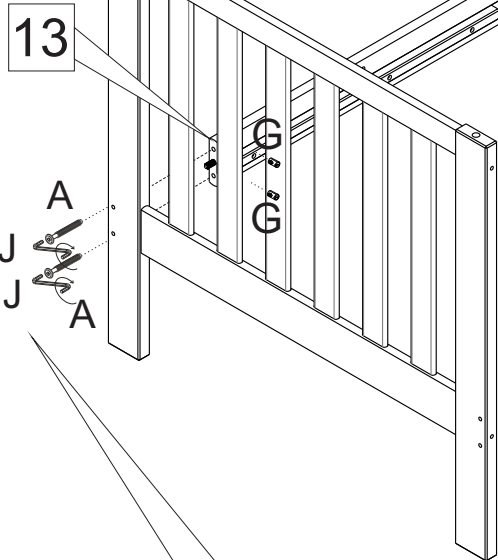
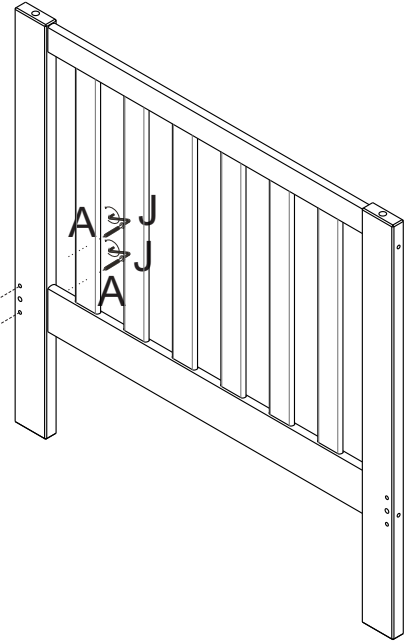


# 04

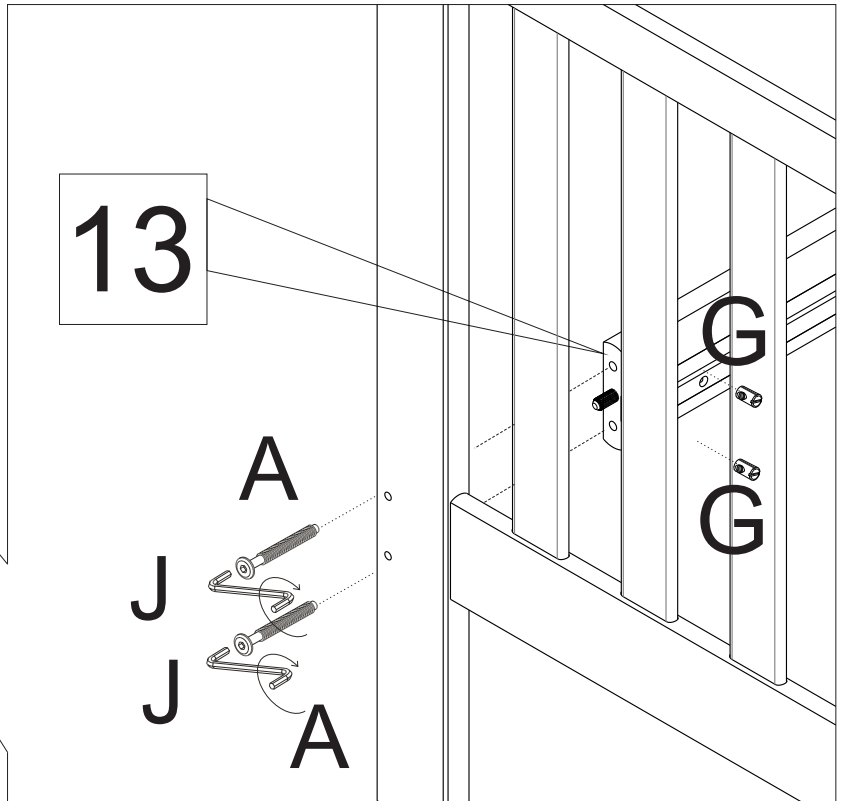
**A**  **04**  
1/4 x 80 x 17mm

**G**  **04**  
1/4

**J**  **01**





**13**

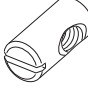




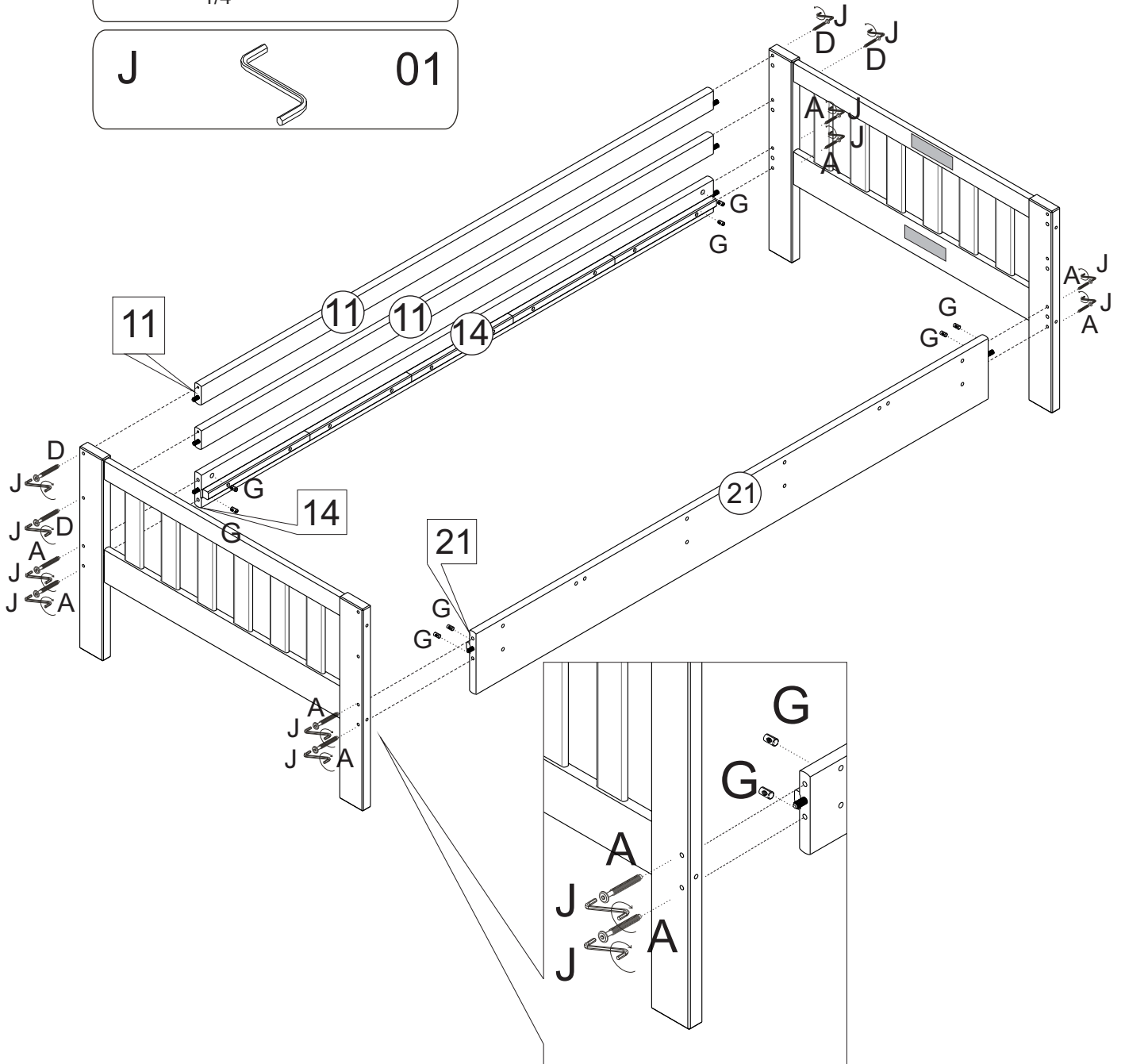
# 05

**A**   **08**  
1/4 x 80 x 17mm

**D**   **04**  
7 x 70 x 17mm

**G**  **08**  
1/4

**J**  **01**



# 06

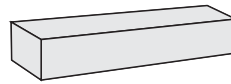
H



4,0 x 35

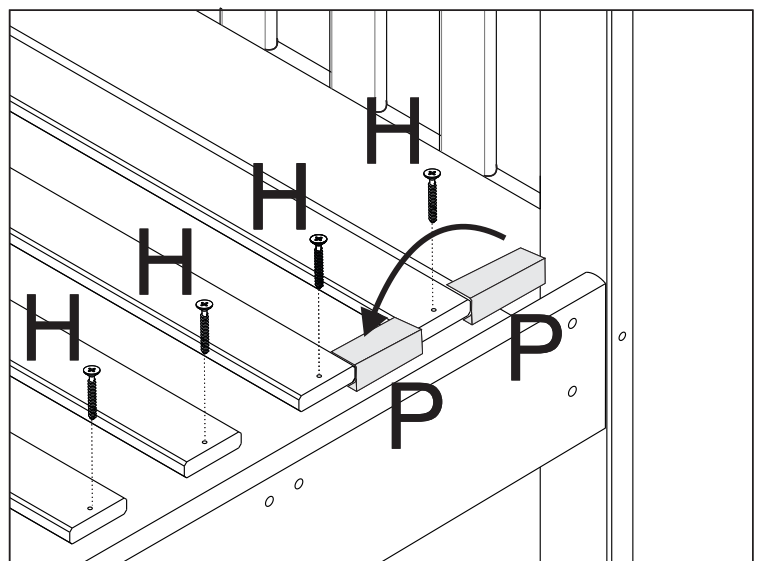
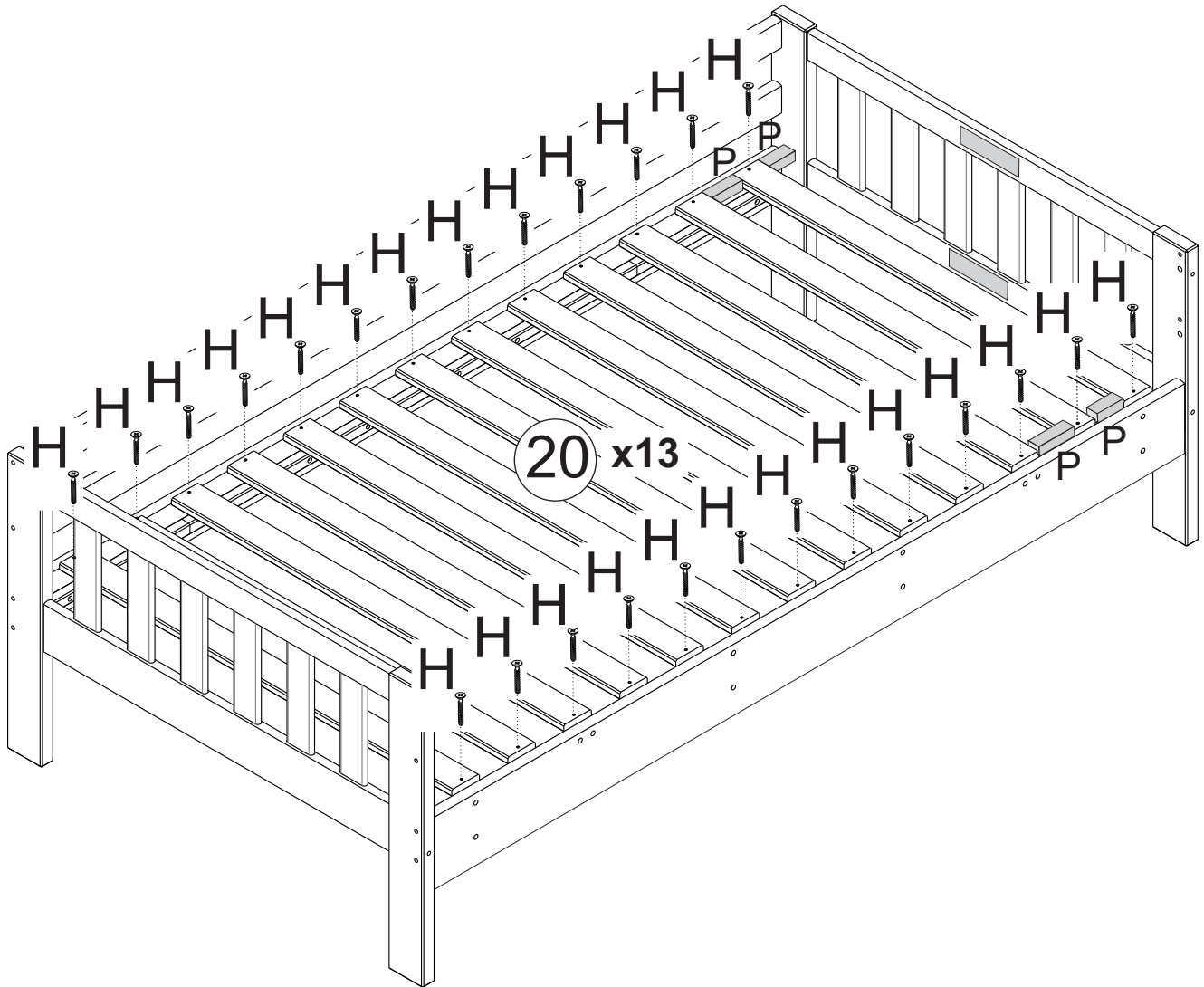
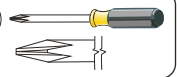
26

P



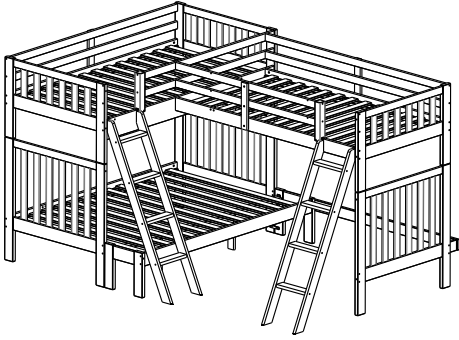
02

SPACER - 71mm

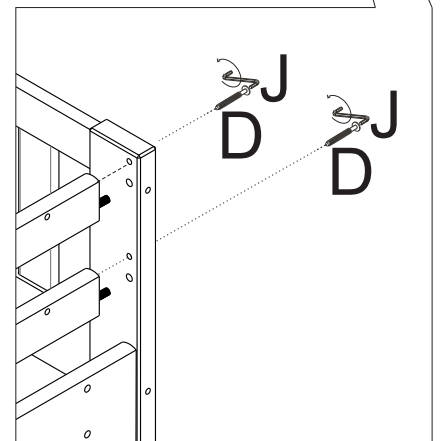
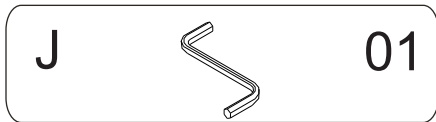
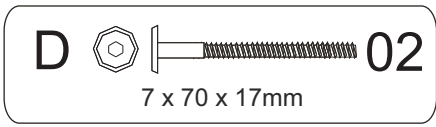
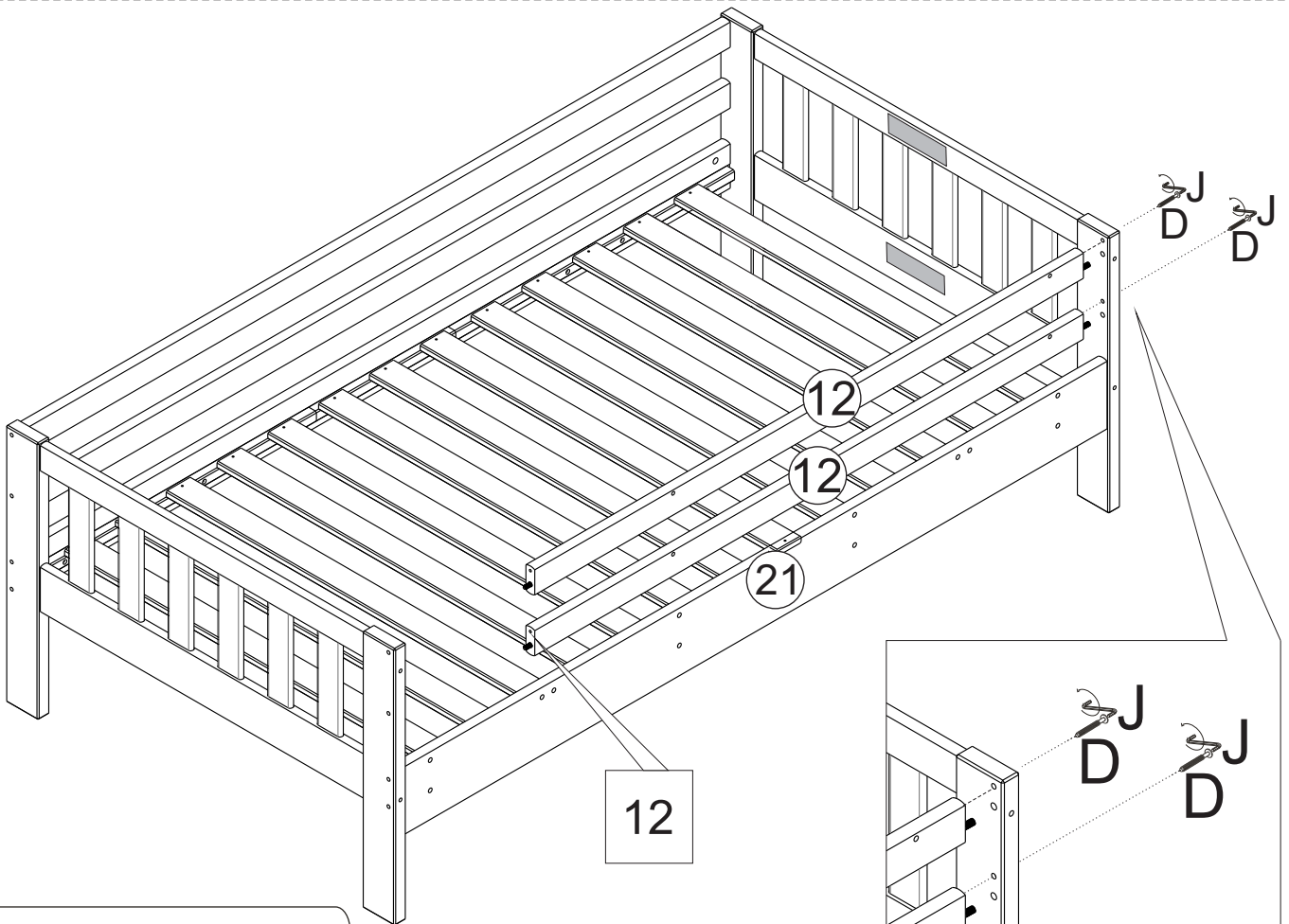
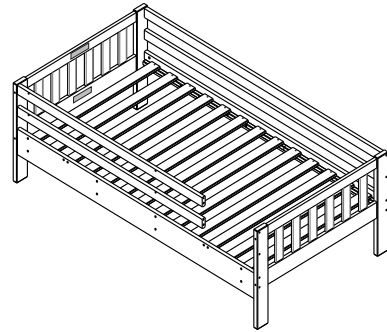
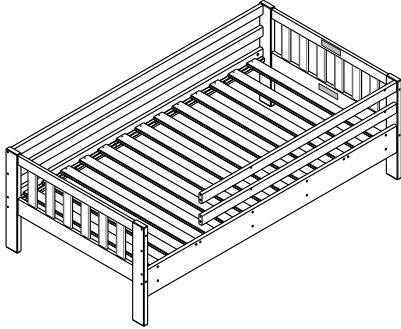


# 07

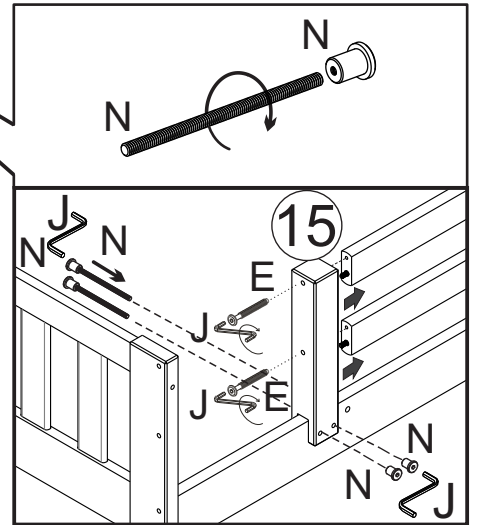
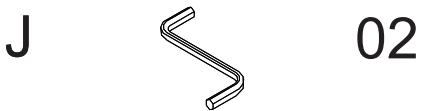
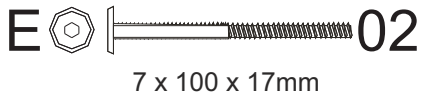
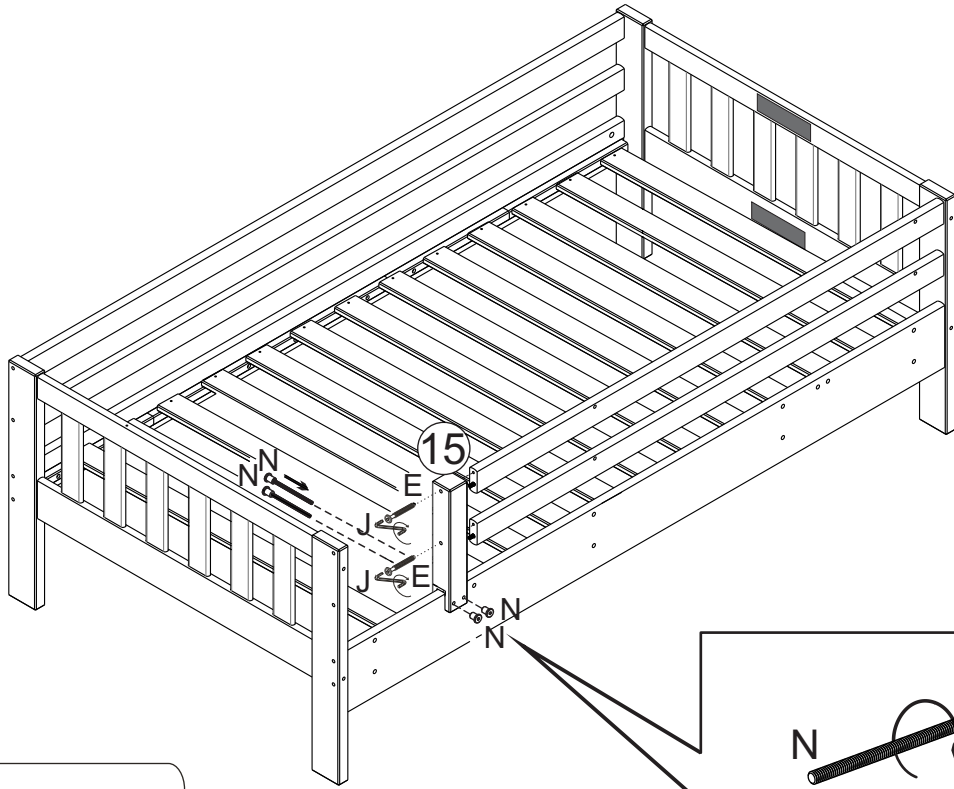
OPTION 1



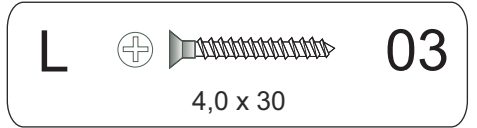
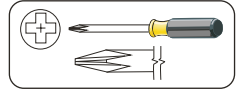
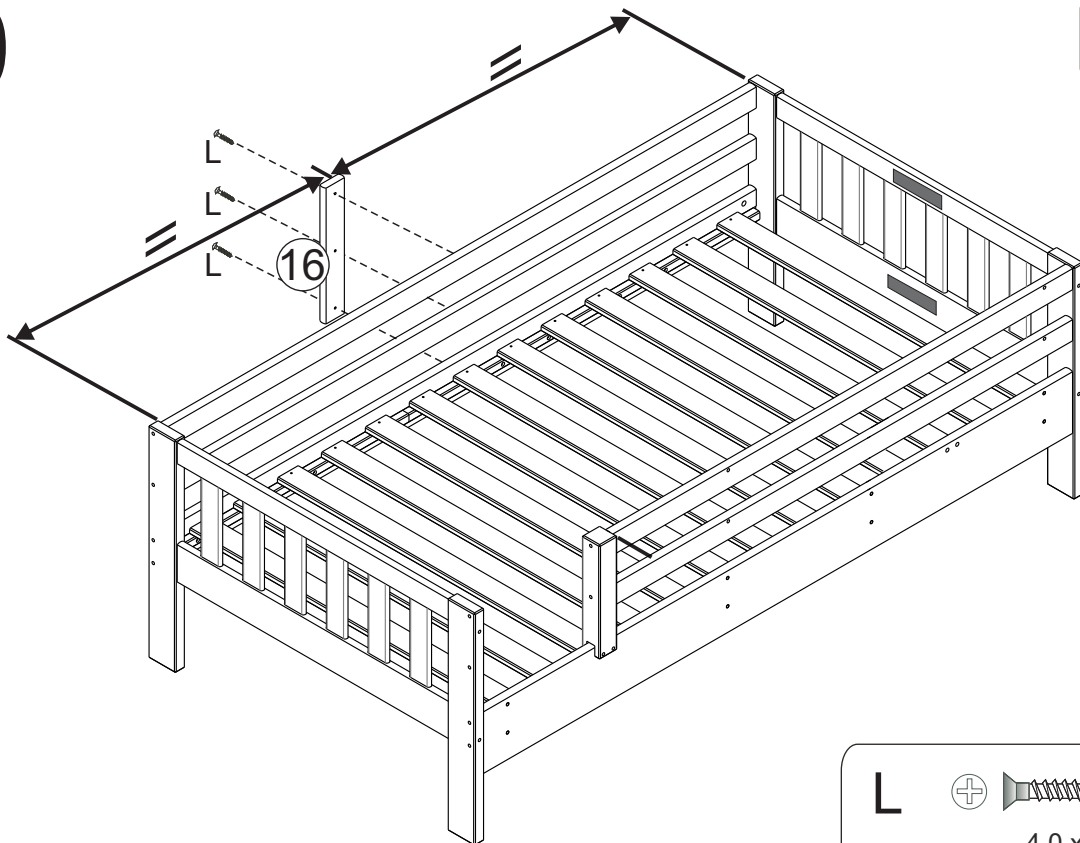
OPTION 2



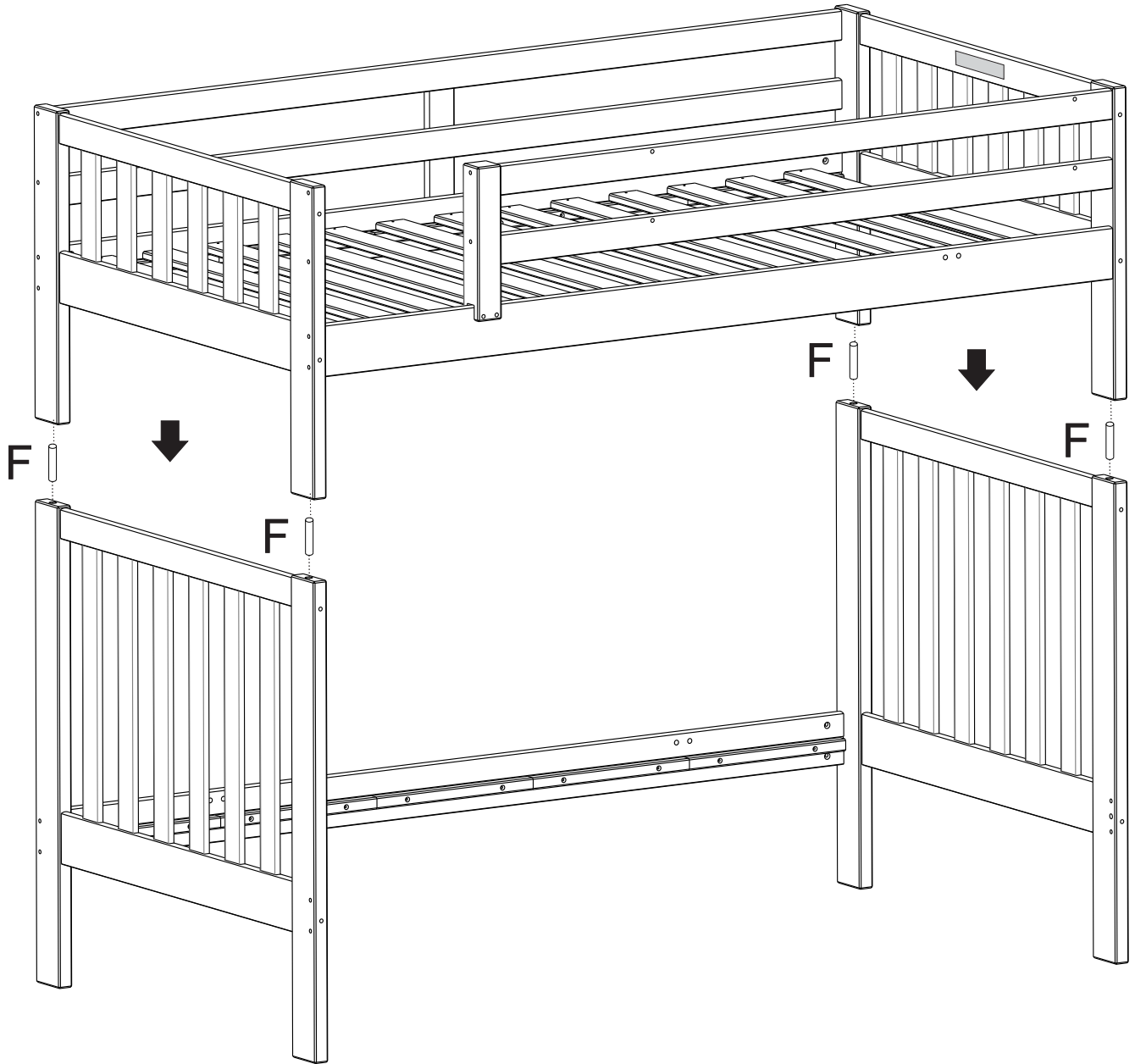
# 08



# 09



# 10



F

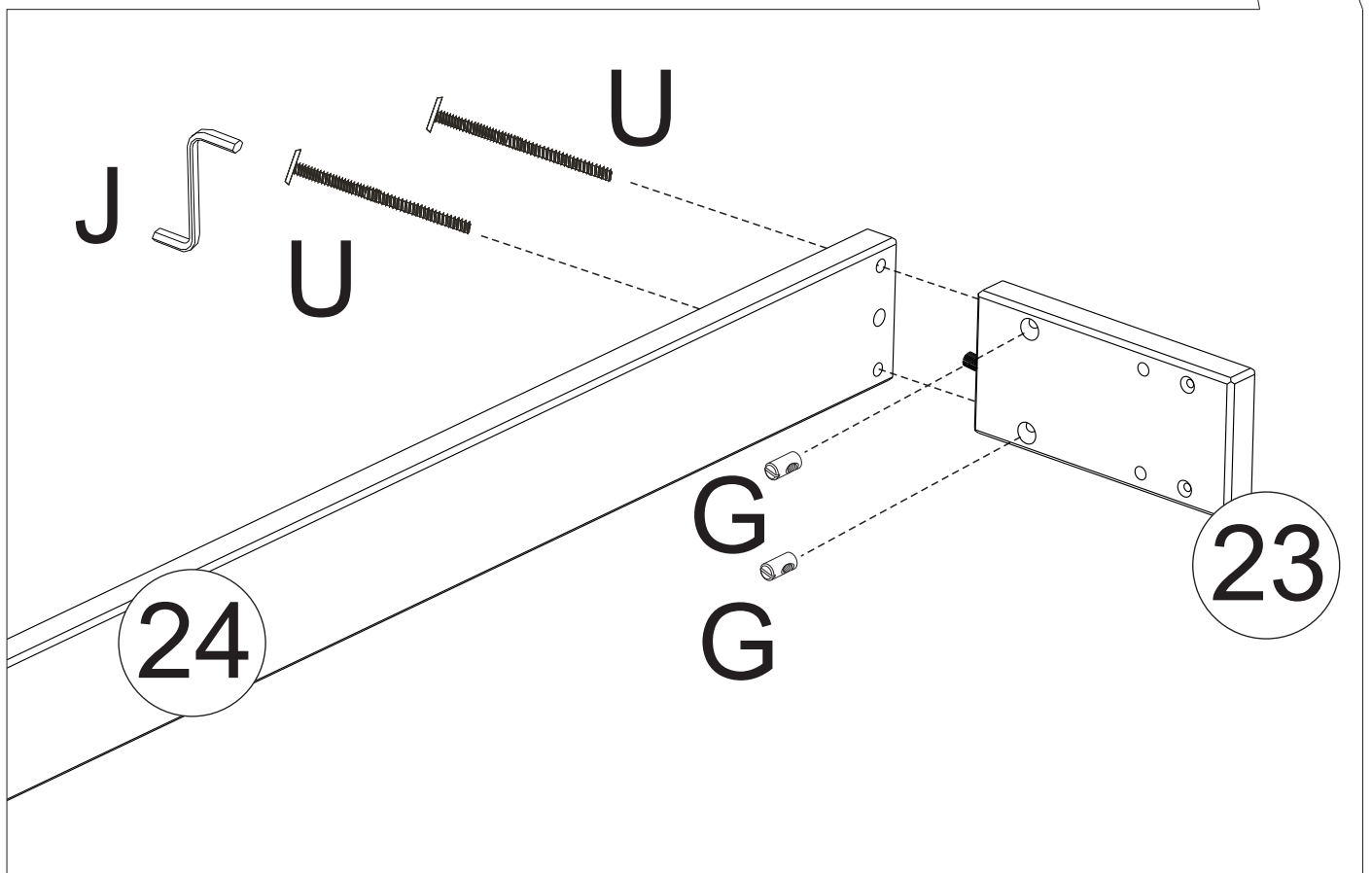
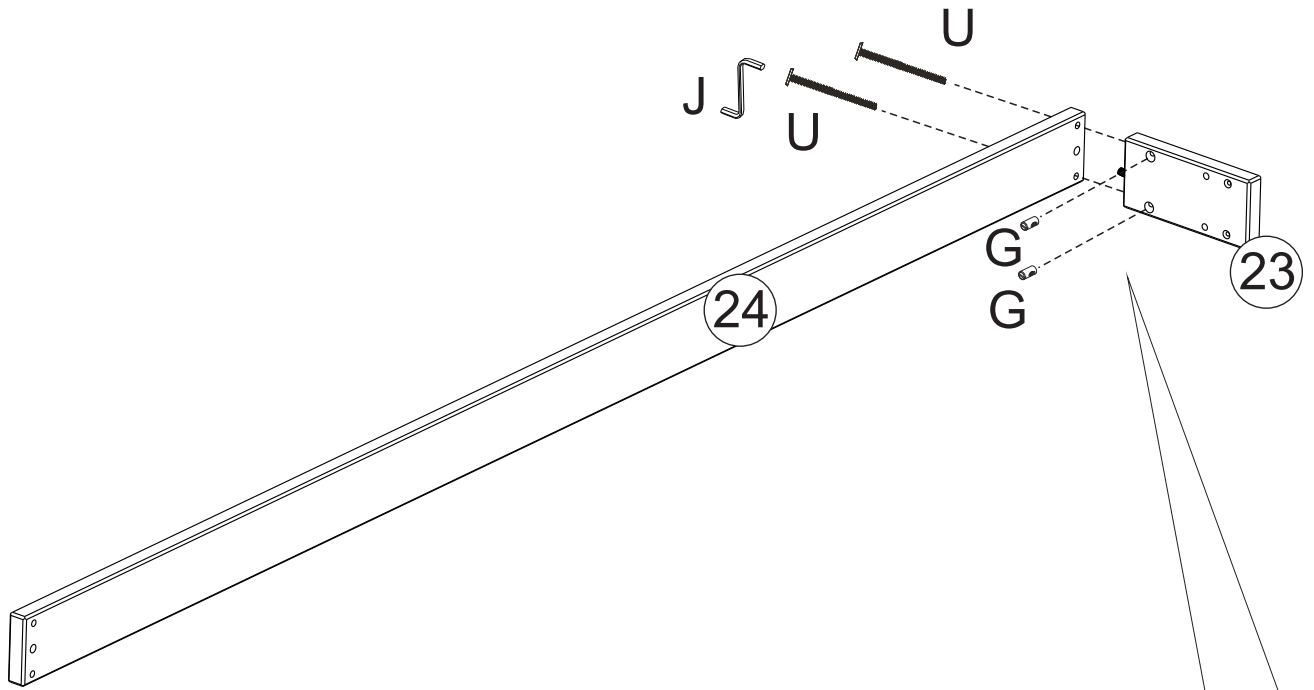
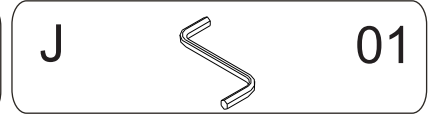
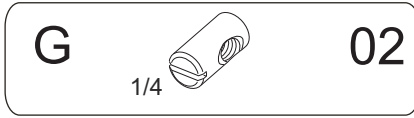
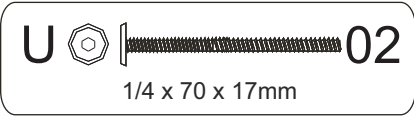


04

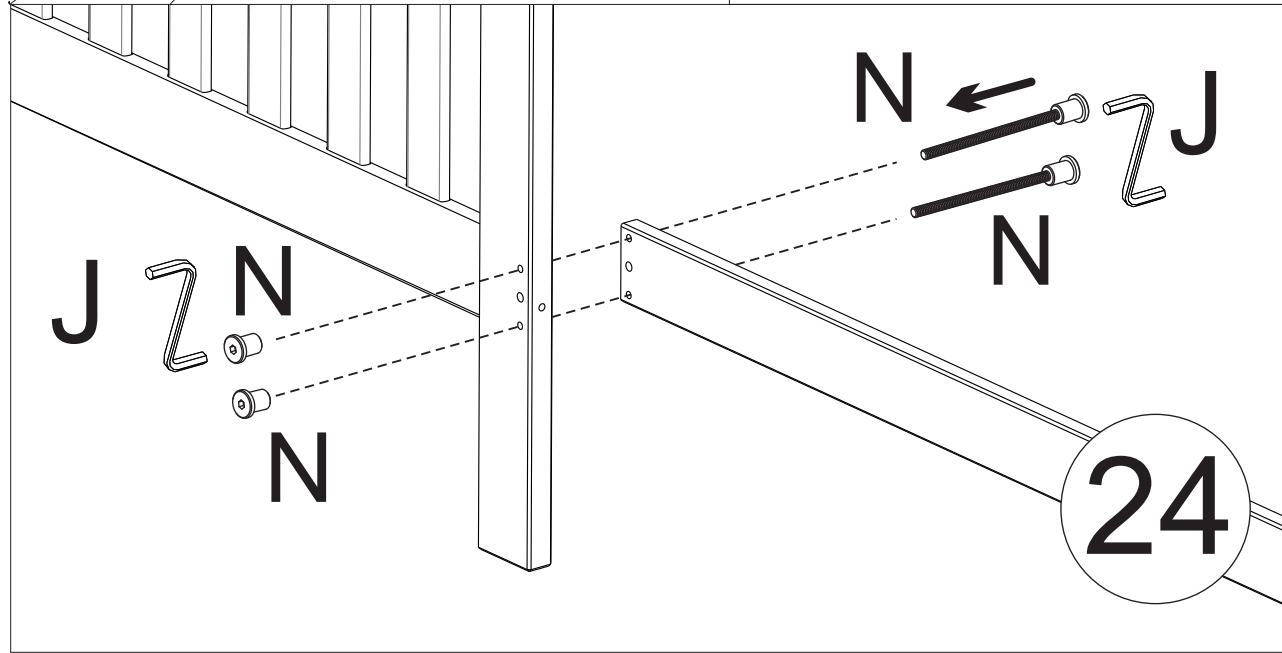
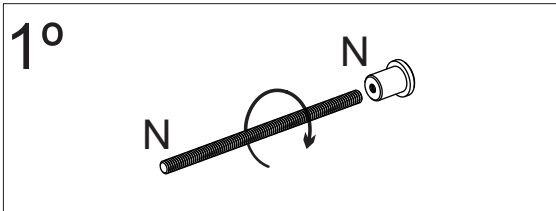
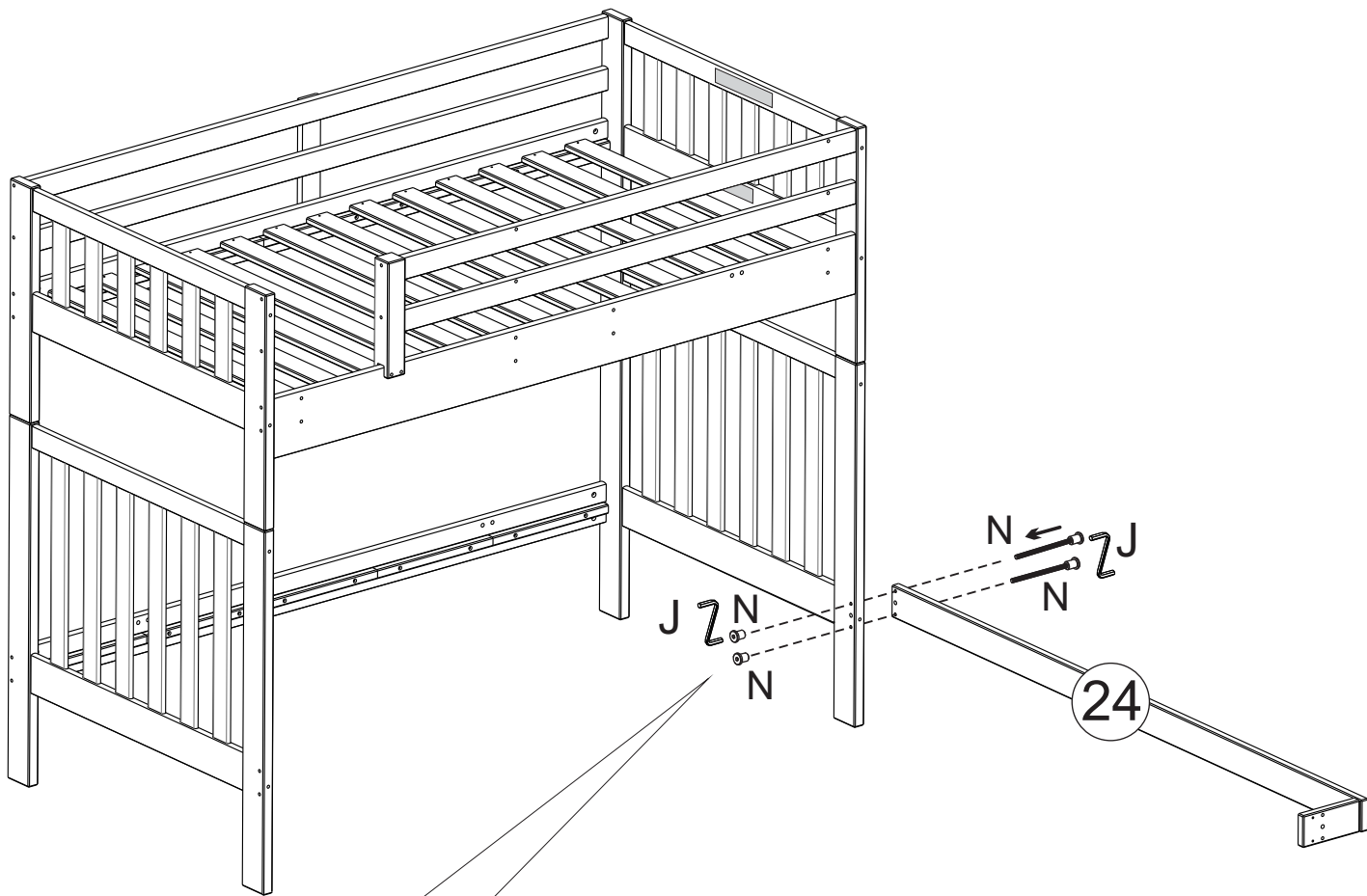
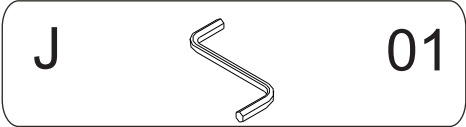
15X100

[www.alaterrefurniture.com](http://www.alaterrefurniture.com)

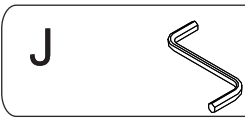
# 11



# 12



# 13



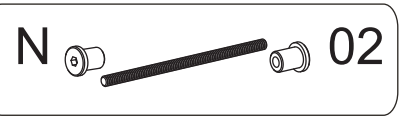
02

Q

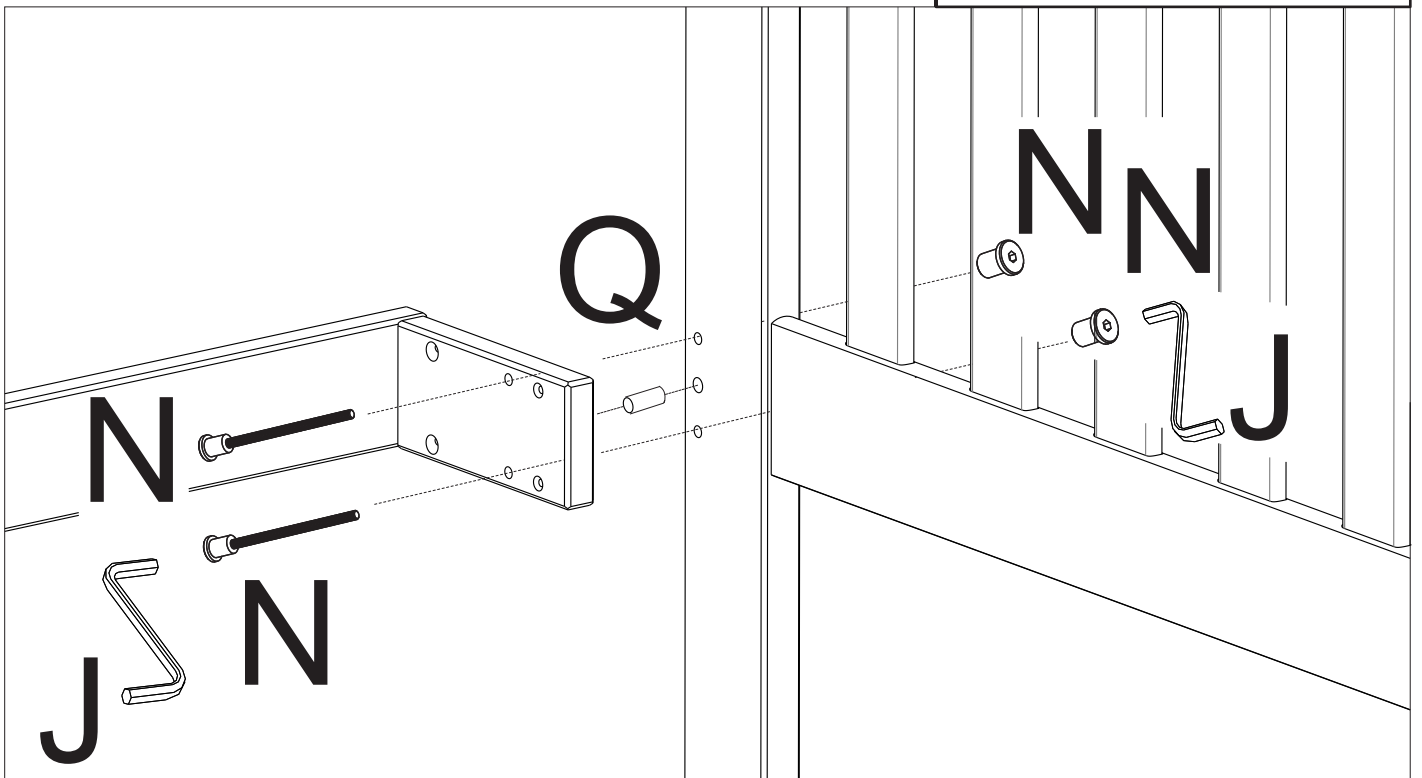
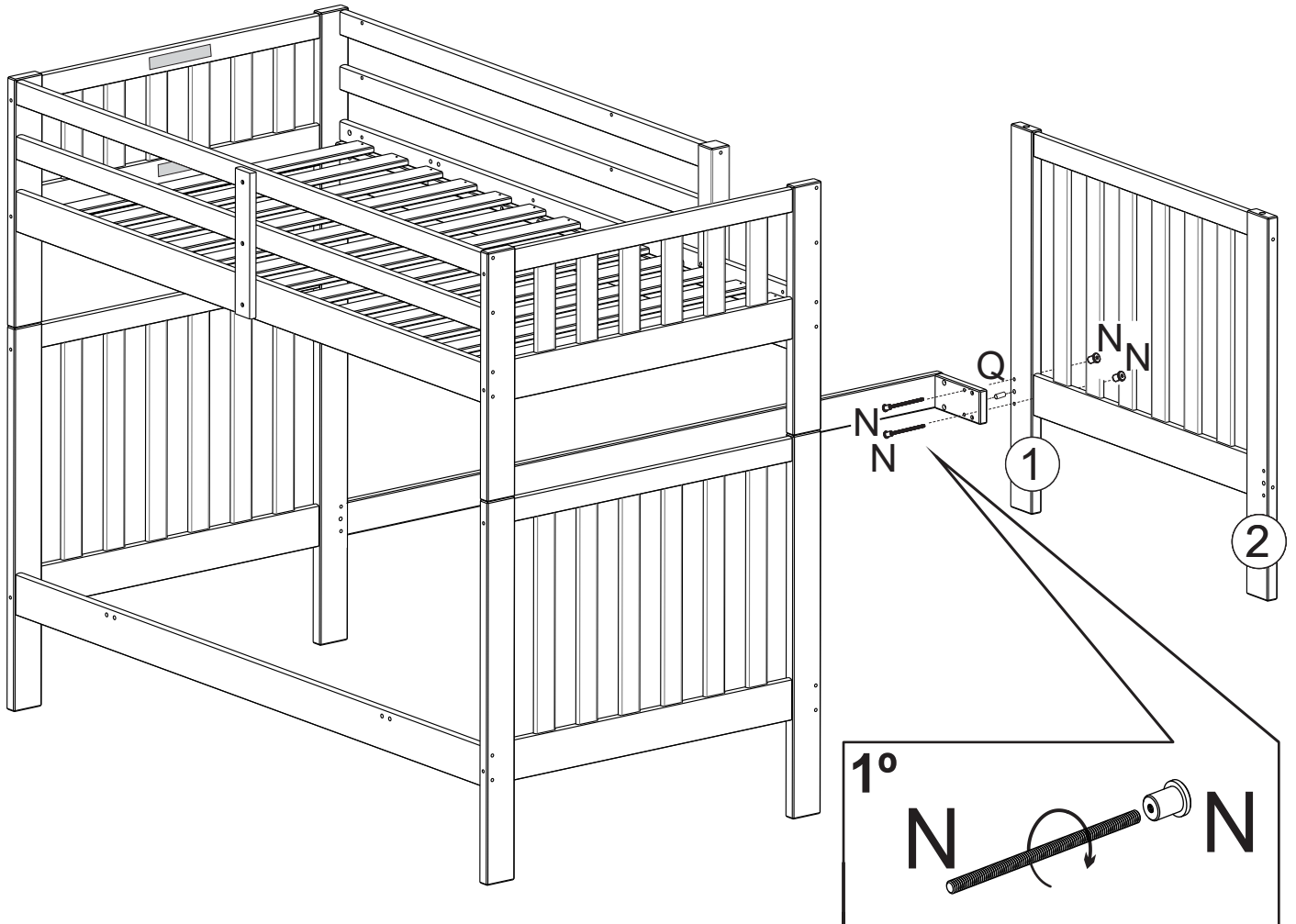


10X40

01

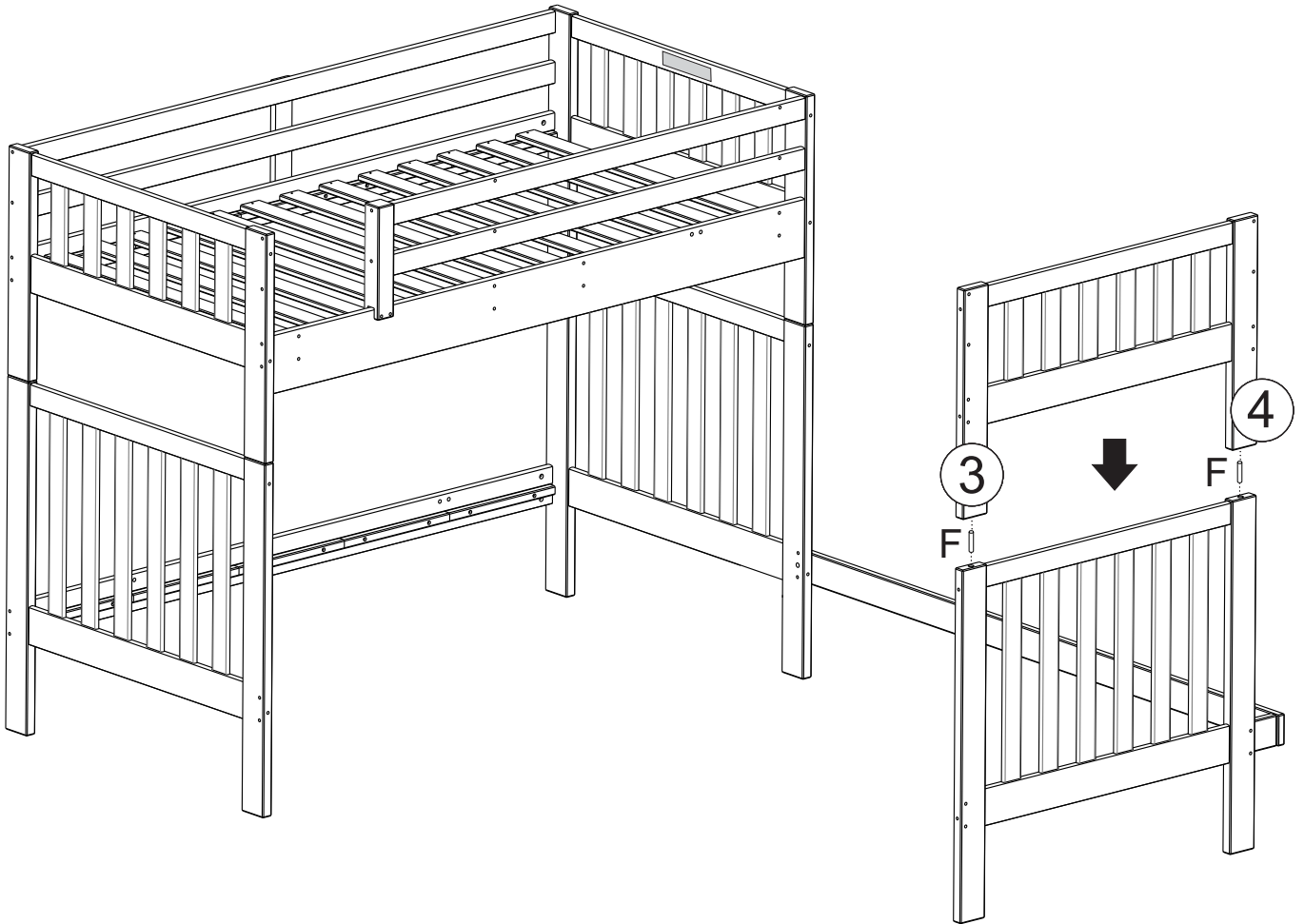
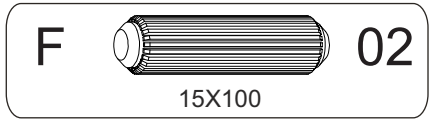


02







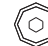
# 14




# 15

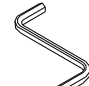
A  02  
1/4 x 80 x 17mm

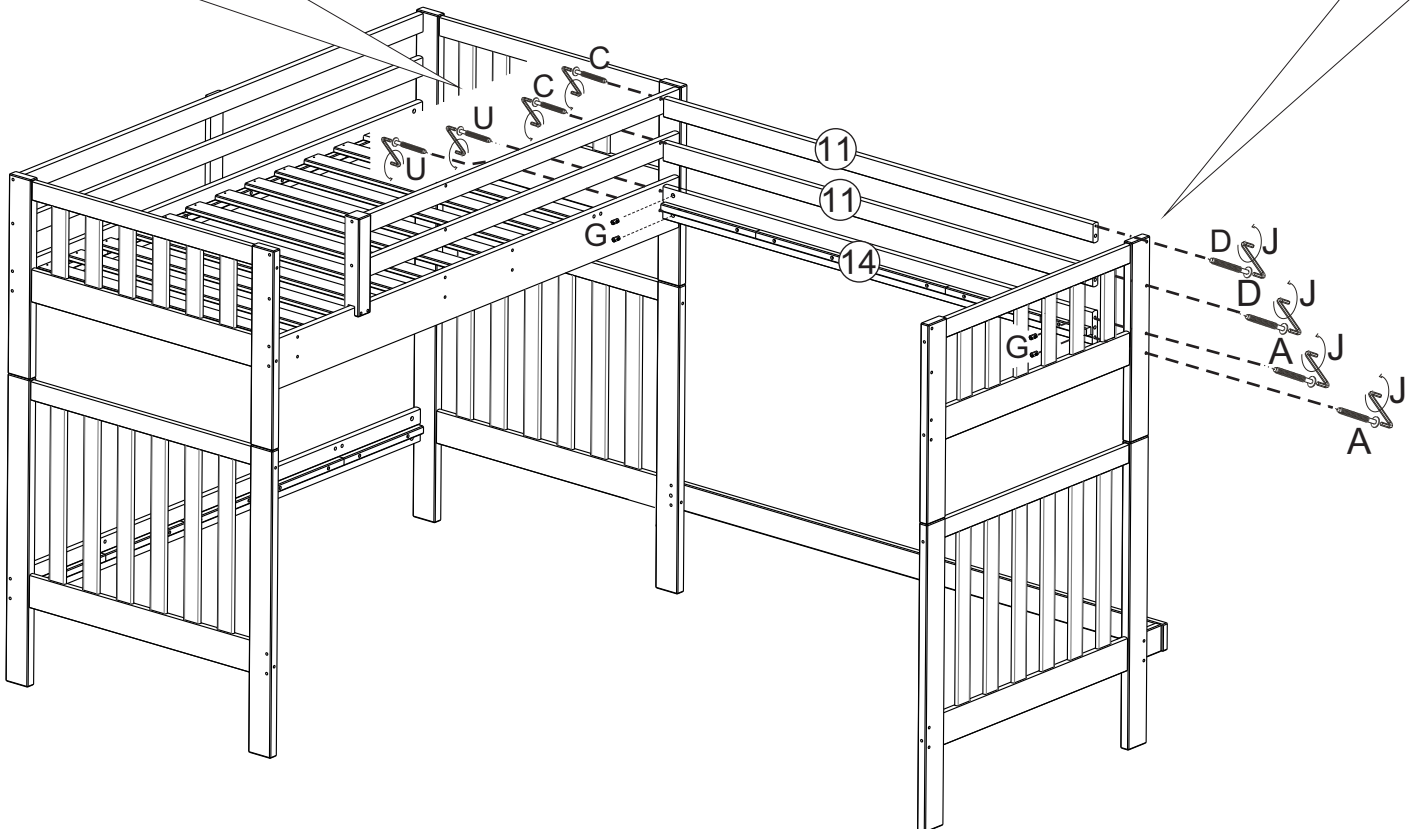
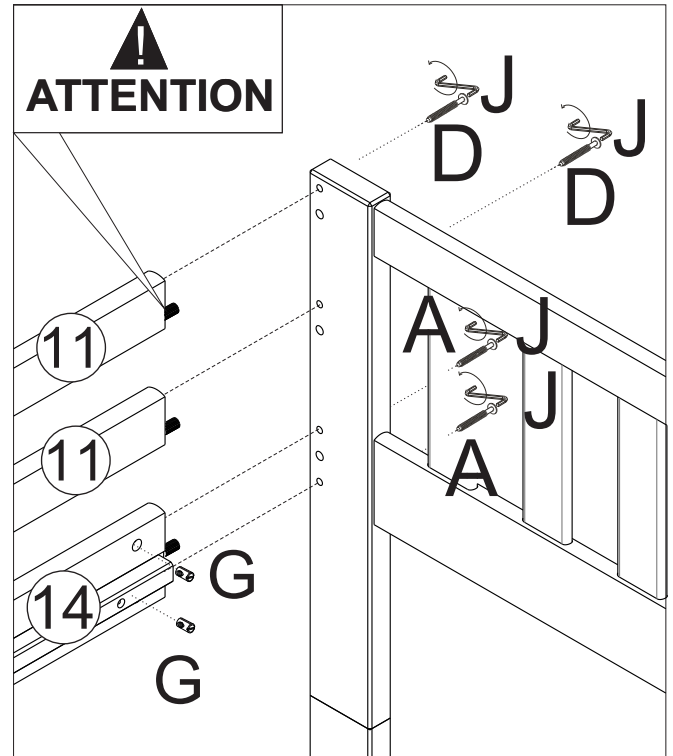
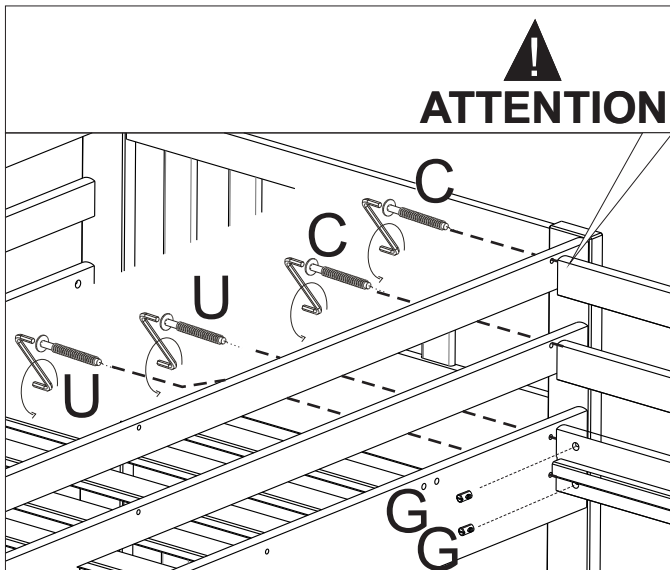
C  02  
7 x 60 x 17mm

D  02  
7 x 70 x 17mm


G  04  
1/4

U  02  
1/4 x 70 x 17mm


J  01




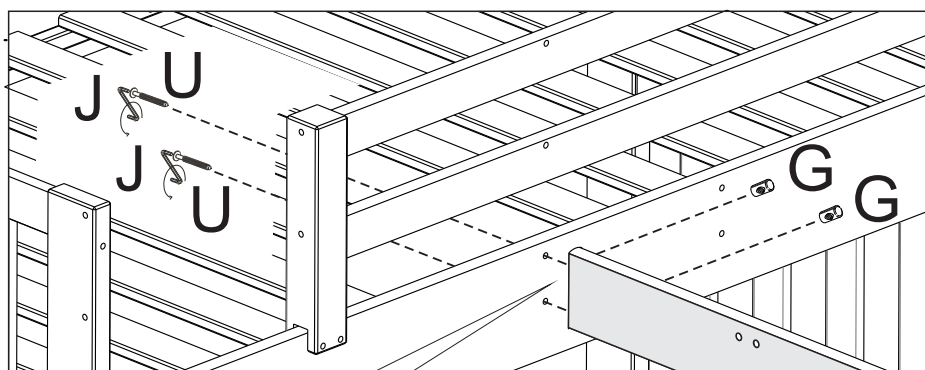
# 16

A  02  
1/4 x 80 x 17mm

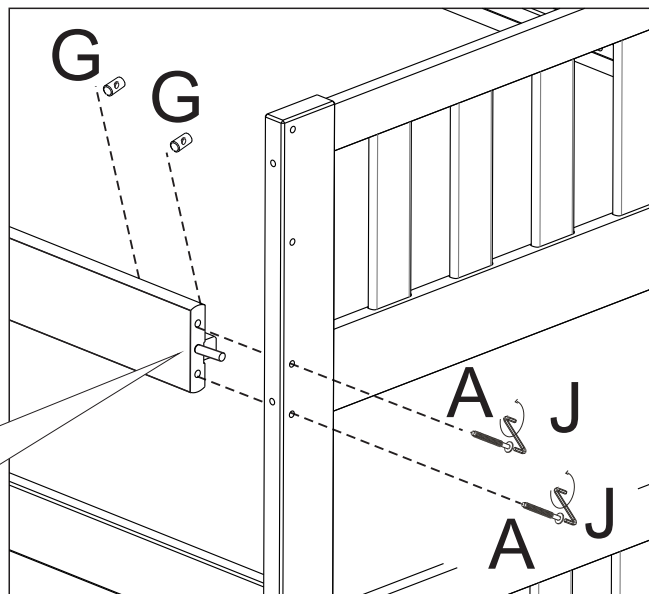
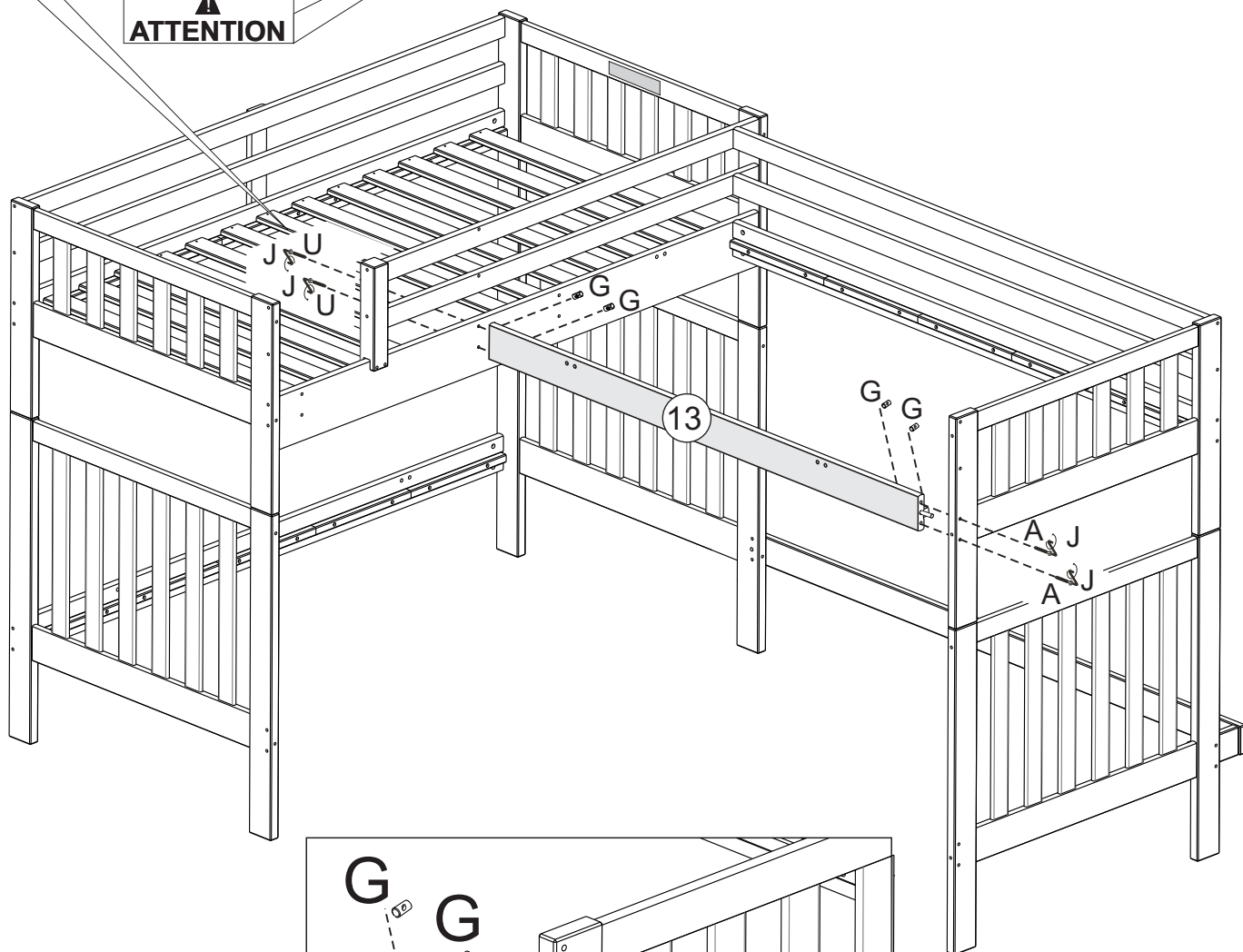
G  04  
1/4

U  02  
1/4 x 70 x 17mm

J  01



**ATTENTION**



**ATTENTION**

# 17

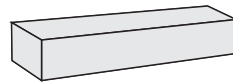
H



4,0 x 35

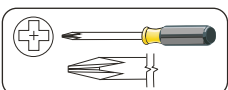
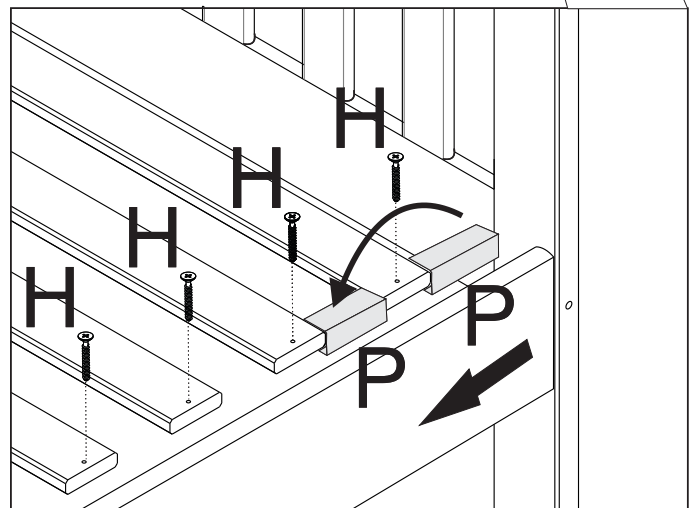
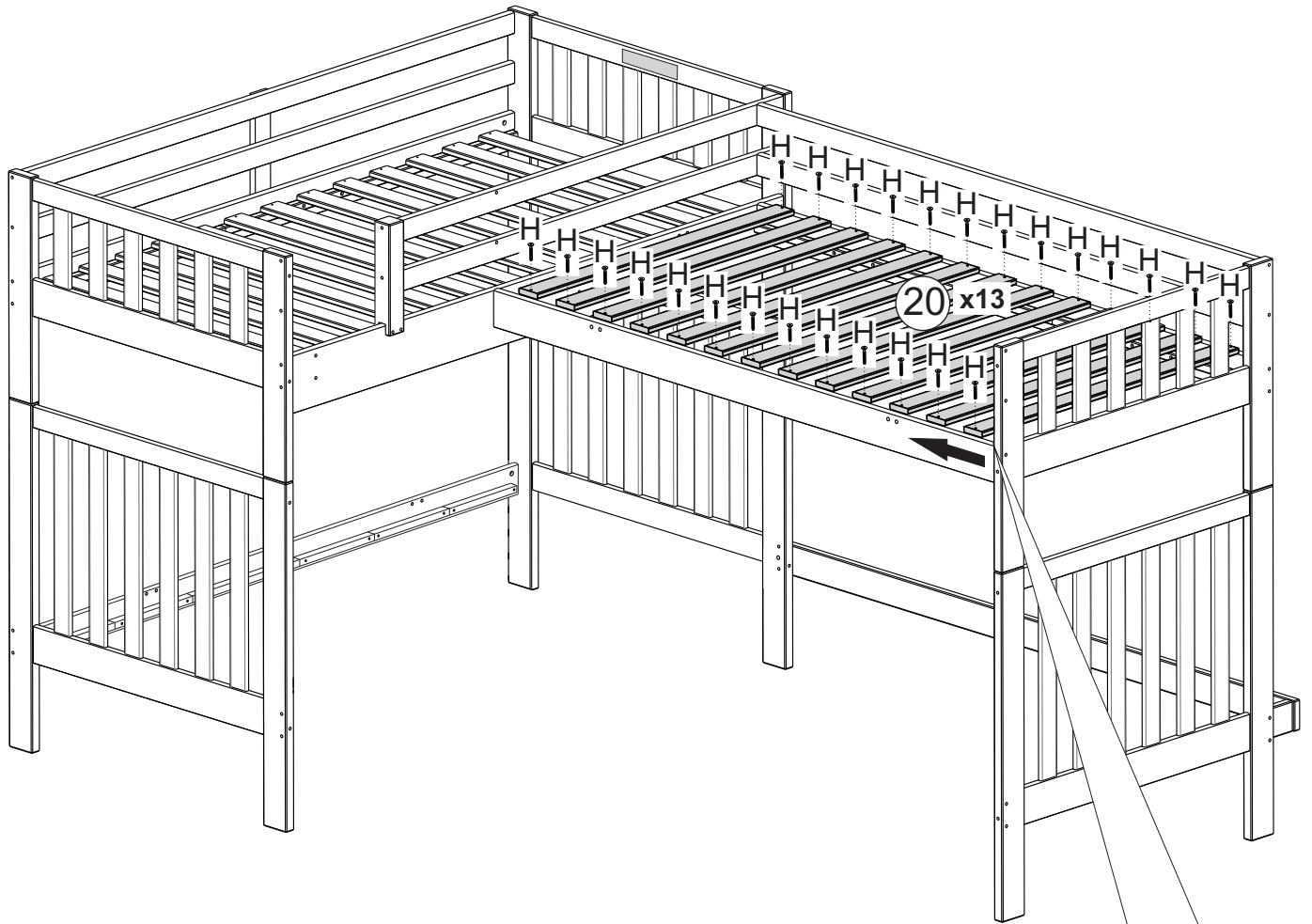
26

P


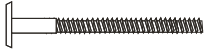


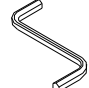
02


SPACER - 71mm

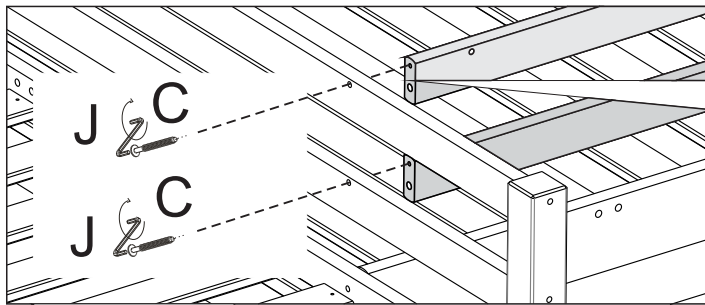


# 18

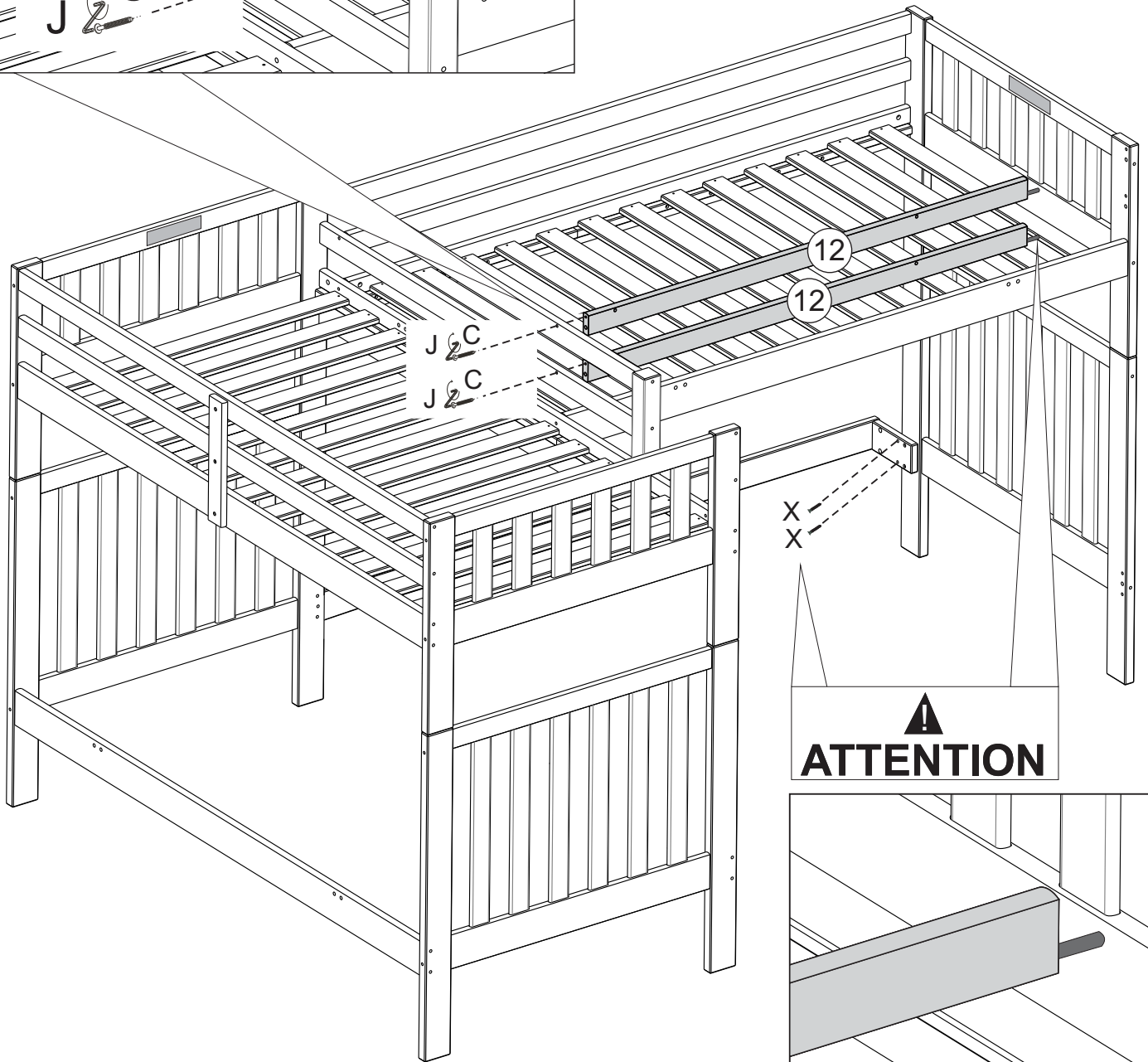
C   02  
7 x 60 x 17mm

J  01

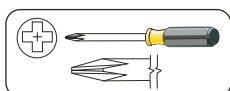
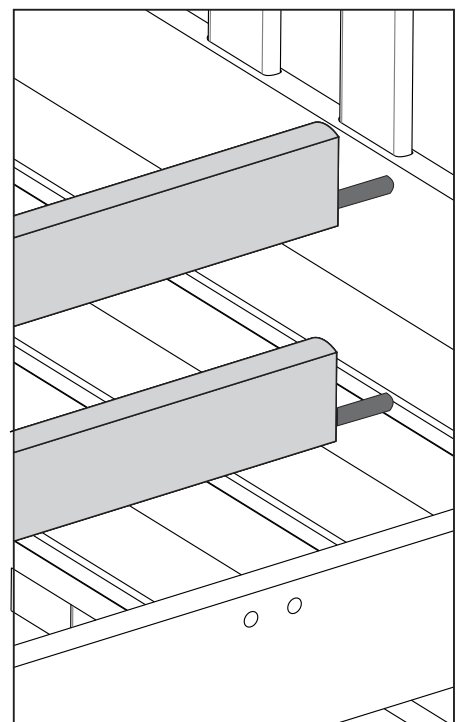
X  02  
4,0 x 40



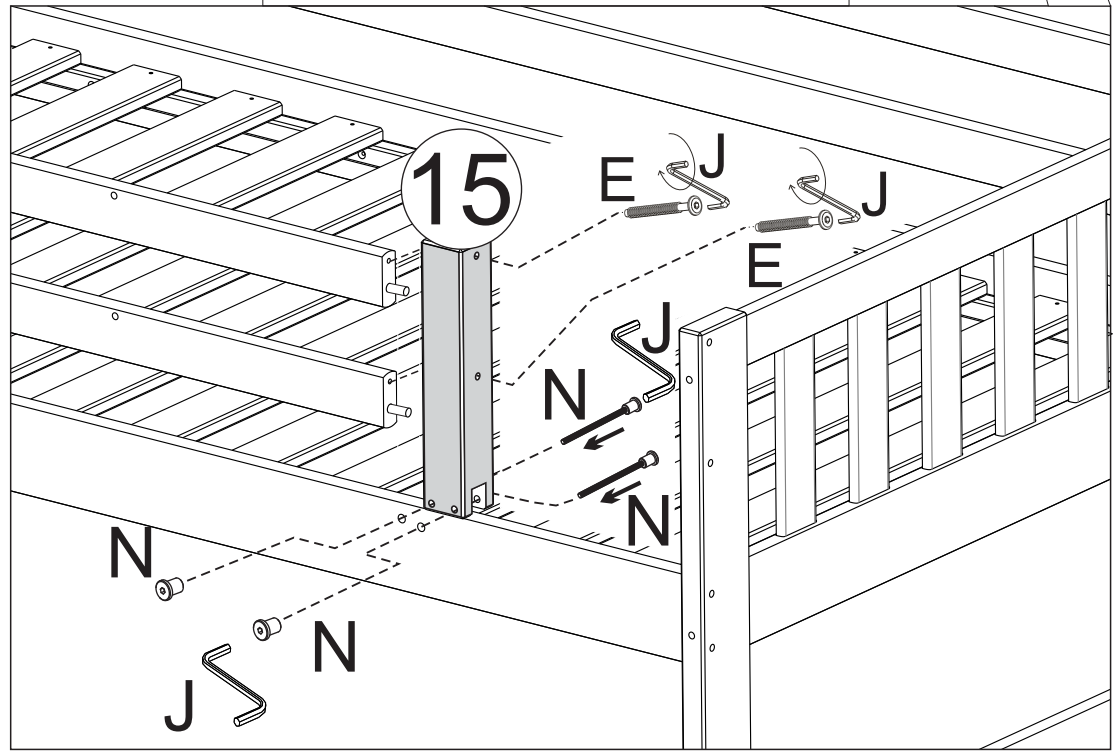
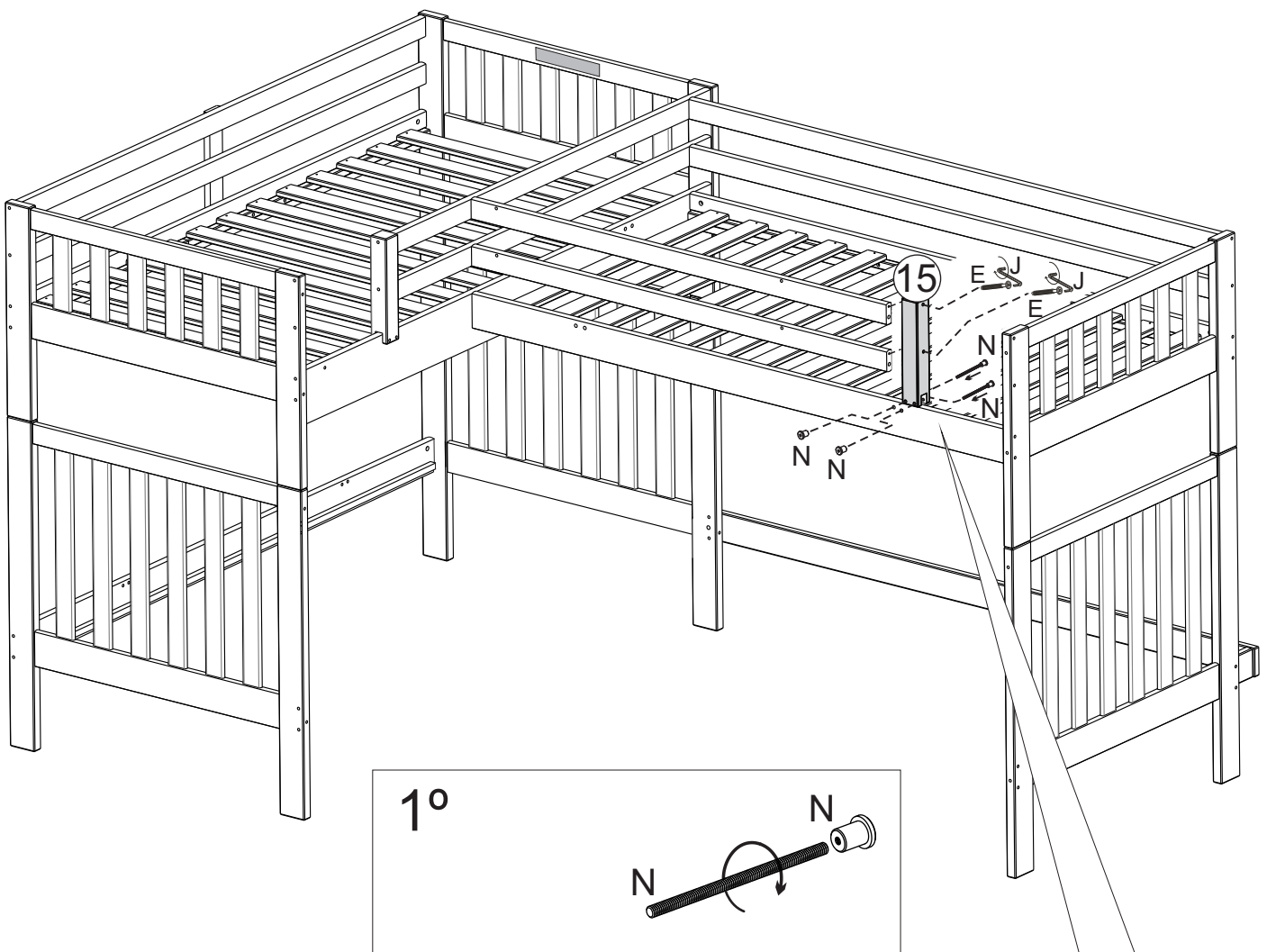
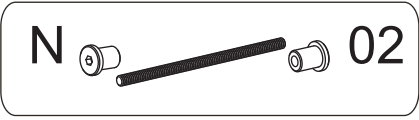
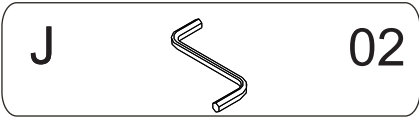
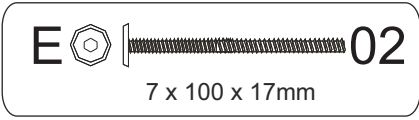
 **ATTENTION**



 **ATTENTION**



# 19



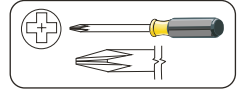
# 20

L

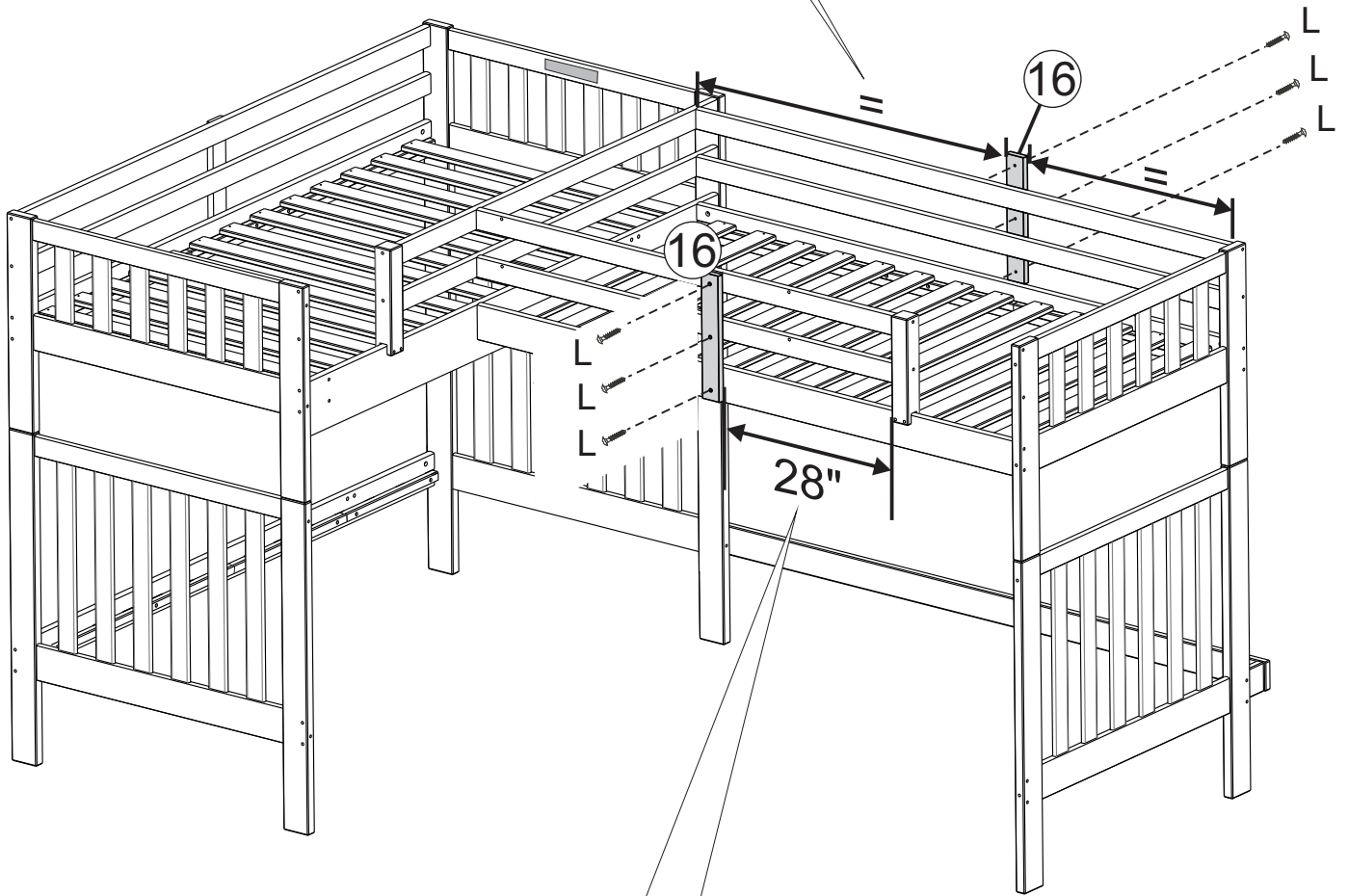


06

4,0 x 30

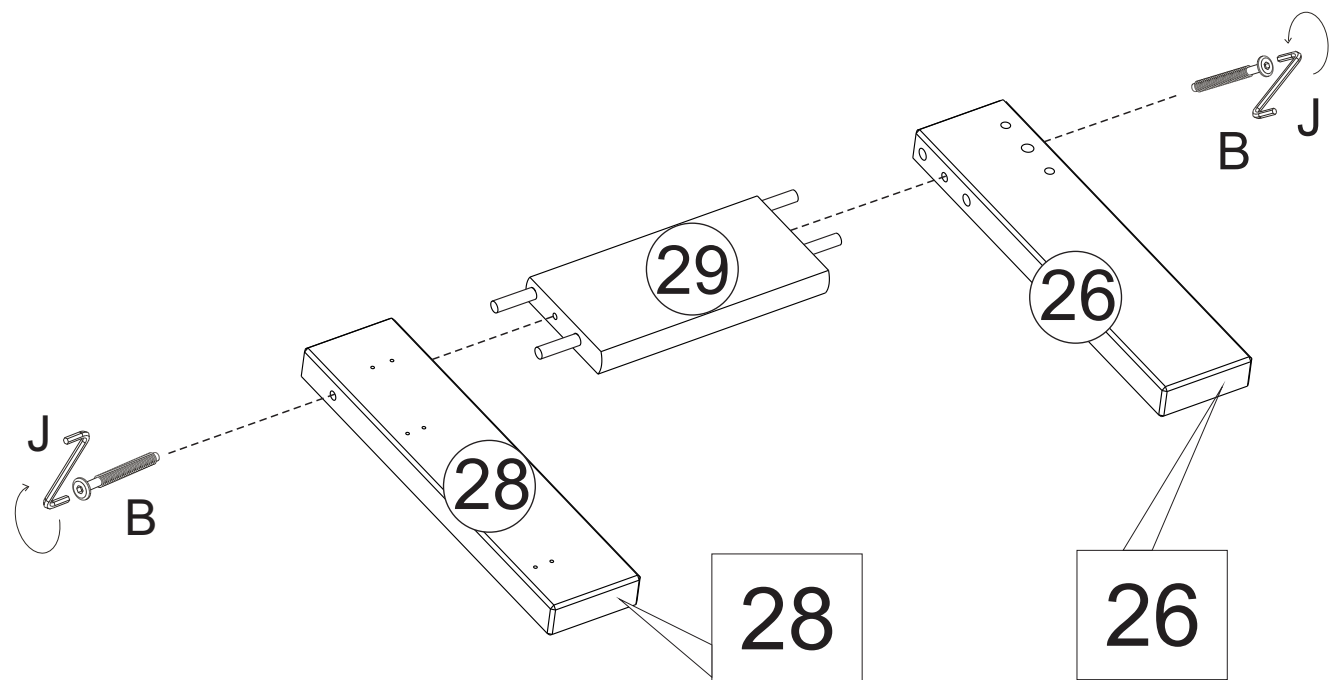
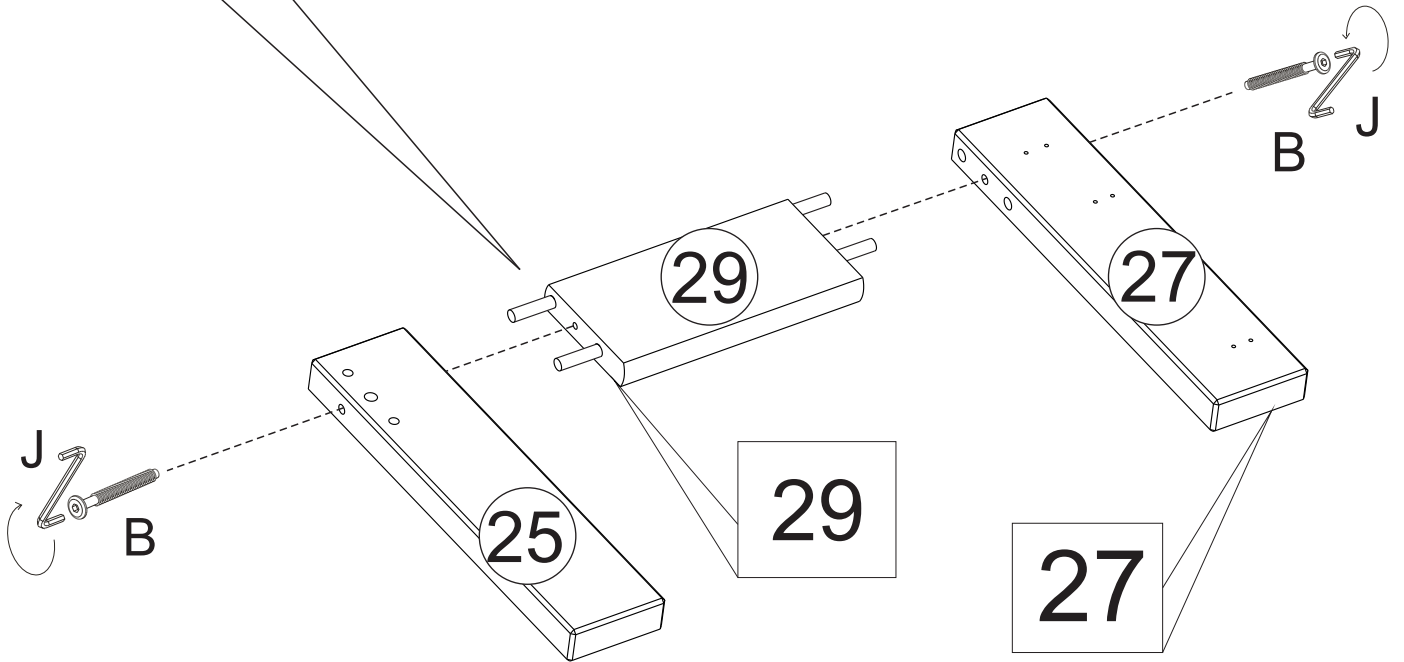
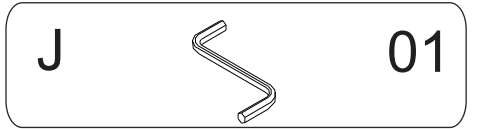
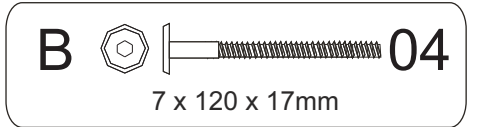
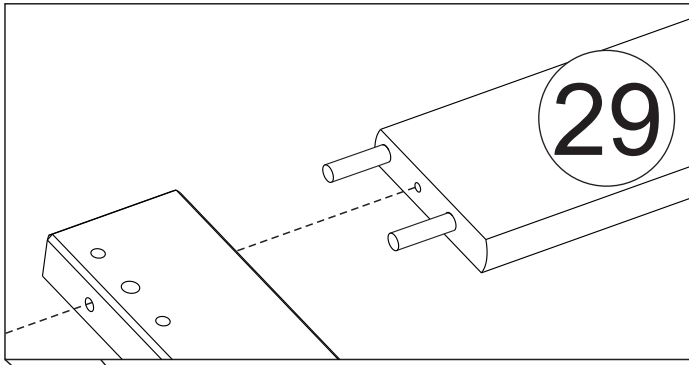


**!**  
**ATTENTION**



**!**  
**ATTENTION**

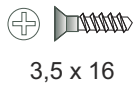
# 21





# 22

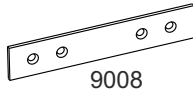
I



3,5 x 16

12

R



9008

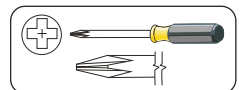
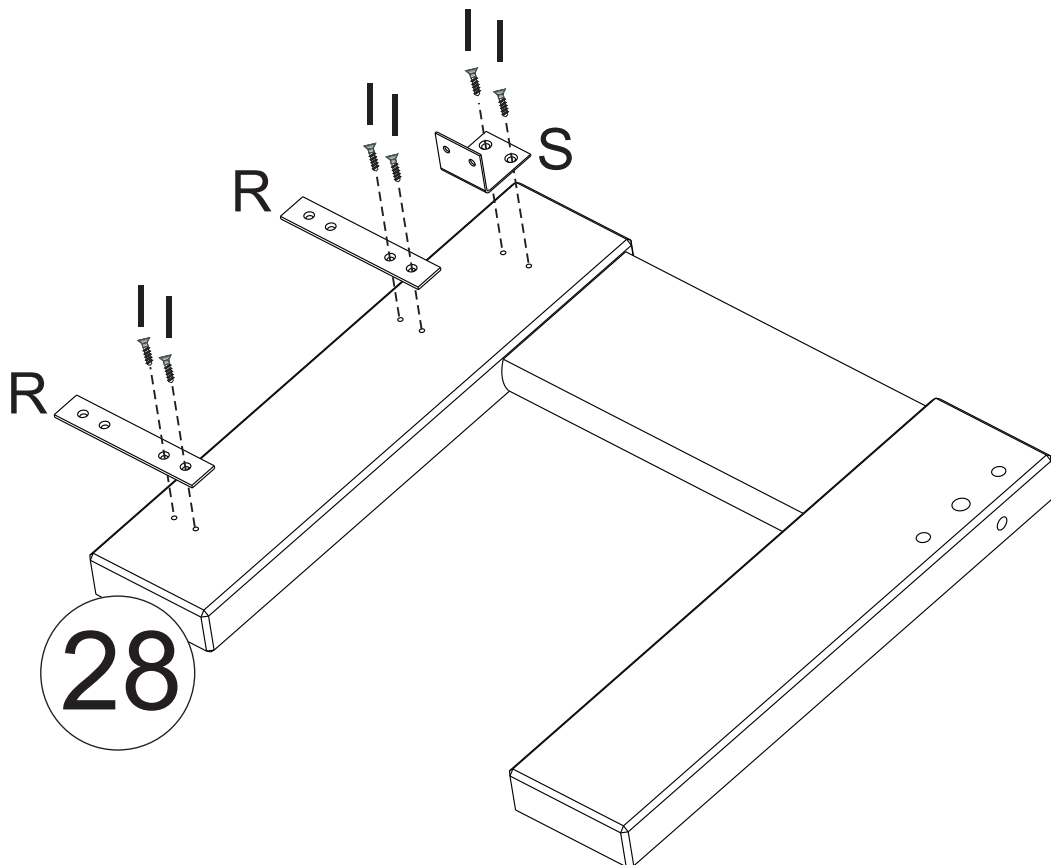
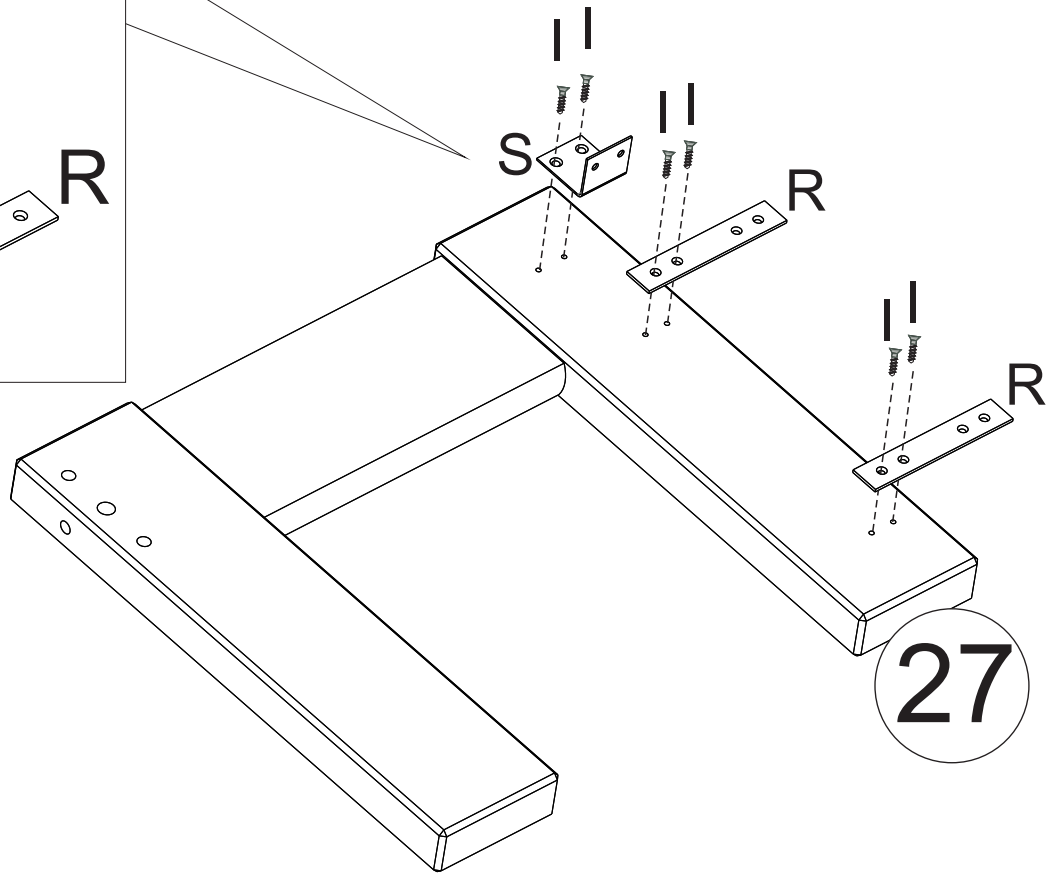
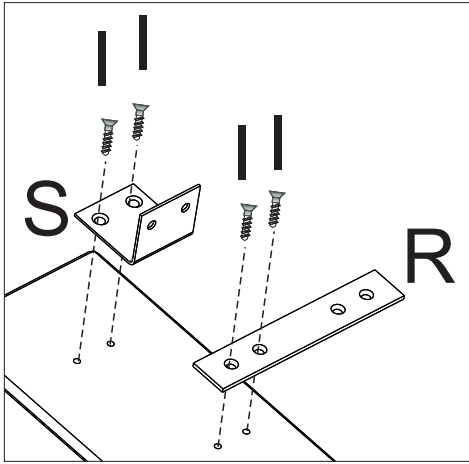
04

S

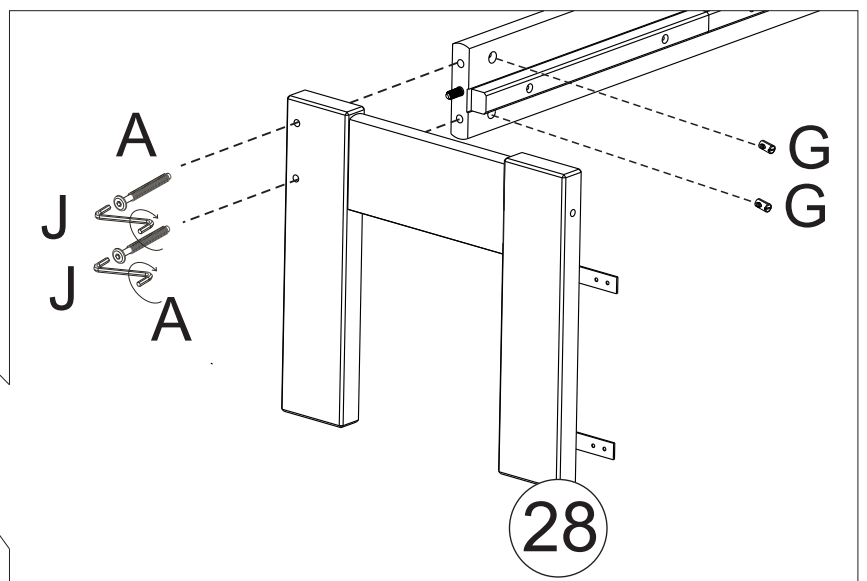
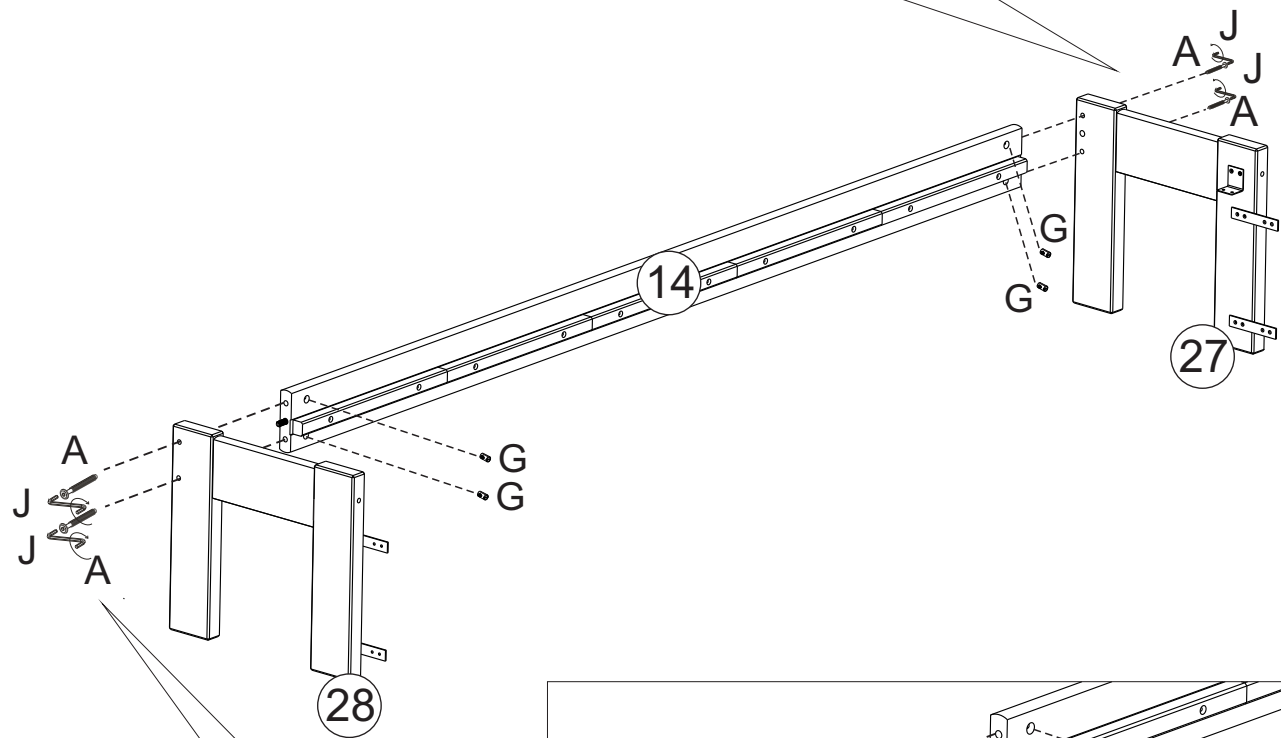
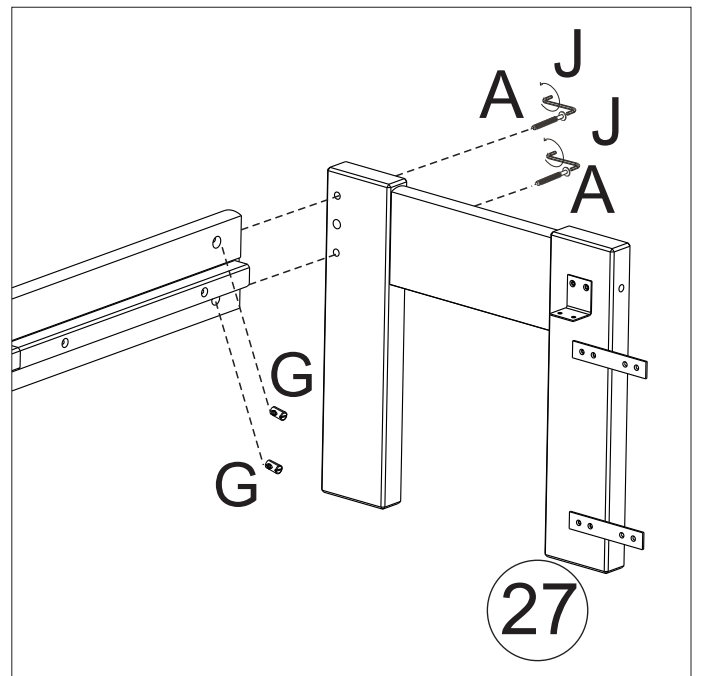
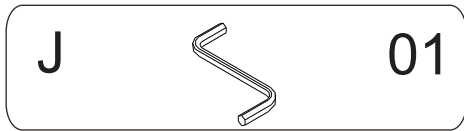
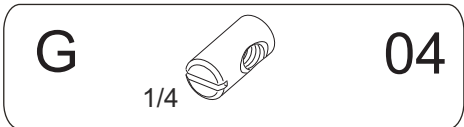
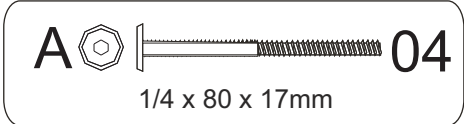


4002

02



# 23



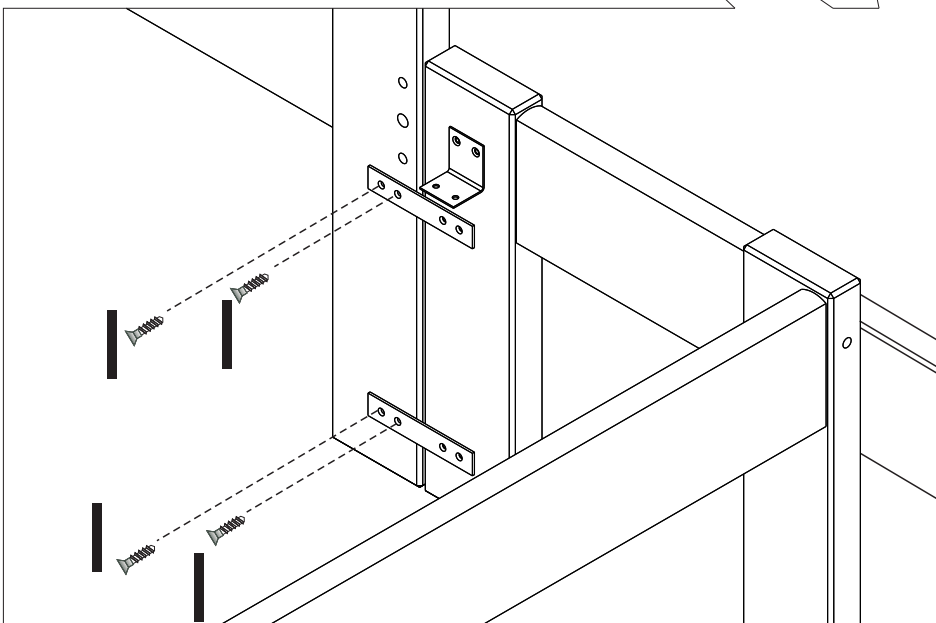
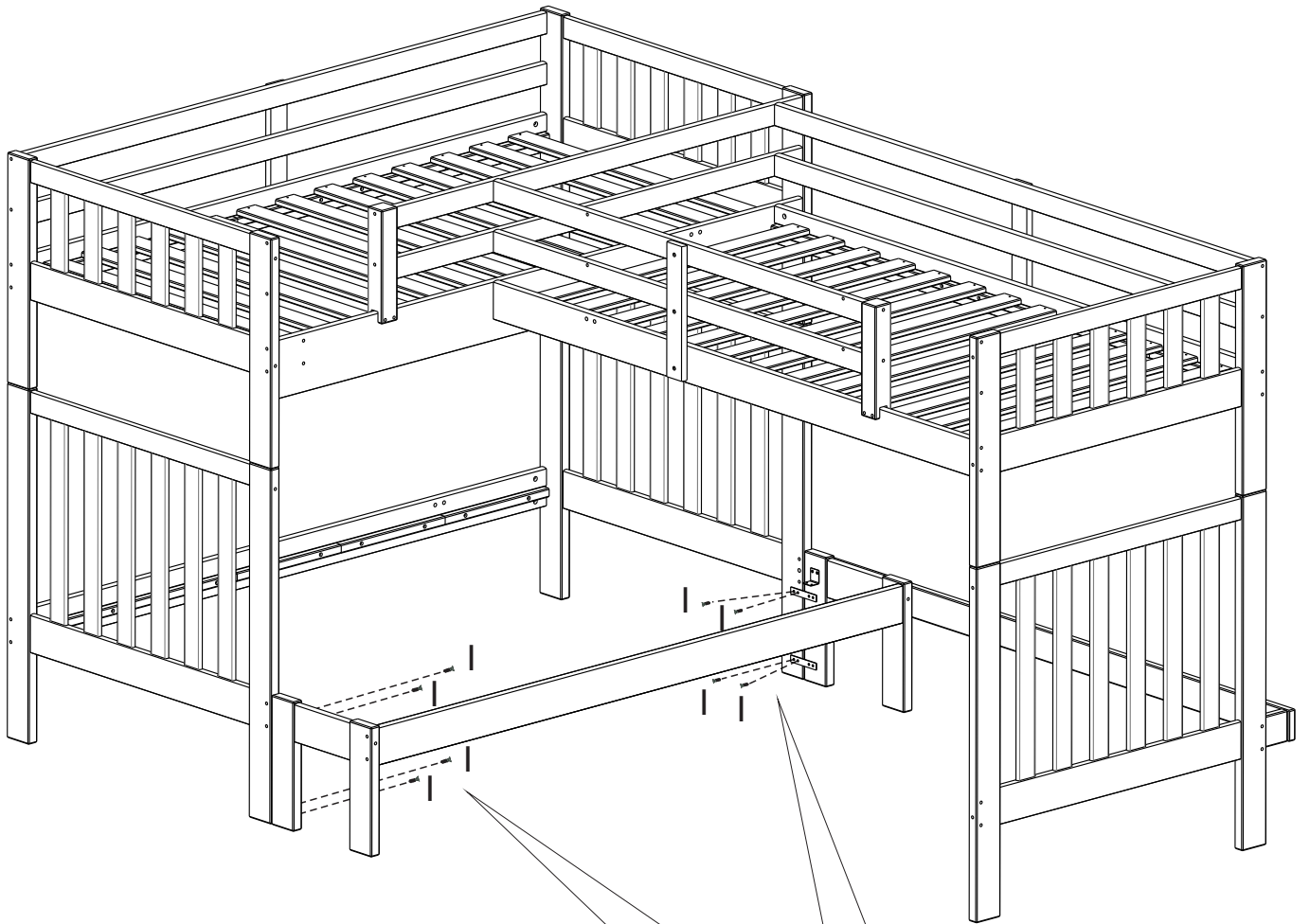
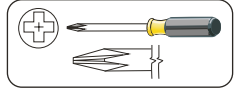
# 24

I



3,5 x 16

# 08



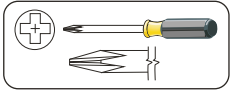
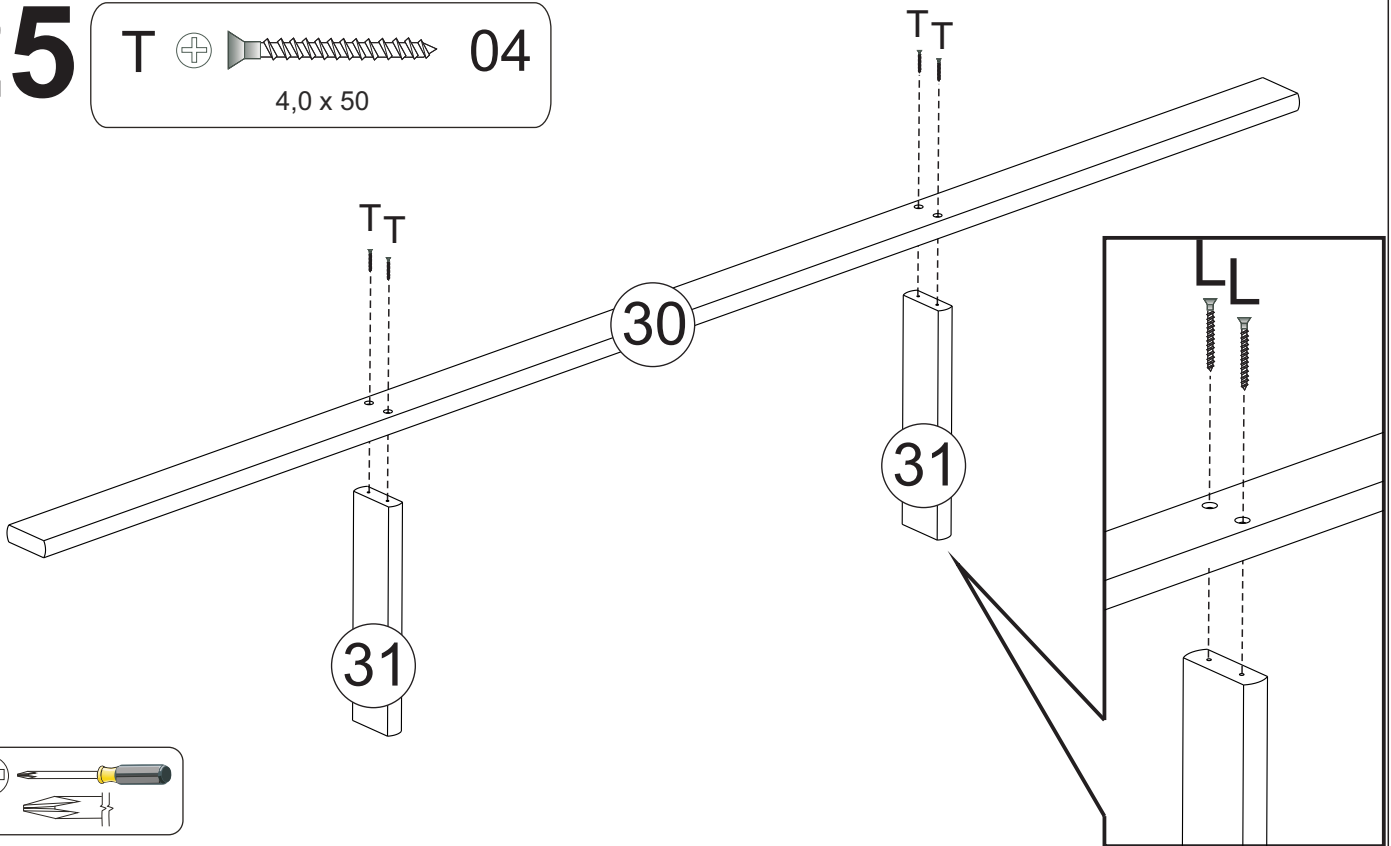
# 25

T



04

4,0 x 50



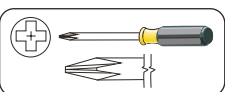
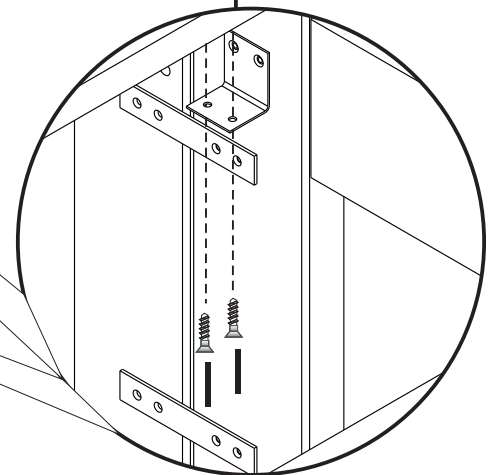
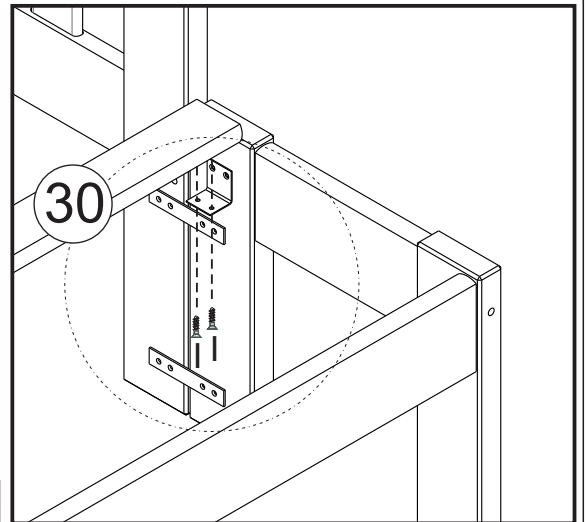
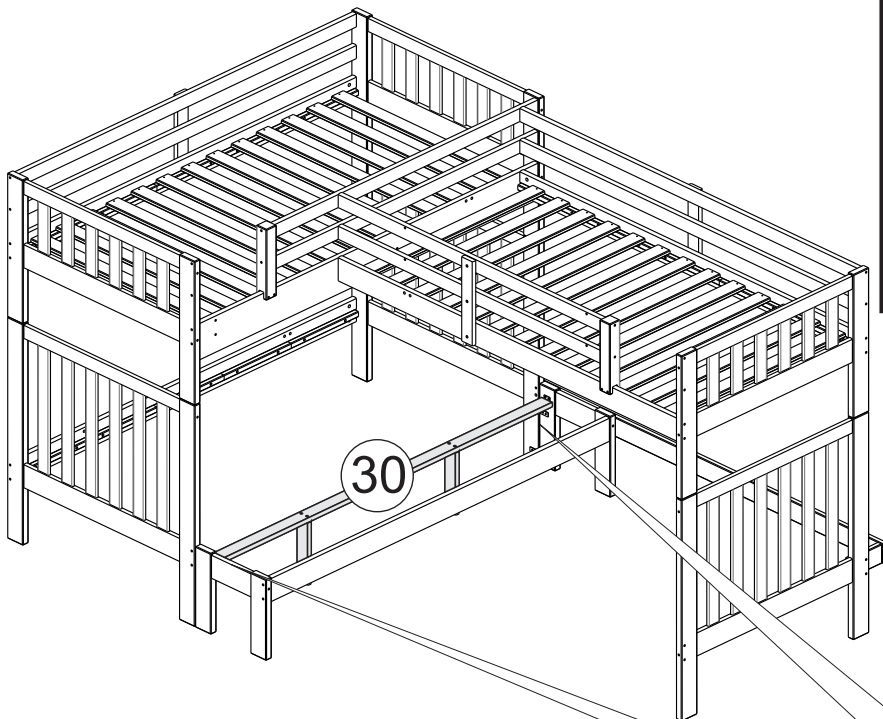
# 26

I



04

3,5 x 16



# 27

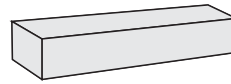
H



4,0 x 35

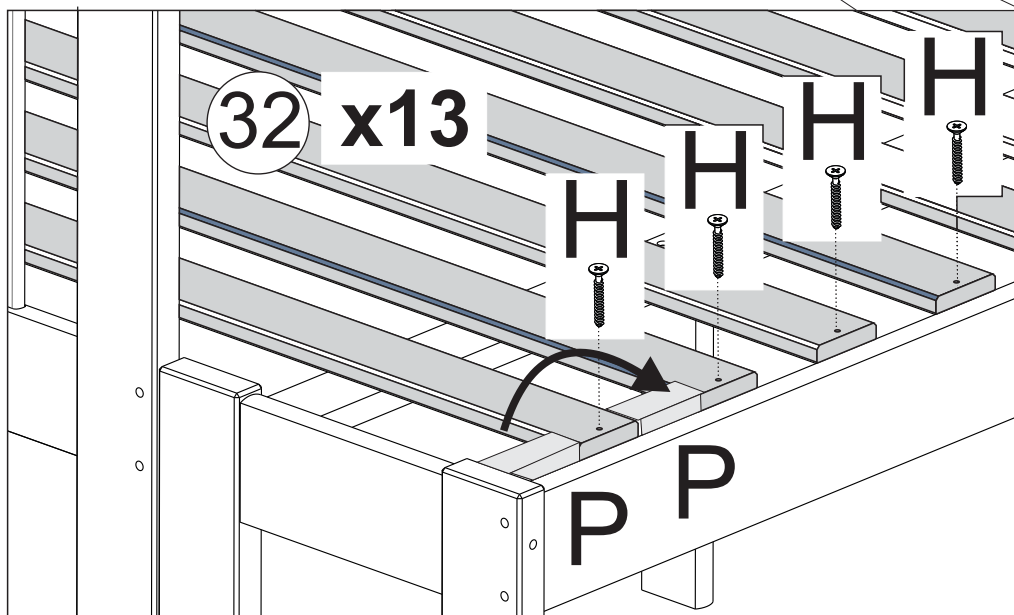
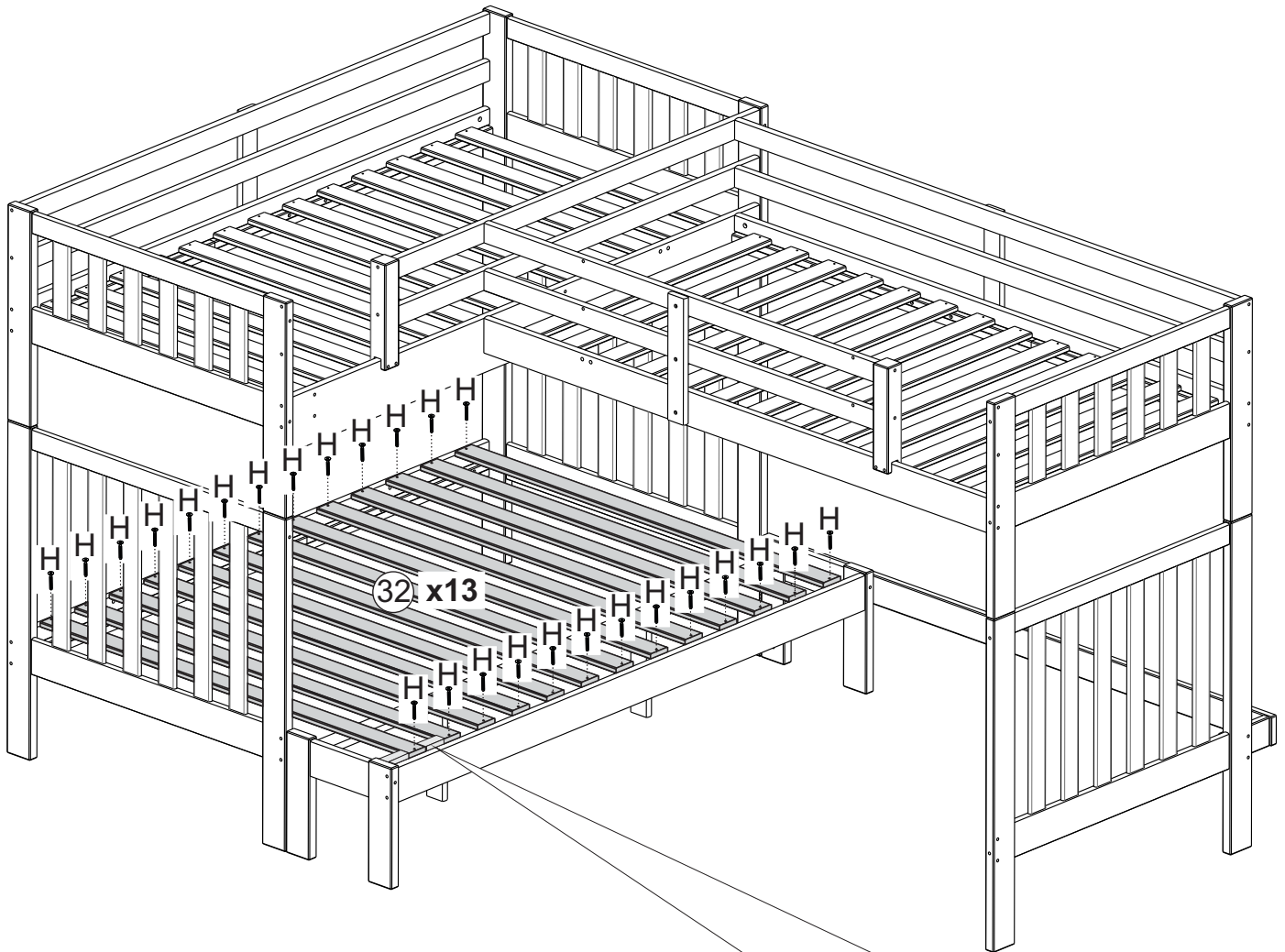
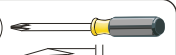
26

P



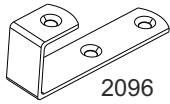
02

SPACER - 71mm



# 28

K



2096

04

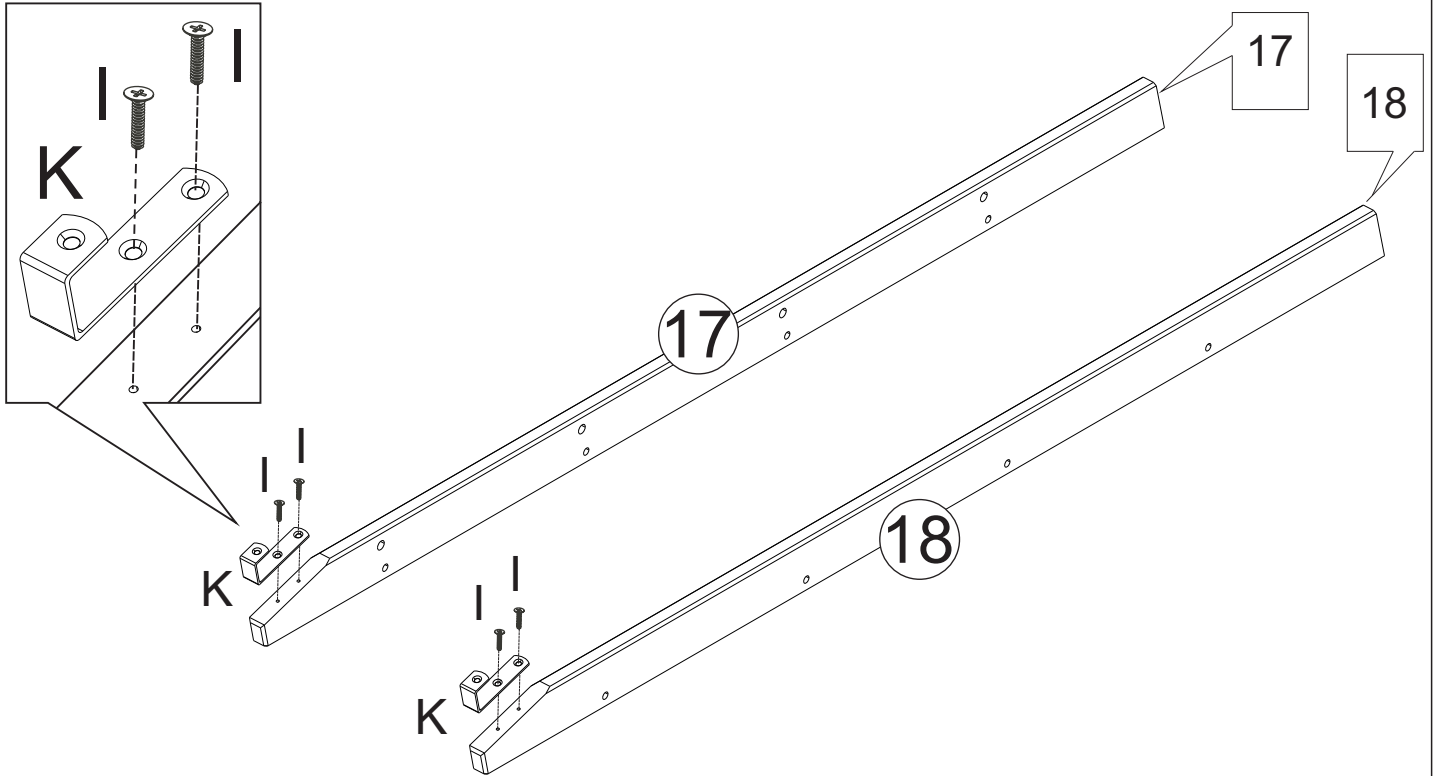
I



3,5 x 16

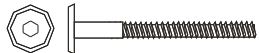
08

# x2



# 29

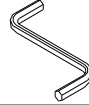
C



7 x 60 x 17mm

16

J



01

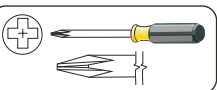
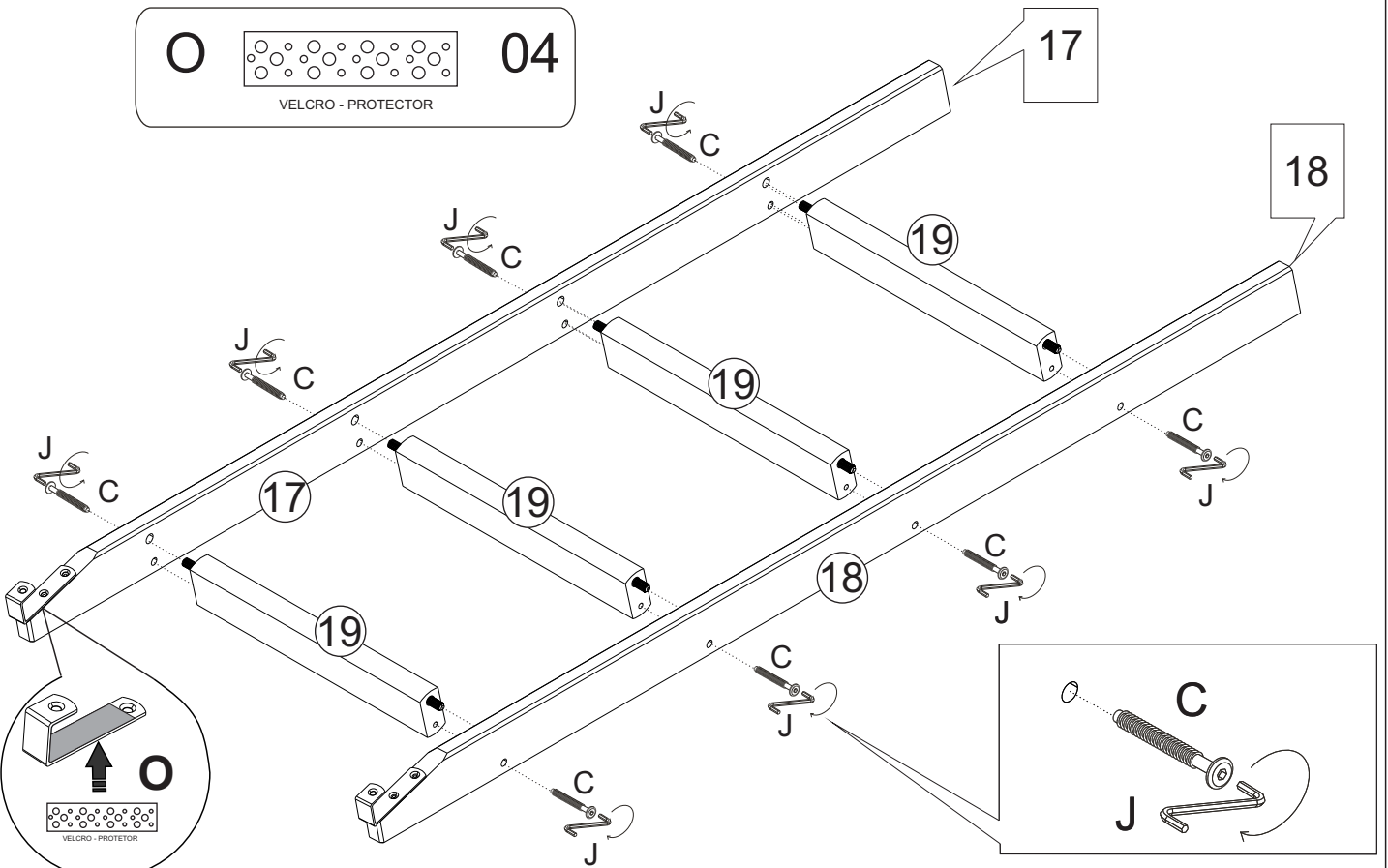
# x2

O



VELCRO - PROTECTOR

04



# 30

I



3,5 x 16

# 04

