

GARDEN ARBOR - FAUX GLASS

Installation and Operating Instructions – YM11629



Revised 01/28/2013


YARDISTRY

Yardistry – North America
Toll Free Customer Support: 1.888.509.4382
info@yardistrystructures.com
www.yardistrystructures.com

Yardistry / Selwood Products – Europe
Customer Support: +44 1284 852569
parts@selwoodproducts.com
www.selwoodproducts.com

Important Safety Notice!

Yardistry components are intended for privacy, decorative and ornamental use only.

Product is NOT INTENDED for the following:

- A safety barrier to prevent unsupervised access to pools, hot tubs, spas or ponds.
- As load bearing support for a building, structure, heavy objects or swings.
- Used in structures that trap wind, rain or snow that would create extra load on the product.

Permanent structures may require a building permit. As the purchaser and or installer of this product you are advised to consult local planning, zoning and building inspection departments for guidance on applicable building codes and/or zoning requirements.

Wood is NOT flame retardant and will burn. Grills, fire pits and chimineas are a fire hazard if placed too close to a Yardistry structure. Consult user's manual of the grill, fire pit or chiminea for safe distances from combustible materials.

Wear gloves to avoid injury from possible sharp edges of individual elements before assembly.

During installation, follow all safety warnings provided with your tools and use OSHA approved safety glasses. Some structures may require two or more people to install safely.

Check for underground utilities before digging or driving stakes into the ground!

General Information

General Information: Wood components are manufactured with Cedar (C. Lanceolata) which is protected with factory applied water-based stain. Knots, small checks (cracks) and weathering are naturally occurring and do not affect the strength of the product. Annual application of a water-based water repellent sealant or stain will help reduce weathering and checks.

www.yardistrystructures.com

Questions?

Call toll free or write us at:

1 (888) 509-4382

info@yardistrystructures.com

Patents Pending

Limited Warranty

Yardistry warrants that this product is free from defect in materials and workmanship for a period of one year from the original date of purchase. In addition, all lumber is warranted for 5 years against rot and decay. This warranty applies to the original owner and registrant and is non-transferable.

Regular maintenance is required to assure the integrity of your product and is a requirement of the warranty. This warranty does not cover any inspection cost.

This Limited Warranty does not cover:

- Labor for replacement of any defective item(s);
- Incidental or consequential damages;
- Cosmetic defects which do not affect performance or integrity;
- Vandalism; improper use or installation; acts of nature;
- Acts of nature including but not limited to wind, storms, hail, floods, excessive water exposure;
- Minor twisting, warping, checking, or any other natural occurring properties of wood that do not affect performance or integrity.

Yardistry products have been designed for safety and quality. Any modifications made to the original product could damage the structural integrity of the product leading to failure and possible injury. Yardistry cannot assume any responsibility for modified products. Furthermore, modification voids any and all warranties.

This product is warranted for RESIDENTIAL USE ONLY. Yardistry disclaims all other representations and warranties of any kind, express or implied.

This Warranty gives you specific legal rights. You may have other rights as well which vary from state to state or province to province. This warranty excludes all consequential damages, however, some states do not allow the limitation or exclusion of consequential damages, and therefore this limitation may not apply to you.

Instructions for Proper Maintenance

Your Yardistry structure is designed and constructed of quality materials. As with all outdoor products it will weather and wear. To maximize the enjoyment, safety and life of your structure it is important that you, the owner, properly maintain it.

HARDWARE:

- Check metal parts for rust. If found, sand and repaint using a non-lead paint complying with 16 CFR 1303.
- Inspect and tighten all hardware after completion of assembly; after first month of use; and then annually. Do not over-tighten as to cause crushing and splintering of wood.
- Check for sharp edges or protruding screw threads, add washers if required.

WOOD PARTS:

- Unprotected they will appear weathered over time. Periodic application of an exterior water repellent or stain (water-based) will help improve appearance and life.
- Check all wood members for deterioration, structural damage and splintering. Sand down splinters and replace deteriorated wood members. As with all wood, some checking and small cracks in grain is normal

If you dispose of your Yardistry structure: Please disassemble and dispose of your unit so that it does not create any unreasonable hazards at the time it is discarded. Be sure to follow your local waste ordinances.

Part Identification (Dimensions are approximate and are shown to assist in the identification of parts for assembly. Actual dimensions may be smaller or larger.)

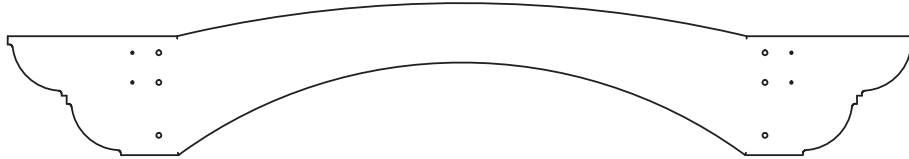
4pc. (208) - Arbor Ends 25.4 x 114.3 x 254mm



2pc. (204) - Arbor Side 25.4 x 114.3 x 582.1mm



2pc. (200) - Arbor Arch Beam 25.4 x 292.1 x 1746.3mm



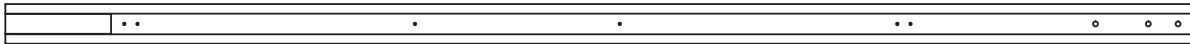
5pc. (203) - Arbor Trellis 25.4 x 76.2 x 1041.4mm



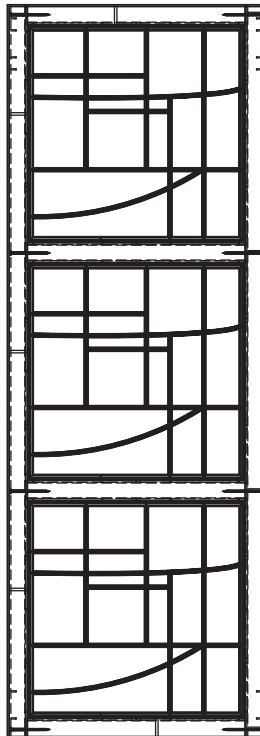
4pc. (209) - Cross Brace 38.1 x 76.2 x 496.3mm



4pc. (206) - Engineered Panel Post 50.8 x 76.2 x 2286mm

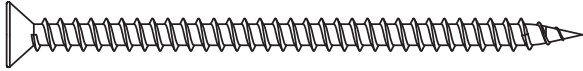


2pc. (316) - 3 High Faux Glass Panel 38.1 x 495.3 x 1409.7mm

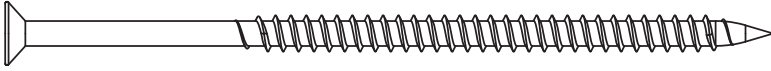


Hardware Identification (Dimensions are approximate and are shown to assist in the identification of parts for assembly. Actual dimensions may be smaller or larger.)

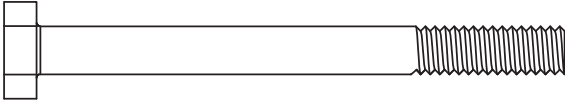
32pc. - Wood Screw #8 x 3" - (Y06416-530)



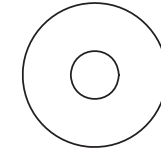
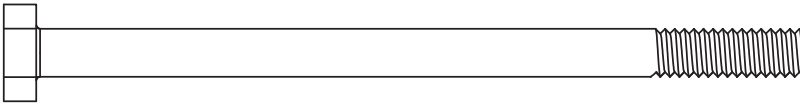
10pc. - Wood Screw #10 x 4" - (Y06416-940)



12pc. - Hex Bolt 1/4 x 2-3/4" - (Y07416-223)



4pc. - Hex Bolt 1/4 x 4" - (Y07416-249)

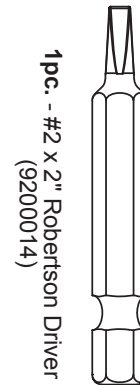


16pc. - 1/4" Flat Washer
(Y05416-201)



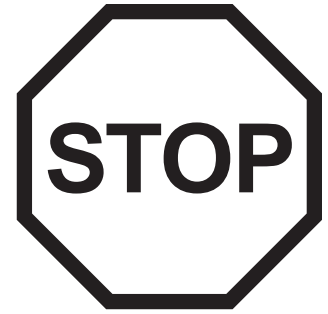
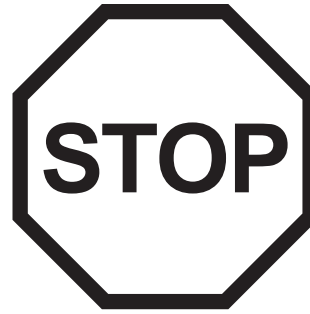
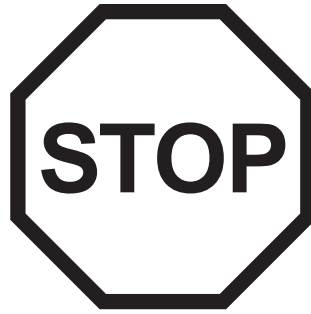
16pc. - 1/4" Lock Washer
(Y05416-204)

16pc. - Tee Nut 1/4" - (Y08416-206)



1pc. - #2 x 2" Robertson Driver
(9200014)

Inventory Parts - Read This Before Starting Assembly



- A.** This is the time for you to inventory all your hardware, wood and accessories, referencing the parts identification sheets. This will assist you with your assembly.
- Each step indicates which bolts and/or screws you will need for assembly, as well as any flat washers, lock washers, t-nuts or lock nuts.
- B.** If there are any missing or damaged pieces or you need assistance with assembly please contact the consumer relations department directly. Call us before going back to the store.

1-888-509-4382
support@yardistrystructures.com

- C.** Read the assembly manual completely, paying special attention to ANSI warnings; notes; and safety/maintenance information on pages 1 - 4.
- Follow the instructions in order.
 - This structure is designed to be assembled and installed ideally by two people, DO NOT attempt to install alone.
 - Consider the slope of elevation where you plan to install the structure. Also, check for gas, telephone, other utilities or sprinkler line locations prior to excavating any holes.
- D.** Before you discard your cartons fill out the form below.
- The carton I.D. stamp is located on the end of each carton.
 - Please retain this information for future reference. You will need this information if you contact the Consumer Relations Department.

PRODUCT NUMBER: YM11629

CARTON I.D. STAMP: _ _ _ _ _ (Box 1)

CARTON I.D. STAMP: _ _ _ _ _ (Box 2)

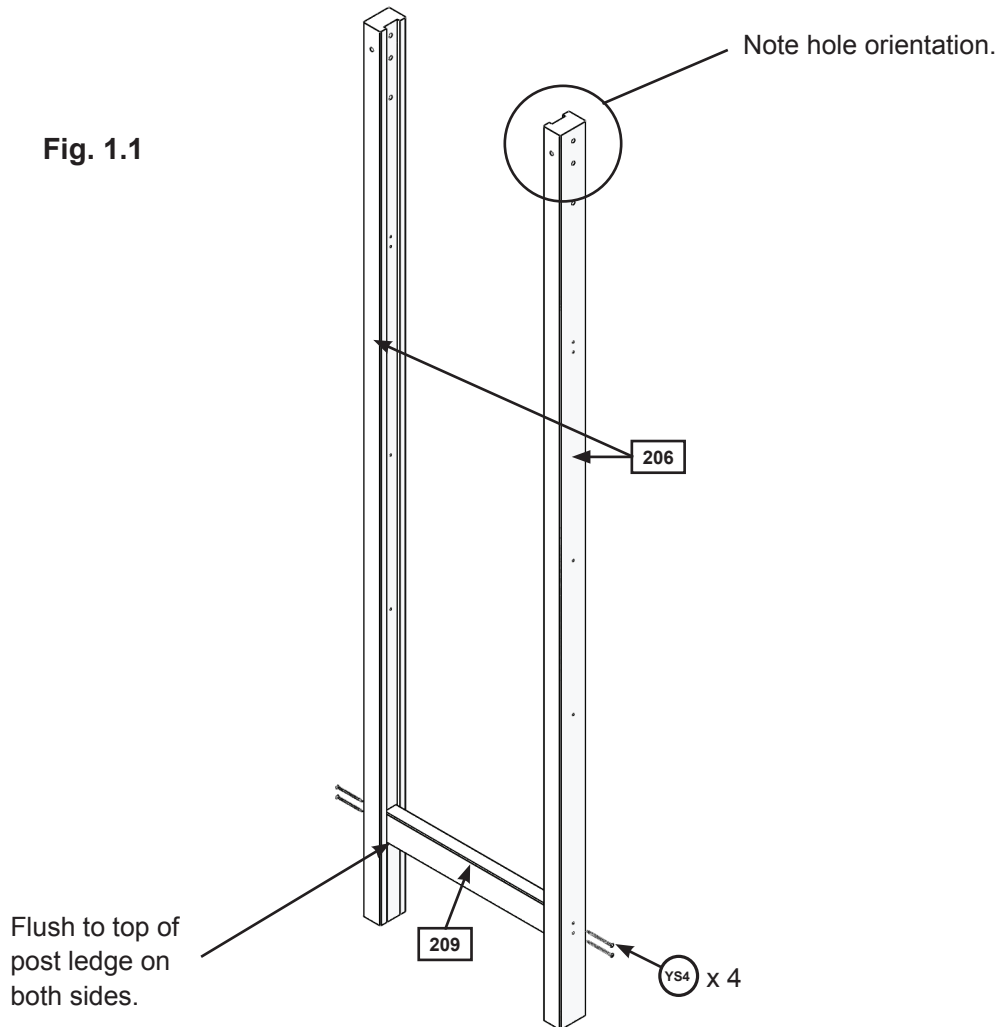
CARTON I.D. STAMP: _ _ _ _ _ (Box 3)

Step 1: Assemble Panels

A: Lay both (206) Engineered Panel Posts on edge so the grooved sides face each other, on a level surface.

B: Place one (209) Cross Brace in between the posts tight to the top of the ledge of the (206) Engineered Panel Posts and attach with two (YS4) #8 x 3" Wood Screws per side as shown in fig. 1.1.

Repeat for a second assembly.



Wood Parts

4 x **206** Engineered Panel Post 50.8 x 76.2 x 2286 mm
2 x **209** Cross Brace 38.1 x 76.2 x 496.3 mm

Hardware

8 x **YS4** #8 x 3" Wood Screw

Step 2: Assemble Panels

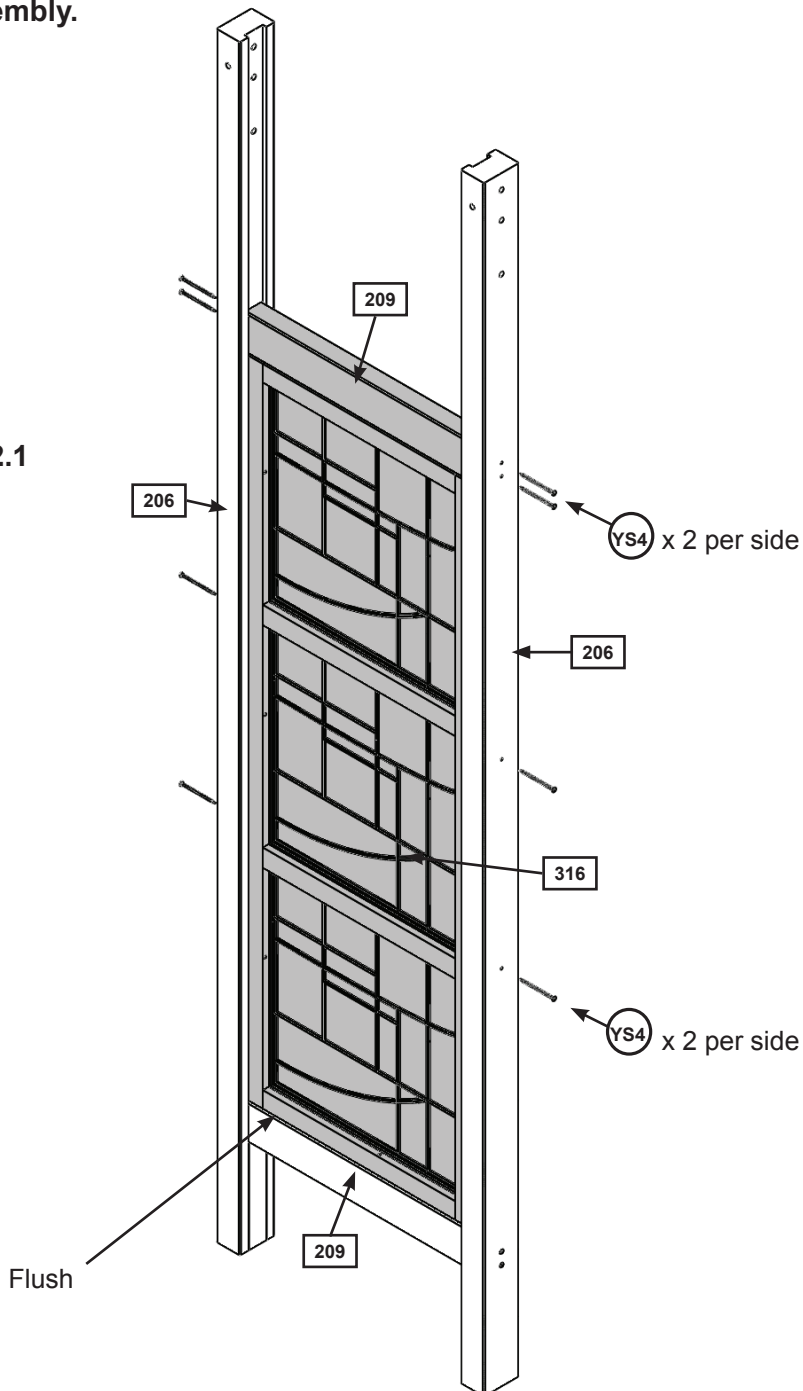
A: Insert into the grooves of both (206) Engineered Panel Posts, one (316) Window Triple Panel flush to top of previously installed (209) Cross Brace and attach with two (YS4) #8 x 3" Wood Screws per side as shown in fig. 2.1.

B: Place one (209) Cross Brace in between the posts, tight to the top of the (316) Window Triple Panel and attach with two (YS4) #8 x 3" Wood Screws per side as shown in fig. 2.1.

Repeat for second assembly.

Fig. 2.1

Note glass orientation



Wood Parts

- 2 x **209** Cross Brace 38.1 x 76.2 x 496.3 mm
- 2 x **316** Window Triple Panel 38.1 x 495.3 x 1409.7 mm

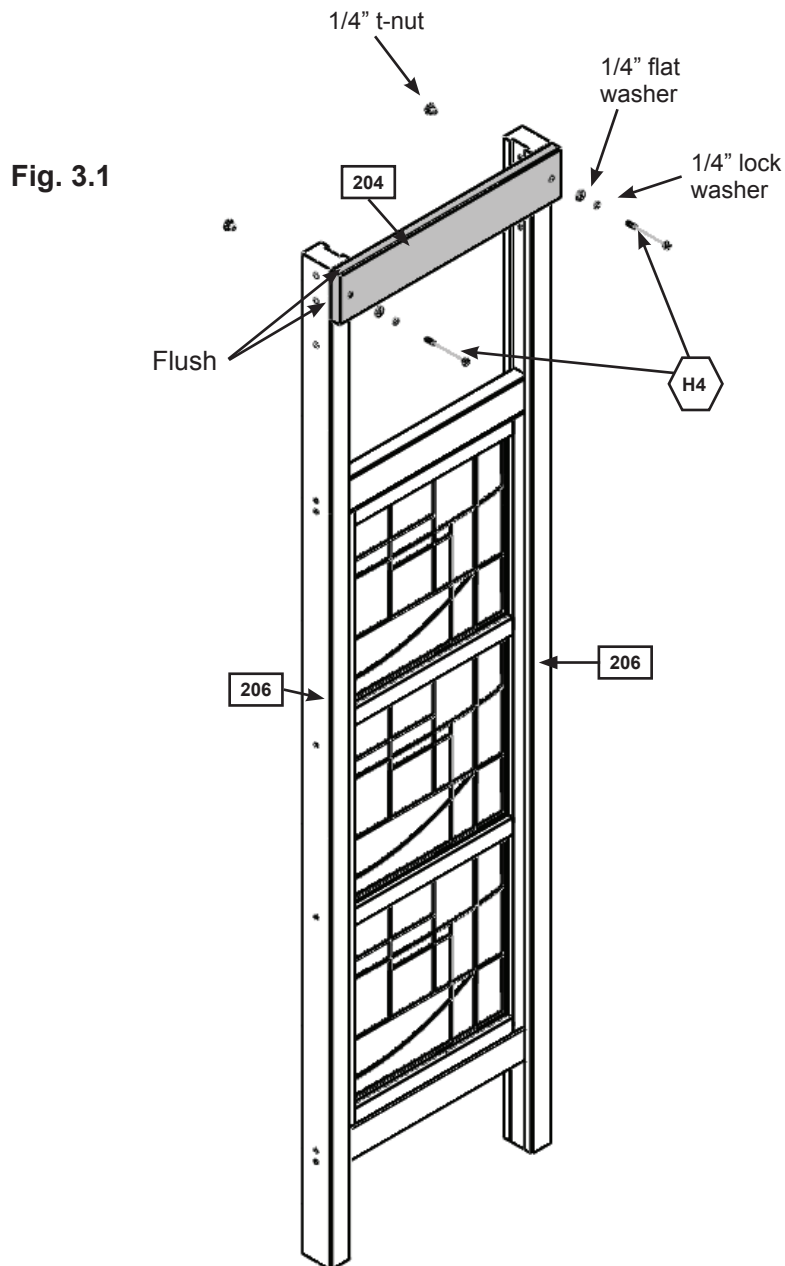
Hardware

- 16 x **YS4** #8 x 3" Wood Screw

Step 3: Attach Arbor Side

A: Place one (204) Arbor Side flush to the top and outside edge of (206) Engineered Panel Post, and attach with two (H4) 1/4 x 4" Hex Bolts (with flat washer, lock washer and t-nut) per side as shown in fig. 3.1.

Repeat for second assembly.



Wood Parts

2 x **204** Arbor Side 25.4 x 114.3 x 582.1 mm

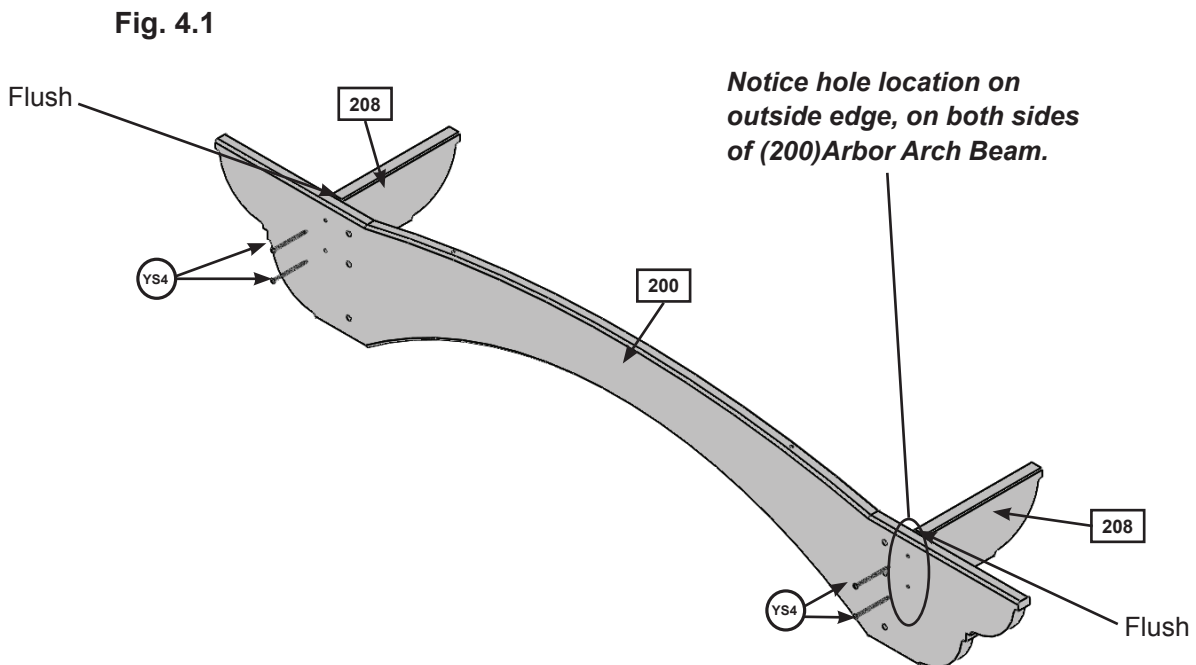
Hardware

4 x **H4** 1/4 x 4" Hex Bolt
(1/4" lock washer, 1/4" flat washer, 1/4" t-nut)

Step 4: Assemble Arch Beam Assemblies

A: Attach two (208) Arbor Ends flush to the top of (200) Arbor Arch Beam and centred over holes, using two (YS4) #8 x 3" Wood Screws per side. Ensure that you are using the outside holes as shown in fig. 4.1.

Repeat for second assembly.



Wood Parts

2 x **200** Arbor Arch Beam 25.4 mm x 292.1 x 1746.3 mm
4 x **208** Arbor End 25.4 x 114.3 x 254 mm

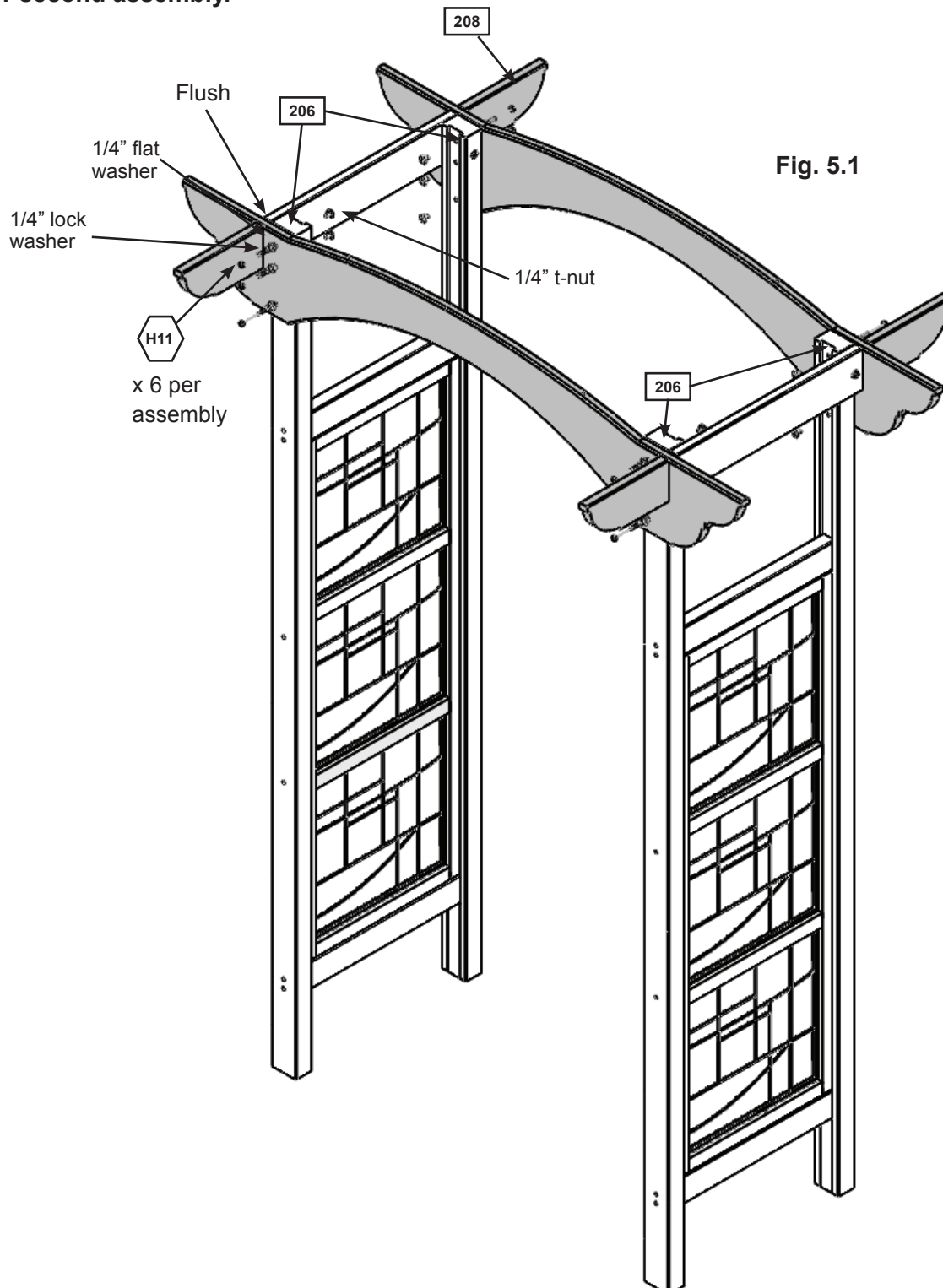
Hardware

8 x **YS4** #8 x 3" Wood Screw

Step 5: Attach Arch Beam Assemblies

A: Attach one Arch Beam Assembly, with (208) Arbor Ends facing out (fig. 5.1), flush to the top of and into (206) Engineered Panel Post assembly using 3 (H11) 1/4 x 2-3/4" Hex Bolts per side. (fig. 5.1)

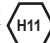
Repeat for second assembly.



Wood Parts

2 x Arch Beam Assembly

Hardware

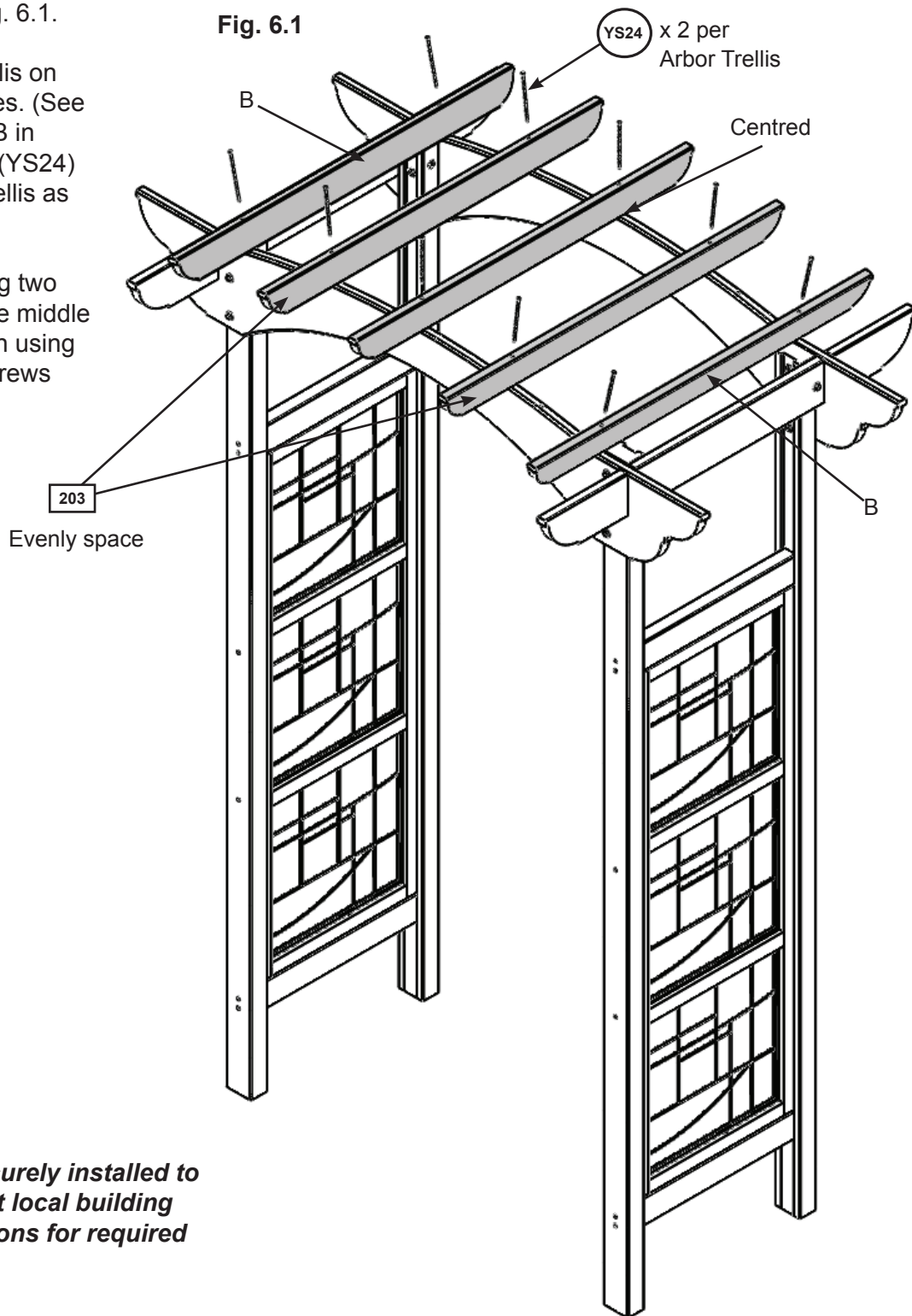
12 x  1/4 x 2-3/4" Hex Bolt
(1/4" lock washer, 1/4" flat washer, 1/4" t-nut)

Step 6: Attach Arbor Trellis

A: Attach one (203) Arbor Trellis centred on the top of both Arch Beam Assemblies, with two (YS24) #10 x 4" Wood Screws, as shown in fig. 6.1.

B: Place two (203) Arbor Trellis on the outside edges of the arches. (See location of the Trellis labeled B in the image.) Attach using two (YS24) #10 x 4" Wood Screws per trellis as shown fig. 6.1.

C: Evenly space the remaining two (203) Arbor Trellis between the middle and outside pieces, and attach using two (YS24) #10 x 4" Wood Screws per trellis as shown in fig. 6.1.



Notice: Posts must be securely installed to support structure. Consult local building codes and ground conditions for required footing design.

Wood Parts

5 x **203** Arbor Trellis 25.4 x 76.2 x 1041.4 mm

Hardware

10 x **YS24** #10 x 4" Wood Screw

NOTES

YARDISTRY

Consumer Registration Card

First Name Initial Last Name

--	--	--

Street Apt. No.

--	--

City State/Province ZIP/Postal Code

--	--	--

Country Telephone Number

--	--

E-Mail Address

--

Model Name Model Number (Box Labels)

--	--

Date Purchase Purchased From

--	--

MM / DD / YY

How would you rate this product for quality?

Excellent
 Very Good
 Average
 Below Average
 Poor

How would you rate this product for ease of assembly?

Excellent
 Very Good
 Average
 Below Average
 Poor

How would you rate our instructions?

Excellent
 Very Good
 Average
 Below Average
 Poor

How would you rate the quality of packaging?

Excellent
 Very Good
 Average
 Below Average
 Poor

Would you recommend the purchase of our products to friends and family?

Yes
 No

Comments:

MAIL TO:
 Yardistry c/o Solowave Design™
 375 Sligo Road W.
 Mount Forest, Ontario, Canada
 N0G 2L0
 Attention: Customer Service



Yardistry would like to say Thank You for your time and feedback.

