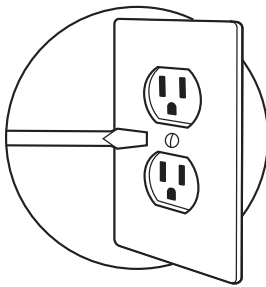


POWER PERCH

The Power Perch is so easy to install you may not need these instructions at all, but just in case, here are the details.

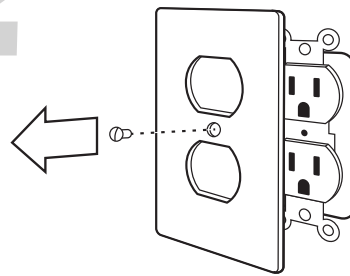
Power Perch installation instructions:

1



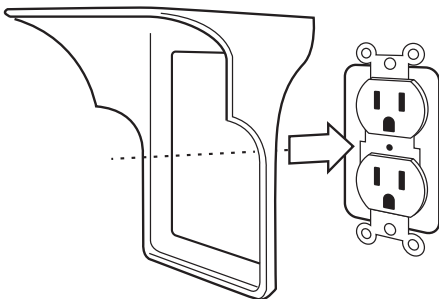
Remove the screw(s) from your outlet face plate using a screwdriver.

2



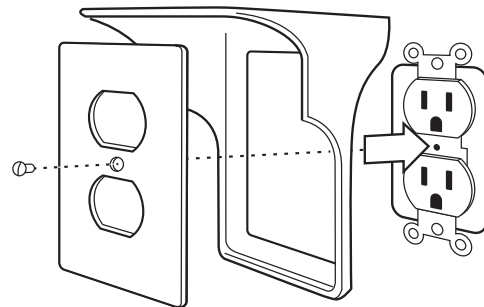
Remove the outlet face plate from the wall.

3



Place Power Perch on wall.

4



Place face plate over Power Perch. Align face plate and Power Perch to the outlet. Replace face plate screw(s), tightening until Power Perch is secure. Do not over tighten screw(s).