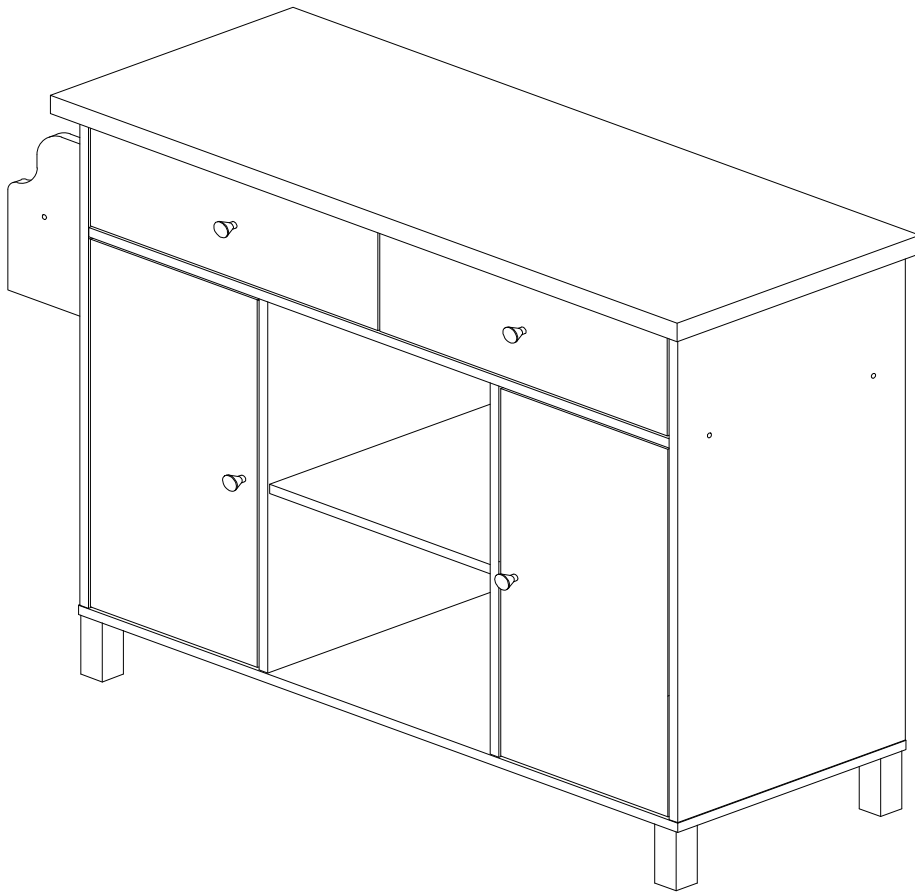




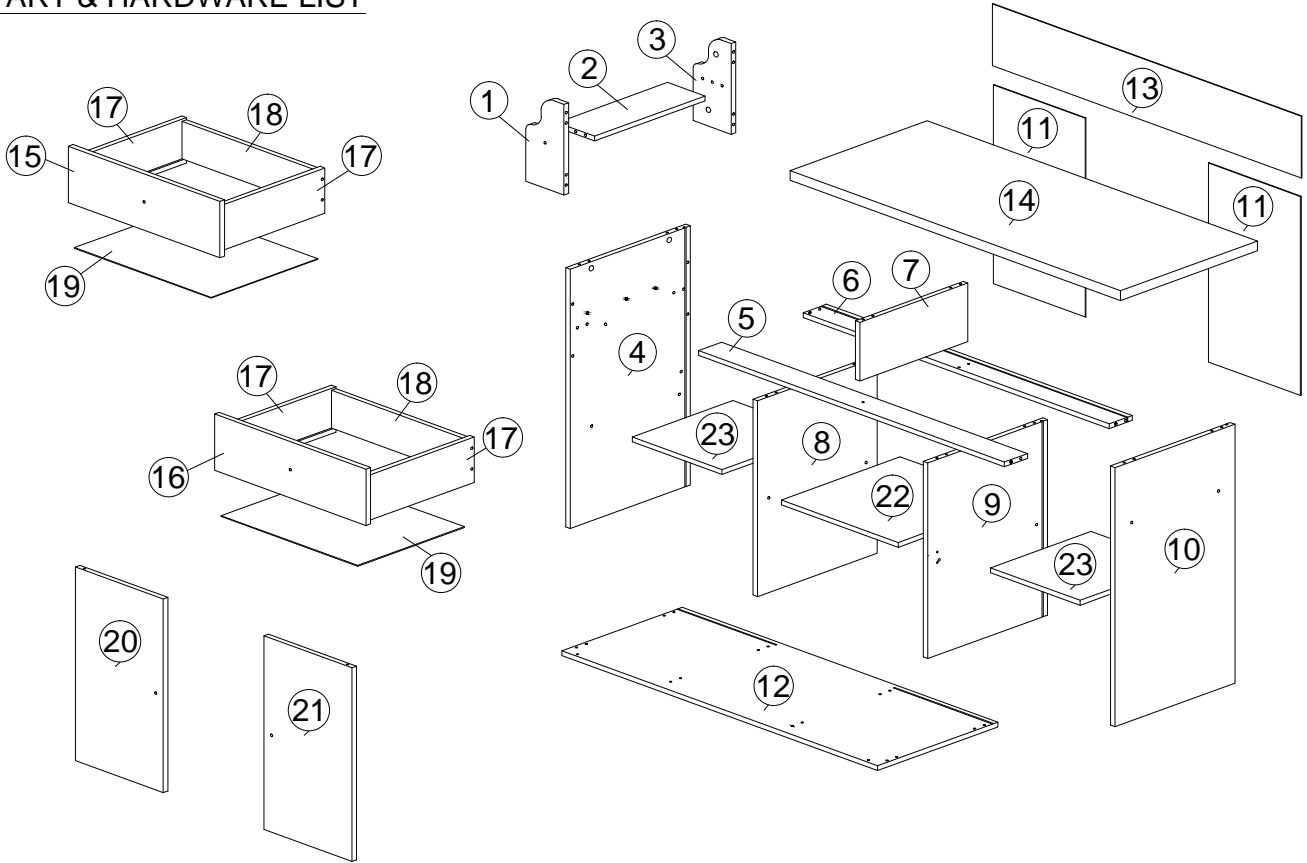
Hodedah
www.hodedah.com
support@hodedah.com



HIK 69-MOP
L47 $\frac{5}{8}$ " X D17 $\frac{4}{8}$ " X H37 $\frac{2}{8}$ "



PART & HARDWARE LIST



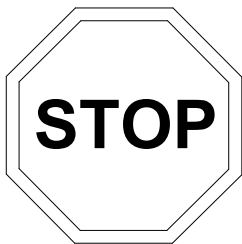
A		PLASTIC DOWEL M8 X 25MM	32
B		CB SCREW M3 X 12MM	2
C		CB SCREW M3.5 X 12MM	24
D		CB SCREW M3.5 X 16MM	24
E		CB SCREW M4 X 25MM	4
F		CB SCREW M4 X 35MM	16
G		CSK CAP M6 X 40MM	23
H		PVC SHELF SUPPORT	12
I		DOOR SUPPORT SPRING	4
J1		902 MAGNET PLATE	2
J2		902 MAGNET	2
K		MINIFIX 5654	6

L		CAP	16
M1		HANDLE SV 48 (SILVER)	4
M2		P/H SCREW M4 X 24MM	2
M3		P/H SCREW M4 X 40MM	2
N		POWER NAIL 6/8	24
O		DRAWER SLIDE 14"	4+4
P		ABS SQUARE LEG (H100MM)	6
Q		ALLEN KEY	1
R		ALUMINIUM PIPE (384MM)	2



Hodedah
www.hodedah.com
[support @hodedah.com](mailto:support@hodedah.com)

- This product contains small components, please ensure that they are kept away from small children.
- THIS INSTRUCTION BOOKLET CONTAINS **IMPORTANT** SAFETY INFORMATION. PLEASE READ AND KEEP FOR FUTURE REFERENCE.



DO NOT RETURN PRODUCT TO THE STORE.

If a part is missing or damaged, email our customer service. We will gladly ship your replacement parts FREE of charge.

Need Parts or Assistance?

email us at

support@hodedah.com

For prompt, reliable service; please have your assembly manual ready.



Hodedah
www.hodedah.com
[support @hodedah.com](mailto:support@hodedah.com)

Thank you for purchasing from Hodedah

**To learn more about hodedah and our products visit
www.hodedah.com**

READ BEFORE BEGINNING ASSEMBLY

- Read each step carefully. It is very important that each step of instruction is performed in the correct order. If these steps are not followed in sequence, assembly difficulties will occur.
- Make sure all parts are included. Most parts are labeled or stamped on the raw edge.
- Work in spacious area, preferably on a carpet, near the place the unit will be used.
- Do not use power tools to assemble your furniture. Power tools may strip or damage the parts.

HELPFUL HINTS

- Call us if you need assistance.
- Move your new furniture carefully, with two people lift and carry the unit to it's new location.
- Never push, drag or pull your furniture (especially on carpet).

Warranty Information

Hodedah warrants this product to be free from defects in material and workmanship agrees to remedy any such defect. This warranty covers one year from the date of original purchase. This is solely limited to be repair or replacement of defective parts and no assembly labor is included.

This warranty does not apply to any product which has been improperly assembled, subjected to misuse or abuse or which has been altered or repaired in any way.

To obtain warranty, purchaser must present original bill of sale. Components repaired or replaced warranted through the remainder of the original warranty period only. The defective components will be repaired or replaced without charge, subject to the terms and conditions described above.

**For help with assembly, identifying parts, product information or to
order parts, please contact us :**


Call us at :
718-456-0505
Monday - Friday
9:00am - 5:00pm

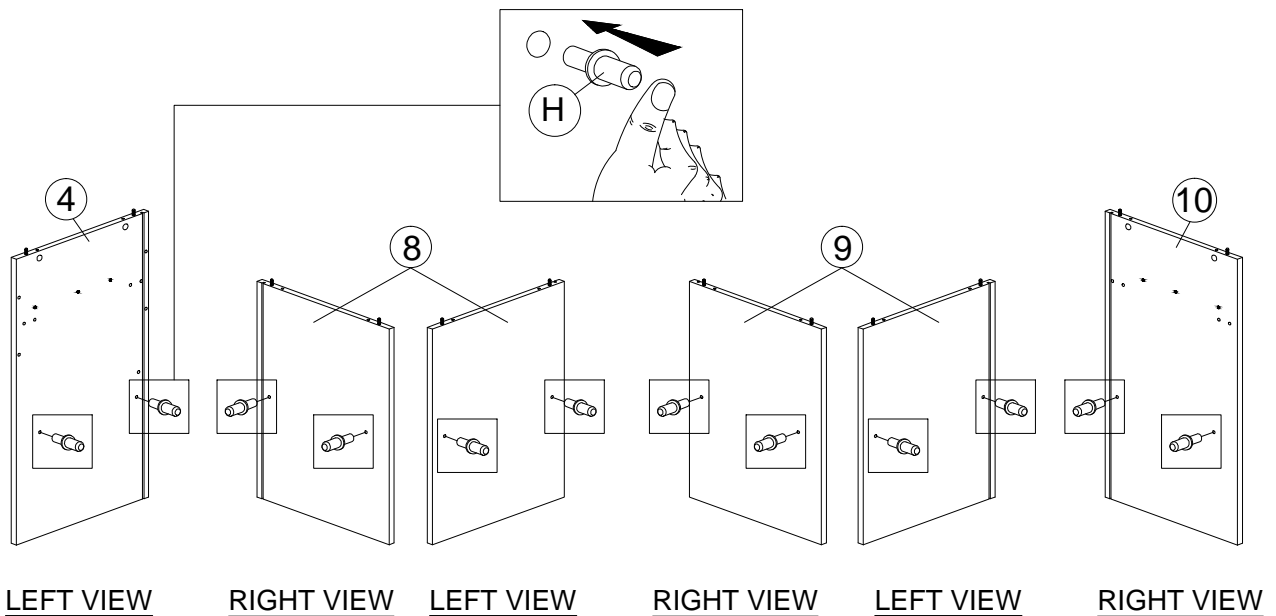
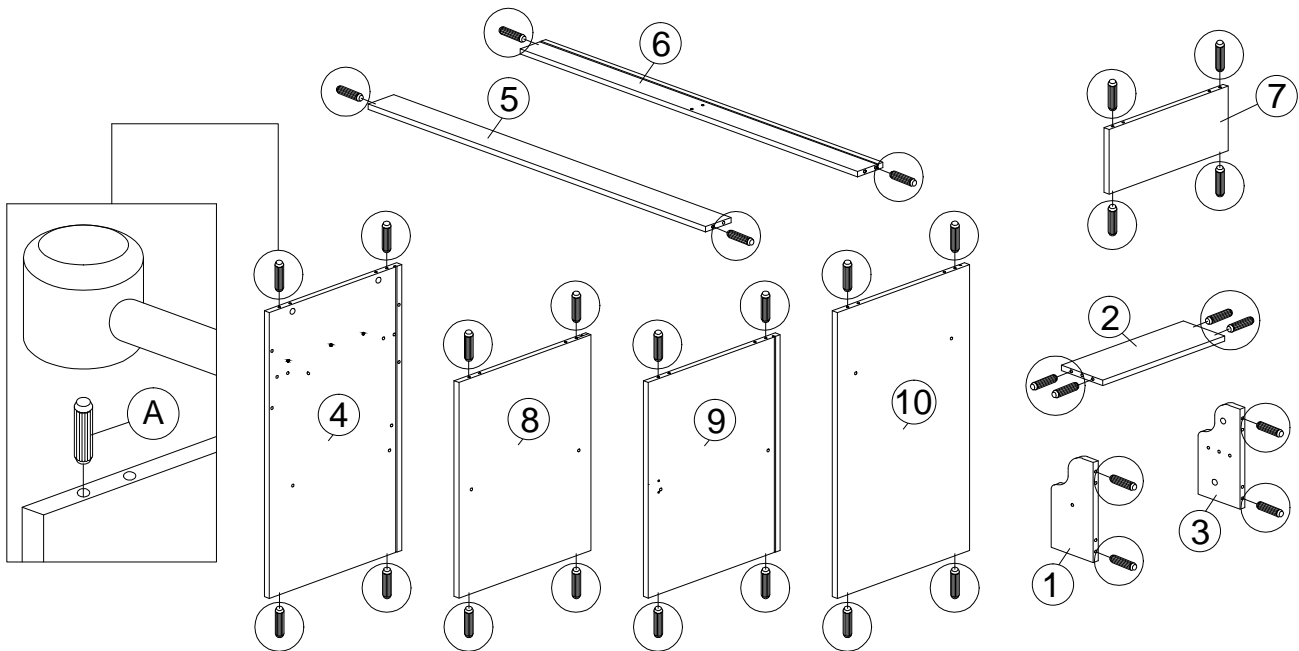
Visit our website :
www.hodedah.com



STEP 1

A		PLASTIC DOWEL M8 X 25MM	32
---	---	-------------------------	----

H		PVC SHELF SUPPORT	12
---	---	-------------------	----

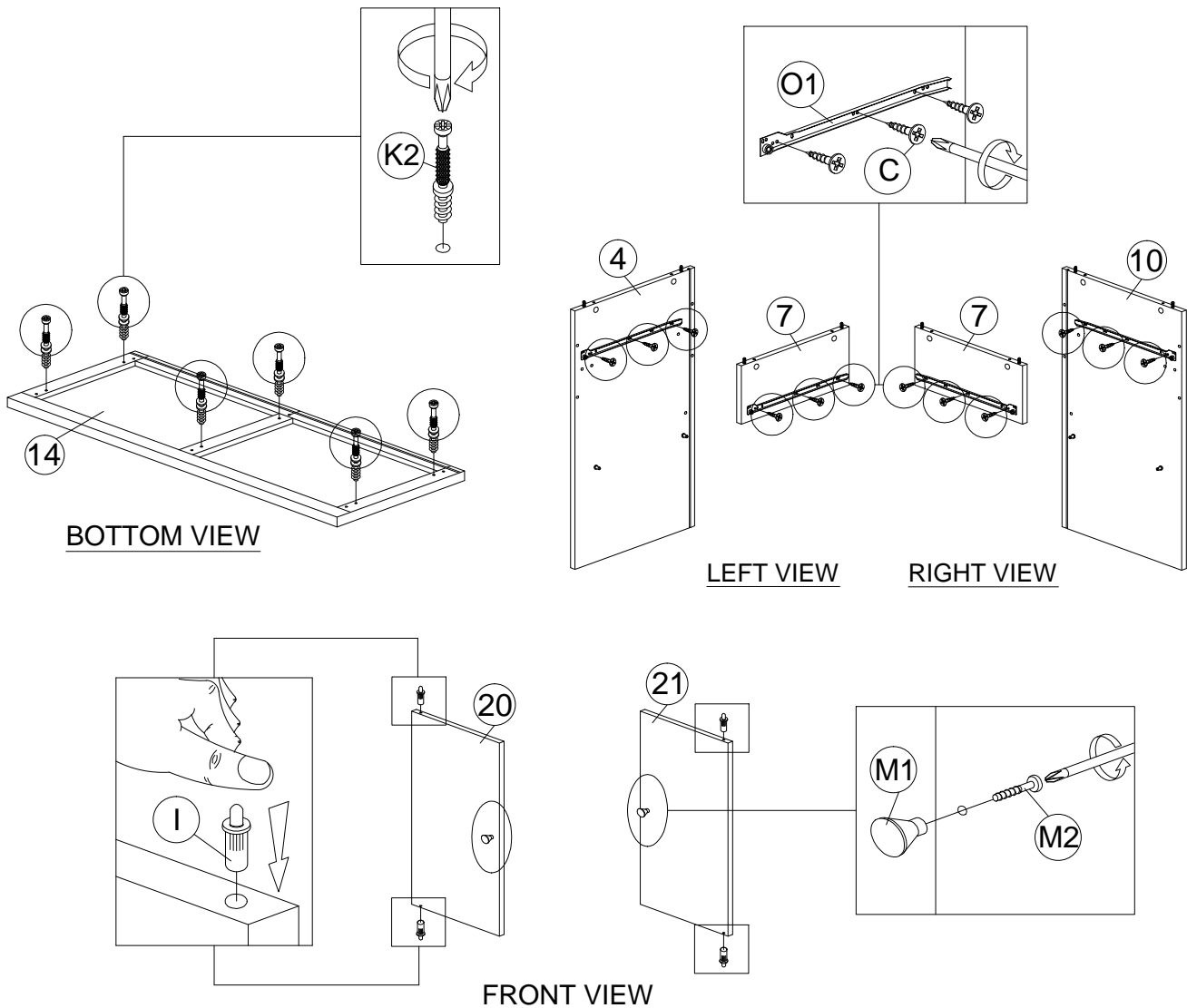


- Insert 32 x Plastic dowel (A) into Panels (1), (2) (3), (4), (5), (6), (7), (8), (9) & (10) using a plastic hammer.
- Insert 12 x Pvc shelf support (H) into panels (4), (8), (9) & (10) by push with thumb.

STEP 2

C		CB SCREW M3.5 X 12MM	12
I		DOOR SUPPORT SPRING	4
K2		MINIFIX 5654	6

M1		HANDLE SV 48 (SILVER)	2
M2		P/H SCREW M4 X 24MM	2
O1		DRAWER SLIDE 14"	4

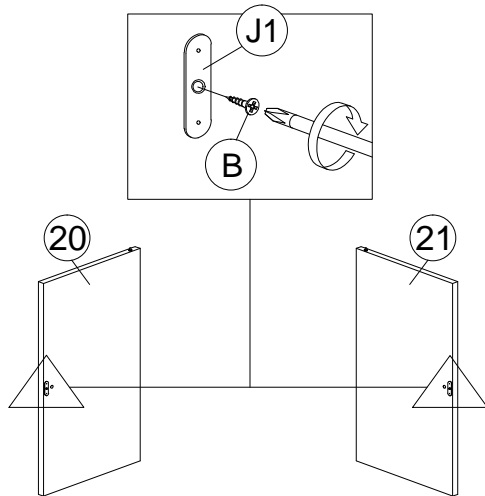


- Assemble 2 x Drawer slide (O1) to Panel (1) & (5) with 6 x CB Screw M3.5 x 12m (C) using Philips head screwdriver.
- Insert 4 x Door support spring (I) into Panel (13) & (14) by push with thumb.
- Attach 2 x Handle SV 48 (M1) to Panel (13) & (14) front with 2 x P/H Screw M4 x 24mm (M2) using a Philips head screwdriver.

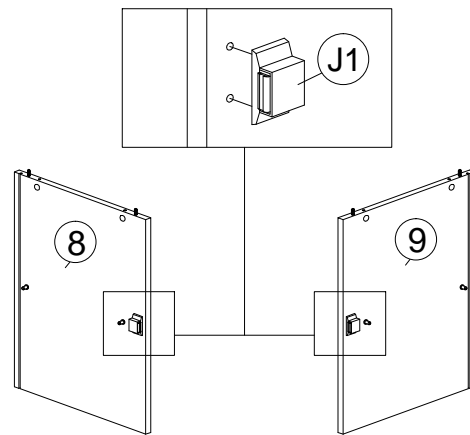
STEP 3

B		CB SCREW M3 X 12MM	2
G		CSK CAP M6 X 40MM	6
J1		902 MAGNET PLATE	2
J2		902 MAGNET	2

L		CAP	6
M1		HANDLE SV 48 (SILVER)	2
M2		P/H SCREW M4 X 24MM	2
Q		ALLEN KEY	1
R		ALLUMINIUM PIPE (384MM)	2

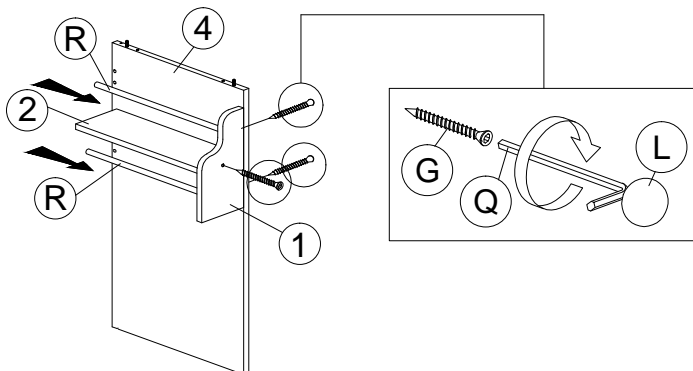


BACK VIEW

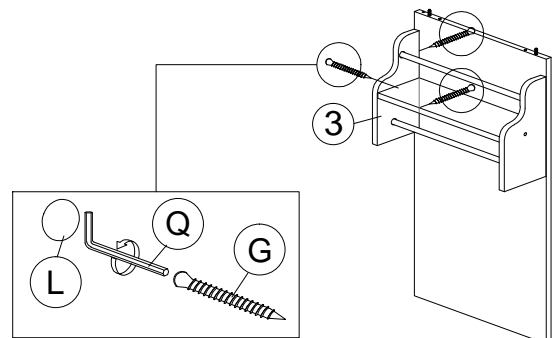


RIGHT VIEW

LEFT VIEW



RIGHT VIEW



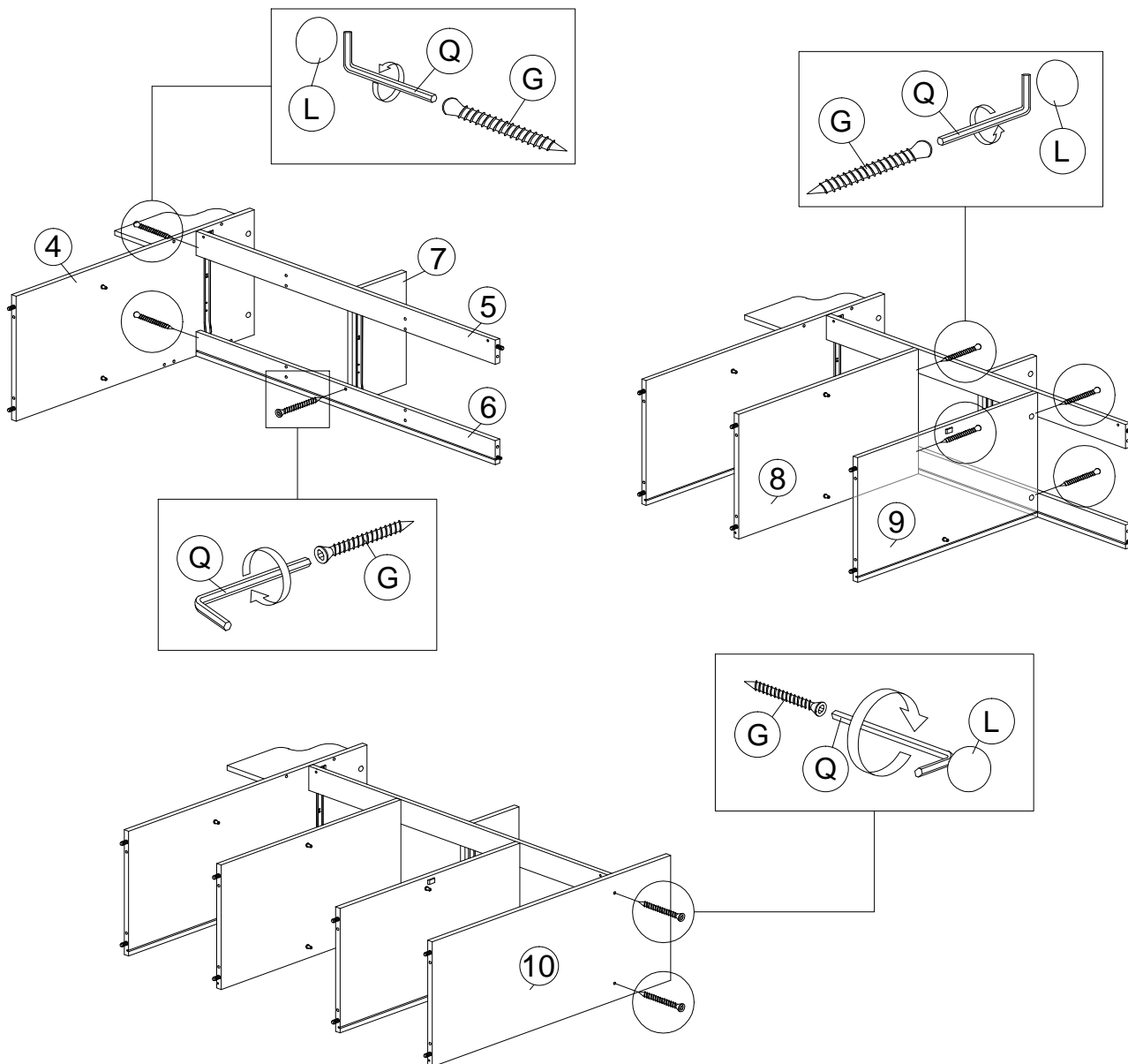
RIGHT VIEW

- Fix 2 x Magnet plate (J1) to Panel (20) & (21) back with 2 x CB Screw M3 x 12mm (B) using a Philips head screwdriver.
- Insert 2 x Magnet (J2) to Panel (8) & (9) by using a Plastic Hammer.
- Attach Panel (1) to Panel (4) with 2 x CSK Cap M6 x 40mm (G) using an Allen Key (Q) & insert 2 x Cap (L).
- Attach Panel (2) to Panel (1) with 1 x CSK Cap M6 x 40mm (G) using an Allen Key (Q) & insert 2 x Cap (L)
- Slot 2 x Alluminium pipe (R) into Panel (1).
- Attach Panel (3) to Panel (2) & (4) with 3 x CSK Cap M6 x 40mm (G) using an Allen Key (Q) & insert 2 x Cap (L)

STEP 4

G		CSK CAP M6 X 40MM	9
L		CAP	4


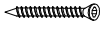
Q		ALLEN KEY	1
---	--	-----------	---

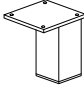



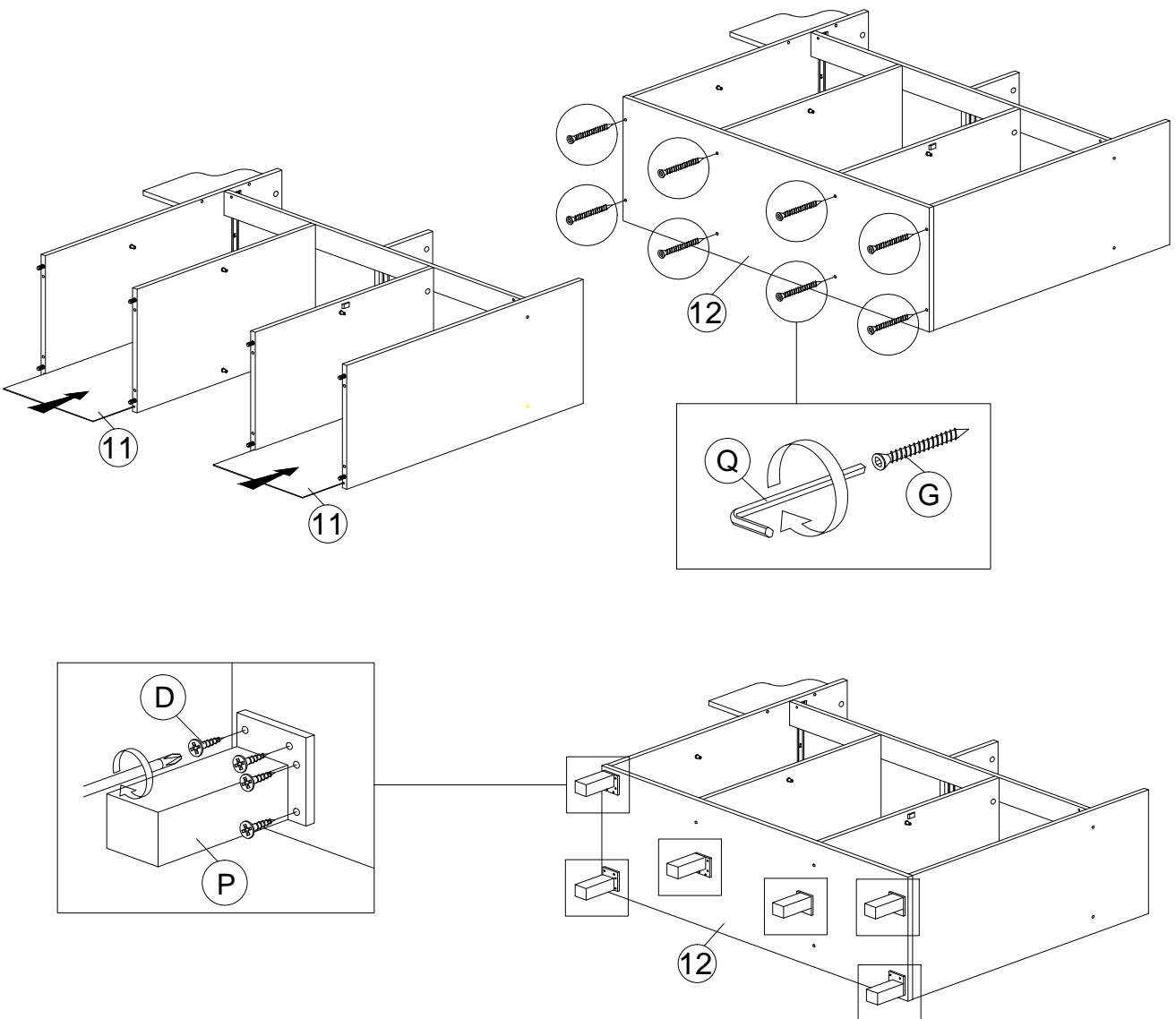
- Attach Panel (5) & (6) into Panel (4). Insert 2 x Csk Cap M6 x 40 (G), tighten with Allen key (Q) & insert 2 x Cap (L).
- Attach Panel (7) into Panel (5) & (6). Insert 2 x Csk Cap M6 x 40 (G), tighten with Allen key (Q).
- Attach Panel (8) & (9). Insert 4 x Csk Cap M6 x 40mm (G), tighten with Allen key (Q).
- Attach Panel (10) to Panel (5) & (6) insert 2 x Csk Cap M6 x 40mm (G), tighten with Allen key (Q). Insert 2 x Cap (L).



STEP 5

D		CB SCREW M3.5 X 16MM	24
G		CSK CAP M6 X 40MM	8

P		ABS SQUARE LEG (H100MM)	6
Q		ALLEN KEY	1

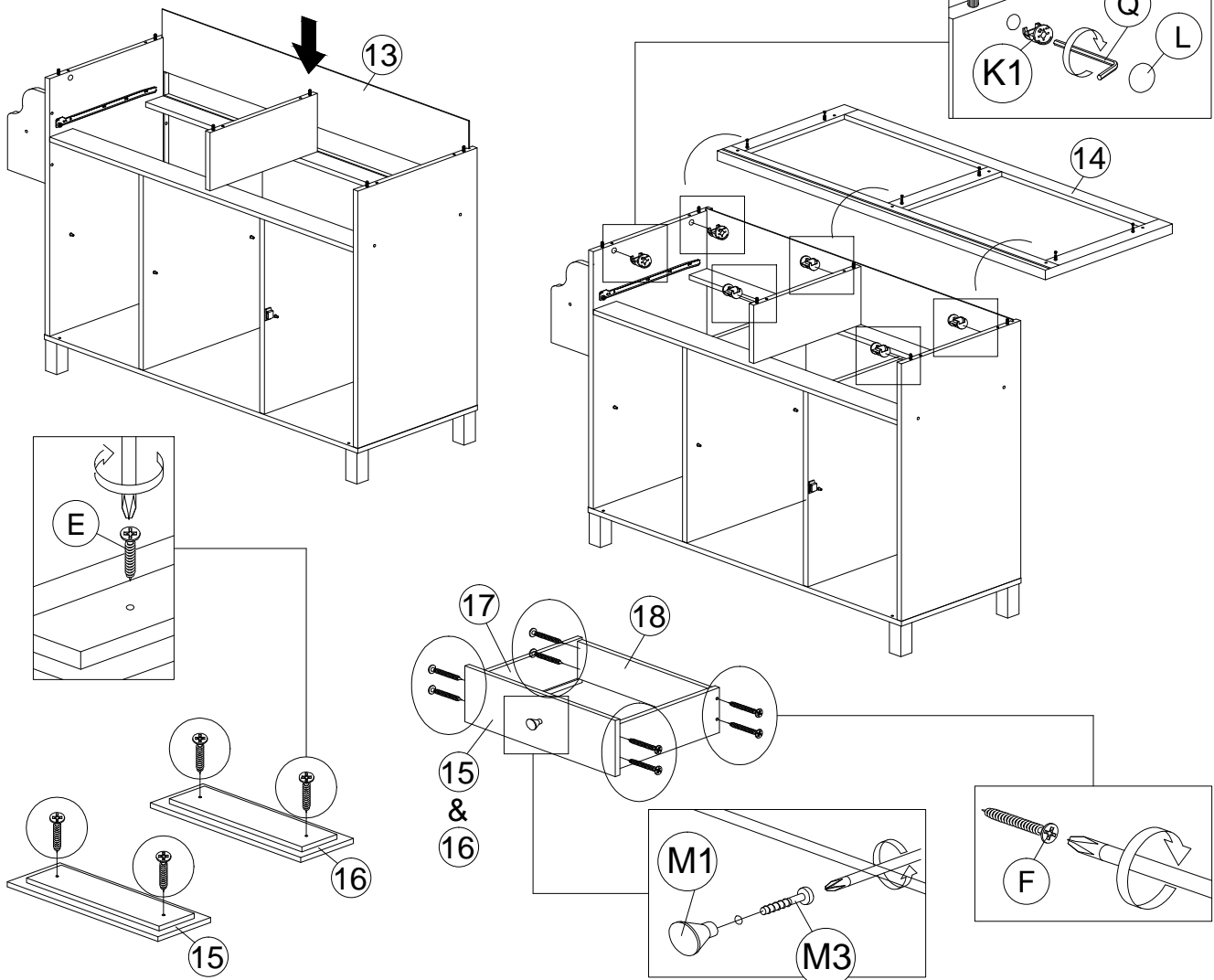


- Slot 2 x Panel (11) into Panel (4), (8), (9) & (10) groove.
- Attach Panel (12) to Panel (4), (8), (9) & (10) with 8 x CSK Cap M6 x 40mm (G), tighten with Allen key (Q).
- Fix 6 x ABS Square leg (P) into Panel (12) base. Use 24 x Csk M3.5 x 16mm (D) & tighten using Phillips Head screwdriver.

STEP 6

E		CB Screw M4 X 25MM	4
F		CB Screw M4 X 35MM	16
K1		MINIFIX 5654	6
L		CAP	6

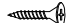

M1		HANDLE SV 48 (SILVER)	2
M3		P/H SCREW M4 X 40MM	2
Q		ALLEN KEY	1

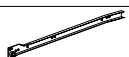


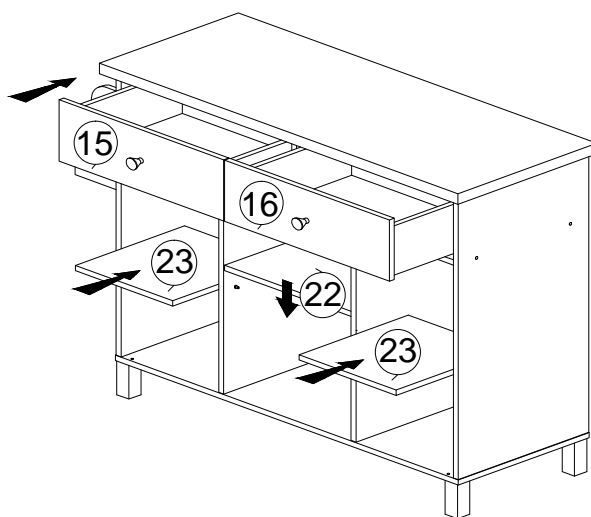
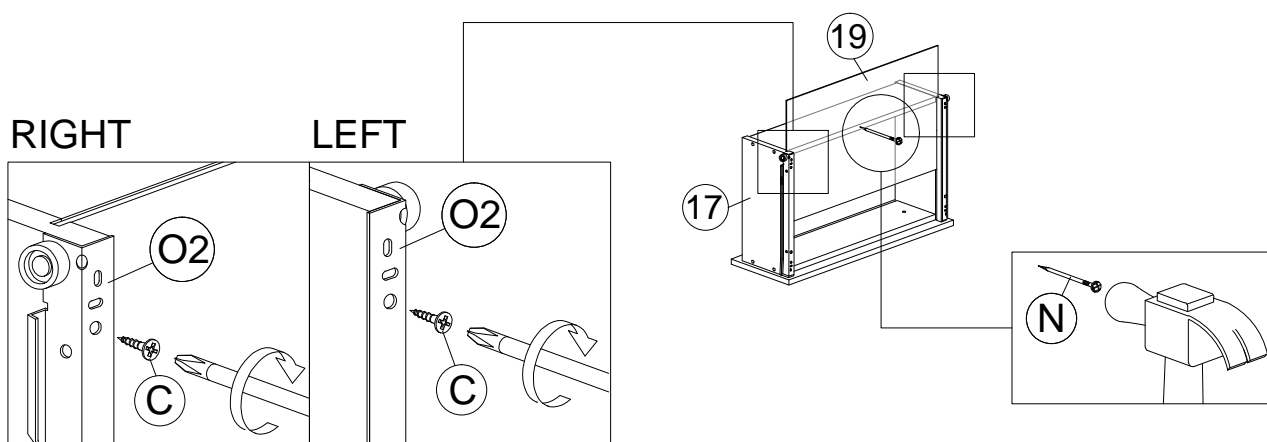
- Slot 1 x Panel (13) into Panel (4) & (10) groove.
- Attach panel (14) to panels (4), (8), (9) & (10), insert 6 x Minifix (K1), tighten with Allen key (Q). Insert 6 x Cap (L).
- Insert 4 x CB Screw M4 x 25mm (E) to Panel (15) & (16) back using a Phillips head screwdriver.
- Attach 2 x Panel (17) into Panel (15). After that attach 1 x Panel (18) into both Panel (17) with 8 x CB Screw M4 x 35mm (F). Tighten using Phillips head screwdriver. Repeat for the next drawer.
- Fix 2 x Handle (M1) to Panel (15) & (16) front. Insert 2 x P/H Screw M4 x 40mm (M3) & tighten with Phillips head screwdriver.



STEP 7

C		CB SCREW M3.5 X 12MM	12
N		POWER NAIL 5/8"	24

O2		DRAWER SLIDE 14"	4
----	--	------------------	---

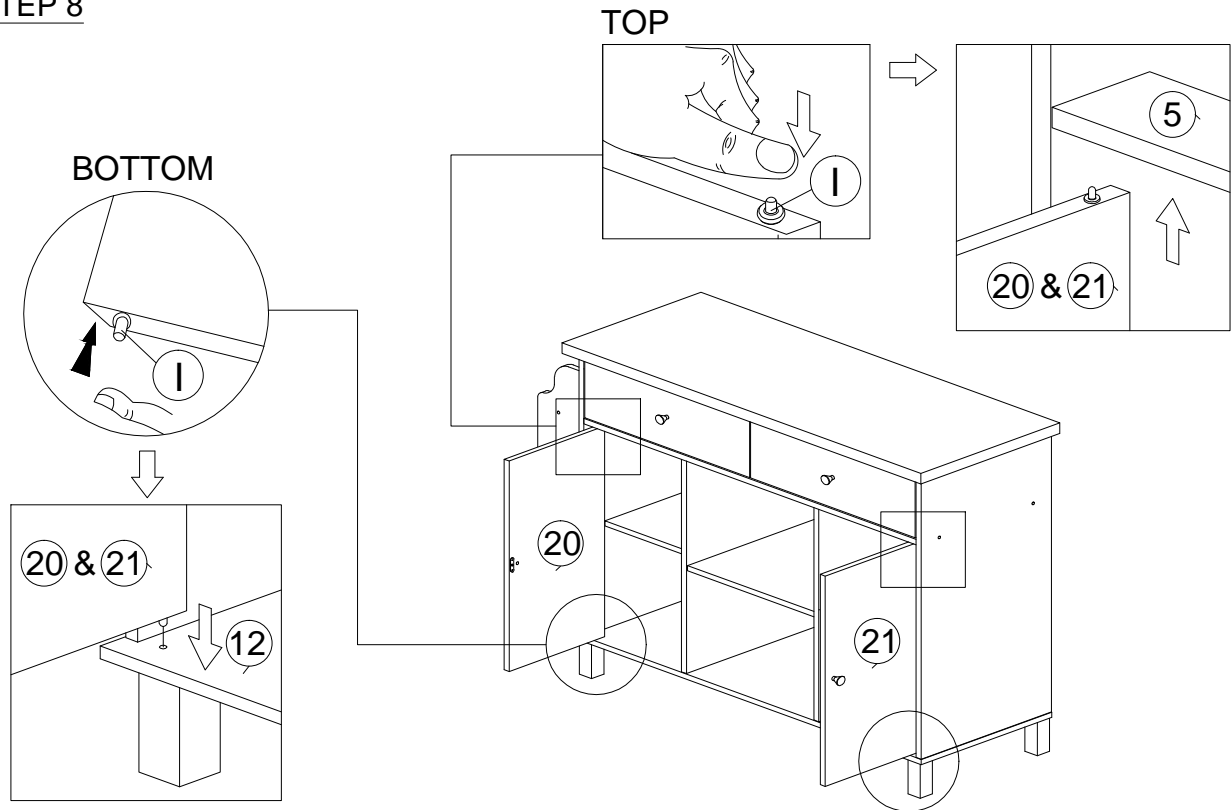


- Fix 4 x Drawer slide 14" (O2) into Panel (17) using 12 x CB Screw M3.5 x 12mm (C) & tighten with Philip head screwdriver.
- Slot 2 x Panel (19) into Panel (10) groove & use 24 x Power nail (N) for fix it. Knock by using a hammer.
- Slide the drawer box into the drawer slide at the Panel (4), (7) & (10).
- Place Panel (22) into the center of Kitchen Cart.
- Slide 2 x Panel (23) between Panel (4), (8), (9) & (10).

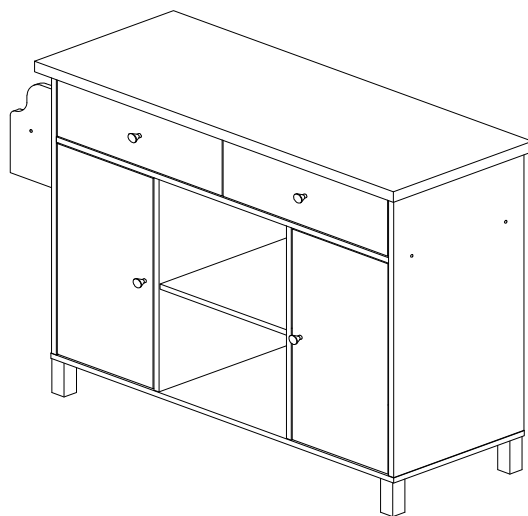


Hodedah
www.hodedah.com
support@hodedah.com

STEP 8



- Press & insert the Door support spring (I) at the panel (20) & (21) top into the hole at bottom of Panel (5).
- Press the Door support spring (I) at the panel (20) & (21) base & insert into the hole at panel (12).



Job Complete !

In the interest of our environment please dispose of all packaging thoughtfully.