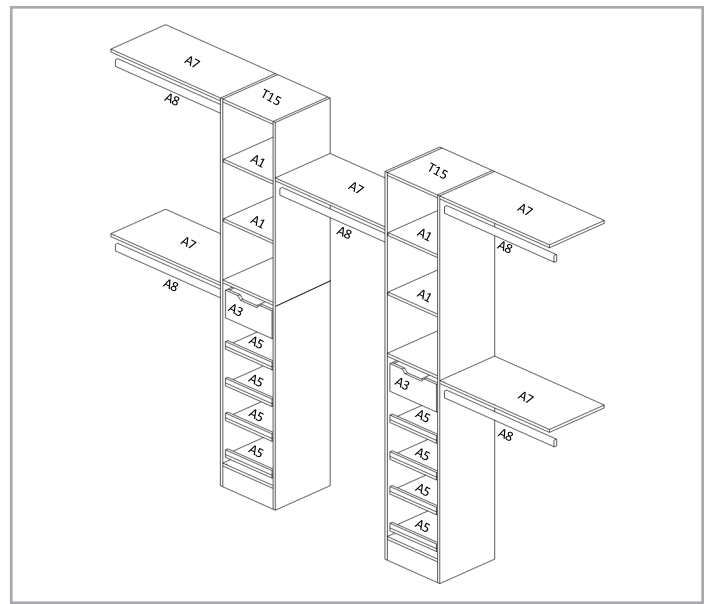


ASSEMBLY GUIDE

Reach In 75-165
RI75-165



This Kit consists of 16 cartons, they are as follows:

QUANTITY	IDENTIFIER	DESCRIPTION
2	A1	Adjustable Shelf Pack for 15" Wide Utility Tower
4	A5	Slide Out Shelf Pack for 15" Wide Utility Tower
2	T15	15" W x 84" H x 15" D Utility Tower
5	A8	45" Long Closet Hang Rod
2	A3	Rollout Tray (Drawer Kit) for 15" Wide Utility Tower
5	A7	45" Long Closet Shelf Kit

Print this form and save with your receipt. If this kit needs to be returned for any reason, all cartons must be returned to receive full credit.

If you have any questions or need additional assistance, please contact Modifi Customer Service at **1-844-766-3434** or customerservice@hdmodifi.com.