



**Assembly Instructions  
Model 1470**

***Mid-Sized French Country WorkCenter***

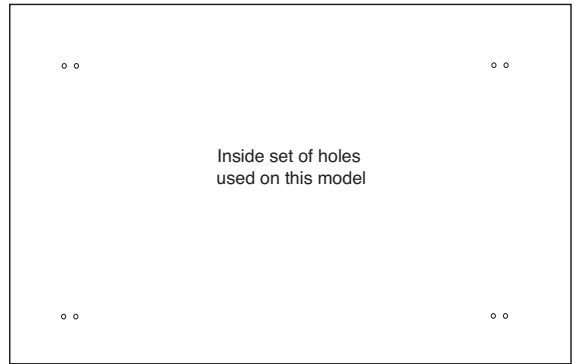


- A. Assembly uses the Bastion System; a simple yet rugged compression fastening system.**
- B. This unit is made of solid North American hardwood and has a factory applied oil finish. See the enclosed booklet for care instructions.**
- C. Directions (left/right, front/back) are given as facing the front of an assembled unit.**

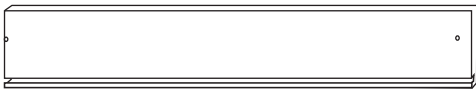
# Model 1470 Parts List



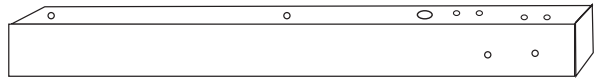
P/N: SLS1470  
(2) Slated Shelf 25-3/4" x 16-3/4" x 1-3/4"



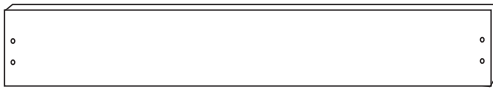
P/N: TT1470  
(1) Table Top 30" x 20" x 2-1/2"



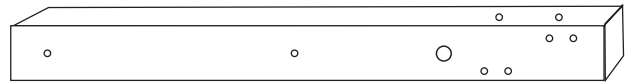
P/N: DF1470  
(1) Drawer Front 21-15/16" x 4-3/8" x 3/4"



P/N: FL/BRleg1470  
(2) Front Left/Back Right Legs  
30" x 2-1/2" x 2-1/2"



P/N: DBK1470  
(1) Drawer Back 21-1/8" x 3-1/2" x 3/4"



P/N: FR/BLleg1470  
(2) Front Right/Back Left Legs  
30" x 2-1/2" x 2-1/2"



P/N: DSL1470  
(1) Drawer Side Left  
14" x 3-1/2" x 3/4"



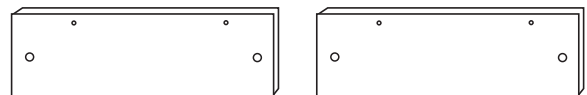
P/N: DSR1470  
(1) Drawer Side Right  
14" x 3-1/2" x 3/4"



P/N: TBK1470  
(1) Top Back Brace 22-1/8" x 4-1/2" x 3/4"



P/N: DB1470  
(1) Drawer Bottom 20-1/4" x 14-5/8" x 5.2mm



P/N: TSB1470  
(2) Top Side Brace 13" x 4-1/2" x 3/4"



P/N: GSB1470  
(2) Glide Support Brace  
13" x 2" x 3/4"

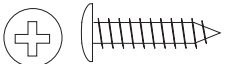
# HARDWARE 1470



P/N: Pin 3/4"  
3/4" Long 3/16" DIA. Steel Pin (12)

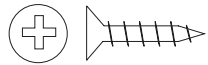


P/N: SKRU 1 1/4 #8  
1 1/4" Phillips Flat Head #8 Screw (12)



(used to attach glides)

P/N: SKRU 7/16 PANHEAD  
7/16 #6 Pan Head Screw (8)

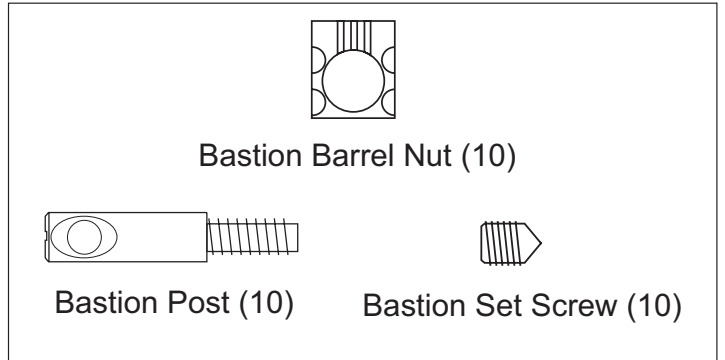


(used to attach  
"L" Brackets)

5/8" Phillips Head #6 Screw (8)



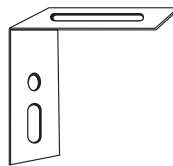
P/N: Glide - 1476 (1)  
14" Full Extension Glide Set



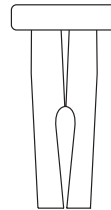
Bastion Barrel Nut (10)

Bastion Post (10)

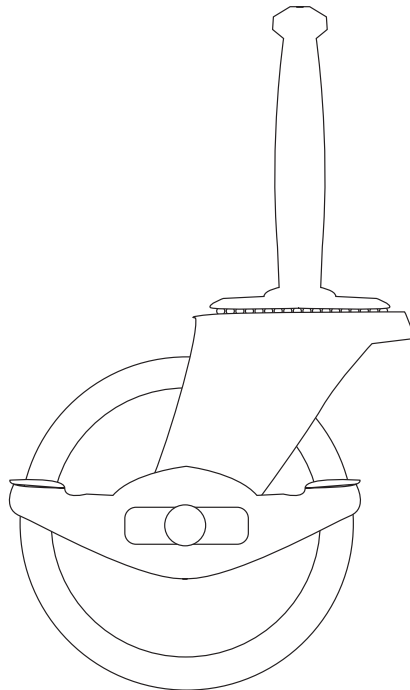
Bastion Set Screw (10)



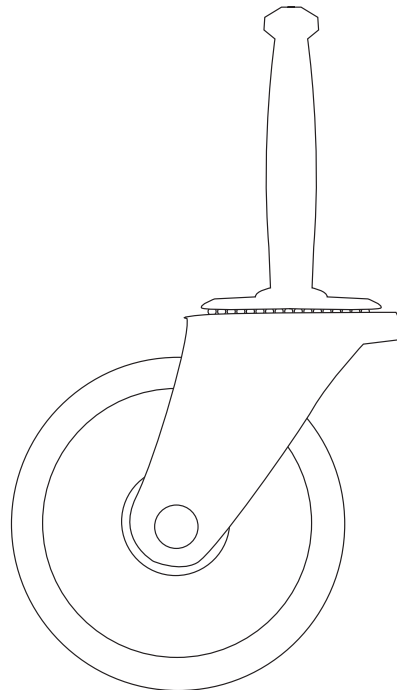
L-Bracket (4)



Caster Socket (4)



Locking Wheel Caster (2)



Non-Locking Wheel Caster (2)

Towel Bar (2)

# TIPS ON HOW THE BASTION FASTENING SYSTEM WORKS

1. The Bastion fastening system consists of a steel post (threaded on one end with a hole through the shaft on the other end); a Barrel Nut (cylindrical barrel-shaped with threaded open end & holes through the sides); and a Set Screw (Phillips slot on one end, pointed on the other)

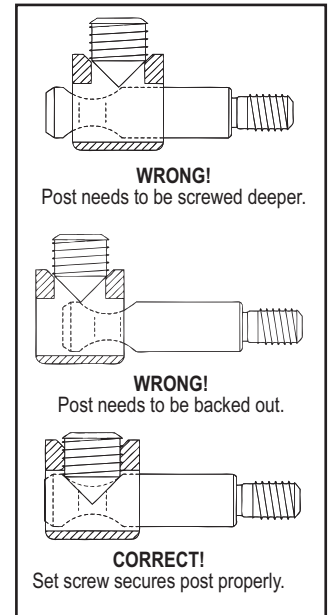
2. To attach Posts: A) Dip threads of Post in vegetable oil. B) Align threaded end of Post with hole in wood, tap on slotted end with hard hammer until threads enter, then tighten down using a flat head screw driver or the provided allen wrench (See the Illus. Bas. 3 for alternate seating methods). DO NOT TRY TO HAMMER THE POST ALL THE WAY IN AS IT WILL STRIP THE POST HOLE. C) When solid shaft of Post hits wood, back out approximately 1/2 turn until the hole in the posts is properly aligned as per step by step directions. For example: the holes in the posts on the inside of the drawer front will be parallel with the long length of the drawer front when properly seated.

3. A) Place a Barrel Nut into the nut access hole, so that the threads in the nut face out. The small notches on either side of the nut opening, indicate the location of the holes through the sides of the nut. B) Insert the posts through the end of the braces (or drawer sides); through the holes in the sides of the nut. When properly aligned, you will see the hole in the post inside the barrel nut. Post hole should be slightly off-center toward the wood.

4. Insert the Set Screw into the threaded end of the nut and tighten down. The tip of the Set Screw will seek the center of the hole in the Post as it is tightened down, forcing the Nut toward the main shaft of the Post. This is what tightens the wooden parts together. Set screws should thread easily – DON'T CROSS THREAD! If Set Screw doesn't thread easily, check position of the hole in Post.

5. If the wooden parts are not tight against each other, the Post needs to be screwed a half turn at a time until wood joints are tight.

Illustration Bas. 1



Step 1

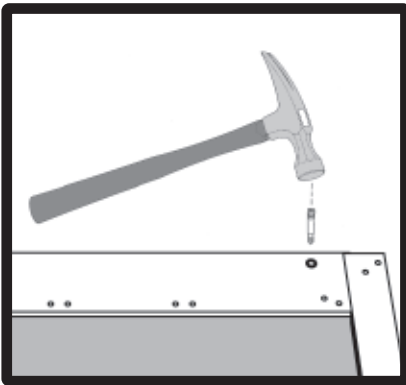
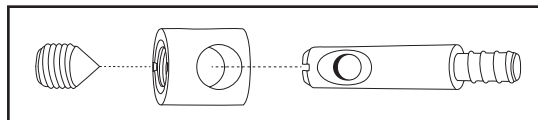
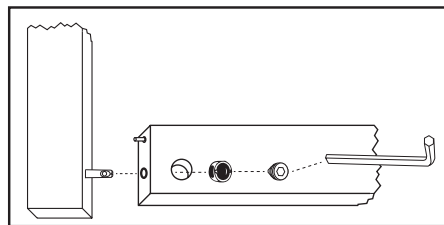


Illustration Bas. 2

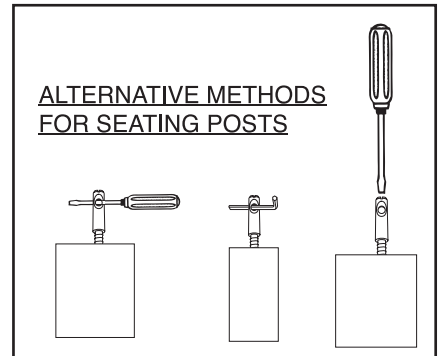


Step 2



Allen Wrench Provided

Illustration Bas. 3



See video on our website!

If you have any questions regarding assembly or missing or damaged parts, call our customer support number:

607-652-7321 or 888-732-7321.

Customer Support Hours are 8am-5pm Mon. - Fri. Eastern Time zone.

# STEP 1

## Assemble Side Panels

A. Each side panel consists of two (2) legs, one (1) top side brace and one (1) glide support brace. When assembled, diagonal legs will be the same (i.e. Front Right/Back Left & Front Left/Back Right). Side panels are identical when assembled – the drawer glides will determine left and right sides.

B. Tap a 3/4" pin in each end of the top side braces. Take each of the 4 legs and install one (1) bastion post per leg, on the side of the leg which also has two (2) pin holes for the glide support sticks. Locate post holes. Tap posts in with hammer until threads engage wood; turn posts down until the solid shaft hits the wood (all threads are into wood), then back post out until the hole in the post is perpendicular to the long length of the leg (about 1/2 turn).

C. Lay out Front Left leg, one (1) top side brace and back left leg as in Illustration 1A. Note the two pilot holes for the L brackets are along the top inside of the top side brace.

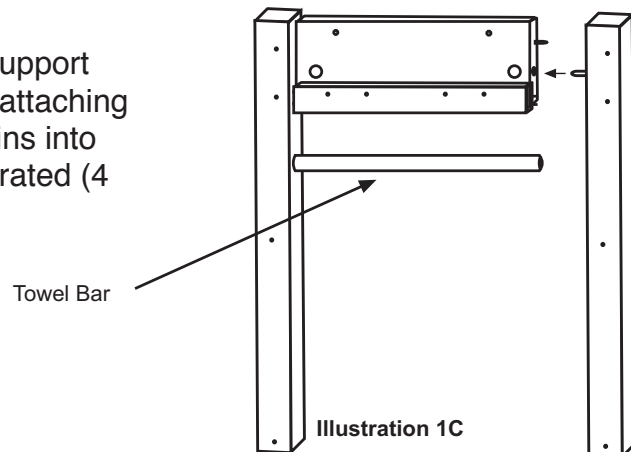
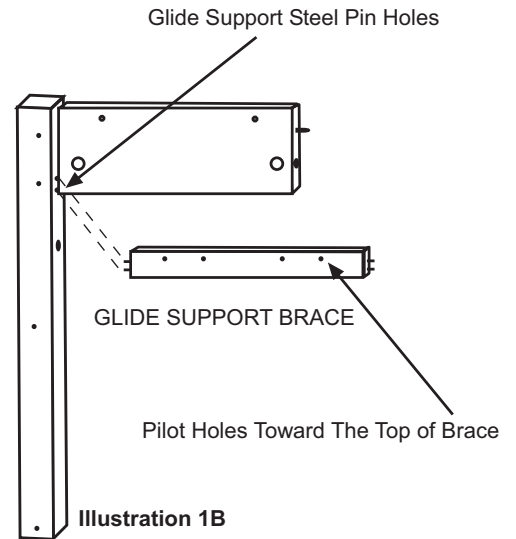
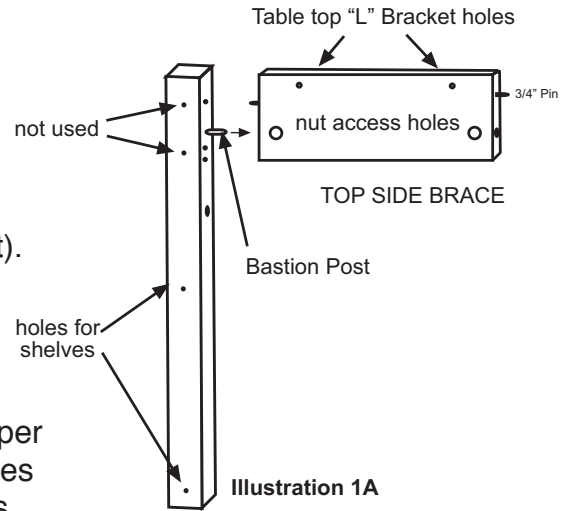
D. Take the top side brace and drop a barrel-shaped bronze bastion nut into the nut access hole as illustrated. Threaded end of the nut faces out. Insert front left leg post into the hole in the end of the brace, through the side of the barrel nut, until the hole in the post can be seen through the threaded end of the nut. Insert the set screw into the nut and tighten down. The tip of the set screw will seek the center of the bastion post as it is tightened, leaving a tight joint. If the joint is loose, check to make sure the set screw is not cross-threaded or that the post is out too far (not threaded into leg deep enough.) See Instructions for Bastions illustrations on page 3 for clarification of assembly.

E. Insert two 3/4" pins into each end of the glide support brace. Position brace such that the pilot holes for attaching the glide are towards the top edge. Insert brace pins into the holes on the inside of the left front leg as illustrated (4 pilot holes out).

F. Fit Towel bar into hole below twin holes for drawer glide support brace.

G. Attach Back Left leg in same manner.

H. Repeat for other side panel.

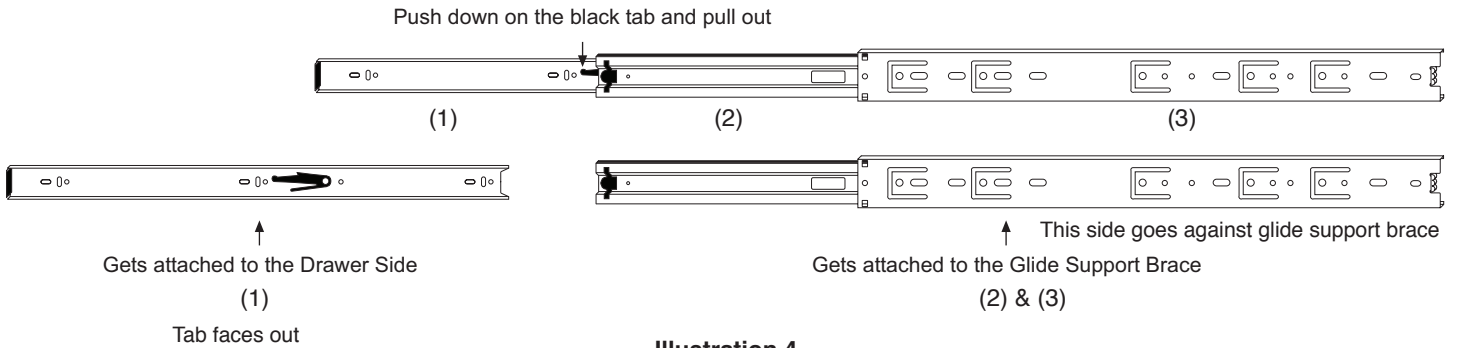


## STEP 2

### Attach Drawer Glides to Glide Support Sticks

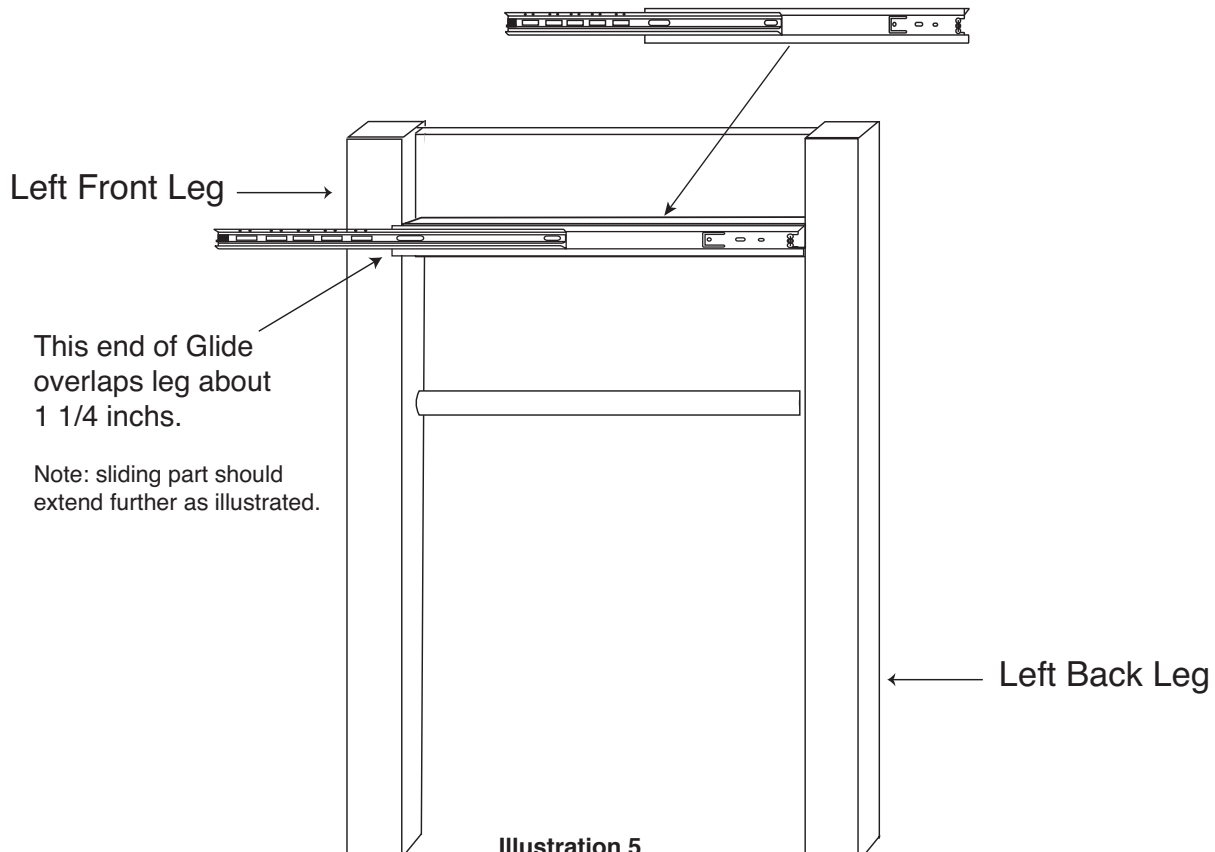
A. Take the drawer glides, extend them to their fullest. See illustration 4. The glide has 3 parts. Remove the furthest extended part (1) (smallest) by pushing the black plastic lever down – then pull part out, separating it. This part will attach to the drawer side later. Attach the largest parts (2&3) to the glide support stick using holes as illustrated. Attach with Two (2) 7/16" #6 panhead screws. About 1" of the glide will overlap the front leg. Only 2 holes in the glide support sticks will be used. See illustration 5.

B. Repeat with other side.



### Prepare Side Assemblies for back braces

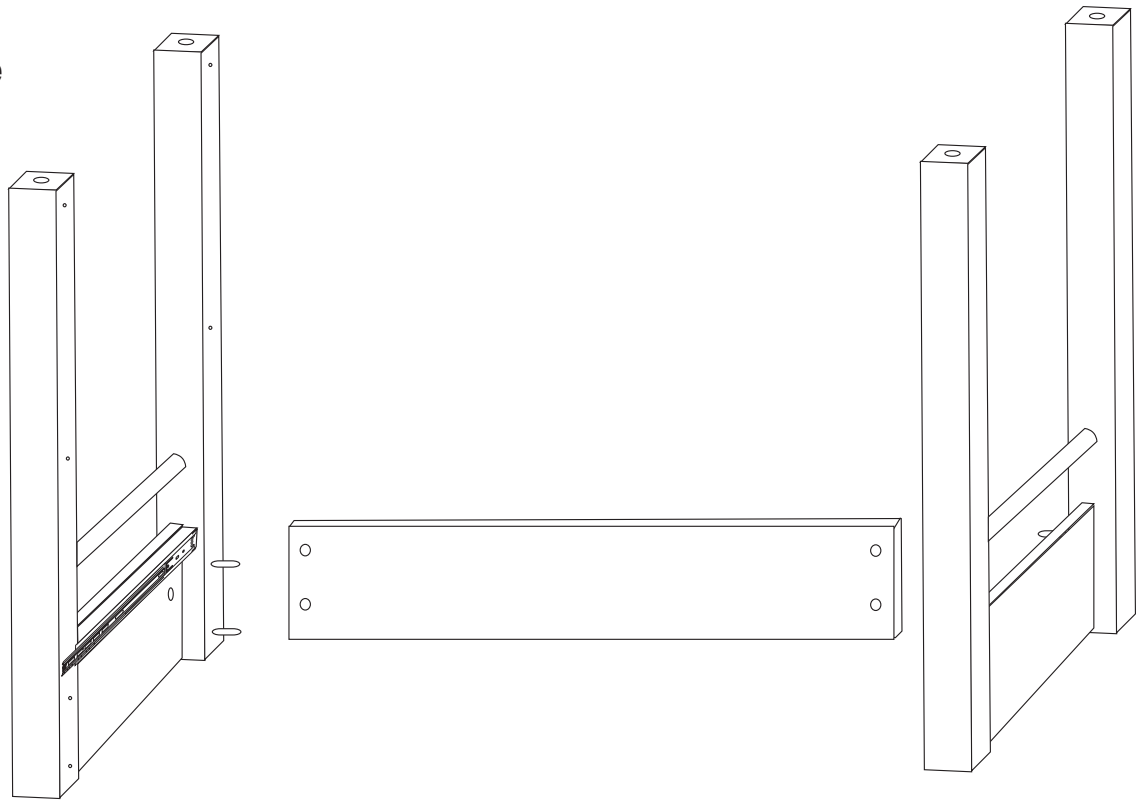
C. The top back brace utilizes the Bastion system for attachment. Place the Bastion posts into their positions on the back legs only of both side assemblies.



## STEP 3

### Attach Back Brace

A. You may find it easiest to attach the back brace and shelves by inverting the island. Attach the back brace with bastions to the right and left side assembly.

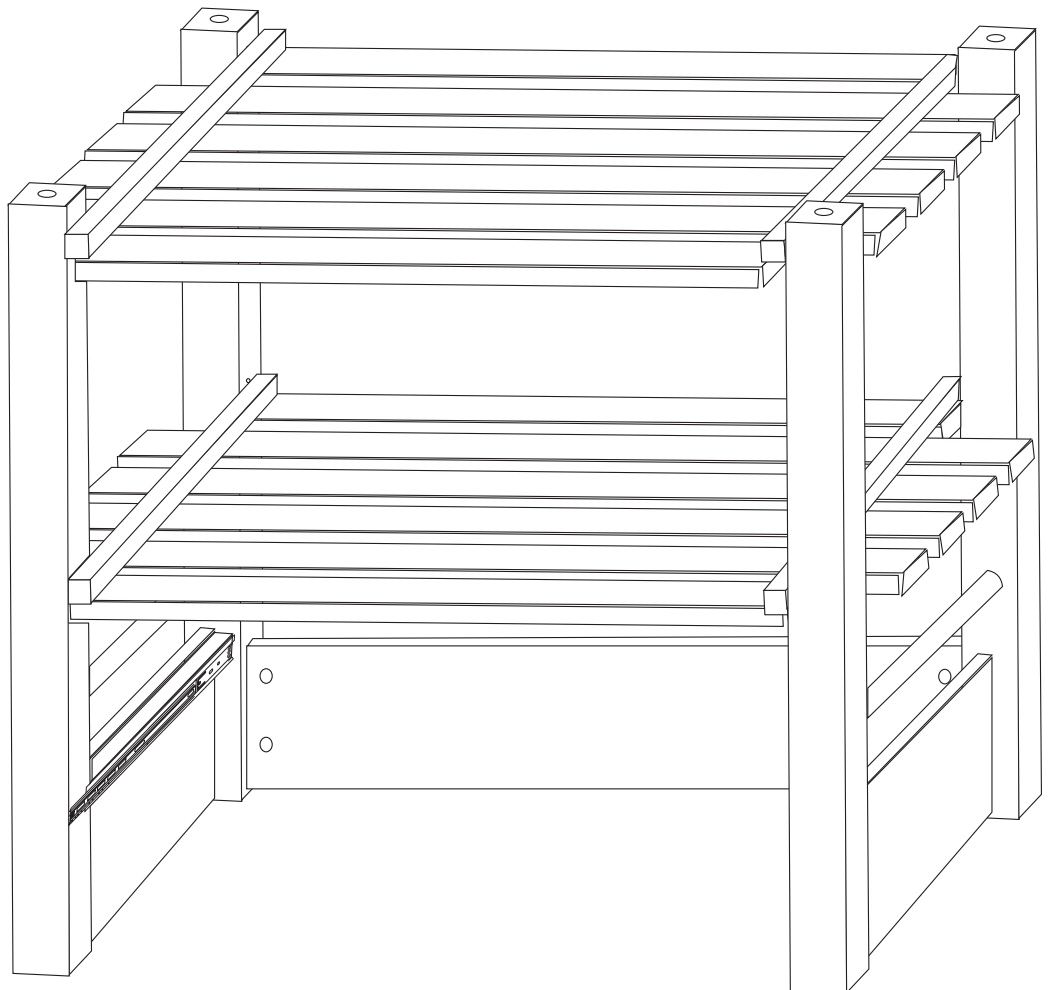


## STEP 4

### Attach Shelves

A. Decide which of the 3 height choices you want the middle shelf.

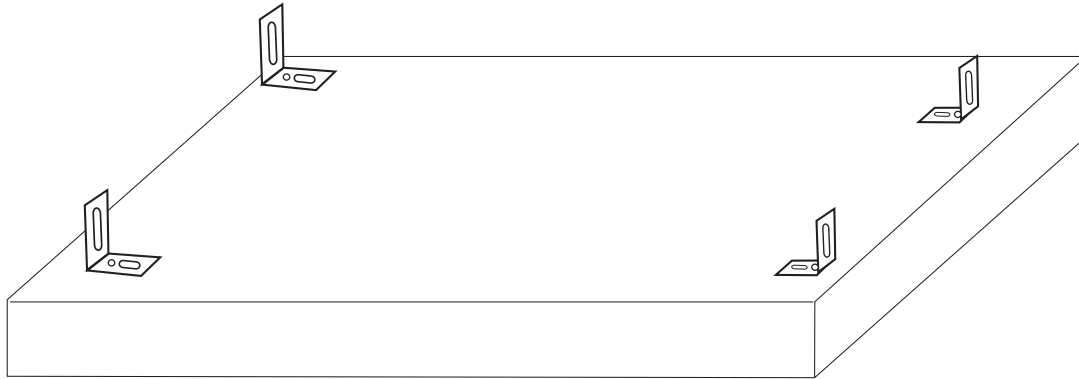
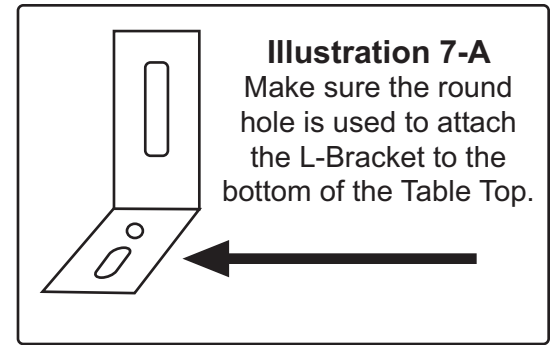
B. It is recommended to get a friend to help hold the shelves in place as you attach them using 1-1/4" #8 screws.



## STEP 5

### Table Top Preparation & Attaching

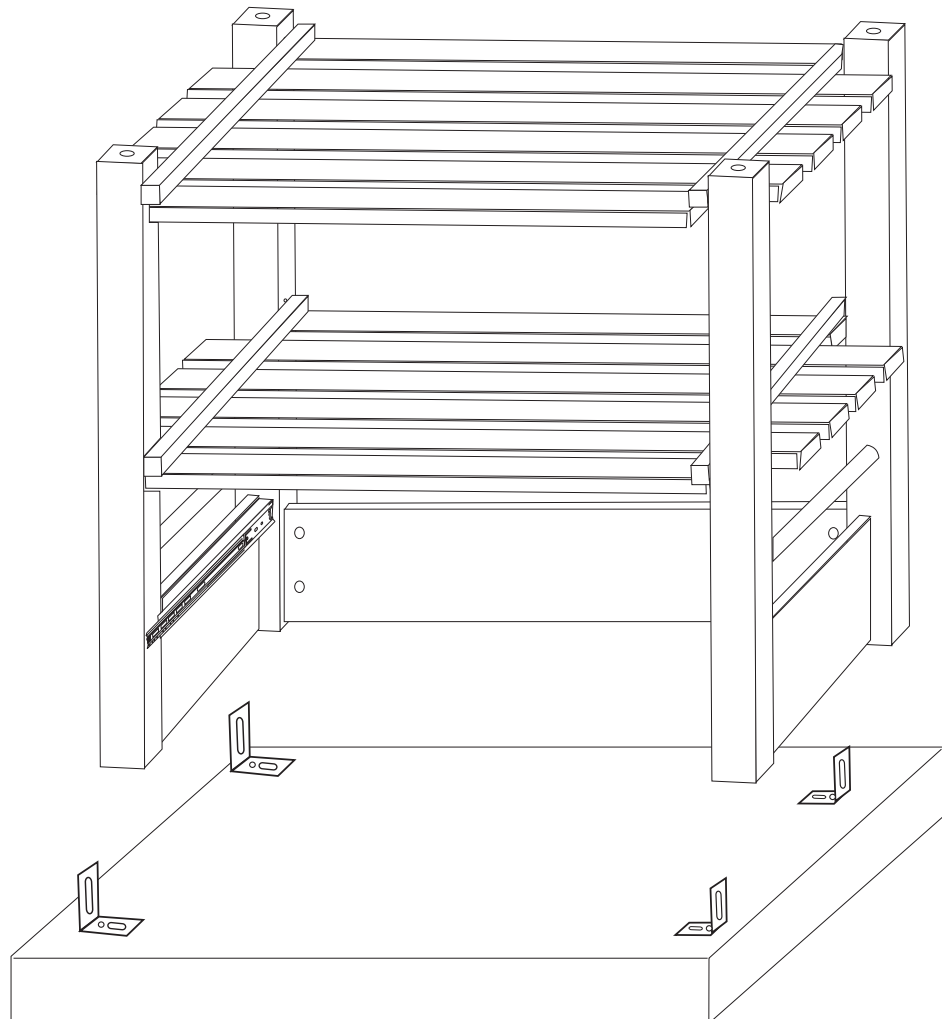
Attach four (4) “L” brackets to the bottom side of the table top **utilizing the inside set of holes** using 5/8” #6 screws. Note the proper position of the “L” brackets.



## STEP 6

### Attach Table Top

Utilizing the “L” brackets, attach the table top with 5/8” #6 screws.

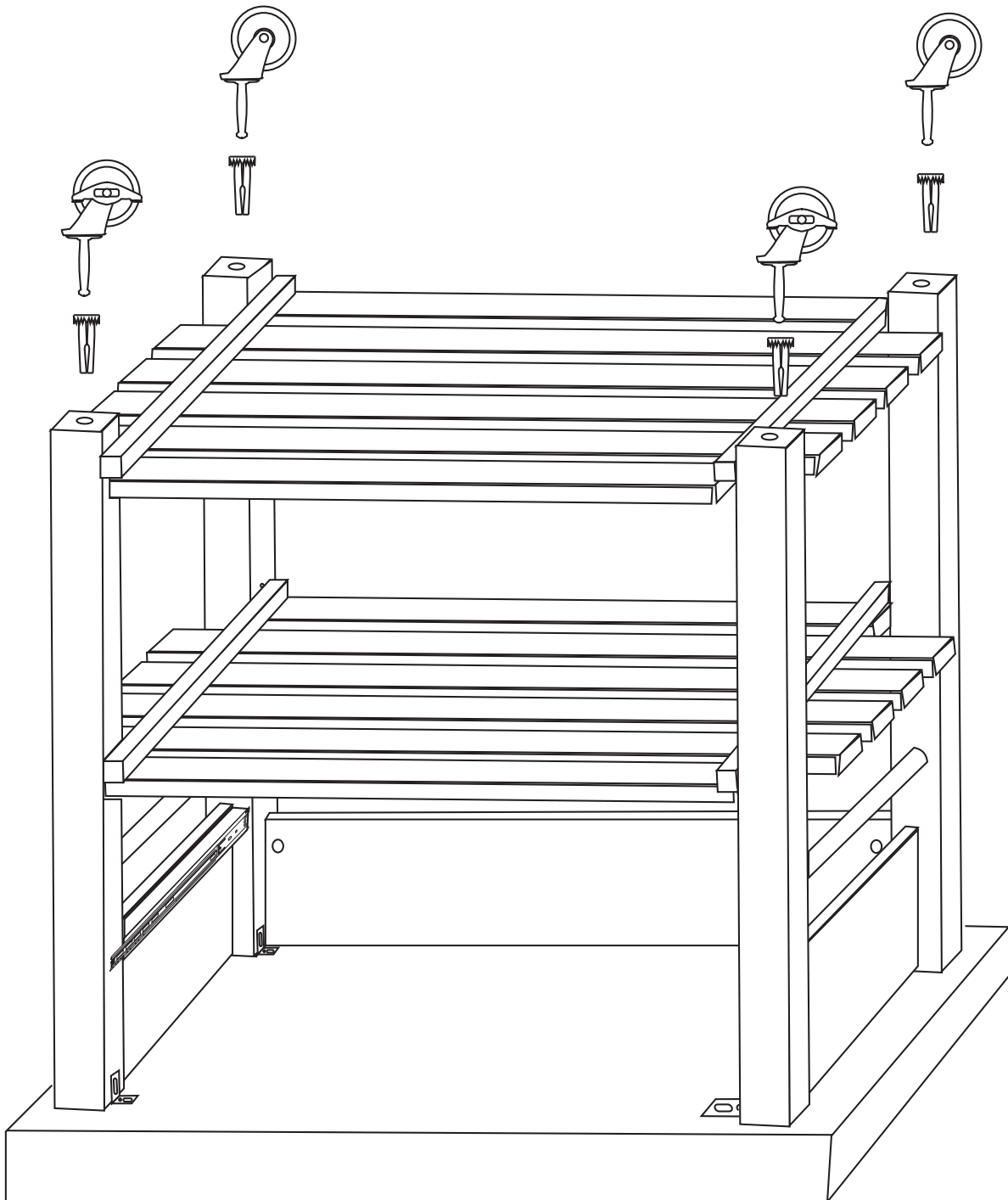




## STEP 7

### Insert Castors

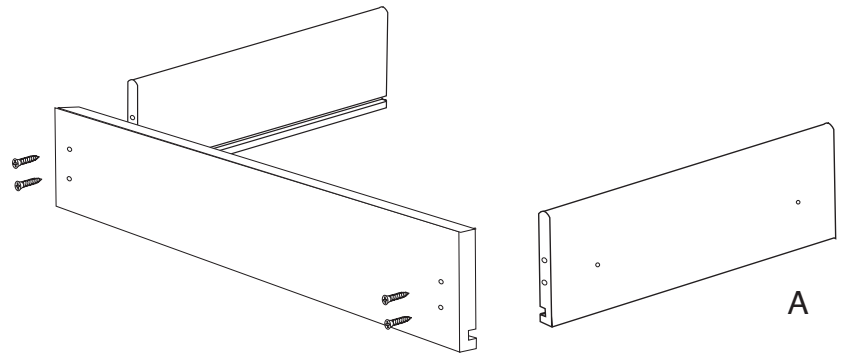
Lightly tap the castor holders into place. Do not pound flat, as the castor will not fit into place. Slide the castor into place tapping lightly with a hammer to guarantee proper insertion.



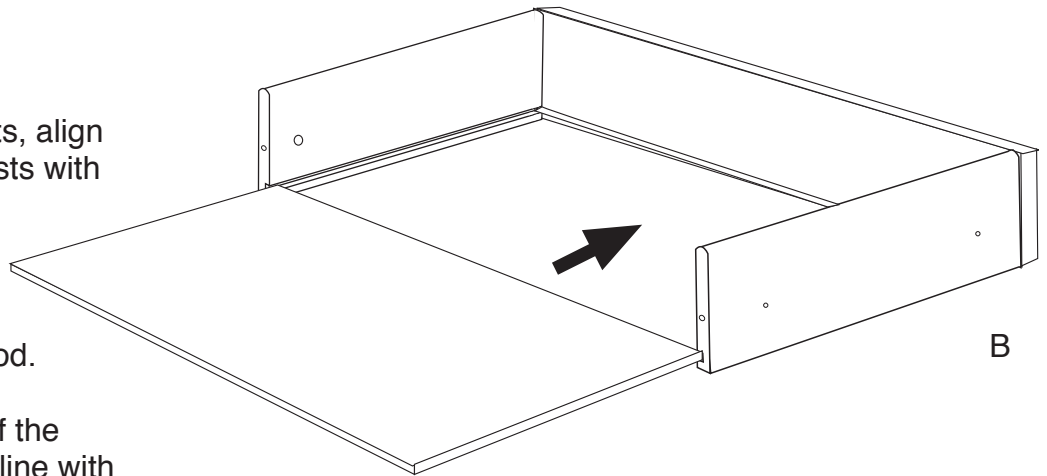
## STEP 8

### Assemble Drawer

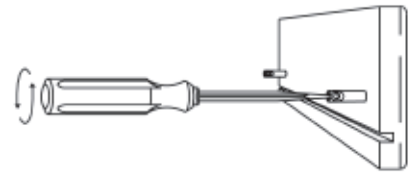
A. Attach the Drawer Back to the Left and Right Drawer Sides with four 1 ¼" #8 Screws. Make sure the slots that run the length of the Sides are aligned with the slot in the Drawer Back to accept the Drawer Bottom.



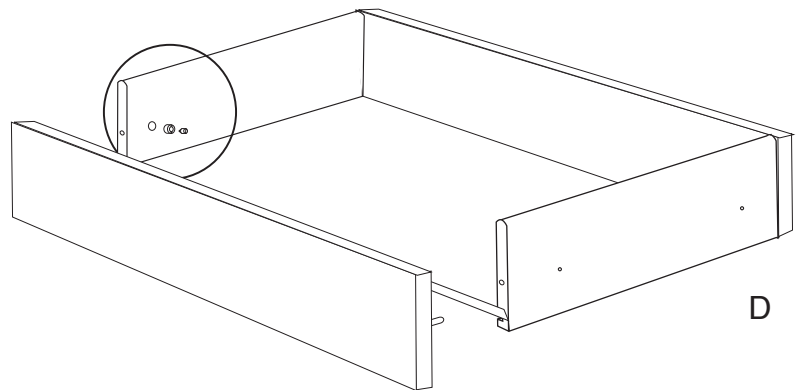
B. Slide in Drawer Bottom, best side up.



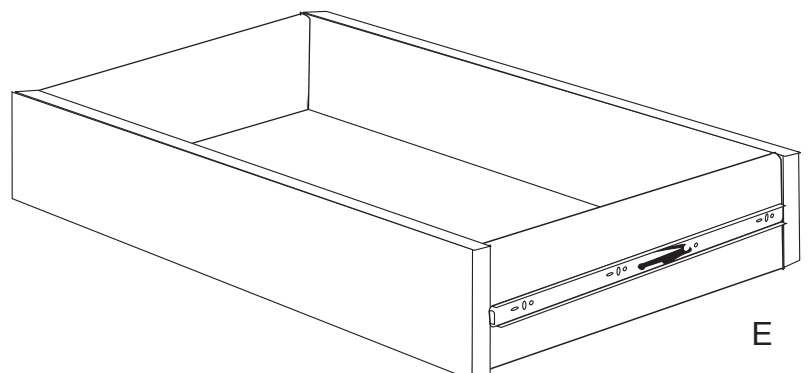
C. Take two (2) Bastion Posts, align the threaded ends of the Posts with the post holes located near the ends of the inside Drawer Front. Tighten Posts down until the solid shaft of the Post hits the wood. Back Post out until the hole/screwdriver slot in the end of the Post is parallel and in direct line with the long edges of the Drawer Front.



D. Insert the B-Nuts into the nut access holes on the inside of the Drawer Sides with the threaded end facing out. Take the Drawer Front and carefully insert the Posts into the ends of the Brace Sides, through the sides of the B-Nut until seated. Push Nut snugly against the wood in the nut access hole toward the Drawer Front. Hole should be slightly off-center toward the Drawer Front. Insert the Set Screw and tighten down. The Drawer Sides should be tight against the Drawer Front.



E. Attach the Drawer Glides (left and Right) to the Drawer Sides using two 7/16" #6 Pan Head Screws per glide. Open end of glide goes toward the back of the drawer. (DO NOT INSERT DRAWER INTO CABINET AT THIS TIME). Glide is almost flush with the back of the drawer front.



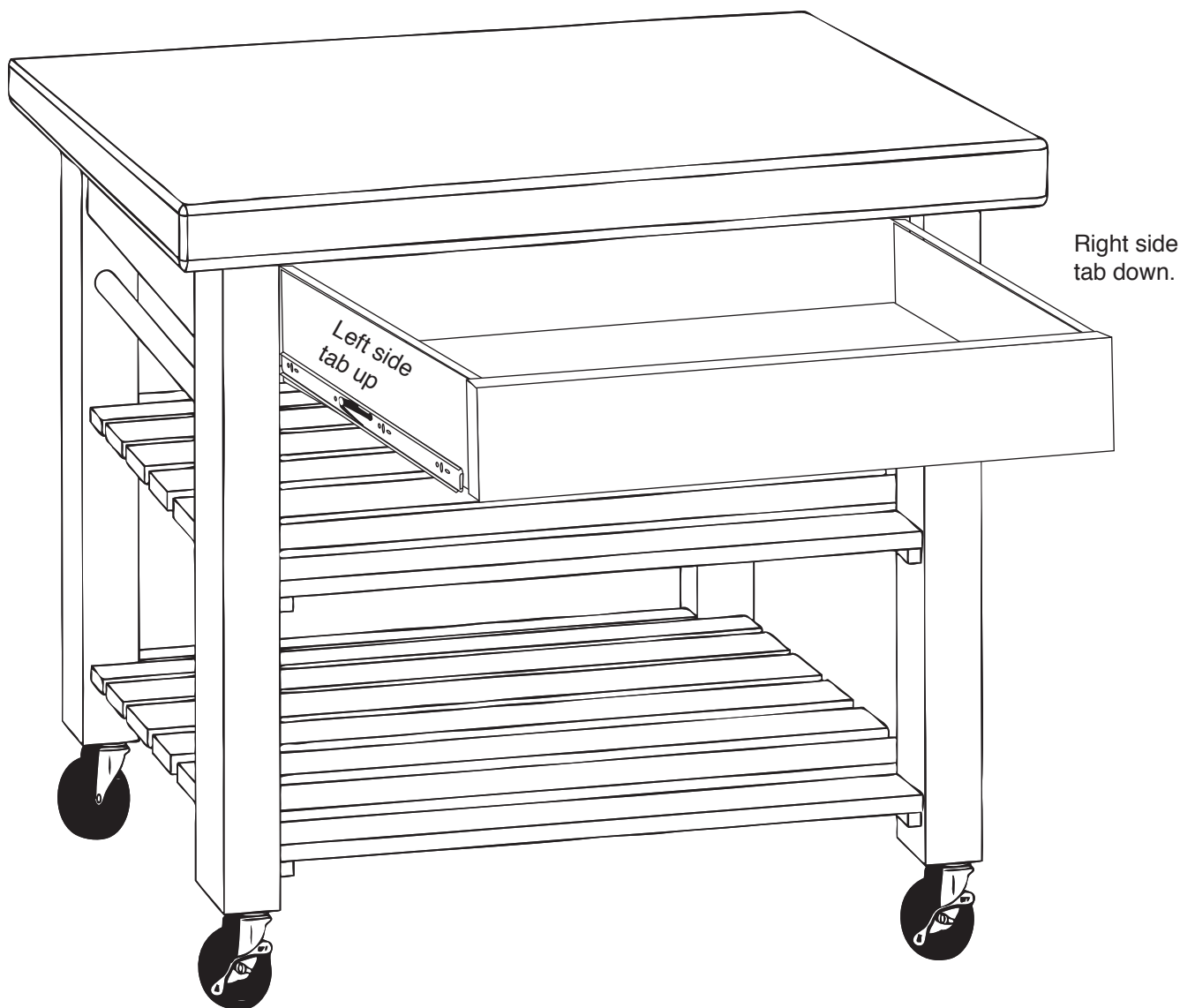
Note: The black plastic tabs will be up on the left side and down on the right side.

## STEP 9

### Insert Drawer

A. Slide the drawer all the way in until you hear an audible click. The drawer should now be secured to the glides. Don't be afraid to give the drawer a shove in to seat the glides.

Note: Before inserting the drawer glides into the cabinet glides, pull out the movable sections of the cabinet glides as far as possible, then insert the drawer glides into the ends of the extended cabinet glides and slowly close the drawer keeping both sides even.





For continued beauty and long life of your Catskill Craftsmen cart, we recommend Catskill Craftsmen's Butcher Block Oil.

Our Butcher Block Oil is available directly from Catskill Craftsmen's factory. For one eight ounce (8 fl. oz.) bottle, which is sufficient for two applications, simply send \$6.95 along with the completed coupon to the address below. Visit us online at [www.catskillcraftsmen.com](http://www.catskillcraftsmen.com) to browse our assortment of butcher block care products. Visa and Mastercard are accepted online.



Catskill Craftsmen, Inc.  
15 West End Ave.  
Stamford, NY 12167-1296



### BUTCHER BLOCK OIL COUPON

Please send me \_\_\_\_\_ # of bottle(s) of the Catskill Craftsmen Butcher Block Oil at \$6.95 per bottle. My check or money order is enclosed for a total of \$\_\_\_\_\_.

Item code: 1470

Name \_\_\_\_\_

Address \_\_\_\_\_

City \_\_\_\_\_

State \_\_\_\_\_ Zip \_\_\_\_\_

Please make checks payable to Catskill Craftsmen Inc. 15 West End Ave., Stamford, NY 12167-1296