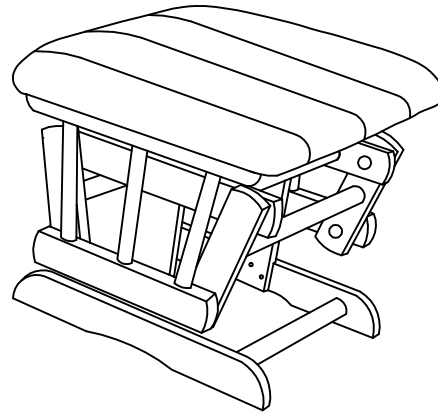
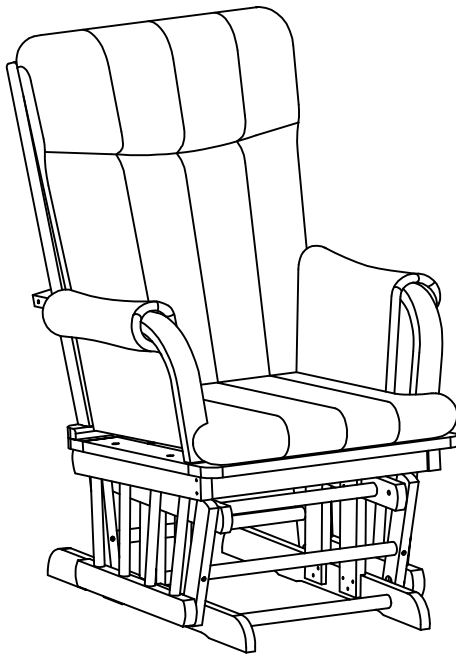


ASSEMBLY INSTRUCTIONS

Glider/Rocker with Ottoman

ITEM#:AF20203-MSR



WARNING ⚠ CAUTION

- 1.This product contains bolts and other small parts that may present a choking hazard for children 3 years or under.This unit must be assembled by an adult.
- 2.periodically check the safety of your product by making certain all bolts and nuts are tightened securely.

COMPONENT PARTS

A	1pc	B	1pc	C	2pcs
Back Frame		Base		armrests	
D	2pcs	E	1pc	F	1pc
Armrest Cushions		Back Cushion		Seat Cushion	

PARTS LIST

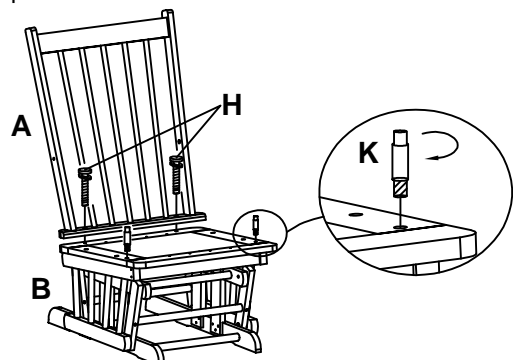
G	2pcs	H	2pcs	I	2pcs
WOODEN PLUGS		30mm SCREWS AND WASHERS		ALLEN KEY	
J	2pcs	K	2pcs	L	2pcs
METAL PLUGS		METAL ROD		45mm SCREWS AND WASHERS	

NOTE:

DO NOT TIGHTEN SCREWS UNTIL STEP 3.

STEP 1

Place the back frame (A) on the base(B) and align the holes in the back frame(A) with the holes on the base(B).Use the screw (H) in each of the two holes as shown and tighten with allen key (I),Put (K) into the seat top.

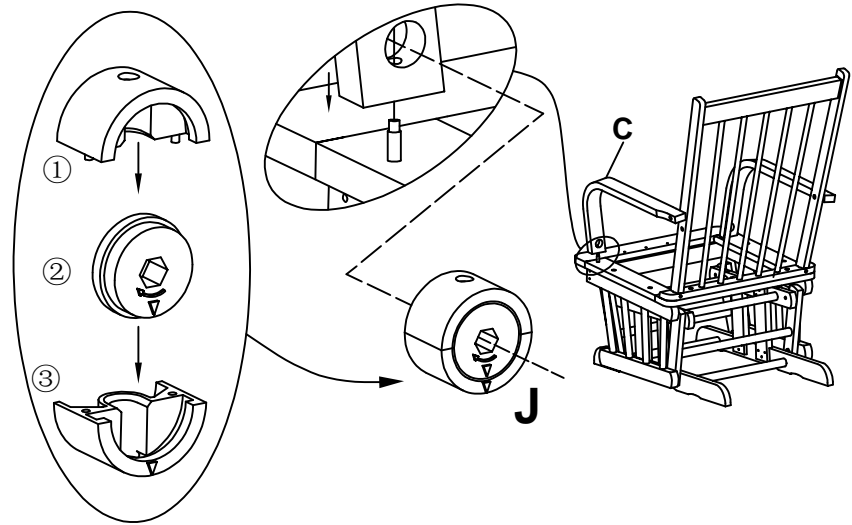


STEP 2

NOTE:

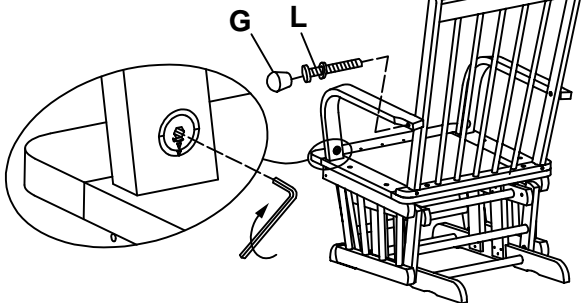
DO NOT TIGHTEN SCREWS
UNTIL STEP 3.

Assembly ①+②+③ to be (J), Put (J) into armrest(C) hole(the small hole is upward and big hole is downward, arrow down clearly shown arrow down), Insert armrest(C) into seat top connected by (K).



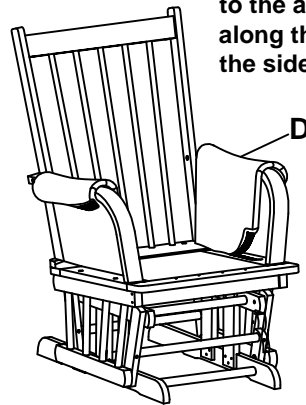
STEP 3

Use (I) tighten (J) . Also tighten (L), Which connect armrest(C) and back frame(A).
Cover the hole via wooden plugs(G) onto back frame(A).



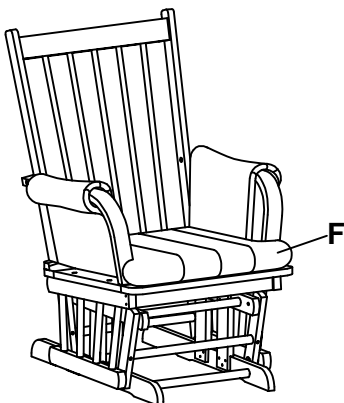
STEP 4

Attach the armrest cushions (D) to the armrest (C) by the velcro along the interior seat and on the sides.



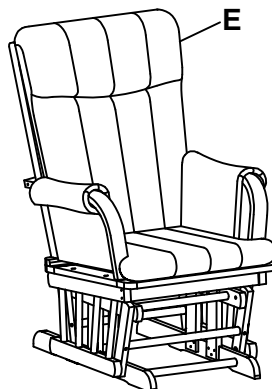
STEP 5

Attach the seat cushion (F).



STEP 6

Attach the back cushion (E) to the back frame (A).



STEP 7

Tie up the cushion onto backrest

