

EN FRONT LOAD WASHER

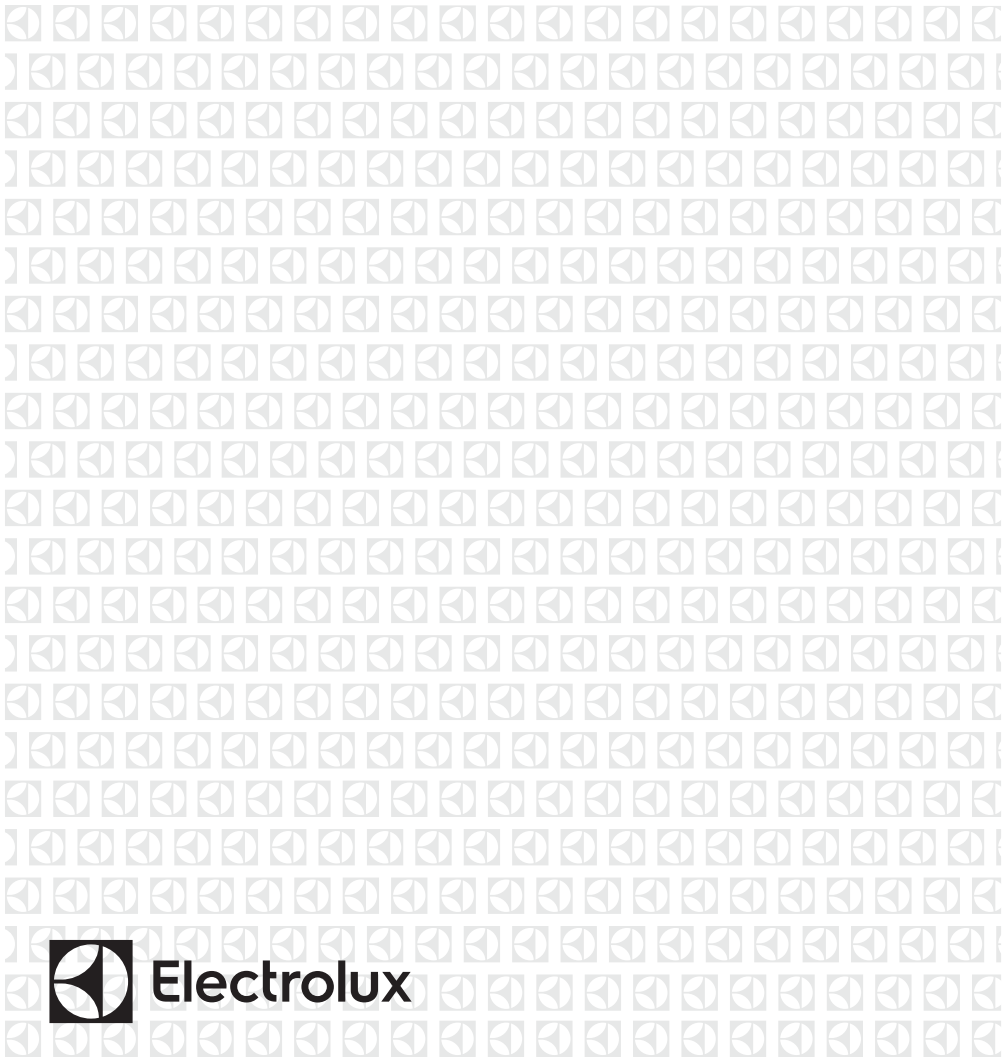
FR LAVEUSE À CHARGEMENT FRONTAL

ES LAVADORA DE CARGA FRONTAL

INSTALLATION INSTRUCTIONS

INSTRUCTIONS D'INSTALLATION

INSTRUCCIONES DE INSTALACIÓN



2 Important Safety Instructions



WARNING

For your safety the information in this manual must be followed to minimize the risk of fire or explosion or to prevent property damage, personal injury or loss of life. Do not store or use gasoline or other flammable vapors and liquids in the vicinity of this or any other appliance.

Safety Precautions

Do not attempt to install or operate your unit until you have read the safety precautions in this manual. Safety items throughout this manual are labeled with a Danger, Warning, or Caution based on the risk type.

Definitions



This is the safety alert symbol. It is used to alert you to potential personal injury hazards. Obey all safety messages that follow this symbol to avoid possible injury or death.



DANGER

DANGER indicates an imminently hazardous situation which, if not avoided, will result in death or serious injury.



WARNING

WARNING indicates a potentially hazardous situation which, if not avoided, could result in death or serious injury.



CAUTION

CAUTION indicates a potentially hazardous situation which, if not avoided, may result in minor or moderate injury.



IMPORTANT

Indicates installation, operation, or maintenance information which is important but not hazard-related.

Table of Contents

Important Safety Instructions	2
Installation Requirements	4
Unpacking Washer	8
Installation Instructions	10
Reversing Door	12
Options	15



WARNING

RISK OF FIRE

Read all the following instructions before installing and using this appliance.

- Dispose of the carton and plastic bags after the washer is unpacked. Children might use them for play. Cartons covered with rugs, bedspreads, or plastic sheets can become airtight chambers causing suffocation. Place all materials in a garbage container or make these materials inaccessible to children.
- For your safety the information in this manual must be followed to minimize the risk of fire or explosion or to prevent property damage, personal injury or loss of life. Do not store or use gasoline or other flammable vapors and liquids in the vicinity of this or any other appliance.
- Install the washer according to the manufacturer's instructions and local codes.
- The electrical service to the washer must conform with local codes and ordinances and the latest edition of the National Electrical Code, ANSI/NFPA 70, or in Canada, the Canadian Electrical Code CSA C22.1 part 1.
- To avoid back or other injury, have more than one person move or lift the washer.
- Do not stack a dryer on top of washer already installed on pedestal. Do not stack washer on top of dryer. Do not stack washer on top of another washer.
- The instructions in this manual and all other literature included with this washer are not meant to cover every possible condition and situation that may occur. Good safe practice and caution **MUST** be applied when installing, operating and maintaining any appliance.

SAVE THESE INSTRUCTIONS FOR FUTURE REFERENCE.

4 Installation Requirements

Please read and save this guide

Thank you for choosing Electrolux, the premium brand in home appliances. These Installation Instructions are part of our commitment to customer satisfaction and product quality throughout the life of your new appliance.

Questions?

Toll-free telephone and online support:

U.S.

1-877-4ELECTROLUX (1-877-435-3287)

www.electroluxappliances.com

Canada

1-800-265-8352

www.electroluxappliances.ca

Installation Checklist

Shipping Hardware

- Foam shipping support (under wash tub) removed and stored
- Shipping bolts and spacers removed from rear of appliance and stored
- Hole plugs (shipped in bag in drum) installed in holes in backsheet

Leveling

- Washer is level, side-to-side and front-to-back
- Cabinet is sitting solid on all corners

Water Supply

- Use only new hoses and verify rubber sealing washers are installed
- HOT supply is connected to HOT inlet and COLD supply is connected to COLD inlet
- HOT and COLD water supply turned on
- No leaks present at water supply connections or appliance inlet connections - recheck in 24 hours

Drain

- Stand pipe or wall drain height minimum 24"
- Verify anti-siphon disc is attached toward end of drain hose
- Drain hose secured in place with cable tie (shipped in drum)

Door Reversal

- Follow detailed instructions in this guide
- Test hinge and latch for function

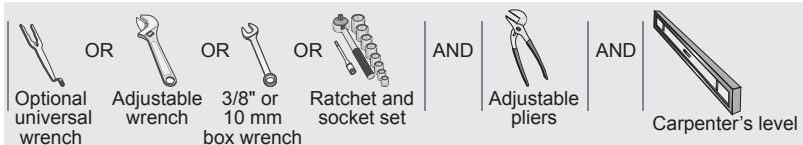
Electrical Power

- House power turned on
- Washer plugged in

Final Checks

- Installation Instructions and Use and Care Guide read thoroughly
- Door locks and water enters drum when cycle starts
- Registration card sent in

Tools and materials needed for installation:



Inlet Hose (x2)



NOTE

Hoses are not included with washer purchase. See "Accessories" section for various inlet hose kits to fit your specific installation.

Electrical system requirements

CIRCUIT - Individual, properly polarized and grounded 15 amp. branch circuit fused with 15 amp. time delay fuse or circuit breaker.

POWER SUPPLY - 2 wire, with ground, 120 volt single phase, 60 Hz, Alternating Current.



NOTE

Because of potentially inconsistent voltage capabilities, the use of this washer with power created by gas powered generators, solar powered generators, wind powered generators or any other generator other than the local utility company is not recommended.

OUTLET RECEPTACLE - Properly grounded 3-prong receptacle to be located so the power supply cord is accessible when the washer is in an installed position.



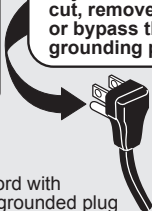
WARNING

Improper grounding of the washer may cause serious injury or death. Check with a licensed electrician if you are in doubt as to whether the appliance is properly grounded.

Grounding type wall receptacle



Do not, under any circumstances, cut, remove, or bypass the grounding prong.



Power cord with 3-prong grounded plug

Grounding requirements

1. The washer **MUST** be grounded. In the event of malfunction or breakdown, grounding will reduce the risk of electrical shock by a path of least resistance for electrical current.



WARNING

ELECTRICAL SHOCK HAZARD

Improper connection of the equipment grounding conductor can result in a risk of electrical shock. Check with a licensed electrician if you are in doubt as to whether the appliance is properly grounded.

2. Since your washer is equipped with a power supply cord having an equipment-grounding conductor and a grounding plug, the plug **MUST** be plugged into an appropriate, copper wired receptacle that is properly installed and grounded in accordance with all local codes and ordinances or in the absence of local codes, with the National Electrical Codes, ANSI/NFPA 70 (latest edition), or in Canada, the Canadian electrical code C22.1 part 1. If in doubt, call a licensed electrician. **DO NOT** cut off or alter the grounding prong on the power supply cord. In situations where a two-slot receptacle is present, it is the owner's responsibility to have a licensed electrician replace it with a properly grounded three prong grounding type receptacle.

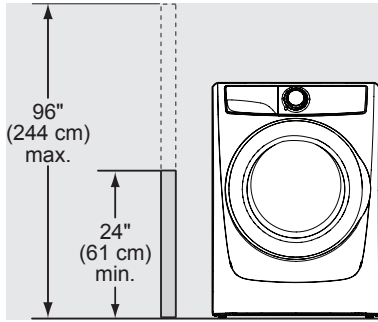
Water supply requirements

Hot and cold water faucets **MUST** be installed within hose length of your washer's water inlet. The faucets **MUST** be 3/4 inch (1.9 cm) with threading for laundry hose connection. Water pressure **MUST** be between 20 and 120 psi. Pressure difference between hot and cold cannot be more than 10 psi. Your water department can advise you of your water pressure.

Drain system requirements

1. Drain capable of eliminating 17 gals (64.3 L) per minute.
2. A standpipe diameter of 1-1/4 in. (3.18 cm) minimum.
3. The standpipe height above the floor :
Minimum height: 24 in. (61 cm)
Maximum height: 96 in. (244 cm).

6 Installation Requirements



NOTE

Drain hose length is 59 in. (150 cm). For installations requiring a longer drain hose, use hose P/N 137098000, available from an authorized parts distributor.

Clearance requirements

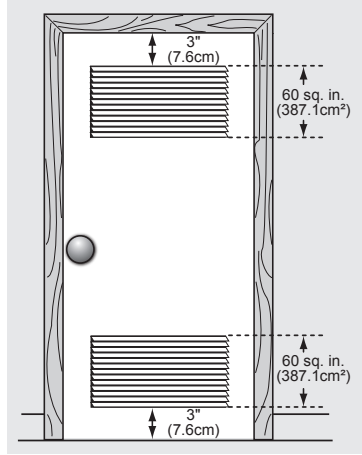
IMPORTANT

DO NOT INSTALL YOUR WASHER:

1. In an area exposed to dripping water or outside weather conditions.
2. In an area where gasoline or other flammables are kept or stored. If the washer is installed in a garage, it must be a minimum of 18 inches (45.7 cm) above the floor.
3. On carpet. Floor **MUST** be solid with a maximum slope of 1 inch (2.5 cm). To minimize vibration or movement, reinforcement of the floor may be necessary.

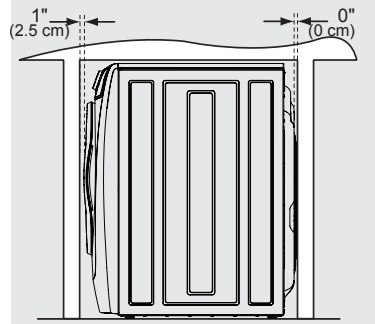
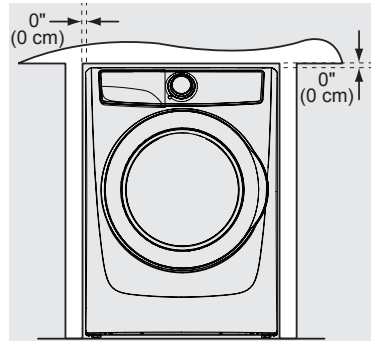
Installation in a recess or closet

If washer and dryer are installed in the same closet, door ventilation is required: A minimum of 120 square inches (774.2 cm²) of opening, equally divided at the top and bottom of the door, is required. Louvered openings should be located 3 inches (7.6 cm) from bottom and top of door. Air openings are required to be unobstructed when a door is installed. A louvered door with equivalent air openings for the full length of the door is acceptable.

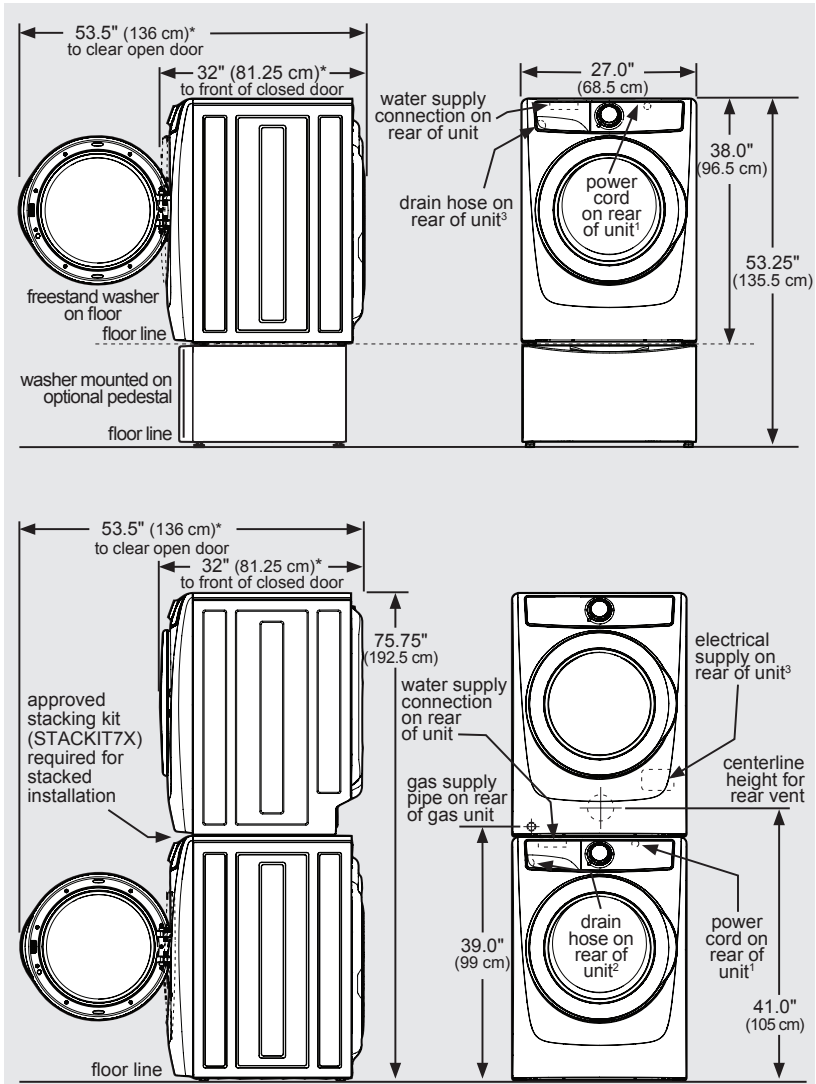


closet door

MINIMUM INSTALLATION CLEARANCES -				
	Inches (cm)			
	SIDES	REAR	TOP	FRONT
Alcove	0" (0 cm)	0" (0 cm)	0" (0 cm)	n/a
Under-Counter	0" (0 cm)	0" (0 cm)	0" (0 cm)	n/a
Closet	0" (0 cm)	0" (0 cm)	0" (0 cm)	1" (2.5 cm)



Washer dimensions



*Connection of water inlet hose on steam dryer adds 3/4 in. (2 cm) to installation depth.

¹Power supply cord length on washer approximately 60 inches (152.5 cm).

²Drain hose length on washer approximately 59 inches (150 cm).

³Power supply cord length on gas dryer or electric Canadian dryer approximately 60 inches (152.5 cm).

8 Unpacking Washer

Removing foam packaging

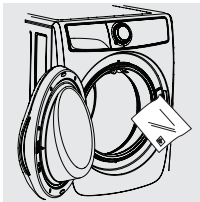


WARNING

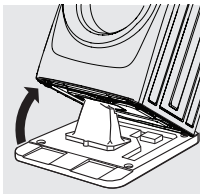
SUFFOCATION HAZARD

Dispose of the carton and plastic bags after the washer is unpacked. Children might use them for play. Cartons covered with rugs, bedspreads, or plastic sheets can become airtight chambers causing suffocation. Place all materials in a garbage container or make materials inaccessible to children.

1. Temporarily remove door tape.
2. Open washer door and remove everything from the drum.
3. Close door and reapply door tape.



4. Using a rug, blanket or piece of cardboard to protect the floor, carefully lay the washer on its back.



IMPORTANT

DO NOT place the washer onto its back without the shipping bolts.

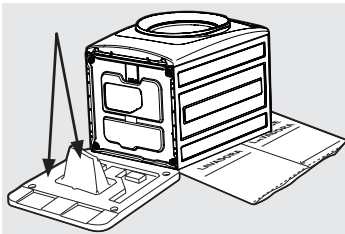


CAUTION

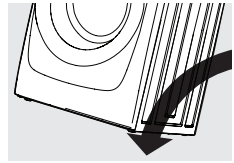
EXCESSIVE WEIGHT HAZARD

To avoid back or other injury, have more than one person move or lift the washer.

5. Remove styrofoam base and shipping plug and set them aside.



6. Carefully return the washer to an upright position.



7. Carefully move the washer to within 4 feet (1 m) of its final location.



WARNING

ELECTRIC SHOCK HAZARD

Certain internal parts are intentionally not grounded and may present a risk of electrical shock if contacted during installation.

Do not contact the following parts while the appliance is energized

- Pump
- Drive motor
- Electrical control boards
- Water valves



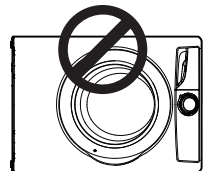
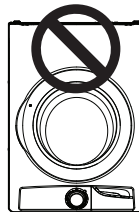
IMPORTANT

Save styrofoam base and shipping plug for use to help prevent washer damage during any future moves.



IMPORTANT

DO NOT tip washer upside down onto its top or onto its right side for any reason.



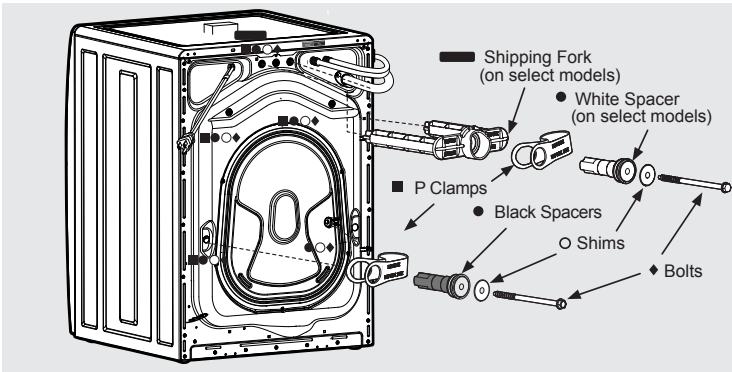
Removing shipping hardware



IMPORTANT

Failure to remove shipping hardware completely could result in damage to the appliance, damage to your home, or unexpected washing results.

Save all shipping bolts and spacers for future use. If the washer is to be transported at a later date, the shipping hardware must be reinstalled to help prevent shipping damage



For 300 Series:

Remove all of the following:

- ◆ 4 BOLTS
- 4 SHIMS
- 4 BLACK SPACERS
- 3 P CLAMPS

For 400, 500, and 600 Series:

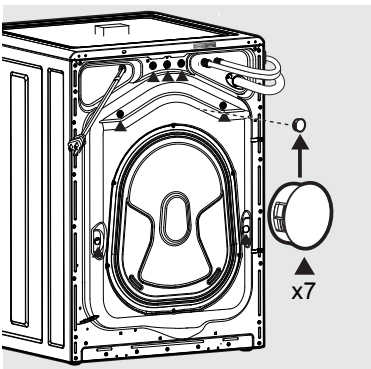
Remove all of the following:

- ◆ 5 BOLTS
- 5 SHIMS
- 4 BLACK SPACERS
- 4 P CLAMPS
- 1 WHITE SPACER
- 1 SHIPPING FORK



NOTE

Rubber expansion material on spacers may need time to relax before they can be easily pulled through shipping hole.



Installing hole plugs

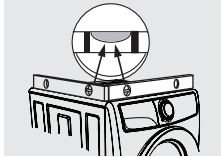
Locate hole plugs in the small bag supplied with washer instruction guides. Insert them in the holes in the washer back panel where the shipping hardware has been removed.

10 Installation Instructions

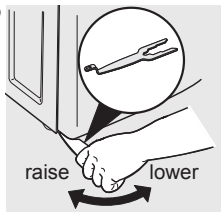
Leveling your washer

Excessive noise and vibration can be prevented by properly leveling the washer.

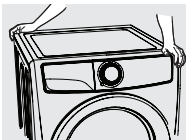
1. For free standing installation and with the washer within 4 feet (1 m) of its final location, place a level on top of the washer.



2. Use the universal wrench to adjust the leveling legs so the washer is level front-to-rear and side-to-side, and stable corner-to-corner.



3. Press down on alternate corners and sides and feel for the slightest movement. Adjust the appropriate leg(s) so the washer sits solidly on the floor on ALL four legs. Keep the leveling leg extension at a minimum for best performance of the washer.

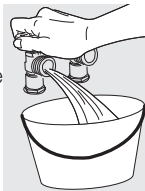


NOTE

For pedestal installations, see additional installation instructions included with the pedestal.

Connecting inlet water

1. Run some water from the hot and cold faucets to flush the water lines and remove particles that might clog the water valve screens and to determine which faucet is hot and which is cold supply.



2. Check to ensure that the inlet hoses have the rubber washer firmly in place.



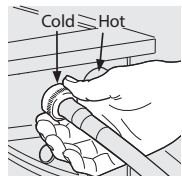
Rubber Washers Must Be Present

USE ONLY NEW HOSES

NOTE

Hoses are not included with washer purchase. See "Accessories" section for various inlet hose kits to fit your specific installation.

3. Connect the HOT inlet hose to the HOT inlet connection on the washer and the COLD inlet hose to the COLD inlet connection on the washer.

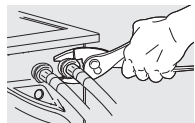


Cold inlet shown on left side (select models only)

IMPORTANT

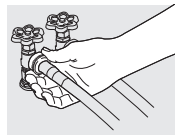
The cold water inlet will have a blue cap cover on the inlet connection and the hot water inlet will have a red cap cover on the inlet connection. Additionally, depending on the model, the hot and cold inlet connections will be marked with either an adhesive label or markings directly on the unit to indicate which side is cold and which side is hot.

Tighten by hand until snug. Then tighten each supply connection another 2/3 turn with pliers.

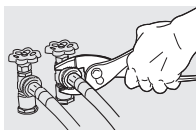


Do not cross thread or over-tighten these connections.

4. Connect the HOT inlet hose to the HOT water supply and the COLD inlet hose to the COLD water supply.

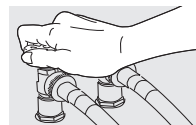


- Tighten by hand until snug. Then tighten each supply connection another 2/3 turn with pliers.



Do not bend, kink or pinch water inlet hoses.

- Turn on the water and check for leaks.

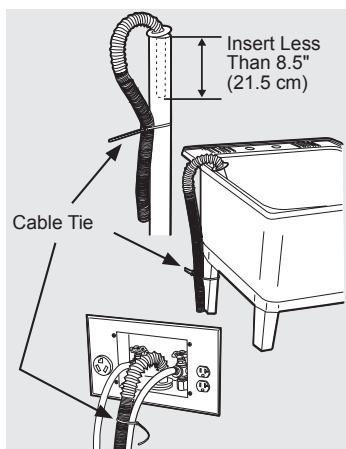


Connecting drain and electrical

- Verify the anti-siphon disc is in place.



- Form a "U" shape on the end of the drain hose with the hose pointed toward the drain. Place the formed end in a laundry tub or a standpipe and secure the drain hose with the cable tie (provided in the enclosure package) to the standpipe, inlet hose, laundry tub, etc. so the hose does not pull out from the force of the water.



NOTE

The standpipe inside diameter must be 1-1/4" (3.2 cm) minimum. There must be an air gap around the drain hose in the standpipe. A snug hose fit can cause a siphoning action.

IMPORTANT

Check to ensure the power is off at a circuit breaker/fuse box before plugging the power cord into an outlet.

- Plug the power cord into a grounded outlet.

WARNING

ELECTRICAL SHOCK HAZARD

Improper connection of the equipment grounding conductor can cause an electrical shock that may result in serious injury or death. Check with a licensed electrician if you are in doubt as to whether the appliance is properly grounded.

See *Electrical System Requirements and Grounding Requirements* sections of this instruction for additional information.

- Turn on the power at a circuit breaker/fuse box.
- Carefully slide the washer to its final position. Recheck for level and rock corners for stability. See "**Leveling your washer**" section. Remove and discard door tape.
- Read the Use & Care Guide provided with the washer. It contains valuable and helpful information that will save you time and money.
- Run the washer through a complete cycle, checking for water leaks and proper operation.
- If you have any questions during initial operation, please review the "Service Prevention Checklist" in your Use & Care Guide before calling for service.
- Place these instructions in a location near the washer for future reference.

NOTE

A wiring diagram and technical data sheet are located under the washer top panel, on top of the detergent dispenser housing.

12 Reversing Door



NOTE

Door reversibility is available only on 500, or 600 series models.



IMPORTANT

BEFORE YOU REVERSE WASHER DOOR:

1. Be sure you have adequate swing area before reversing door.
2. Gather your tools - including a screw driver with a #2 square bit and plastic knife (or small, flat prying tool that won't damage paint).
3. Protect flat work surface, such as top of washer or floor near washer, with a soft cloth or towel.
4. Be sure washer is unplugged from power source!

Tools needed for reversal:



Screwdriver with #2 square bit



Plastic knife



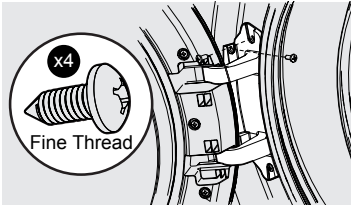
WARNING

ELECTRICAL SHOCK HAZARD

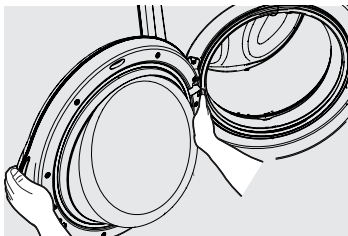
Failure to disconnect power source before servicing could result in personal injury or even death.

Removing Door Assembly

1. Completely open the door to expose all four hinge screws.
2. Remove all four hinge screws with #2 square bit driver. Save for reinstalling later.



3. Hold the door with one hand supporting the handle area and one hand supporting the hinge. While supporting the door at the hinge, press firmly with the other hand until the locating pins on the back of the hinge plate dislocate from the front panel.

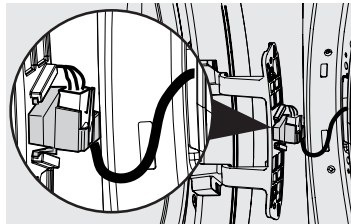


4. While supporting the door with one hand, pinch the tabs to release the plastic terminal cap from the hinge plate.



IMPORTANT

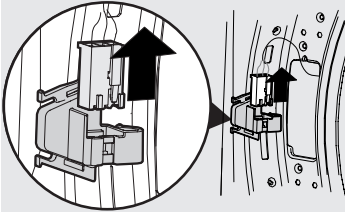
Take care not to pull the door away from the washer until you remove the wiring harness terminal cap.



5. Set the door face down on a flat surface protected by soft cloth or towel.

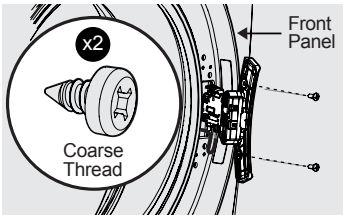
Removing Door Assembly, continued

- Release wiring harness from retainer on plastic terminal cap. Then release terminal from terminal cap. Save the cap to reinstall later.

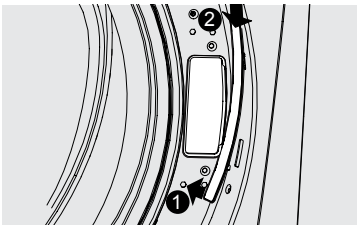


Removing Door Lock and Plastic Hole Cover

- Locate and remove both screws from door lock. Save screws for later.
- Rotate the lock as you pull it out through the front panel. Take care not to pull too hard or too far as the lock is still attached to the wiring harness.

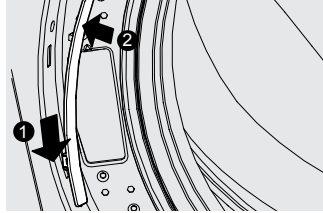


- Disconnect the wiring harness terminal from the door lock. Set the door lock aside for reinstallation later.
- Pry the bottom of the plastic hole cover upward to release it from the front panel. You may have to use a non-scratching plastic knife if you are unable to release it manually. Then, slide the cover down slightly and remove it from the front panel.

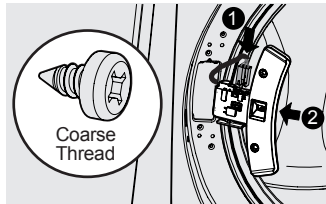


Reinstalling Door Lock and Hole Cover

- Move the plastic cover to the other side of the front panel. Position the cover so the "hook" is at the bottom. Insert hook into lower slot, slide the cover down, and press upper retention tabs into opening until they snap into place.

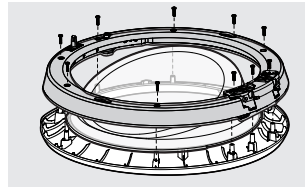


- Insert wiring harness into door lock.
- Insert door lock into front panel and reinstall door lock screws.

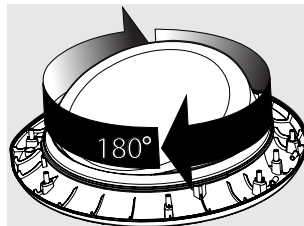


Reversing Door Assembly

- Locate nine screws on inner door ring. Remove each and save for reinstallation later. Remove inner door (with hinge) and carefully set aside.



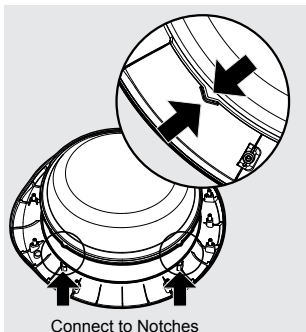
- Lift door glass slightly and rotate 180 degrees, setting it back onto outer door.



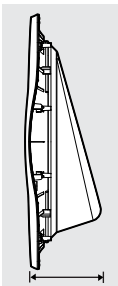
14 Reversing Door

Reversing Door Assembly, continued

3. Make sure the alignment tabs reengage.

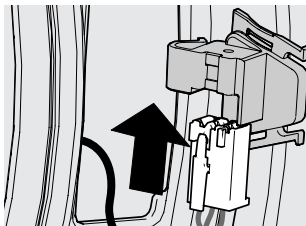


4. Reattach the inner door to the outer door using the nine screws removed earlier. See illustration, Step 1.
5. Check to verify that the scoop (wider section) of the door glass is situated at the BOTTOM of the door.

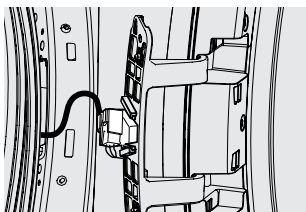


Reinstalling Door Assembly

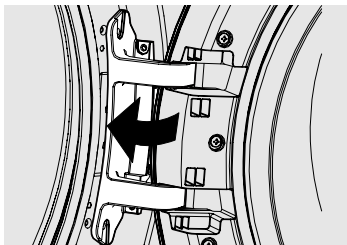
1. Insert the wiring harness terminal into the terminal cap and wrap the harness into the harness retainer.



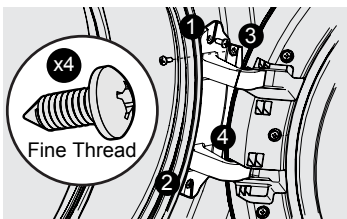
2. Slide terminal cap onto back of hinge plate until tabs snap into place.



3. Insert hinge locating pins into the hole that were previously covered by the plastic hole cover. Press on the face of the hinge to snap the other locating pins into place.

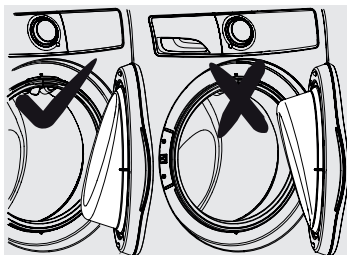


4. Reinstall all four screws removed earlier - two front screws first, then two side screws.



Verify Reversed Door Operation

1. Test door for free, smooth swinging operation and secure latching when closed.
2. Verify inner door glass is in the correct orientation with the "scoop" at the bottom.



3. Plug in washer and close the door. Test correct door lock operation by starting a test cycle: lock should engage, and door should not be able to be opened until cycle is paused or canceled.

Accessories

MATCHING STORAGE PEDESTAL*

White Pedestal - P/N EPWD257UIW

Titanium Pedestal - P/N EPWD257UTT

A storage pedestal accessory, specifically designed for this washer may be used to elevate the washer for ease of use. This pedestal will add about 15" (38 cm) to the height of your unit.

*Other colors may be available. Contact the source where you purchased your washer.

DRYER STACKING KIT

P/N STACKIT7X

Depending on the model purchased, a kit for stacking a matching dryer on top of this washer may have been included in the initial purchase of your dryer. If your model did not include a stacking kit or you desire another stacking kit, you may order one.

INLET HOSE KITS

Please call 866-233-8353 (in Canada, 800-265-8352) to explore hose kit options that will meet your specific installation needs.

DRAIN HOSE EXTENSION KIT

P/N 137098000

In order to reach standpipe heights or distances beyond the reach of the drain hose supplied, order the Drain Hose Extension Kit.

UNIVERSAL APPLIANCE WRENCH

P/N 137019200

A Universal Appliance Wrench is available to aid in dryer/washer/pedestal feet adjustment.

TOUCH UP PAINT PENS*

White - P/N 5304468812

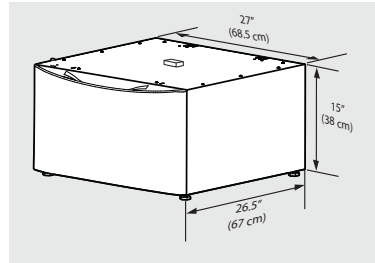
Titanium - P/N 5304475700

*Other colors may be available. Contact the source where you purchased your washer.

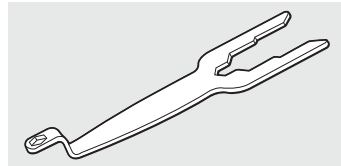


CAUTION

Failure to use accessories manufactured by (or approved by) the manufacturer could result in personal injury, property damage or damage to the washer.



Storage Pedestal

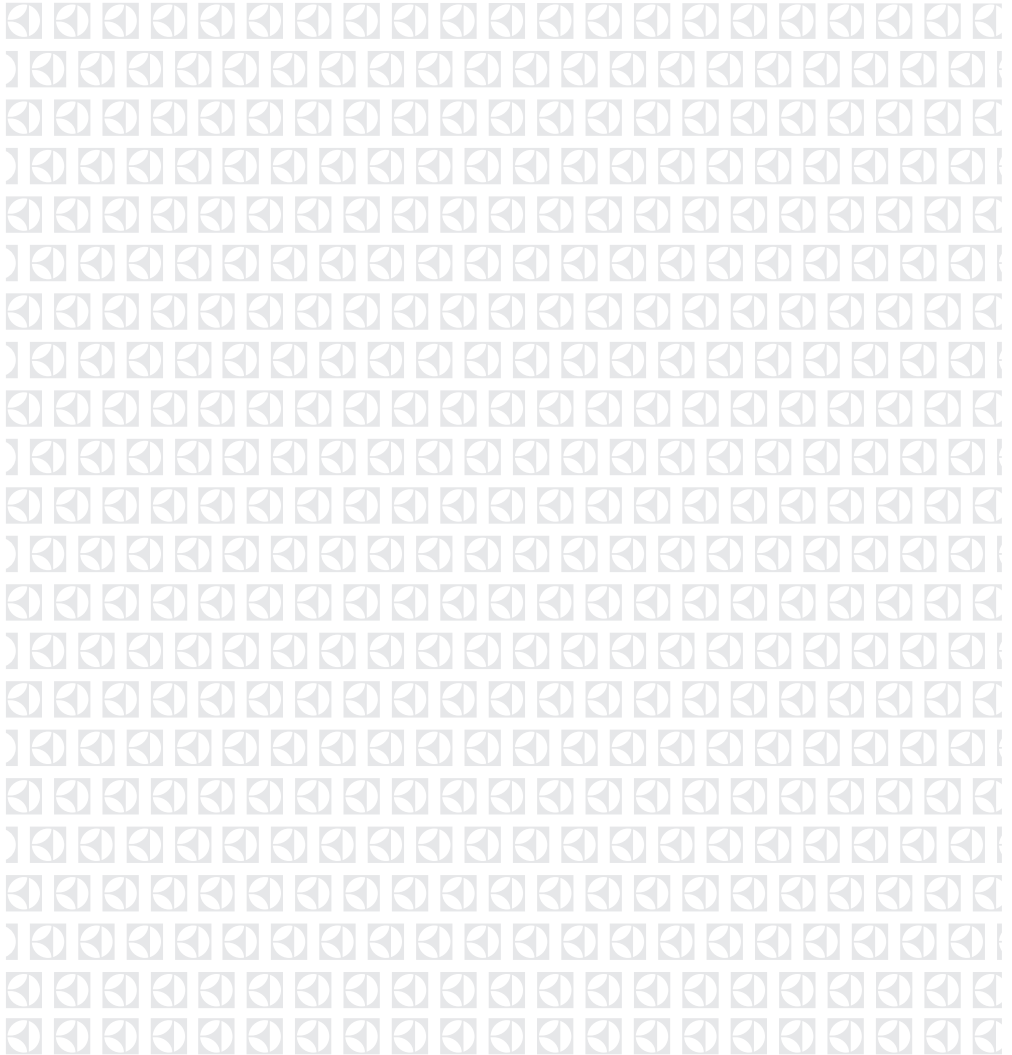


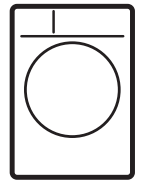
Universal Appliance Wrench

Replacement parts in U.S. and Canada:

If replacements parts are needed for your dryer, you can contact the source where you purchased your dryer, call 1-877-4ELECTROLUX (1-877-435-3287) in the U.S. or 1-800-265-8352 in Canada, or visit our website, www.electroluxappliances.com in the U.S. or www.electroluxappliances.ca in Canada for the Electrolux Authorized Parts Distributor nearest you.

electrolux.com/shop





EN FRONT LOAD WASHER

FR LAVEUSE À CHARGEMENT FRONTAL

ES LAVADORA DE CARGA FRONTAL

INSTALLATION INSTRUCTIONS

INSTRUCTIONS D'INSTALLATION

INSTRUCCIONES DE INSTALACIÓN



2 Consignes de sécurité importantes




AVERTISSEMENT

Pour votre sécurité, les informations contenues dans le présent Guide doivent être suivies afin de minimiser les risques d'incendie ou d'explosion ou pour prévenir tout dommage, dégât, blessure ou perte de vie. Ne pas entreposer ni utiliser de la gasoline ou tout autre liquide ou vapeur inflammable à proximité de tout appareil y compris celui-ci.

Précautions de sécurité

Ne pas tenter d'installer ou d'utiliser l'appareil avant d'avoir lu toutes les mesures de sécurité dans le présent manuel. Les mesures de sécurité présentées dans ce guide sont identifiées par les mots DANGER, AVERTISSEMENT ou MISE EN GARDE selon le type de risque.

Définitions

 Voici le symbole d'alerte de sécurité. Il vous avertit lorsqu'il y a des risques potentiels. Observer tous les messages de sécurité qui accompagnent ce symbole pour éviter toute possibilité de blessures graves ou la mort.



DANGER

DANGER indique une situation de danger imminent qui, si elle n'est pas évitée, entraînera des blessures graves, voire la mort.



AVERTISSEMENT

AVERTISSEMENT indique une situation qui, si elle n'est pas évitée, pourrait entraîner des blessures graves, voire la mort.



ATTENTION

MISE EN GARDE indique une situation potentiellement dangereuse qui, si elle n'est pas évitée, pourrait causer des blessures mineures ou modérées.



IMPORTANT

Indique des informations concernant l'installation, l'emploi ou l'entretien qui sont importantes, sans être reliées au danger.

Table des matières

Consignes de sécurité importantes.....	2
Conditions d'installation.....	4
Déballage de l'appareil	8
Instructions d'installation.....	10
Porte réversible.....	12
Options	15



AVERTISSEMENT RISQUE D'INCENDIE

Lire toutes les instructions avant d'installer et d'utiliser cet appareil.

- Détruire le carton d'emballage et les sacs en plastique après avoir déballé l'appareil. Les enfants pourraient les utiliser pour jouer. Les cartons recouverts de tapis, couvertes ou draps de plastique peuvent se transformer en chambres étanches à l'air. Placer tous les matériaux dans une poubelle ou rendre les matériaux inaccessibles aux enfants.
- Pour votre sécurité, les informations contenues dans le présent Guide doivent être suivies afin de minimiser les risques d'incendie ou d'explosion ou pour prévenir tout dommage, dégât, blessure ou perte de vie. Ne pas entreposer ni utiliser de la gasoline ou tout autre liquide ou vapeur inflammable à proximité de tout appareil y compris celui-ci.
- Installer la laveuse selon les instructions du fabricant et les règlements locaux.
- L'alimentation électrique à la laveuse doit être conforme aux règlements locaux ainsi qu'à la dernière édition du Code canadien de l'électricité ANSI/NFPA 70.
- Afin d'éviter toute blessure de dos ou autre, s'assurer d'avoir au moins deux personnes pour déplacer ou soulever la laveuse.
- Ne pas superposer une sècheuse sur une laveuse qui possède déjà son socle. Ne pas superposer la laveuse sur la sècheuse. Ne pas superposer la laveuse sur une autre laveuse.
- Les instructions dans le présent manuel et tous les autres documents inclus avec cet appareil ne sont conçues pour couvrir toutes les conditions ou situations possibles qui pourraient se produire. Le bon sens et la prudence DOIVENT être exercés lors de l'installation, de l'emploi et de l'entretien de tout électroménager.

**CONSERVER CES INSTRUCTIONS
POUR RÉFÉRENCE FUTURE.**

4 Conditions d'installation

Veillez lire et conserver ce guide

Merci d'avoir choisi Electrolux, la marque de qualité en matière d'électroménagers. Ces instructions d'installation font partie de notre engagement à vous satisfaire et à vous fournir un produit de qualité pendant toute la durée de vie de votre nouvel appareil.

Des questions ?

Pour l'assistance aux États-Unis et au Canada :
États-Unis
1-877-4ELECTROLUX (1-877-435-3287)
www.electroluxappliances.com
Canada
1-800-265-8352
www.electroluxappliances.ca

Liste de vérification de l'installation

Quincaillerie de transport

- Support de transport en styromousse (sous la cuve de lavage) retiré et entreposé
- Boulons et entretoises de transport retirés de l'arrière de l'appareil et entreposés
- Bouchons (dans le sac dans le tambour) posés dans les trous à l'arrière

Mise à niveau

- La laveuse est à niveau horizontalement et verticalement
- Le cabinet est bien assis sur tous les coins

Alimentation en eau

- Utiliser uniquement de nouveaux flexibles et vérifier que les rondelles en caoutchouc sont mises en place
- L'alimentation en eau CHAUDE est raccordée à l'entrée d'eau CHAUDE et l'alimentation en eau FROIDE est raccordée à l'entrée en eau FROIDE
- L'alimentation d'eau CHAUDE et FROIDE est ouverte
- Aucune fuite aux raccords d'alimentation en eau ni aux raccords d'entrée de l'appareil - revérifier dans 24 heures

Vidange

- Hauteur minimale de la colonne montante ou du drain de mur 61 cm (24 po)
- Vérifier que le disque anti-siphonnage est en place à l'extrémité du tuyau de vidange
- Tuyau de vidange fixé en place à l'aide d'une attache de câble (expédié dans le tambour)

Inversion de la porte

- Suivre les instructions détaillées dans ce guide
- Vérifier le fonctionnement de la charnière et du loquet

Alimentation électrique

- L'alimentation électrique domestique est sous tension
- La laveuse est branchée

Vérifications finales

- Instructions d'installation et d'utilisation et d'entretien lire attentivement
- La porte se verrouille et l'eau entre dans la cuve lorsque le cycle commence
- Carte d'enregistrement envoyée

Outils et matériaux requis pour l'installation :



Le flexible d'entrée (x2)



REMARQUE

Les tuyaux ne sont pas compris avec l'achat de la laveuse. Voir la section « Accessoires » pour trousse de flexibles pour correspondre à vos besoins d'installation particuliers.

Exigences électriques

CIRCUIT - Circuit de dérivation de 15 ampères individuel, correctement polarisé et mis à la terre, fusionné avec un disjoncteur ou un fusible temporisé de 15 ampères.

ALIMENTATION ÉLECTRIQUE – 2 fils plus la mise à la terre, 120 volts, monophasé, 60 Hz, courant alternatif.



REMARQUE

Étant donné les variations de tension possibles, l'utilisation de cette laveuse avec une source d'alimentation produite par une génératrice à essence, solaire ou éolienne ou par toute autre source d'alimentation différente de celle fournie par les services publics n'est pas recommandée.

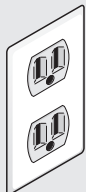
PRISE ÉLECTRIQUE – Prise à 3 voies correctement mise à la terre située de façon à ce que le cordon soit accessible lorsque la laveuse est installée dans sa position définitive.



AVERTISSEMENT

De graves blessures, voire la mort, pourraient se produire si la laveuse n'est pas mise à la terre correctement. Consulter un électricien agréé en cas de doute concernant la mise à la terre de l'appareil.

Prise murale avec mise à la terre



Il ne faut en aucun cas couper, enlever ou contourner la broche de mise à la terre.



Cordon d'alimentation avec fiche à trois broches avec mise à la terre

Exigences de mise à la terre

1. La laveuse DOIT IMPÉRATIVEMENT être mise à la terre. En cas de panne ou de défaillance, la mise à la terre offre un passage de résistance moindre au courant électrique, réduisant ainsi le risque d'électrocution.



AVERTISSEMENT

RISQUE DE CHOCS ÉLECTRIQUES

Un raccordement inadéquat du conducteur de terre de l'équipement peut accroître les risques de choc électrique. Consulter un électricien agréé en cas de doute concernant la mise à la terre de l'appareil.

2. Étant donné que votre laveuse est équipée d'un cordon d'alimentation pourvu d'un conducteur de mise à la terre et d'une fiche de mise à la terre, la fiche DOIT IMPÉRATIVEMENT être raccordée à une prise appropriée avec conducteurs en cuivre correctement installée et mise à la terre conformément aux codes et règlements locaux ou, si aucun code local ne régit ce type d'installation, à la plus récente édition du Code canadien de l'électricité C22.1 partie 1. En cas de doute, faire appel à un électricien qualifié. NE PAS COUPER et NE PAS MODIFIER la broche de mise à la terre du cordon d'alimentation. Si votre prise murale n'est pourvue que de deux fentes, il incombe au propriétaire de faire appel à un électricien qualifié pour la remplacer par une prise à trois alvéoles et mise à la terre de façon adéquate.

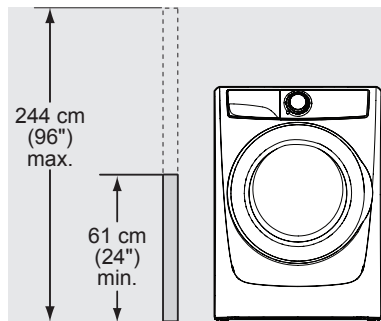
Exigences d'alimentation en eau

Les robinets d'eau chaude et d'eau froide DOIVENT IMPÉRATIVEMENT être installés à une distance de longueur de tuyau ou moins de l'arrivée d'eau de votre laveuse. Les robinets DOIVENT IMPÉRATIVEMENT être de 1,9 cm (3/4 po) et filetés en fonction d'un raccordement de tuyau de laveuse. La pression d'eau DOIT se situer entre 20 et 120 psi. La différence de pression entre l'eau chaude et froide ne peut pas dépasser 10 psi. Votre service d'aqueduc pourra vous informer de votre pression d'eau.

Exigences du système de drain

1. Drain pouvant éliminer 64,3 l (17 gal) par minute.
2. Diamètre de colonne montante de 3,18 cm (1-1/4 po) minimum.
3. Hauteur de la colonne montante depuis le sol : Hauteur minimum : 61 cm (24 po) Hauteur maximum : 244 cm (96 po).

6 Conditions d'installation



REMARQUE

La longueur du tuyau est de 150 cm (59 po). Pour des installations nécessitant un tuyau plus long, utiliser le tuyau portant le numéro de pièce 137098000 disponible auprès d'un distributeur de pièces autorisé.

Débattement requis



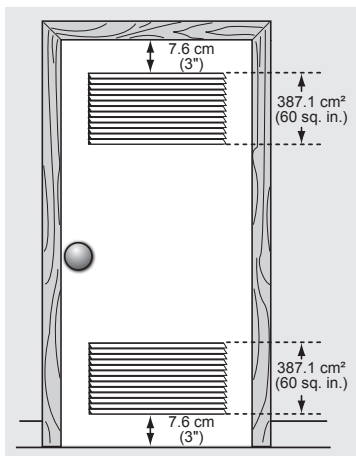
IMPORTANT

NE PAS INSTALLER LA LAVEUSE :

1. Dans un endroit exposé aux écoulements d'eau ou aux aléas des conditions météorologiques extérieures.
2. Dans un endroit où de l'essence ou d'autres substances inflammables sont entreposées. Si la laveuse est installée dans un garage, elle doit l'être à au moins 45,7 cm (18 po) au-dessus du sol.
3. Sur un tapis. Le plancher DOIT être solide et présenter une pente inférieure à 2,54 cm (1 po). Il peut être nécessaire de renforcer le plancher pour prévenir la vibration ou le mouvement de l'appareil.

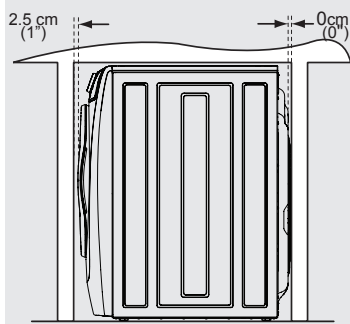
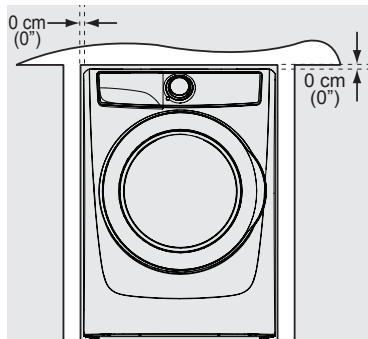
Intallation dans une niche ou un placard

Si la laveuse et la sècheuse sont installées dans le même placard, une ventilation de porte est requise : Une ouverture d'un minimum de 774,2 cm² (120 po carrés) est requise également au haut et au bas de la porte. Les événements à lames doivent se situer à 7,6 cm (3 po) du bas et du haut de la porte. Les événements doivent être sans obstruction lorsqu'une porte est installée. Une porte persienne avec des événements équivalents toute la longueur de la porte est acceptable.

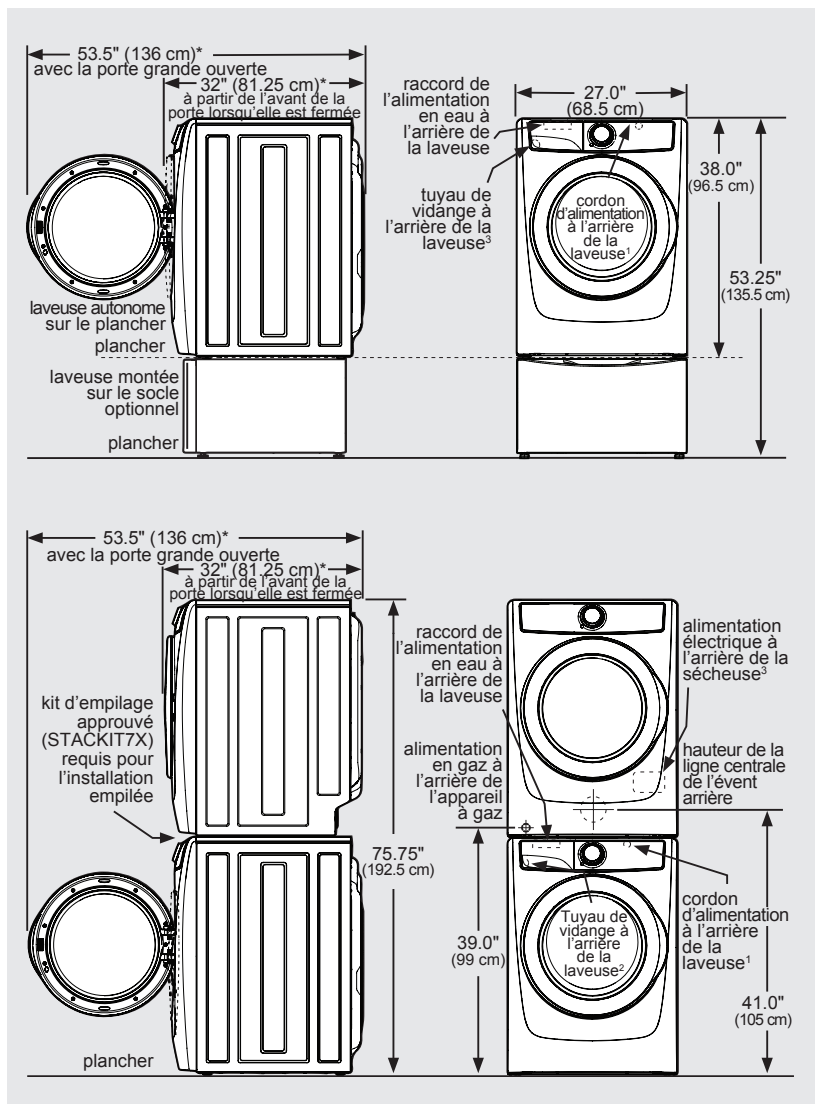


porte de placard

DÉGAGEMENTS MINIMUM POUR L'INSTALLATION - cm (po)				
	CÔTÉS	ARRIÈRE	DESSUS	AVANT
Alcôve	0 cm (0 po)	0 cm (0 po)	0 cm (0 po)	s/o
Sous le comptoir	0 cm (0 po)	0 cm (0 po)	0 cm (0 po)	s/o
Armoire	0 cm (0 po)	0 cm (0 po)	0 cm (0 po)	2,5 cm (1 po)



Dimensions de la laveuse



*Le raccord du flexible d'admission d'eau sur la sècheuse à vapeur ajoute 2 cm (3/4 po.) à la profondeur de l'installation.

¹Longueur du cordon d'alimentation de la laveuse d'environ 152,5 cm (60 pouces).

²Longueur du tuyau d'évacuation de la laveuse d'environ 150 cm (59 pouces).

³Longueur du cordon d'alimentation de la sècheuse à gaz ou de la sècheuse électrique canadienne d'environ 152,5 cm (60 pouces).

8 Déballage de l'appareil

Retirer l'emballage en mousse

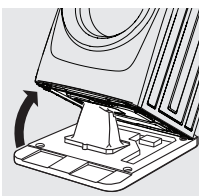
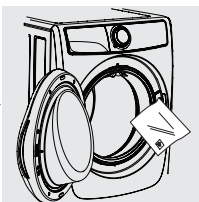


AVERTISSEMENT

RISQUE D'ÉTOUFFEMENT

Détruire le carton d'emballage et les sacs en plastique après avoir déballé l'appareil. Les enfants pourraient les utiliser pour jouer. Les cartons recouverts de tapis, couvertes ou draps de plastique peuvent se transformer en chambres étanches à l'air. Placer tous les matériaux dans une poubelle ou rendre les matériaux inaccessibles aux enfants.

1. Retirer temporairement le ruban de la porte.
2. Ouvrir la porte de la laveuse et retirer tout ce qu'il y a dans le tambour.
3. Fermer la porte et remettre le ruban de porte.
4. Pour protéger le plancher, utiliser un tapis, une couverture ou une pièce de carton et coucher délicatement la laveuse sur son dos.



IMPORTANT

NE PAS placer la laveuse sur son dos sans les boulons d'expédition.

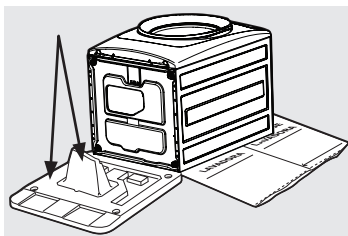


ATTENTION

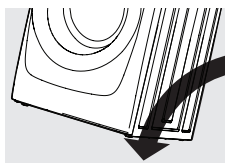
DANGER DE MASSE EXCESSIVE

Afin d'éviter toute blessure de dos ou autre, s'assurer d'avoir au moins deux personnes pour déplacer ou soulever la laveuse.

5. Retirer la base en styromousse et le bouchon d'expédition et les mettre de côté.



6. Remettre soigneusement la laveuse en position verticale.



7. Déplacer soigneusement la laveuse à moins de 1 m (4 pi) de son emplacement définitif.



AVERTISSEMENT

RISQUE DE CHOCS ÉLECTRIQUES

Certaines pièces internes ne sont pas mises à la terre et peuvent présenter un risque de choc électrique si elles sont touchées durant l'installation.

Ne pas toucher les pièces suivantes une fois que l'appareil est mis sous tension.

- Pompe
- Moteur d'entraînement
- Panneaux de commande électrique
- Valves d'eau



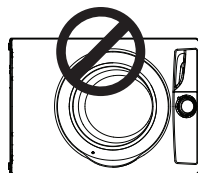
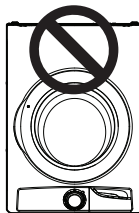
IMPORTANT

Conserver la base en styromousse et le bouchon d'expédition afin d'éviter d'endommager l'appareil dans le cas d'un déplacement éventuel.



IMPORTANT

NE PAS basculer ni renverser la laveuse pour quelque raison que soit.

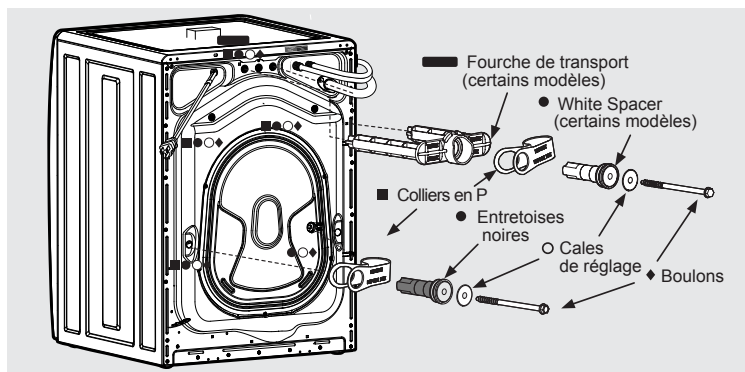


Retirer la boulonnerie de transport

➔ IMPORTANT

Le non retrait de toute la quincaillerie d'expédition pourrait entraîner des dommages à l'appareil, des dommages à la maison, ou des résultats de lavage inattendus.

Conserver tous les boulons et les cales d'espacement d'expédition pour un usage ultérieur. Si la laveuse doit être transportée plus tard, ces pièces d'expédition doivent être réinstallées pour éviter des dommages causés par le transport.



Pour la série 300 :

Retirer tout ce qui suit :

- ◆ 4 BOULONS
- 4 CALES DE RÉGLAGE
- 4 ENTRETOISES NOIRES
- 3 COLLIERS EN P

Pour les séries 400, 500 et 600 :

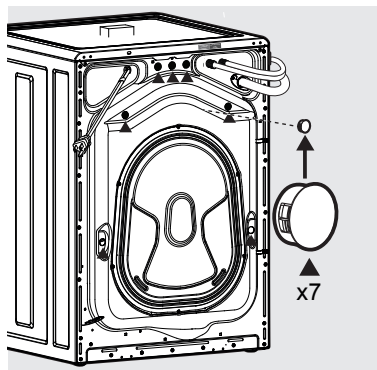
Retirer tout ce qui suit :

- ◆ 5 BOULONS
- 5 CALES DE RÉGLAGE
- 4 ENTRETOISES NOIRES
- 4 COLLIERS EN P
- 1 ENTRETOISE BLANCHE
- 1 FOURCHE DE TRANSPORT



REMARQUE

Le matériel d'expansion en caoutchouc sur les cales d'espacement peuvent nécessiter un certain temps avant de pouvoir passer à travers le trou de transport.



Installation des bouchons de trou

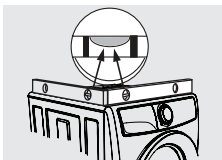
Situer les bouchons dans le petit sac fourni avec les guides d'instructions de la laveuse. Les insérer dans les trous dans le panneau arrière de la laveuse où la quincaillerie de transport avait été retirée.

10 Instructions d'installation

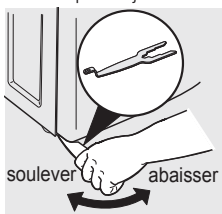
Mise à niveau de votre laveuse

Les bruits excessifs et les vibrations peuvent être évités en mettant correctement la laveuse à niveau.

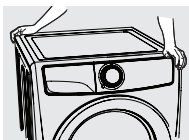
1. Pour une installation autonome où la laveuse est à moins de 1 m (4 pi) de son emplacement définitif, placer un niveau sur le dessus de l'appareil.



2. Utiliser la clé universelle pour ajuster les pieds de mise à niveau de façon à ce que la laveuse soit de niveau d'avant en arrière et latéralement, et qu'elle soit stable aux quatre coins.



3. Appuyer sur chaque coin et chaque côté pour déterminer les endroits qui nécessitent un réglage. Ajuster les pieds de mise à niveau appropriés de manière à ce que la laveuse repose solidement sur ses QUATRE pieds. Garder les pieds de mise à niveau le plus près possible de la laveuse afin d'optimiser le rendement de la laveuse.



REMARQUE

Pour une installation sur socle, voir les instructions d'installation complémentaires incluses avec le socle.

Raccordement à la canalisation d'eau

1. Faire couler de l'eau chaude et froide des robinets pour purger les tuyaux d'eau, pour éliminer toute particule qui pourrait obstruer les grillages des robinets, et pour déterminer quels robinets fournissent l'eau chaude et l'eau froide.



2. Vérifier que la rondelle en caoutchouc des flexibles d'entrée est solidement en place.



Les rondelles en caoutchouc doivent être présentes

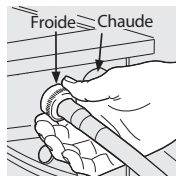
UTILISER SEULEMENT DES TUYAUX NEUFS



REMARQUE

Les tuyaux ne sont pas compris avec l'achat de la laveuse. Voir la section « Accessoires » pour trousses de flexibles pour correspondre à vos besoins d'installation particuliers.

3. Brancher le flexible d'eau CHAUDE au robinet d'admission d'eau CHAUDE de la laveuse et le flexible d'eau FROIDE au robinet d'admission d'eau FROIDE de la laveuse.



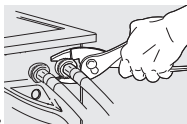
Entrée d'eau froide sur le côté gauche (certains modèles seulement)



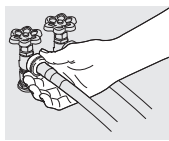
IMPORTANT

L'entrée d'eau froide aura un bouchon bleu sur son raccord et l'entrée d'eau chaude aura un bouchon rouge sur son raccord. En outre, selon le modèle, les raccords chaud et froid seront marqués soit d'une étiquette ou de repères directement sur l'appareil pour indiquer de quel côté sont les raccords chaud et froid.

Serrer fermement à la main. Ensuite, serrer d'un autre 2/3 de tour au moyen de la pince. **Ne pas fausser ni trop serrer ces raccords.**



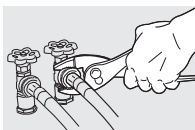
4. Brancher le flexible d'eau CHAUDE au raccord d'alimentation d'eau CHAUDE domestique et le flexible d'eau FROIDE au raccord d'alimentation d'eau FROIDE domestique.



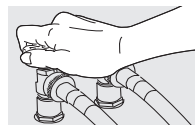
- Serrer fermement à la main.

Ensuite, serrer d'un autre 2/3 de tour au moyen de la pince.

Attention de ne pas plier, déformer ou pincer les flexibles d'entrée d'eau.

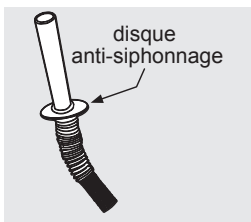


- Ouvrir l'eau et vérifier pour toute présence de fuite.

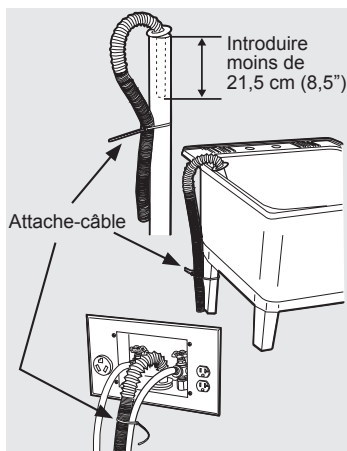


Branchement de l'alimentation électrique et de l'évacuation

- Vérifier que le disque anti-siphonnage est bien en place.



- Placer le côté du tuyau de vidange en forme de « U » dans l'ouverture du tuyau d'évacuation. Placer l'extrémité ainsi formée dans une cuve à lessive ou un tuyau d'évacuation et fixer le tuyau de vidange au moyen d'une attache (incluse dans la trousse d'installation fournie) au tuyau d'évacuation, au tuyau d'entrée, à la cuve à lessive, etc. de façon à ce que le tuyau ne puisse être arraché sous la force de l'eau.



REMARQUE

Tuyau d'évacuation d'au moins 3,2 cm (1-1/4 po) de diamètre. Il doit y avoir un débattement autour du tuyau d'évacuation dans la colonne montante. Un tuyau trop serré cause un effet de siphonnement.

IMPORTANT

Vérifier que l'alimentation électrique est coupée au disjoncteur ou au boîtier de fusibles avant de brancher le cordon d'alimentation dans une prise électrique.

- Brancher le cordon électrique dans une prise électrique mise à la terre.

AVERTISSEMENT

RISQUE DE CHOCS ÉLECTRIQUES

Un raccordement inadéquat du conducteur de terre de l'équipement peut accroître les risques de choc électrique. Consulter un électricien agréé en cas de doute concernant la mise à la terre de l'appareil.

Voir *Exigences électriques* et *Exigences de mise à la terre* dans ces instructions pour d'autres suggestions pratiques.

- Ouvrir l'alimentation électrique au disjoncteur ou au boîtier de fusibles.
- Faire glisser soigneusement la laveuse à son emplacement définitif. Vérifier à nouveau la mise à niveau et la stabilité de l'appareil. Voir la section « **Mise à niveau de votre laveuse** ». Retirer et jeter le ruban de la porte.
- Lire le Guide d'emploi et d'entretien fourni avec la laveuse. Celui-ci contient des informations pertinentes qui vous économiseront temps et argent.
- Faire marcher la laveuse pendant un cycle complet pour vérifier la présence de fuites et le bon fonctionnement de la machine.
- Si vous avez des questions concernant le fonctionnement initial, veuillez consulter la « Liste de prévention de service » dans votre Guide d'emploi et d'entretien avant de faire appel à un technicien.
- Ranger ces instructions dans un endroit proche de la laveuse pour référence future.

REMARQUE

Un schéma électrique et une fiche technique sont situés sous le panneau supérieur de la laveuse, au-dessus du logement de distributeur de détergent.

12 Porte réversible



REMARQUE

La porte réversible est disponible seulement sur les modèles de série 500 et 600.



IMPORTANT

AVANT D'INVERSER LA PORTE DE LA LAVEUSE :

1. Vérifier qu'il y a de la place pour ouvrir la porte avant de l'inverser.
2. Recueillir les outils nécessaires, incluant un tournevis avec un embout carré #2 et un couteau en plastique (ou un petit outil de grattage qui n'égratignera pas la peinture).
3. À l'aide d'une serviette ou d'un linge doux, protéger une surface plane, comme le dessus de la laveuse ou le plancher près de la laveuse.
4. S'assurer que la laveuse est débranchée de l'alimentation électrique !

Outils nécessaires :



Destornillador con broca cuadrada del 2



Couteau en plastique



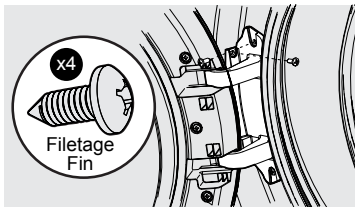
AVERTISSEMENT

RISQUE DE CHOCS ÉLECTRIQUES

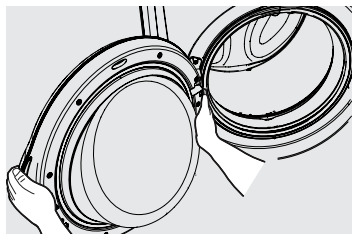
Si l'alimentation électrique n'est pas déconnectée avant l'entretien, cela pourrait entraîner des blessures graves, voire la mort.

Dépose de la porte

1. Ouvrir complètement la porte pour exposer les quatre vis de charnière.
2. Retirer les quatre vis de charnière à l'aide d'un tournevis avec embout carré #2. Les conserver pour la repose.



3. Tenir la porte avec une main supportant la poignée et une main supportant la charnière. Tout en supportant la porte au niveau de la charnière, appuyer fermement avec l'autre main jusqu'à ce que les goupilles de référence sur le dos de la plaque de charnière se délogent du panneau avant.

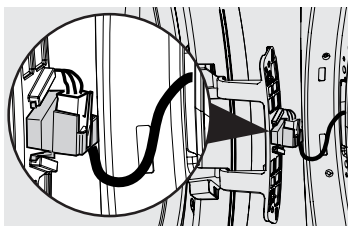


4. Tout en supportant la porte d'une main, pincer les onglets pour libérer le capuchon terminal de plastique de la plaque de charnière.



IMPORTANT

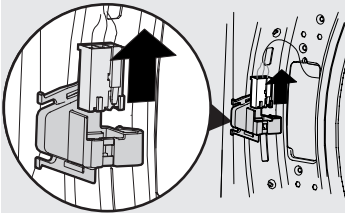
Prendre soin de ne pas retirer la porte de la laveuse avant d'avoir enlevé le capuchon terminal du faisceau de câblage.



5. Placer la porte sur sa face sur une surface plane protégée par une serviette ou un linge doux.

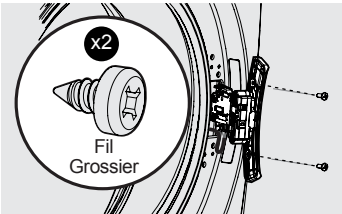
Dépose de la porte, suite

- Libérer le faisceau de câblage de la retenue sur le capuchon terminal de plastique. Puis libérer le terminal du capuchon terminal. Conserver le capuchon pour la repose plus tard.

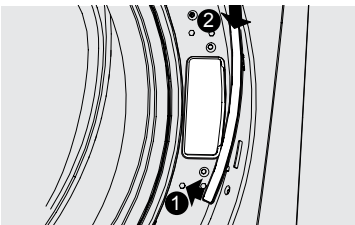


Dépose du verrou de porte et du bouchon en plastique

- Situer et retirer les deux vis de verrouillage de porte. Conserver les vis pour plus tard.
- Tourner le verrou en le tirant à travers le panneau avant. Prendre soin de ne pas tirer trop fort ni trop loin puisque le verrou est toujours attaché au faisceau de câblage.

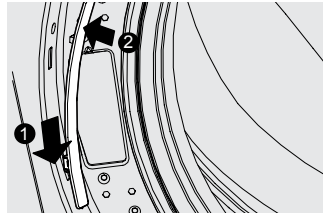


- Débrancher le faisceau de câblage terminal du verrou de la porte. Mettre le verrou de la porte de côté pour la repose plus tard.
- Détacher le fond du bouchon en plastique du panneau avant en le tirant vers le haut. Il sera peut-être nécessaire d'utiliser un couteau en plastique non abrasif s'il est impossible de le détacher à la main. Ensuite, faire glisser le bouchon légèrement puis le retirer du panneau avant.

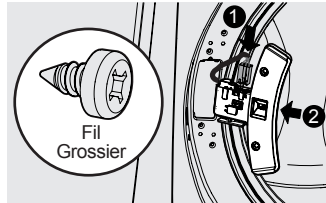


Repose du verrou de porte et du bouchon en plastique

- Déplacer le bouchon en plastique vers l'autre côté du panneau avant. Placer le bouchon de façon à ce que le « crochet » soit au fond. Introduire le crochet dans la fente du bas, faire glisser le bouchon, puis enfoncer les onglets de retenue supérieurs dans l'ouverture jusqu'à ce qu'ils s'enclenchent.

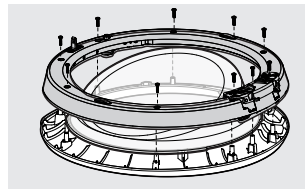


- Introduire le faisceau de câblage dans le verrouillage de porte.
- Introduire le verrou de porte dans le panneau avant et réinstaller les vis de verrou de porte.

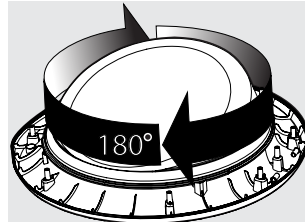


Porte réversible

- Situer les neuf vis dans la bague intérieure de la porte. Les retirer une à la fois et les conserver pour la repose plus tard. Retirer la porte intérieure (avec la charnière) et les mettre soigneusement de côté.



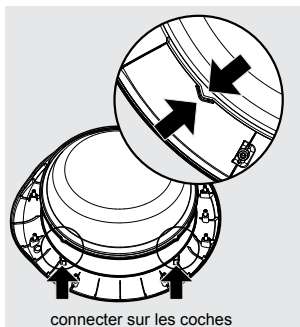
- Soulever légèrement le verre de la porte et la tourner 180 degrés et ensuite le replacer sur la porte extérieure.



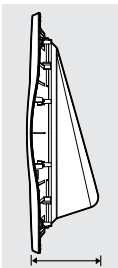
14 Porte réversible

Porte réversible, suite

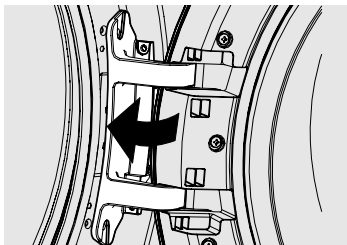
3. S'assurer que les onglets d'alignement se réenclenchent.



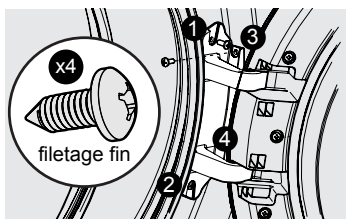
4. Remonter la porte intérieure sur la porte extérieure à l'aide des neuf vis déposés plus tôt. Voir l'illustration Étape 1.
5. Vérifier que la partie bombée (la section plus large) du verre de porte est situé au BAS de la porte.



3. Introduire les goupilles de référence de la charnière dans le trou qui avait précédemment été caché par le bouchon de plastique. Appuyez sur la face de la charnière pour enclencher les autres goupilles en place.

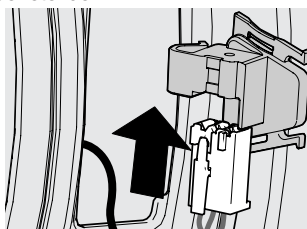


4. Réinstaller les quatre vis retirées précédemment - les deux vis avant en premier, puis les deux vis latérales.

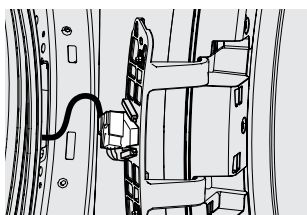


Repose de la porte

1. Introduire le terminal du faisceau de câblage dans le capuchon terminal et mettre le faisceau dans son dispositif de retenue.

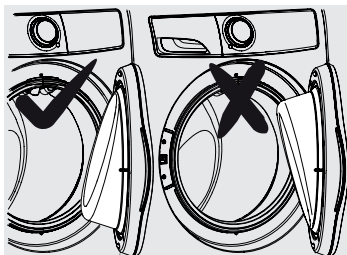


2. Faire glisser le capuchon terminal sur la plaque de charnière jusqu'à ce que les onglets s'enclenchent.



Vérifier le fonctionnement de la porte inversée

1. Assurer une ouverture sans problème et le verrouillage à la fermeture.
2. Vérifier que le verre de la porte intérieure est bien orienté avec la partie bombée vers le bas.



3. Brancher la laveuse puis fermer la porte. Valider le verrouillage de la porte en lançant un cycle d'essai : la serrure doit s'engager et il doit être impossible d'ouvrir la porte avant la fin ou l'annulation du cycle.

Accessoires

SOCLE DE RANGEMENT ASSORTI*

Socle blanc - PIÈCE N° EPWD257UIW
Socle argenté - PIÈCE N° EPWD257UTT

Un socle de rangement conçu spécialement pour cette laveuse qui peut être utilisé pour soulever l'appareil, facilitant ainsi son utilisation. Le socle ajoute environ 38 cm (15 po) à la hauteur de l'appareil.

*Il se peut que d'autres couleurs soient disponibles. Communiquez avec le détaillant qui vous a vendu votre laveuse.

NÉCESSAIRE DE SUPERPOSITION DE SÈCHEUSE PIÈCE N° STACKIT7X

Selon le modèle que vous avez acheté, il se peut qu'un nécessaire pour superposer cette sècheuse sur une laveuse assortie ait été inclus dans l'achat initial de votre sècheuse. Si votre modèle ne comprenait pas de nécessaire de superposition ou que vous en désirez un autre, il vous est possible d'en commander un.

TUYAUX D'ALIMENTATION

Veuillez téléphoner 866-233-8353 au 800-265-8352 pour connaître les options de tuyaux qui répondront à vos besoins d'installation particuliers.

NÉCESSAIRE DE RALLONGE DE TUYAU DE VIDANGE PIÈCE N° 137098000

Pour atteindre un tuyau d'évacuation qui est trop haut ou trop loin pour la longueur de tuyau fournie, commandez le nécessaire de rallonge de tuyau de vidange.

CLÉ D'APPAREIL UNIVERSELLE PIÈCE N° 137019200

Une clé d'appareil universelle est offerte pour faciliter le réglage des pieds de sècheuse/laveuse/socle.

CRAYONS DE PEINTURE DE RETOUCHE*

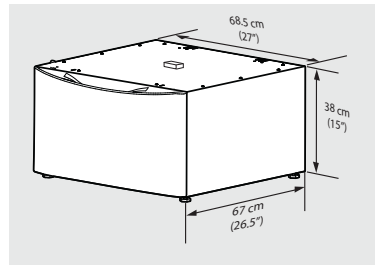
Crayon de retouche blanc - PIÈCE N° 5304468812
Crayon de retouche argenté- PIÈCE N° 5304475700

*Il se peut que d'autres couleurs soient disponibles. Communiquez avec le détaillant qui vous a vendu votre laveuse.

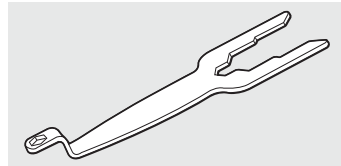


ATTENTION

L'utilisation d'accessoires non fabriquées (ni autorisées) par le fabricant pourrait entraîner des blessures, des dommages matériels ou des dommages à la laveuse.



Socle de rangement

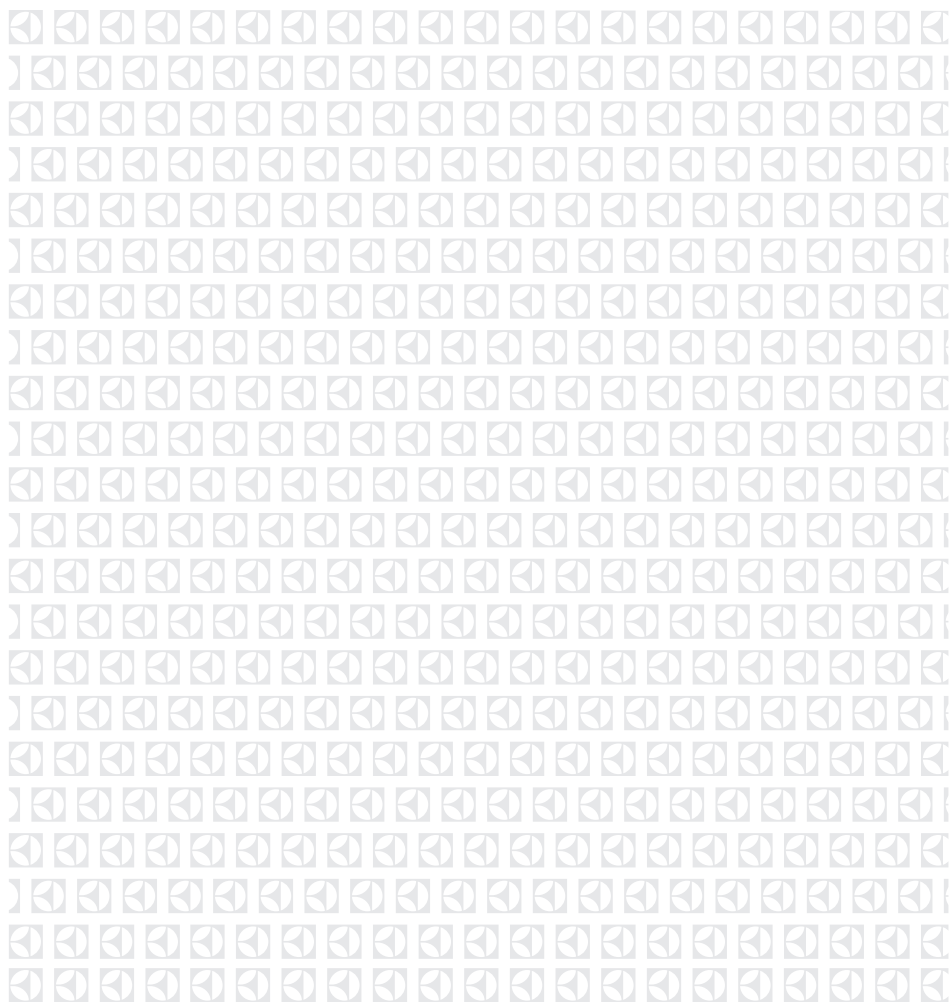


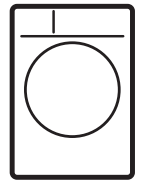
Clé universelle

Pièces de rechange aux États-Unis et au Canada

Si vous avez besoin de pièces de rechange pour votre sècheuse, contactez le détaillant où vous avez acheté votre sècheuse, faites le 1 877 4ELECTROLUX (1 877 435-3287) aux États-Unis ou le 1 800 265-8352 au Canada, ou visitez notre site Internet <http://www.electroluxappliances.ca/fr-CA> pour trouver le distributeur de pièces agréé Electrolux le plus près de chez vous.

electrolux.com/shop





EN FRONT LOAD WASHER

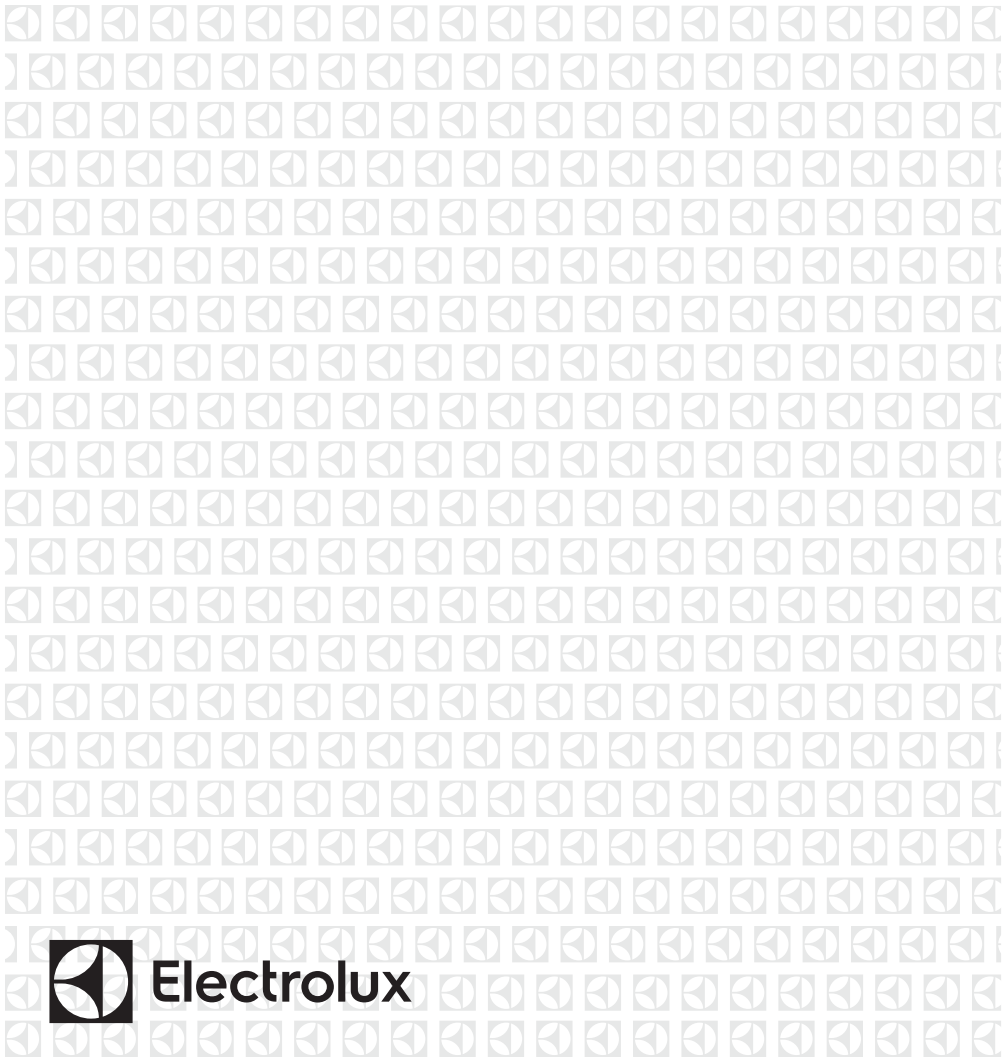
FR LAVEUSE À CHARGEMENT FRONTAL

ES LAVADORA DE CARGA FRONTAL

INSTALLATION INSTRUCTIONS

INSTRUCTIONS D'INSTALLATION

INSTRUCCIONES DE INSTALACIÓN



Electrolux

2 Instrucciones de seguridad importantes




ADVERTENCIA

Por su seguridad siga la información contenida en este manual para minimizar el riesgo de incendio o explosión y evitar daños materiales, lesiones o incluso pérdida de vidas. No guarde ni use gasolina u otros líquidos o productos inflamables cerca de este o de cualquier otro electrodoméstico.

Precauciones de seguridad

No intente instalar u operar su unidad hasta que haya leído las precauciones de seguridad en este manual. Los elementos de seguridad en este manual están etiquetados con Peligro, Advertencia o Atención, según el tipo de riesgo.

Definiciones

 Este es el símbolo de alerta de seguridad. Se utiliza para alertarle de potenciales peligros de sufrir lesiones. Obedezca todos los mensajes de seguridad que aparezcan después de este símbolo para evitar posibles lesiones o incluso la muerte.



PELIGRO

PELIGRO indica una situación inminente y peligrosa que, de no evitarse, producirá la muerte o lesiones graves.



ADVERTENCIA

Una indicación de ADVERTENCIA representa una situación potencialmente peligrosa que, si no se evita, podría tener como resultado la muerte o una lesión grave.



PRECAUCIÓN

Una indicación de PRECAUCIÓN representa una situación potencialmente peligrosa que, si no se evita, puede tener como resultado una lesión leve o moderada.



IMPORTANTE

Indica información de instalación, funcionamiento o mantenimiento que es importante pero no se relaciona con ningún peligro.

Índice

Instrucciones de seguridad importantes	2
Requisitos para la instalación.....	4
Desembalaje de la lavadora	8
Instrucciones de instalación.....	10
Puerta reversible.....	12
Opciones.....	15



ADVERTENCIA PELIGRO DE INCENDIO

Lea todas las instrucciones antes de instalar y utilizar este aparato.

- Deseche el cartón y las bolsas de plástico después de desembalar la lavadora. Los niños podrían utilizarlas para jugar. Las cajas de cartón cubiertas con esterillas, colchas o láminas de plástico pueden convertirse en cámaras herméticas y provocar asfixia. Coloque todos estos materiales en un contenedor de basuras o fuera del alcance de los niños.
- Por su seguridad siga la información contenida en este manual para minimizar el riesgo de incendio o explosión y evitar daños en las propiedades, lesiones personales o incluso pérdida de vidas. No guarde ni use gasolina u otros líquidos o productos inflamables cerca de este o de cualquier otro electrodoméstico.
- Instale la lavadora de conformidad con las instrucciones del fabricante y los códigos locales.
- El suministro eléctrico a la lavadora debe cumplir los códigos y ordenanzas locales y la última edición del Código Eléctrico Nacional, ANSI/NFPA 70, o en Canadá, el código eléctrico canadiense CSA C22.1 parte 1.
- Para evitar lesiones en la espalda o de otro tipo, la lavadora debe ser levantada o trasladada por más de una persona.
- No apile una secadora encima de una lavadora instalada sobre pedestal. No apile la lavadora encima de una secadora. No apile la lavadora encima de otra lavadora.
- Las instrucciones de este manual y cualquier otra publicación incluida con esta lavadora no están previstas para cubrir todas las posibles condiciones y situaciones que puedan darse. TIENE QUE utilizar el sentido común y tener precaución al instalar, poner en funcionamiento y realizar el mantenimiento de cualquier electrodoméstico.

**GUARDE ESTAS INSTRUCCIONES
PARA CONSULTAS FUTURAS.**

4 Requisitos para la instalación

Lea y guarde esta guía

Gracias por elegir Electrolux, la marca premium de electrodomésticos. Estas Instrucciones de Instalación forman parte de nuestro compromiso con la satisfacción del cliente y la calidad del producto durante la vida útil de su nuevo aparato.

¿Preguntas?

Para llamadas gratuitas en EE.UU. y en Canadá:
EE.UU.
1-877-4ELECTROLUX (1-877-435-3287)
www.electroluxappliances.com
Canadá
1-800-265-8352
www.electroluxappliances.ca

Lista de comprobación para la instalación

Materiales de embalaje y envío

- Sujeción de espuma para envío (debajo del tambor) retirada y guardada
- Separadores y pernos de transporte retirados de la parte trasera del electrodoméstico y almacenados
- Tapones (entregados en bolsa en el tambor) instalados en los orificios de la placa posterior.

Nivelación

- La lavadora está nivelada, de lado a lado y de frontal a trasera
- El mueble se apoya bien en todas las esquinas

Suministro de agua

- Utilice solo mangueras nuevas y compruebe que estén colocadas las arandelas de goma de sellado
- El suministro de agua CALIENTE está conectado a la entrada de agua CALIENTE y la de agua FRÍA, a la entrada de agua FRÍA
- Suministros de agua CALIENTE y FRÍA conectados
- Las conexiones del suministro de agua y las conexiones de entrada del aparato no presentan pérdidas; volver a comprobar en 24 horas

Desagüe

- Tubería vertical o desagüe de pared, altura mínima 24"
- Compruebe que el disco antisifón está instalado hacia el extremo de la manguera de desagüe.
- Manguera de desagüe fijada con brida para cables (se entrega en el tambor)

Reversibilidad de la puerta

- Siga las instrucciones detalladas de esta guía
- Prueba de bisagra y de funcionamiento del pestillo

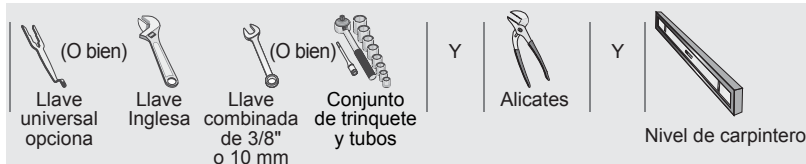
Alimentación eléctrica

- Corriente eléctrica de la vivienda encendida
- Lavadora enchufada

Comprobaciones finales

- Instrucciones de instalación y Guía de uso y mantenimiento: leídas atentamente
- La puerta se bloquea y entra agua en el tambor cuando se inicia el ciclo
- Tarjeta de registro enviada

Herramientas y materiales necesarios para la instalación:



La manguera de entrada (x2)



NOTA

El precio de la lavadora no incluye mangueras. Consulte la sección "Accesorios" para ver los distintos kits de mangueras de entrada adecuados a su instalación concreta.

Requisitos del sistema eléctrico

CIRCUITO - Circuito de derivación individual de 15 amperios adecuadamente polarizado y conectado a tierra con fusible o disyuntor de 15 amperios con retardo.

FUENTE DE ALIMENTACIÓN - 2 cables, con conexión a tierra 120 voltios, monofase, 60 Hz, corriente alterna.



NOTA

Debido a la posible falta de voltaje constante, no se recomienda el uso de esta lavadora con alimentación mediante generadores de gas, solares, eólicos u otro tipo de generador distinto del suministrado por su empresa de electricidad local.

TOMA DE CORRIENTE - Toma de corriente de pared de 3 clavijas con conexión a tierra situada de modo que el cable de alimentación quede accesible cuando la lavadora quede instalada en su posición.



ADVERTENCIA

Una inadecuada conexión a tierra de la lavadora puede provocar lesiones graves o la muerte. Consulte a un electricista cualificado en caso de duda sobre si el aparato está adecuadamente conectado a tierra.

Tomacorriente de pared con conexión a tierra



Bajo ninguna circunstancia corte, extraiga o desvíe las patas de conexión a tierra.



Cable de alimentación con enchufe de tres patas con conexión a tierra

Requisitos de conexión a tierra

1. La lavadora TIENE QUE estar conectada a tierra. En caso de fallo o avería, la conexión a tierra reducirá el riesgo de descarga eléctrica mediante una vía de menor resistencia para la corriente eléctrica.



ADVERTENCIA

PELIGRO DE DESCARGA ELÉCTRICA

Una incorrecta conexión del conductor de puesta a tierra del equipo puede crear un riesgo de descarga eléctrica. Consulte a un electricista cualificado en caso de duda sobre si el aparato está adecuadamente conectado a tierra.

2. Como su lavadora está provista de un cable de alimentación eléctrica que tiene un conductor de puesta a tierra del equipo y un enchufe con toma de tierra, el enchufe SE TIENE QUE enchufar en un receptáculo apropiado con cable de cobre que esté correctamente instalado y conectado a tierra de conformidad con todos los códigos y ordenanzas locales o en ausencia de estos, de acuerdo con los Códigos Eléctricos Nacionales ANSI/NFPA 70 (última edición), o en Canadá, según el código eléctrico canadiense C22.1 parte 1. En caso de duda, llame a un electricista cualificado. NO corte ni modifique la clavija de conexión a tierra del cable de alimentación eléctrica. Cuando se disponga de un receptáculo de dos ranuras, el propietario tiene la responsabilidad de pedir a un electricista cualificado que lo sustituya por uno de tres clavijas con toma de tierra debidamente conectada.

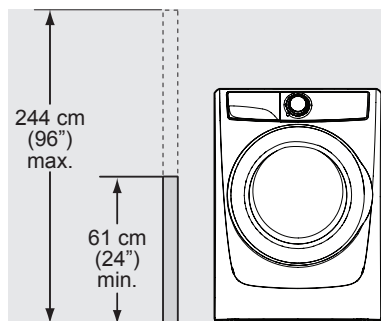
Requisitos del suministro de agua

Las llaves de agua fría y caliente TIENEN QUE instalarse dentro de la longitud de manguera de entrada de agua de la lavadora. Las llaves TIENEN QUE ser de 1,9 cm (3/4 de pulgada) con roscado para conexión a manguera de lavado. La presión de agua TIENE QUE estar entre 20 y 120 psi. La diferencia de presión entre caliente y fría no puede ser de más de 10 psi. El servicio de aguas podrá asesorarle sobre su presión de agua.

Requisitos del sistema de desagüe

1. Desagüe capaz de eliminar 17 galones (64,3 l) por minuto.
2. Tubería vertical (general) con un diámetro mínimo de 3,18 cm (1-1/4").
3. Altura de la tubería vertical por encima del suelo : Altura mínima: 61 cm (24")
Altura máxima: 244 cm (96").

6 Requisitos para la instalación



NOTA

La longitud de la manguera de desagüe es 150 cm (59"). Para instalaciones que requieran una manguera de desagüe más larga, utilice la manguera pieza nº 137098000, disponible en un distribuidor autorizado de piezas.

Requisitos de holgura



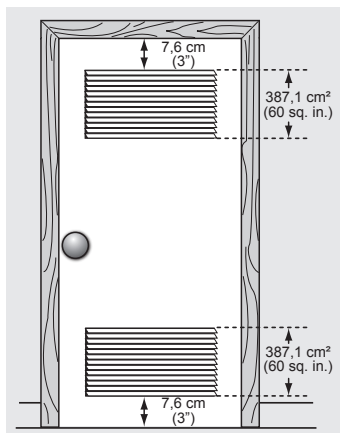
IMPORTANTE

NO INSTALE SU LAVADORA:

1. En un área expuesta a goteo de agua o a las condiciones atmosféricas del exterior.
2. En un lugar donde se almacene o guarde gasolina u otros productos inflamables. Si la lavadora se instala en un garaje, debe estar a un mínimo de 45,7 cm (18 pulgadas) sobre el suelo.
3. Sobre moquetas o alfombras. El suelo **TIENE QUE** ser sólido con una pendiente máxima de 2,5 cm (1 pulgada). Para minimizar la vibración o movimiento puede ser necesario reforzar el suelo.

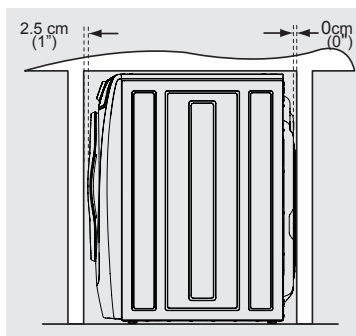
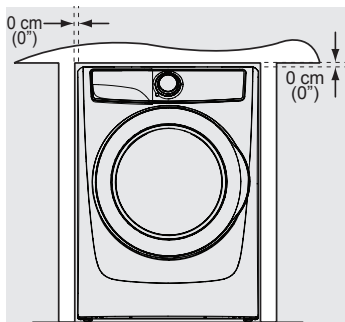
Instalación en nicho o armario

Si en el mismo armario se instala la lavadora y una secadora es necesario que la puerta disponga de ventilación. Se precisa una abertura mínima de 774,2 cm² (120 pulgadas cuadradas), dividida por igual en la parte superior e inferior de la puerta. Las aberturas de listones estarán situadas a 7,6 cm (3 pulgadas) de las partes inferior y superior de la puerta. Si se instala una puerta, deberá tener aberturas de aire sin obstrucciones. Es aceptable una puerta de listones con aberturas de aire equivalentes para toda la longitud de la puerta.

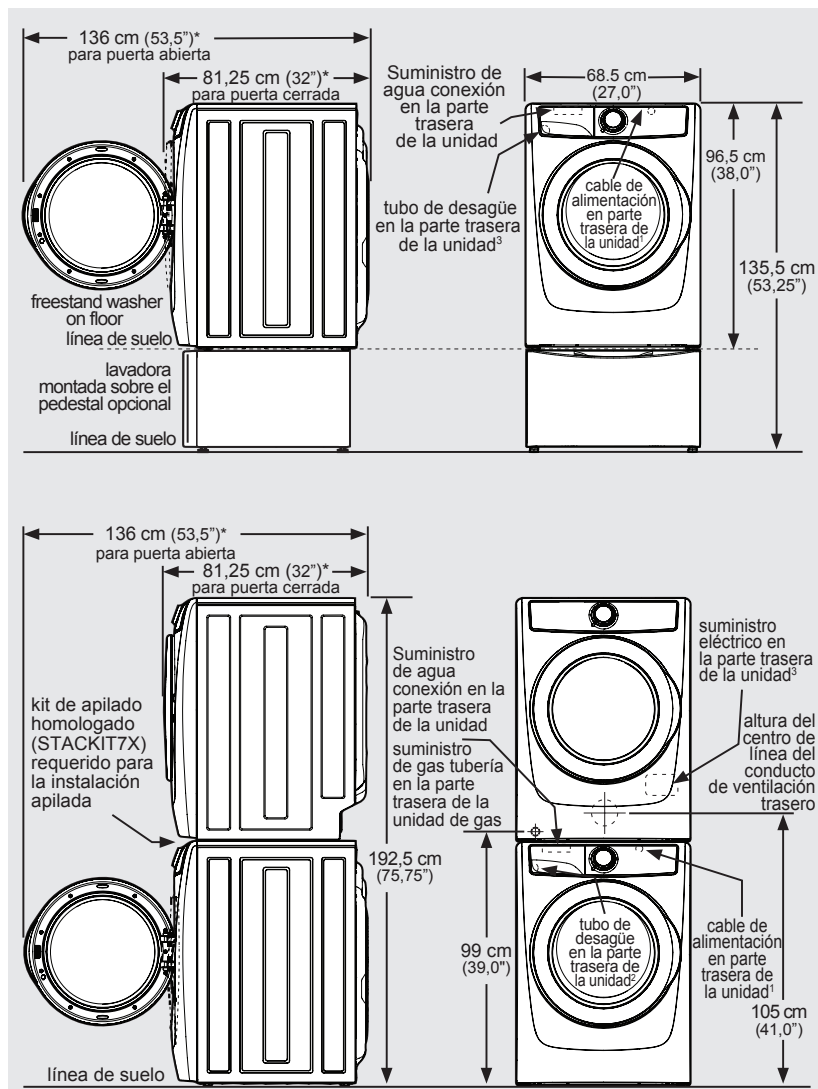


puerta de armario

HOLGURAS MINIMAS PARA LA INSTALACIÓN - Pulgadas (cm)				
	LADOS	POSTERIOR	SUPERIOR	FRONTAL
Hueco	0 cm (0")	0 cm (0")	0 cm (0")	n/d
Debajo de encimera	0 cm (0")	0 cm (0")	0 cm (0")	n/d
Armario	0 cm (0")	0 cm (0")	0 cm (0")	2,5 cm (1")



Dimensiones de la lavadora



*La conexión de la manguera de entrada de agua de la secadora de vapor añade 2 cm (3/4") a la profundidad de instalación.

¹Longitud del cable de alimentación de la lavadora de aproximadamente 152,5 cm (60 pulgadas).

²Longitud de la manguera de desagüe de la lavadora de aproximadamente 150 cm (59 pulgadas).

³Longitud del cable de alimentación de secadora de gas o secadora eléctrica canadiense de aproximadamente 152,5 cm (60 pulgadas).

8 Desembalaje de la lavadora

Extraiga el embalaje de espuma

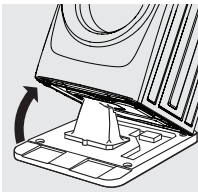
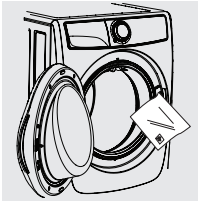


ADVERTENCIA

PELIGRO DE ASFIXIA

Deseche la caja de cartón y las bolsas de plástico después de desembalar la lavadora. Los niños podrían utilizarlas para jugar. Las cajas de cartón cubiertas con esterillas, colchas o láminas de plástico pueden convertirse en cámaras herméticas y provocar asfixia. Coloque todos los materiales en un contenedor de basuras o fuera del alcance de los niños.

1. Retire provisionalmente la cinta de la puerta.
2. Abra la puerta de la lavadora y saque todos los artículos del tambor.
3. Cierre la puerta y coloque de nuevo la cinta de la puerta.
4. Utilizando una alfombra, manta o trozo de cartón para proteger el suelo, apoye con cuidado la lavadora sobre su parte trasera.



IMPORTANTE

NO coloque la lavadora sobre su parte trasera sin los pernos de transporte.

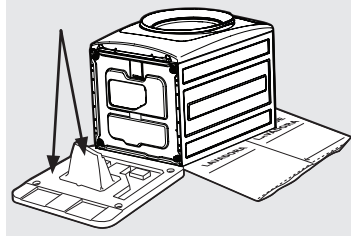


PRECAUCIÓN

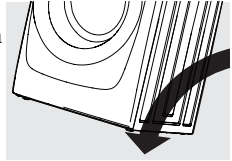
PELIGRO DE PESO EXCESIVO

Para evitar lesiones en la espalda o de otro tipo, la lavadora debe ser levantada o trasladada por más de una persona.

5. Retire la base de poliestireno extruido y el tapón de transporte y sepárelos.



6. Vuelva a colocar la lavadora con cuidado en posición vertical.



7. Desplace con cuidado la lavadora a una distancia inferior a 1 m (4 pies) de su ubicación final.



ADVERTENCIA

PELIGRO DE DESCARGA ELÉCTRICA

Determinadas piezas internas no han sido conectadas a tierra deliberadamente y pueden presentar riesgo de descarga eléctrica si se tocan durante la instalación.

No toque las siguientes piezas mientras el electrodoméstico está activado eléctricamente

- Bomba
- Motor de accionamiento
- Placas de control eléctrico
- Válvulas de agua



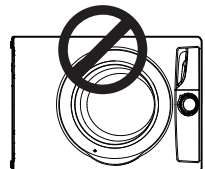
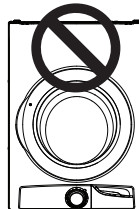
IMPORTANTE

Guarde la base de poliestireno extruido y el tapón de transporte para utilizarlos en futuros traslados de la lavadora y evitar daños.



IMPORTANTE

NO dé la vuelta a la lavadora ni la incline hacia su lado derecho bajo ningún concepto.



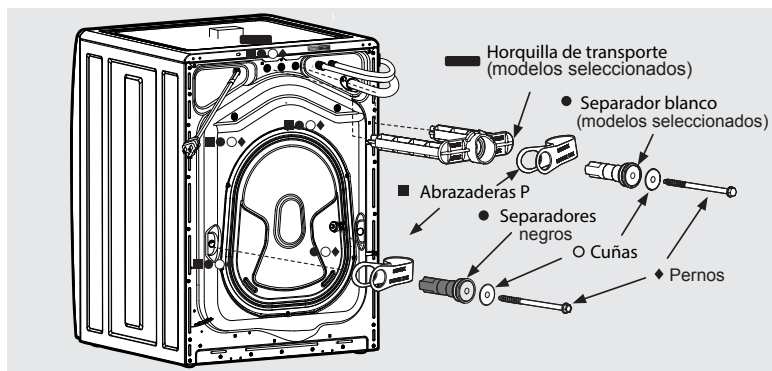
Retirada de los materiales de embalaje y envío



IMPORTANTE

No retirar todos los materiales de embalaje y envío podría provocar daños en el electrodoméstico y en su hogar u obtener resultados de lavado no esperados.

Guarde todos los separadores y pernos de transporte para su uso futuro. Si se tiene que transportar la lavadora en una fecha posterior, los materiales de embalaje y envío se deben instalar de nuevo para evitar daños.



Para la Serie 300:

Retire todo lo siguiente:

- ◆ 4 PERNOS
- 4 CUÑAS
- 4 SEPARADORES NEGROS
- 3 ABRAZADERAS P

Para Series 400, 500 y 600:

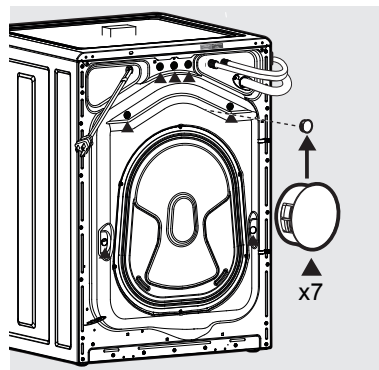
Retire todo lo siguiente:

- ◆ 5 PERNOS
- 5 CUÑAS
- 4 SEPARADORES NEGROS
- 4 ABRAZADERAS P
- 1 SEPARADOR BLANCO
- 1 HORQUILLA DE TRANSPORTE



NOTA

El material de expansión de caucho de los separadores puede necesitar tiempo para flexibilizarse antes de que se pueda estirar de ellos fácilmente a través del orificio de transporte.



Instalación de tapones

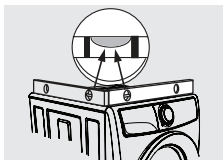
Localice los tapones en la bolsa pequeña suministrada con las guías de instrucciones de la lavadora. Introdúzcalos en los orificios del panel trasero de la lavadora donde se han retirado los materiales de embalaje y envío.

10 Instrucciones de instalación

Nivelación de su lavadora

Es posible evitar ruidos y vibraciones excesivas nivelando correctamente la lavadora.

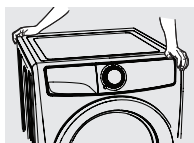
1. Para instalación independiente y con la lavadora a una distancia inferior a 1 m (4 pies) de su ubicación final, coloque un nivel en la parte superior de la lavadora.



2. Utilice la llave universal para ajustar las patas de nivelación de modo que la lavadora esté nivelada desde delante hacia atrás y de lado a lado, y estable de esquina a esquina.



3. Presione hacia abajo en distintas esquinas y lados para comprobar si existe el menor movimiento. Ajuste la(s) pata(s) correspondiente(s) de modo que la lavadora quede bien apoyada sobre LAS CUATRO patas. Mantenga al mínimo la extensión de la pata de nivelación para conseguir el mejor resultado de la lavadora.

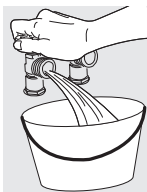


NOTA

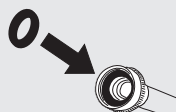
Para instalaciones sobre pedestal, consulte las instrucciones de instalación adicionales incluidas con el pedestal.

Conexión de la entrada de agua

1. Haga circular agua de las llaves de agua caliente y fría para vaciar las tuberías y eliminar partículas que podrían atascar los filtros de la válvula de agua y para determinar cuál es la llave de agua caliente y de fría.



2. Compruebe que las arandelas de goma de las mangueras de entrada estén bien colocadas.



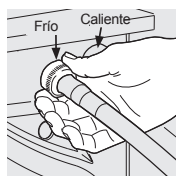
Arandelas de goma deben estar presentes

Utilice solamente las mangueras nuevas

NOTA

El precio de la lavadora no incluye mangueras. Consulte la sección "Accesorios" para ver los distintos kits de mangueras de entrada adecuados a su instalación concreta.

3. Conecte la manguera de entrada CALIENTE a la conexión de entrada CALIENTE y la manguera de entrada FRÍA a la conexión de entrada FRÍA de la lavadora.



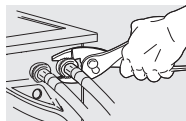
Entrada de agua fría mostrada a la izquierda (solo determinados modelos)

IMPORTANTE

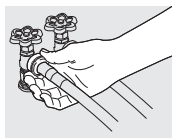
La entrada de agua fría dispondrá de una tapa azul en la conexión de entrada y la entrada de agua caliente tendrá una tapa roja en la conexión de entrada. Además, dependiendo del modelo, las conexiones de entrada caliente y fría estarán marcadas con una etiqueta adhesiva o marcas realizadas directamente en la unidad para indicar qué lado es frío y qué lado es caliente.

Apriete a mano hasta que queden bien ajustadas.

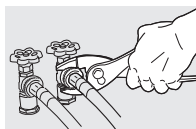
A continuación apriete cada conexión de suministro otros 2/3 de vuelta con los alicates. **Asegúrese de que el roscado sea correcto y no apriete en exceso estas conexiones.**



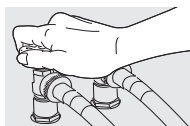
- Conecte la manguera de entrada CALIENTE al suministro de agua CALIENTE y la manguera de entrada FRÍA al suministro de agua FRÍA.



- Apriete a mano hasta que queden bien ajustadas. A continuación apriete cada conexión de suministro otros 2/3 de vuelta con los alicates. **NO doble, dañe ni pince las mangueras de entrada de agua.**



- Abra el agua y compruebe si hay pérdidas.

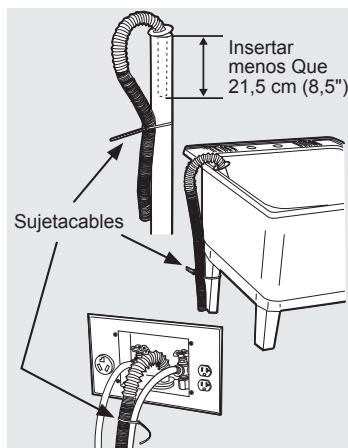


Conexión de desagüe y eléctrica

- Compruebe que el disco antisifón está en su sitio.



- Haga una forma de "U" en el extremo de la manguera de desagüe con la manguera apuntando hacia el desagüe. Coloque el extremo a que ha dado forma en una cuba de lavado o en una tubería vertical y fije la manguera de desagüe con la brida para cables (incluida en el paquete del conjunto) a la tubería vertical, manguera de entrada, cuba de lavado, etc. de modo que la manguera no se suelte por la fuerza del agua.



NOTA

El diámetro interior de la tubería vertical deberá ser de al menos 3,2 cm (1-1/4"). Tiene que haber una holgura entre la manguera de desagüe y la tubería vertical. Una manguera apretada puede provocar efecto de sifón.



IMPORTANTE

Compruebe que no haya corriente en un disyuntor/caja de fusibles antes de enchufar el cable en una toma de corriente.

- Enchufe el cable eléctrico a una toma de corriente conectada a tierra.



ADVERTENCIA

PELIGRO DE DESCARGA ELÉCTRICA

La conexión incorrecta del conductor de toma de tierra del equipo puede provocar una descarga eléctrica que podría resultar en lesiones graves o la muerte. Consulte a un electricista cualificado en caso de duda sobre si el aparato está adecuadamente conectado a tierra.

Consulte las secciones *Requisitos del sistema eléctrico* y *Requisitos de conexión a tierra* de estas instrucciones para obtener más información.

12 Instrucciones de instalación

4. Encienda el interruptor del disyuntor/ caja de fusibles.
5. Deslice cuidadosamente la lavadora hacia su posición definitiva. Vuelva a comprobar el nivel y empuje en las esquinas para comprobar la estabilidad. Consulte el apartado "**Nivelación de su lavadora**". Retire y deseche la cinta de la puerta.
6. Lea la Guía de uso y mantenimiento facilitada con la lavadora. Contiene valiosa información útil que le ahorrará tiempo y dinero.
7. Haga funcionar la lavadora durante un ciclo completo comprobando si hay pérdidas de agua y si todo funciona correctamente.
8. Si tiene alguna duda durante la instalación inicial, antes de llamar al servicio técnico consulte la "Lista de verificación de prevención de servicio técnico" que encontrará en su Guía de Uso y Mantenimiento.
9. Guarde estas instrucciones cerca de la lavadora para futuras consultas.



NOTA

Debajo del panel superior de la lavadora (encima del alojamiento del dispensador de detergente) se encuentra un esquema de cableado y una hoja de datos técnicos.

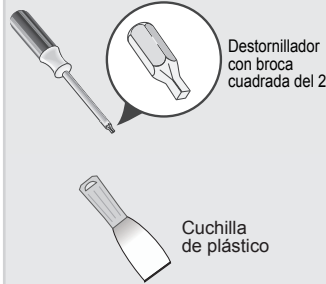
**NOTA**

El cambio de sentido de apertura de la puerta solo está disponible en modelos de las series 500 o 600.

**IMPORTANTE****ANTES DE CAMBIAR EL SENTIDO DE APERTURA DE LA PUERTA DE LA LAVADORA:**

1. Asegúrese de disponer de espacio adecuado para que oscile la puerta antes de su inversión.
2. Prepare las herramientas, incluido un destornillador con punta cuadrada nº 2 y un cuchillo de plástico (o una herramienta pequeña plana para hacer palanca y que no dañe la pintura).
3. Proteja la superficie del suelo de trabajo, como la parte superior de la lavadora o el suelo cercano a ésta, con un paño suave o una toalla.
4. ¡Asegúrese de que la lavadora no está enchufada a la alimentación eléctrica!

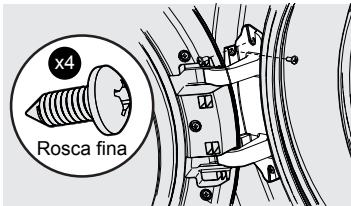
Herramientas necesarias para la inversión:

**ADVERTENCIA****PELIGRO DE DESCARGA ELÉCTRICA**

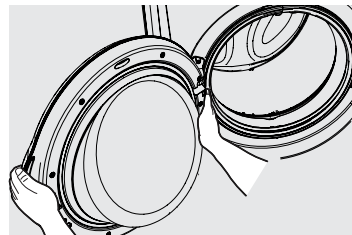
No desconectar la fuente de alimentación antes de realizar tareas de servicio puede provocar lesiones personales o incluso la muerte.

Desmontaje del conjunto de puerta

1. Abra completamente la puerta para que queden expuestos los cuatro tornillos de la bisagra.
2. Quite los cuatro tornillos con un destornillador de punta cuadrada nº 2. Guárdelos para instalarlos posteriormente.



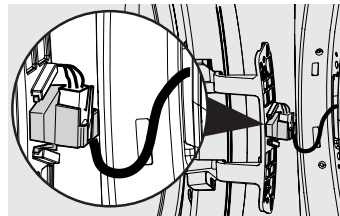
3. Sujete la puerta con una mano por la zona del tirador y la otra mano sujetando la bisagra. Mientras sujeta la puerta por la bisagra, presione con firmeza con la otra mano hasta que los pasadores de posicionamiento de la parte posterior de la placa de bisagras se desenganchen del panel frontal.



4. Mientras sujeta la puerta con una mano, apriete las pestañas para liberar la tapa de plástico del terminal de la placa de la bisagra.

**IMPORTANTE**

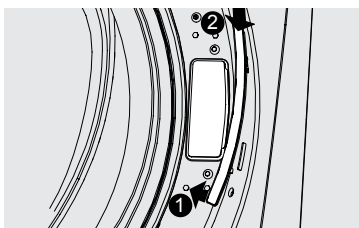
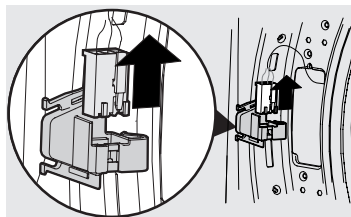
Tenga cuidado de no sacar la puerta hasta haber retirado la tapa del terminal del mazo de cables.



14 Puerta reversible

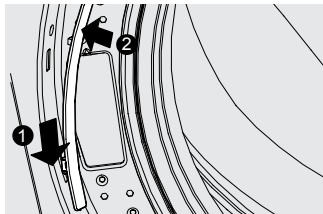
Desmontaje del conjunto de puerta (continuación)

5. Coloque la puerta hacia abajo sobre una superficie plana protegida por un paño suave o una toalla.
6. Libere el mazo de cables del retenedor de la tapa de plástico del terminal. Después, suelte el terminal de la propia tapa. Guarde la tapa para instalarla posteriormente.

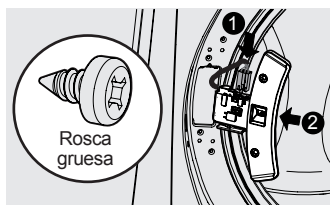


Reinstalación de la cerradura y de la cubierta

1. Desplace la cubierta hacia el otro lado del panel frontal. Coloque la cubierta de forma que el "gancho" esté en la parte inferior. Introduzca el gancho en la ranura inferior, deslice la tapa hacia abajo e introduzca a presión las pestañas de retención superiores hasta que queden enganchadas en su sitio.

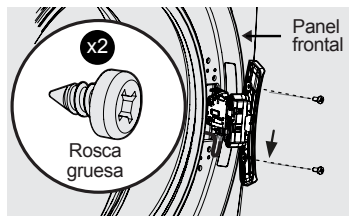


2. Inserte el mazo de cables en la cerradura.
3. Introduzca la cerradura en el panel frontal e instale de nuevo sus tornillos.



Retirada de la cerradura y de la cubierta de plástico

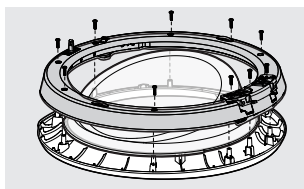
1. Localice y quiete los tornillos de la cerradura. Guarde los tornillos para después.
2. Gire la cerradura mientras tira de ella a través del panel frontal. Tenga cuidado de no tirar demasiado fuerte ni rápido, pues la cerradura todavía está sujeta al mazo de cables.



3. Desconecte el terminal del mazo de cables de la cerradura. Separe la cerradura para instalarla posteriormente.
4. Haga palanca hacia arriba en la parte inferior de la cubierta para liberarla del panel frontal. Es posible que tenga que utilizar un cuchillo de plástico que no rasguñe si no puede liberarla manualmente. Después, deslice ligeramente la cubierta hacia abajo y extraigala del panel frontal.

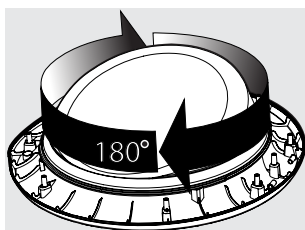
Conjunto de puerta reversible

1. Localice los nueve tornillos en el anillo interno de la puerta. Retire cada uno de ellos y guárdelos para instalarlos posteriormente. Quite la puerta interna (con bisagra) y colóquela aparte con cuidado.

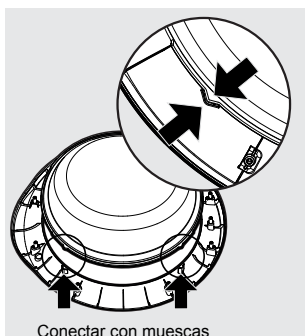


Montaje del conjunto de puerta (continuación)

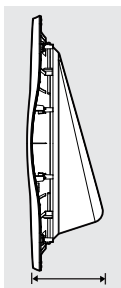
- Levante ligeramente la puerta de cristal y gírela 180 grados, asentándola de nuevo sobre la puerta externa.



- Asegúrese de que se acoplen las pestañas de alineamiento.

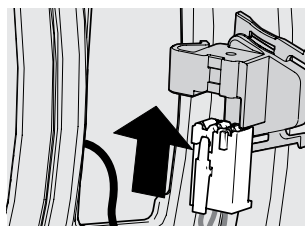


- Instale de nuevo la puerta interna en la puerta externa con los nueve tornillos que retiró anteriormente. Consulte la ilustración, Paso 1.
- Compruebe que la cuchara (sección más ancha) del cristal de la puerta está situada en la parte INFERIOR de la puerta.

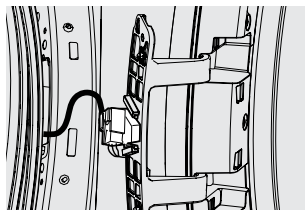


Reinstalación del conjunto de puerta

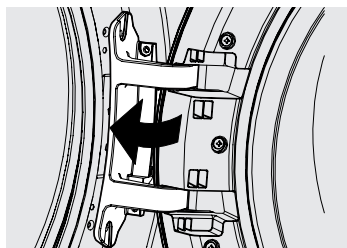
- Introduzca el terminal del mazo de cables en la tapa del terminal y envuelva el mazo dentro de su retenedor.



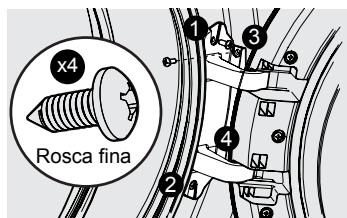
- Deslice la tapa del terminal sobre la parte posterior de la placa de bisagra hasta que las pestañas se enganchen en su sitio.



- Introduzca los pasadores de posicionamiento de la bisagra en el orificio que estaba tapado previamente con la cubierta de plástico. Presione sobre la cara de la bisagra para acoplar los otros pasadores en su sitio.



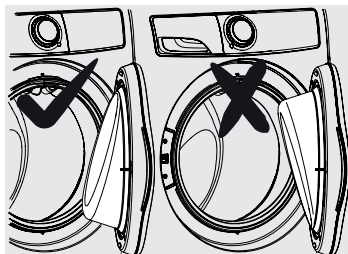
- Instale de nuevo los cuatro tornillos retirados anteriormente - primero, dos tornillos frontales y después, dos tornillos laterales.



16 Puerta reversible

Compruebe el funcionamiento de la puerta invertida

1. Pruebe si la puerta oscila libremente y con suavidad y que el pestillo sujeta bien cuando se cierra.
2. Verifique si el cristal de la puerta interna tiene la orientación correcta con la "cuchara" de la parte inferior.



3. Enchufe la lavadora y cierre la puerta. Pruebe el funcionamiento correcto de la cerradura iniciando un ciclo de prueba: la cerradura se debería acoplar y la puerta no se debería poder abrir hasta la cancelación o pausa del ciclo.

Accesorios

PEDESTAL DE ALMACENAMIENTO A JUEGO*

Pedestal blanco - Pieza nº EPWD257UIW
Pedestal titanio - Pieza nº EPWD257UTT

Para elevar la lavadora y facilitar su uso se puede utilizar un pedestal auxiliar diseñado especialmente para esta lavadora. El pedestal añadirá 38 cm (15") aproximadamente de altura a la unidad.

*Puede haber otros colores disponibles. Contacte con el establecimiento donde adquirió su lavadora.

KIT DE TORRE PARA SECADORA Pieza nº STACKIT7X

Dependiendo del modelo que haya comprado, en la compra inicial de su secadora es probable que se incluyera un kit para apilar o colocar en torre la secadora sobre esta lavadora. Si su modelo no incluía el kit de torre o desea otro kit más, puede pedir uno.

KITS DE MANGUERA DE ENTRADA

Llame al 866-233-8353 (en Canadá, 800-265-8352) para conocer los kits opcionales adecuados para sus necesidades de instalación concretas.

KIT ALARGADOR DE MANGUERA DE DESAGÜE Pieza nº 137098000

Para poder llegar a alturas o distancias de la tubería vertical superiores a la longitud de la manguera de desagüe suministrada, pida el Kit de alargador de manguera de desagüe.

LLAVE UNIVERSAL P/N 137019200

Para facilitar el ajuste de secadora/lavadora/pedestal hay disponible una llave universal.

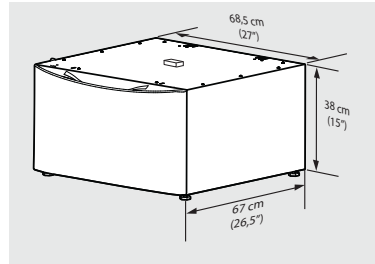
ROTULADORES DE PINTURA DE RETOQUE* Blanco - Pieza nº 5304468812 Titanio - Pieza nº 5304475700

*Puede haber otros colores disponibles. Contacte con el establecimiento donde adquirió su lavadora.

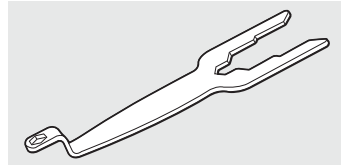


PRECAUCIÓN

Si no utiliza accesorios fabricados o autorizados por el fabricante, pueden producirse lesiones y daños materiales o daños en la lavadora.



Pedestal de almacenamiento



Llave universal para electrodomésticos

Piezas de recambio en EE.UU. y Canadá

En caso de necesitar piezas de respuestao para su secadora, puede contactar con el establecimiento donde la adquirió, llamar a 1-877-4ELECTROLUX (1-877-435-3287) en EE.UU. o 1-800-265-8352 en Canadá, o visitar nuestra página web, www.electroluxappliances.com en EE.UU. o www.electroluxappliances.ca en Canadá para encontrar el distribuidor de piezas de Electrolux más cercano.

electrolux.com/shop

