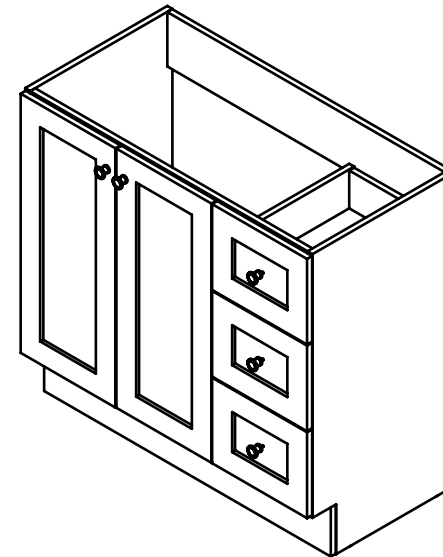
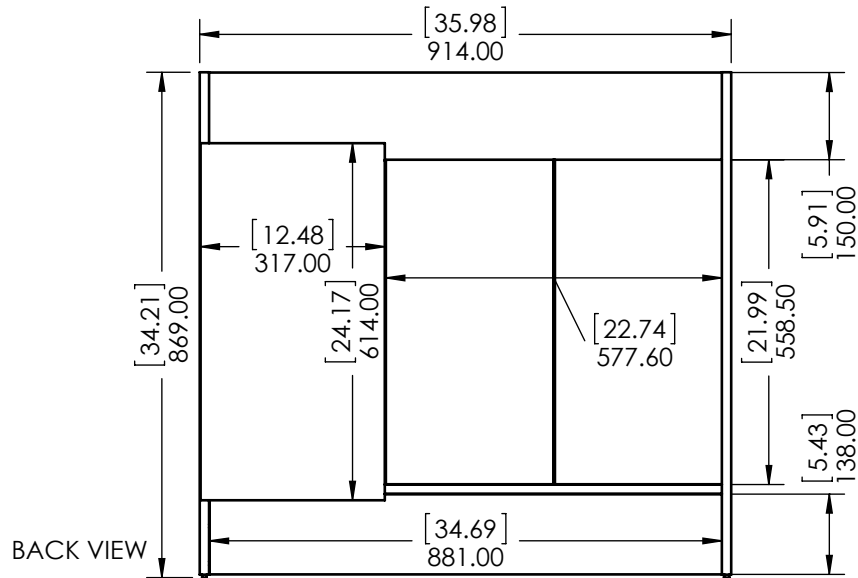
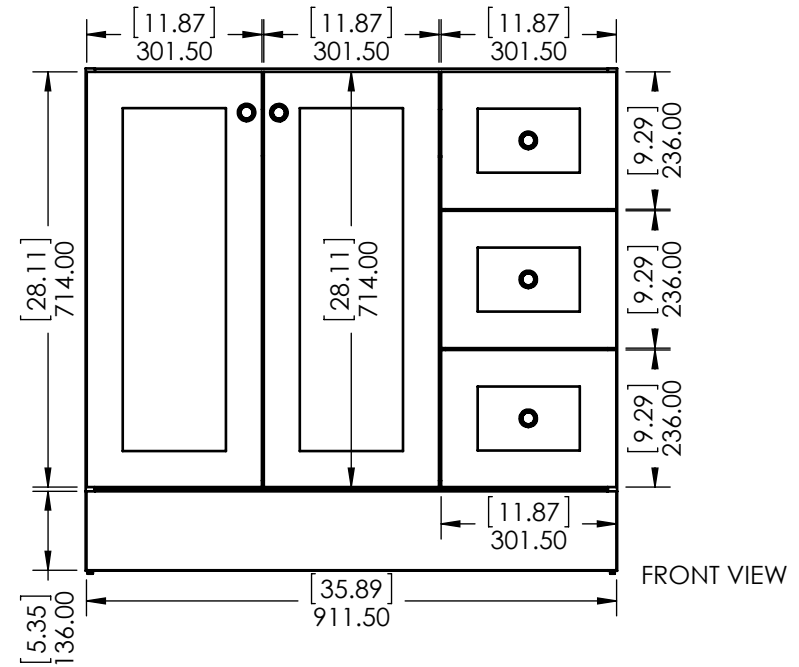
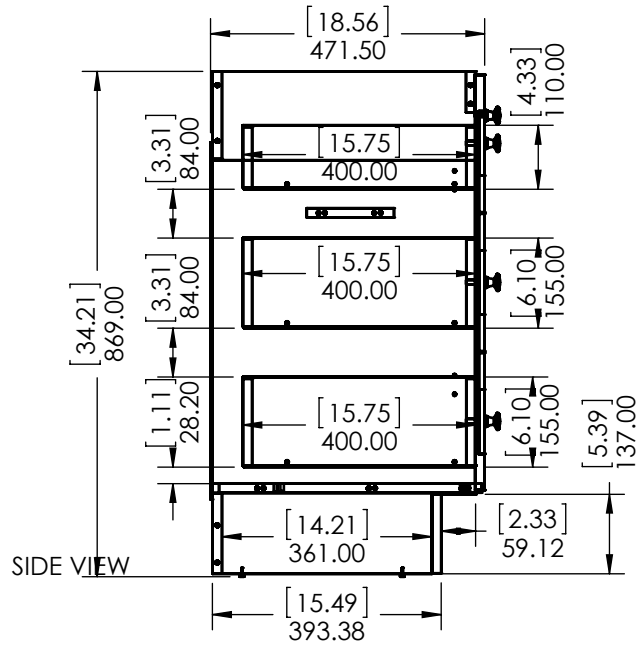


ITEM ID	DESCRIPTION
BN36P3-WH	Bannister 36in Vanity w/Vanity Top & Mirror - White
BA36P3-WH	Bannister 36in Vanity w/Vanity Top & Mirror - Top CP White

REV	ECO#	DESCRIPTION	REV'D BY DATE	CHK'D BY DATE	APRV'D BY DATE
0		New Release	IASV 12/5/17	IASV 12/5/17	IASV 12/5/17
0		New Release	IASV 12/14/17	IASV 12/14/17	IASV 12/14/17



ISOMETRIC VIEW



PROPRIETARY AND CONFIDENTIAL
 THE INFORMATION CONTAINED IN THIS DRAWING IS THE SOLE PROPERTY OF WOODCRAFTERS HOME PRODUCTS L.L.C. ANY REPRODUCTION IN PART OR AS A WHOLE WITHOUT THE WRITTEN PERMISSION OF WOODCRAFTERS HOME PRODUCTS L.L.C. IS PROHIBITED.

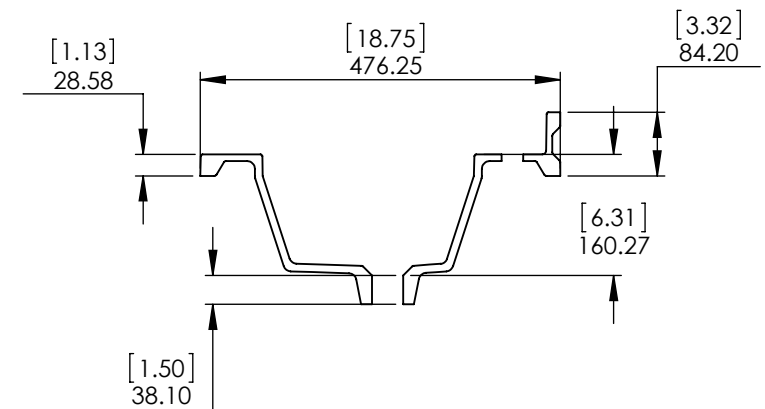
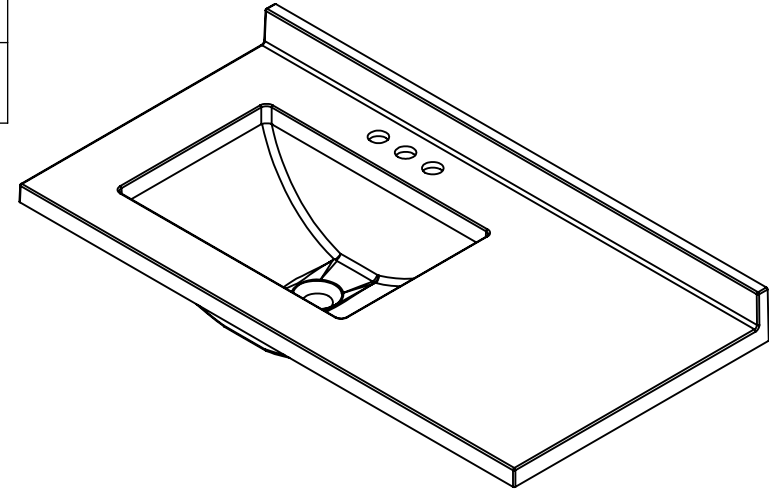
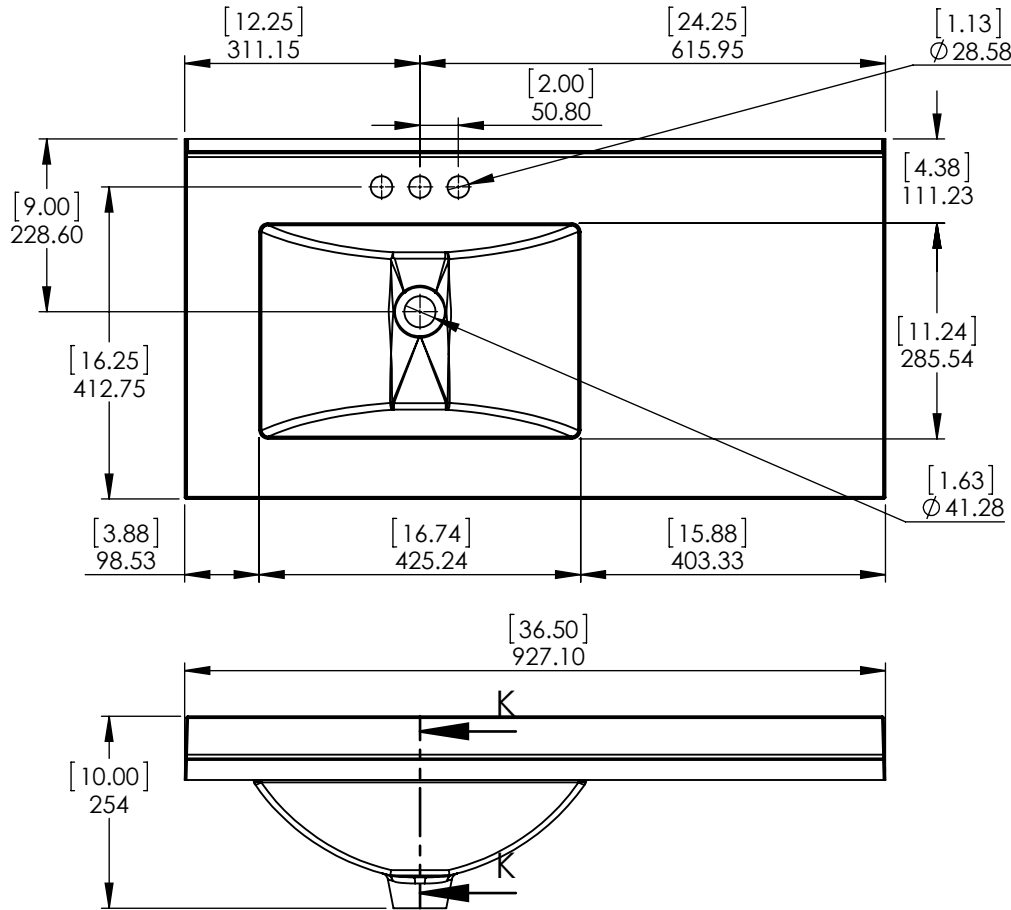
UNLESS OTHERWISE SPECIFIED
 DIMENSIONS ARE IN mm and [inches] AND TOLERANCES ARE +/- 1.0 [0.04]

DRAWN BY:	IASV	12/5/17
CHECKED BY:	IASV	12/5/17
APPROVED BY:	IASV	12/5/17
DO NOT SCALE DRAWING	SCALE: 1:10	SIZE: A

TITLE:	BANNISTER 36" (Shaker profile) ASSEMBLY	
PART NO:	PAGE	REV:
	1 OF 1	1

ID	Description	Technology	Status
595544	Vtop Rect 36.5x18.75 Offset Bitono CP Maui 4in	Color Point	Approved for production
595563	Vtop Rect 36.5x18.75 Offset Bitono SS Silver Ash 4in	Solid Surface	Approved for production
595567	Vtop Rect 36.5x18.75 Offset Bitono SS Titanium 4in	Solid Surface	Approved for production
595615	Vtop Rect 36.5x18.75 Offset Bitono CP White 4in	Color Point	Approved for production

Rev #	Approved by	Change
0	R. Rubio	Released
1	R. Rubio	New Model Added
2	R. Rubio	New Model Added
3	R. Rubio	New Model Added



NOTE: MAX. WARPAGE
TOLERANCE 1/8"

PROPRIETARY AND CONFIDENTIAL

THE INFORMATION CONTAINED IN THIS DRAWING IS THE SOLE PROPERTY OF WOODCRAFTERS. ANY REPRODUCTION IN PART OR AS A WHOLE WITHOUT THE WRITTEN PERMISSION OF WOODCRAFTERS IS PROHIBITED.

UNLESS OTHERWISE SPECIFIED:

DIMENSIONS ARE IN MM. AND (INCHES)

TOLERANCES ARE
+0.125 [3.175] -0.125 [-3.175]

SCALE:1:10

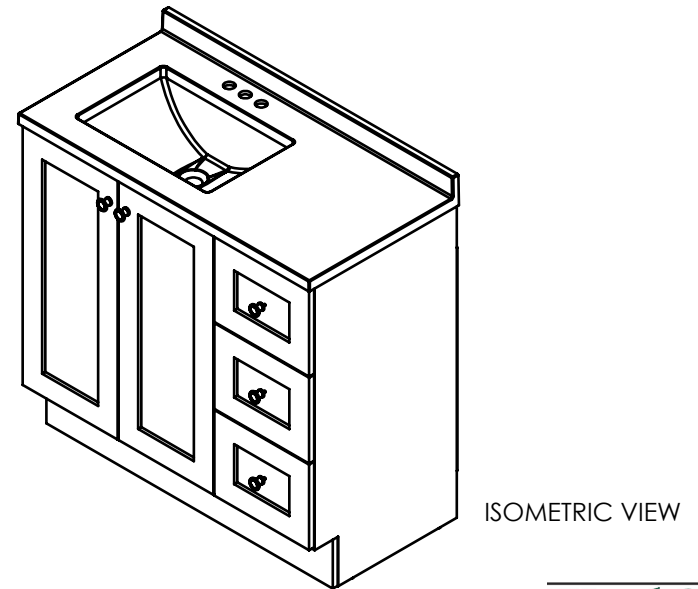
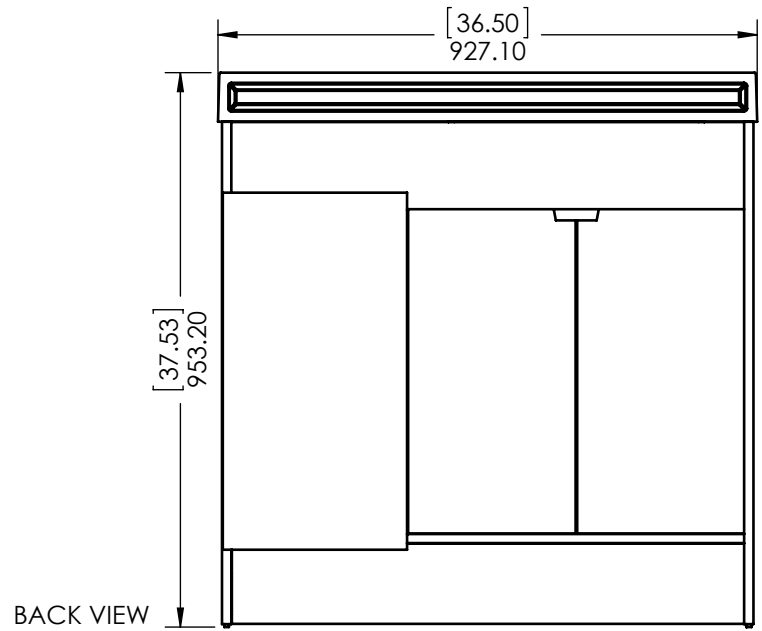
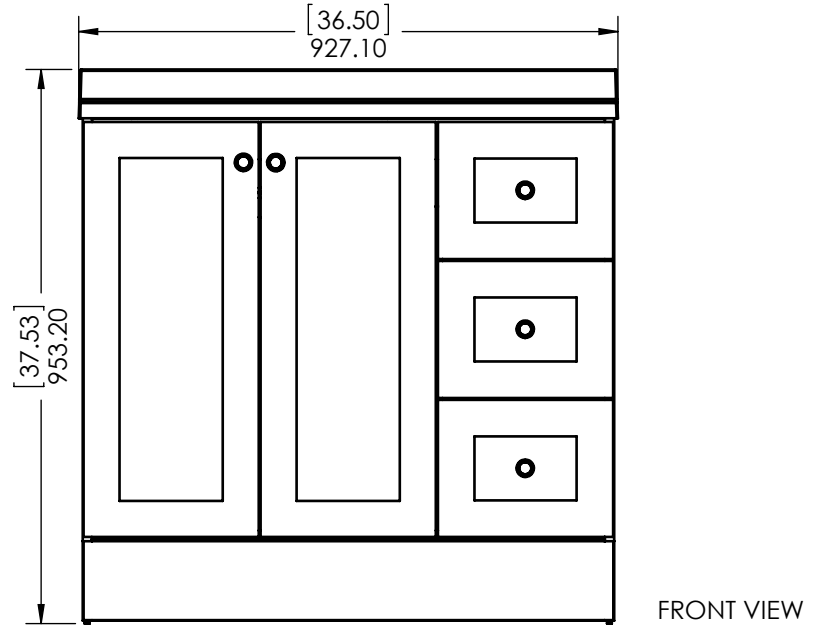
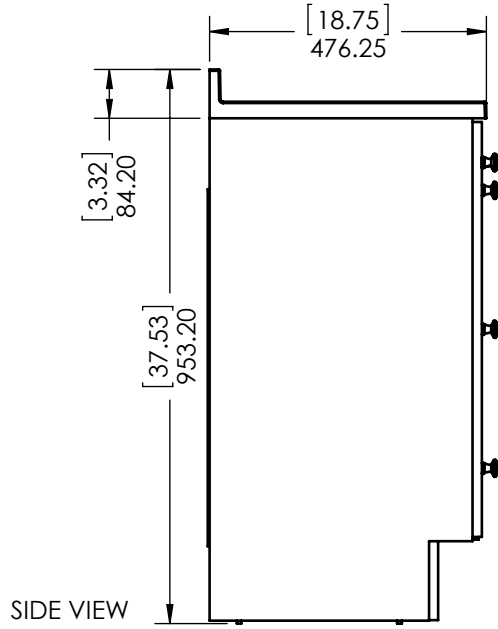
	NAME	DATE
DRAWN	R. Rubio	6/20/17
CHECKED	R. Rubio	6/20/17
ENG APPR.	R. Rubio	6/20/17
MFG APPR.	C. Leal	6/20/17



SIZE	DWG. NO.	SHEET 1 OF 1
A	Vtop Rect 36.5x18.75 Offset Bitono 4in	REV: 3

ITEM ID	DESCRIPTION
BA36P3-WH	Bannister 36in Vanity w/Vanity Top & Mirror - Top CP White

REV	ECO#	DESCRIPTION	REV'D BY DATE	CHK'D BY DATE	APRV'D BY DATE
0		New Release	IASV 12/14/17	IASV 12/14/17	IASV 12/14/17

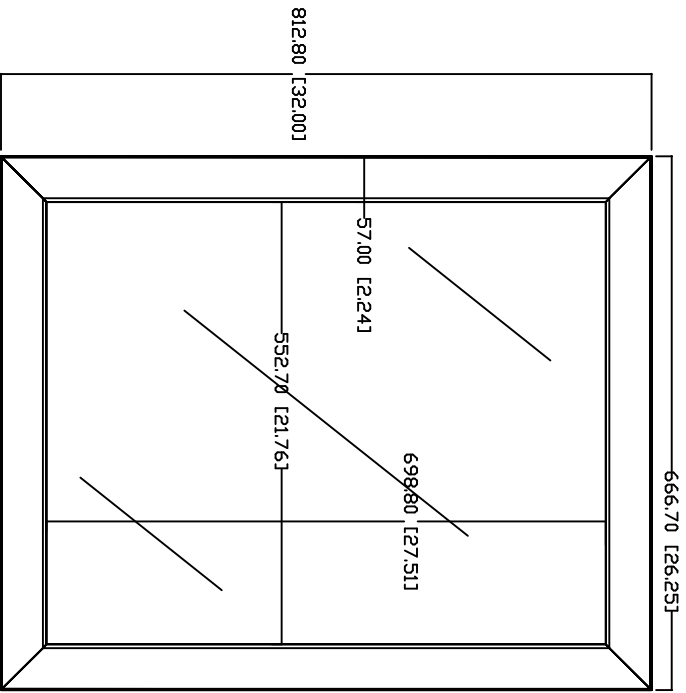
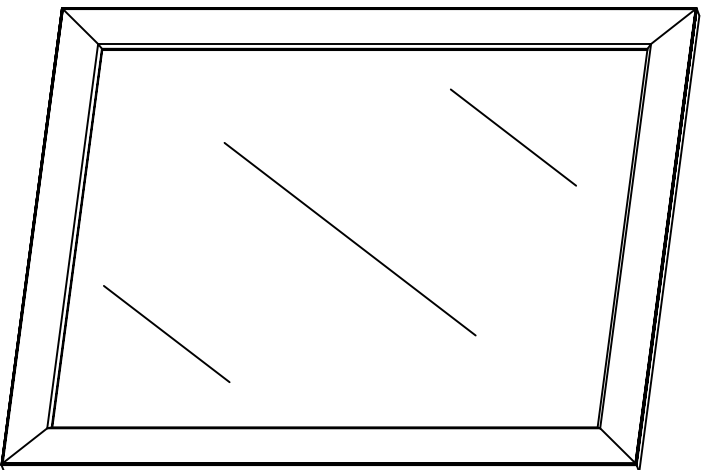
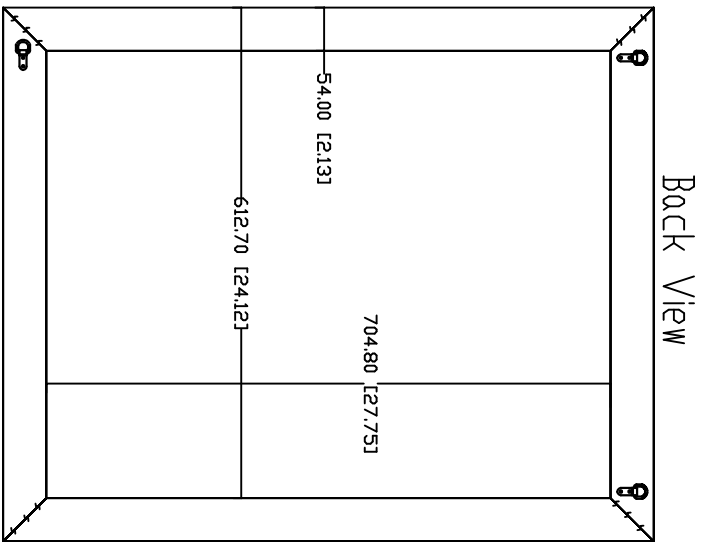


PROPRIETARY AND CONFIDENTIAL
 THE INFORMATION CONTAINED IN THIS DRAWING IS THE SOLE PROPERTY OF WOODCRAFTERS HOME PRODUCTS L.L.C. ANY REPRODUCTION IN PART OR AS A WHOLE WITHOUT THE WRITTEN PERMISSION OF WOODCRAFTERS HOME PRODUCTS L.L.C. IS PROHIBITED.

UNLESS OTHERWISE SPECIFIED
 DIMENSIONS ARE IN mm and [inches] AND TOLERANCES ARE +/- 1.0 [0.04]

DRAWN BY:	IASV	12/14/17
CHECKED BY:	IASV	12/14/17
APPROVED BY:	IASV	12/14/17
DO NOT SCALE DRAWING	SCALE: 1:10	SIZE: A

TITLE:	BANNISTER 36" (BA36P3-WH) ASSEMBLY		
PART NO:	PAGE	1 OF 1	REV: 0



UNLESS OTHERWISE SPECIFIED DIMENSIONS ARE IN mm AND [inches] 1mm [.04]

Name:	Date:
Drawn: C.A.H	
Checked: C.R.H	
Approved: C.A.H	

Title:	292821
Molding Wall Mirror	Rev 0
Form: V4-FRM04	Page 1 OF 1