

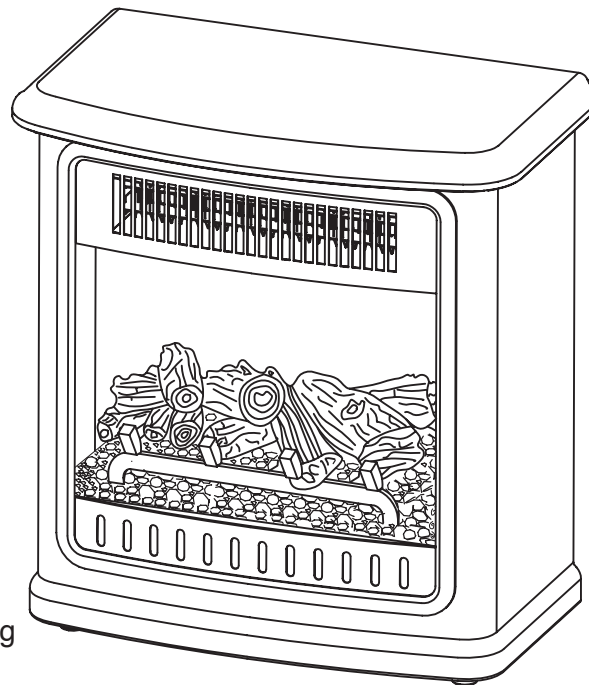
Item # 1003063392
1003063395
1003063396



Model # EST-13-10-Y
EST-13-50-Y
EST-13-60-Y

USE AND CARE GUIDE

MINI STOVE



Patent
pending



IMPORTANT INSTRUCTIONS

PLEASE READ THIS MANUAL BEFORE INSTALLING AND USING APPLIANCE

WARNING!

IF THE INFORMATION IN THIS MANUAL IS NOT FOLLOWED EXACTLY,
AN ELECTRICAL SHOCK OR FIRE MAY RESULT
CAUSING PROPERTY DAMAGE, PERSONAL INJURY OR LOSS OF LIFE.

INSTALLER: Leave this manual with the appliance.
CONSUMER: Retain this manual for future reference.

Questions, problems, missing parts? Before returning to the store,
call Hampton Bay Customer Service
8 a.m. - 6 p.m., EST, Monday - Friday

855-HD-HAMPTON HAMPTONBAY.COM

THANK YOU

We appreciate the trust and confidence you have placed in Hampton Bay through the purchase of this electric stove. We strive to continually create quality products designed to enhance your home. Visit us online to see our full line of products available for your home improvement needs. Thank you for choosing Hampton Bay!

Table of Contents

Table of Contents	2	Operation	7
Safety Information	3	Care and Maintenance	8
Warranty	5	Electric Wiring Diagram	9
Pre-Installation	6	Troubleshooting	10
Stove Dimensions	6	Replacement Parts	11
Installation	7		



IMPORTANT: Read all instructions and warnings carefully before starting installation. Failure to follow these instructions may result in a possible electric shock, injury to persons, fire hazard and will void the warranty.

Please read the Installation & Operating Instructions before using this appliance.



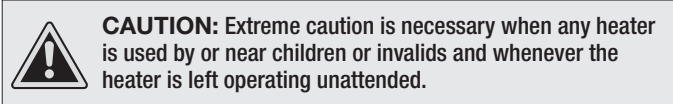
CAUTION

PRODUCT DAMAGE MAY OCCUR.
Never attempt to disassemble or alter the product in any way not instructed by this manual.

Safety Information

Please read and understand this entire manual before attempting to assemble, operate or install the product.

- Read all instructions before using this appliance.
- This appliance is hot when in use. To avoid burns, do not let bare skin touch hot surfaces. If provided, use handles when moving this appliance. Keep combustible materials, such as furniture, pillows, bedding, papers, clothes and curtains at least 3 ft. (914 mm) from the front of this appliance and keep them away from the sides and rear.



- If possible, always unplug this appliance when not in use.
- Do not operate any heater with a damaged cord or plug or after the appliance malfunctions, has been dropped or damaged in any manner.
- Any repairs to this appliance should be carried out by a qualified service person.
- Under no circumstances should this appliance be modified. Parts having to be removed for servicing must be replaced prior to operating this appliance again.
- Do not use outdoors.
- This heater is not intended for use in bathrooms, laundry areas and similar indoor locations. Never place this appliance where it may fall into a bathtub or other water container.
- Do not use this heater in elevated locations, such as on shelves, raised platforms, etc.
- Do not run the cord under carpeting. Do not cover the cord with throw rugs, runners or the like. Arrange the cord away from traffic areas and where it will not be tripped over.
- To disconnect this appliance, turn the controls to the off position, then remove the plug from the outlet.
- Connect to properly grounded outlets only.
- This appliance, when installed, must be electrically grounded in accordance with local codes, with the current CSA C22.1 Canadian Electrical codes or for USA installations, follow local codes and the National Electric Code, ANSI/NFPA No. 70.
- Do not insert or allow foreign objects to enter any ventilation or exhaust opening, as this may cause an electric shock, fire, or damage to the appliance.
- To prevent possible fire, do not block air intakes or exhaust in any manner. Do not use on soft surfaces, like a bed, where openings may become blocked.
- This appliance has hot and arcing or sparking parts inside. Do not use it in areas where gasoline, paint, or flammable liquids are used or stored. This appliance should not be used as a drying rack for clothing, nor should Christmas stockings or decorations be hung on or near it.
- Use this appliance only as described in this manual. Any other use not recommended by the manufacturer may cause fire, electric shock, or injury to persons.
- Always plug heaters directly into a wall outlet/receptacle. Always plug the unit into a wall outlet/receptacle. An extension cord or re-locatable power tap, (outlet/power strip), should never be used.
- Do not use this heater with missing, damaged, or broken legs.
- "SAVE THESE INSTRUCTIONS FOR FUTURE USE"

Safety Information (continued)

DANGER



ELECTRICAL CONNECTION

A 15-Amp, 120-Volt, 60 Hz circuit with a properly grounded outlet is required. Preferably, the item will be on a dedicated circuit as other appliances on the same circuit may cause the circuit breaker to trip or the fuse to blow when the heater is in operation. The unit comes standard with a 6 ft. (1.8 m) long three wire cord, exiting the right side of the item. Always plug the unit into a wall outlet/receptacle. An extension cord or re-locatable power tap, (outlet/power strip), should never be used.



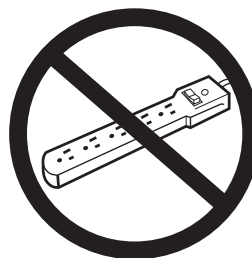
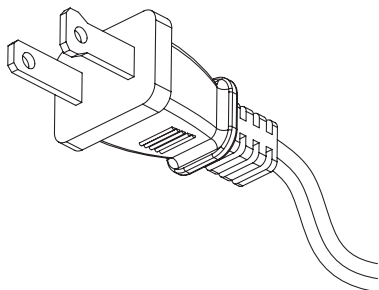
Electrical outlet wiring must comply with local building codes and other applicable regulations to reduce the risk of fire, electrical shock and injury to persons.



Do not use this item if any part of it has been under water. Immediately call a qualified service technician to inspect the item and replace any part of the electrical system which has been under water.

POLARIZED PLUG

This product is equipped with a polarized plug (one blade is wider than the other blade). To reduce the risk of electrical shock, this plug will fit into a polarized outlet only one way. This is a safety feature. If you are unable to insert the plug into the electrical outlet, try reversing the plug. If the plug still does not fit, contact a qualified electrician.



WARNING

This Product can expose you to chemicals including Di(2-ethylhexyl)phthalate (DEHP) which is known to the State of California to cause cancer and developmental harm.
For more information go to www.p65Warnings.ca.gov

Warranty

1-YEAR WARRANTY

WHAT IS COVERED

The manufacturer warrants that your new electric stove is free from manufacturing and material defects for a period of one year from date of purchase, subject to the following conditions and limitations.

This electric stove must be installed and operated at all times in accordance with the instructions furnished with the product. Any alteration, willful abuse, accident, or misuse of the product shall nullify this warranty. This warranty is non-transferrable, and is made to the original owner, provided that the purchase was made through an authorized supplier of the manufacturer. This warranty is limited to the repair or replacement of part(s) found to be defective in material or workmanship, provided that such part(s) have been subjected to normal conditions of use and service, after said defect is confirmed by the manufacturer's inspection. The manufacturer may, at its discretion, fully discharge all obligations with respect to this warranty by refunding the wholesale price of the defective part(s).

WHAT IS NOT COVERED

Any installation, labor, construction, transportation, or other related costs/expenses arising from defective part(s), repair, replacement, or otherwise of same, will not be covered by this warranty, nor shall the manufacturer assume responsibility for same. Further, the manufacturer will not be responsible for any incidental, indirect, or consequential damages, except as provided by law.

All other warranties - expressed or implied - with respect to the product, its components and accessories, or any obligations/liabilities on the part of the manufacturer are hereby expressly excluded. The manufacturer neither assumes, nor authorizes any third party to assume, on its behalf, any other liabilities with respect to the sale of this product. The warranties as outlined within this document do not apply to non-manufacturer accessories used in conjunction with the installation of this product.

This warranty does not cover the lightbulb(s) included with the fireplace.

This warranty is void if: the fireplace has been operated in atmospheres contaminated by chlorine, fluorine, or other damaging chemicals; the fireplace is subjected to prolonged periods of dampness or condensation; the fireplace is altered, willfully abused, damaged by accident, or misused in any way.

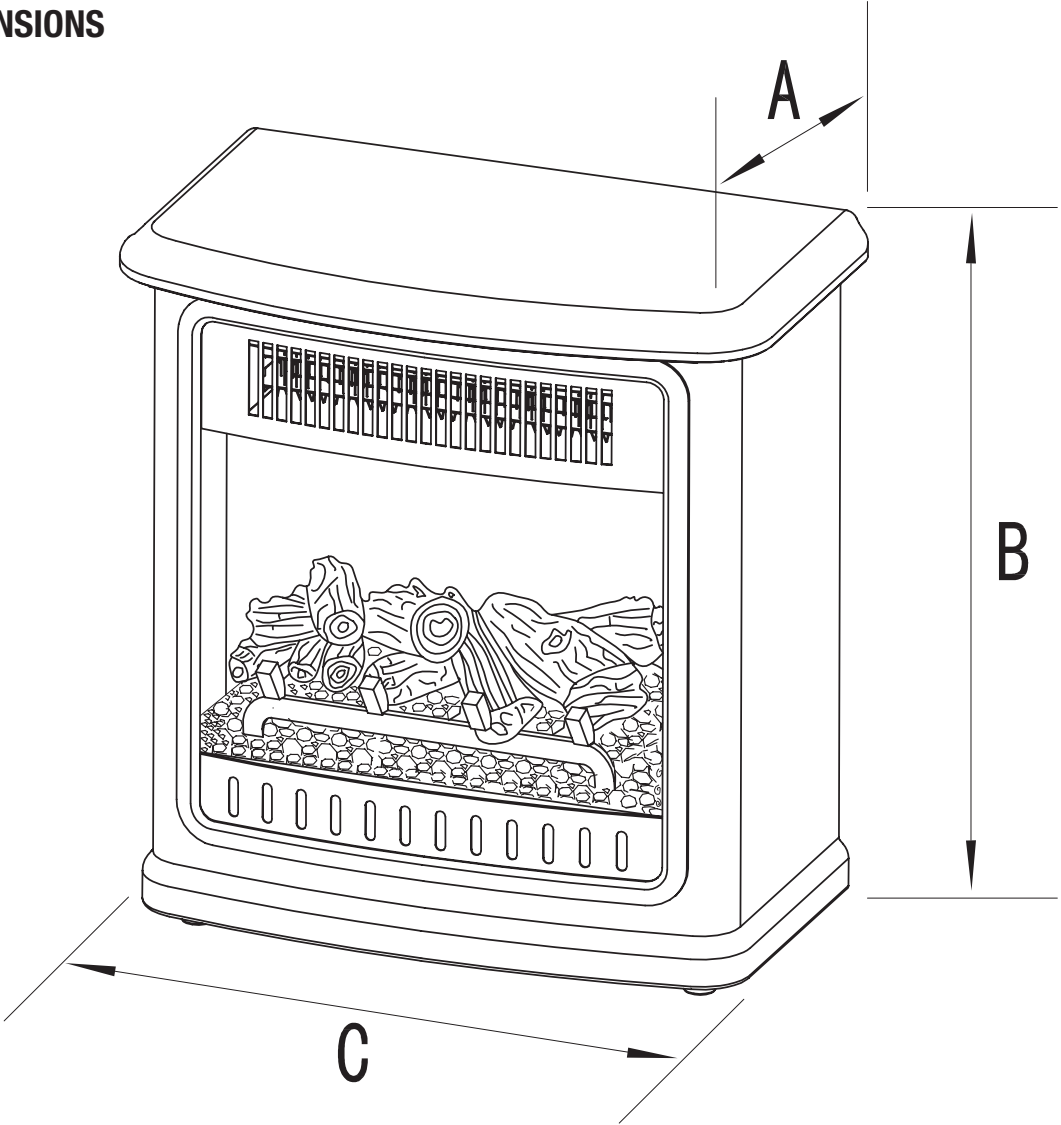
If warranty service is needed, contact the Customer Service Team at 855-HD-HAMPTON from 8 a.m. - 6 p.m., EST, Monday-Friday or visit www.hamptonbay.com.

Make sure you have your warranty, your sales receipt, and the model/serial number of your product.

DO NOT ATTEMPT TO DO ANY SERVICE WORK YOURSELF.

Pre-Installation

STOVE DIMENSIONS



Ref.	EST-13-10-Y, EST-13-50-Y, EST-13-60-Y
A	7.56 in. (19.2 cm)
B	13.9 in. (35.3 cm)
C	13 in. (33 cm)

Technical Specifications	
Voltage	120V AC
Frequency	60HZ
Amps	11.7A
Rating	1400W

Installation

The stove should be located in an area:

- Out of direct sunlight
- Not susceptible to moisture
- Away from uninsulated outside wall



WARNING

- The stove is heavy and should be assembled near its desired location.
- It is recommended that two people move the assembled stove to prevent injury.

Clearance to Combustibles

Sides	4 in. (101.6 mm)
Floor	0 in. (0 mm)
Top	36 in. (914 mm)
Front	36 in. (914 mm)
Rear	0 in. (0 mm)



WARNING

Do not install the unit on shelves, raised platforms, beds, blankets, pillows etc. Keep combustible materials such as furniture, bedding, papers, clothes and curtains at least 3 ft. (914 mm) from the stove.

Operation



Read All Instructions Before Use

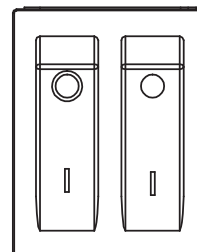
Check that the heater outlet grill is not covered or obstructed in anyway, and make sure the power to the unit is switched on.



NOTE: When the heat function is used for the first time, a slight odor may be present. This is normal and should not occur again unless the heater is not used for an extended period of time.

1 Using the Control Panel

- The control panel is located behind the door of the stove.
 - **Main Power Switch:** The Power  Switch supplies power to all of the functions of the stove. This switch must be in the ON position for any functions to work.
 - **Flame Effect:** Toggle the Power Switch ON. The Power indicator light will glow. The flame effect will be visible through the front glass.
 - **Temperature Knob:** Toggle the Temperature  Switch ON, to turn on the heater.



Maintenance

GLASS INFORMATION

- Under no circumstances should this product be operated with broken glass.
- Do not strike or slam the glass.
- Do not use abrasive cleaners to clean the glass.
- This product uses tempered glass. Replacement of the glass supplied by the manufacturer should be done by a qualified service person.

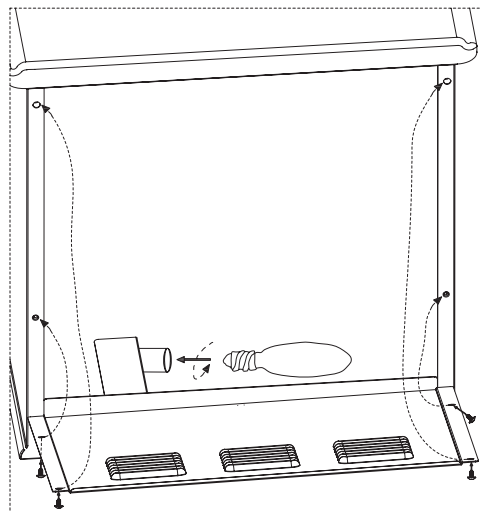
LIGHT BULB INSPECTION AND REPLACEMENT

The fame effect is created by one 25-Watt light bulbs with an E-12 (small) socket base. Use only this type of light bulb. If the fame effect does not work, the bulbs may have come loose or been damaged during shipping.



CAUTION: Light bulbs become very hot during use. Allow at least 10 minutes for the bulbs to cool before touching.

To inspect or replace the bulbs, first unplug the power cord from the outlet. Locate the back panel on the back of the stove. Remove the screws and the panel. Check the bulbs to be sure they are finger tight and in working order. Replace any damaged or faulty bulbs. Reattach the back panel. Do not operate this heater without the back panel in place.



WARNING: Do not exceed 25 watts per bulb. Use of higher rated bulbs may result in a fire, causing property damage or personal injury.

MOTOR MAINTENANCE

Always disconnect the appliance from the main power supply and allow it to cool before any servicing operation.

The motors used on the fan heater and flame blower are pre-lubricated for extended bearing life and require no further lubrication. However, periodic cleaning/vacuuming of the appliance around the air intake and exhaust, as well as the fan heater is recommended. For heavy or continuous use, periodic cleaning must be done more frequently. If the heater blows alternating cold and warm air, check the fan for free movement and for debris restricting air flow. If the fan does not move freely, the unit must be turned off and the fan replaced immediately in order to prevent further damage to the unit.

Care & Cleaning

Always turn the stove OFF and unplug the power cord from the outlet before cleaning. Use a vacuum or duster to remove dust and dirt from the heater and vent areas. To maintain the finish, clean with a soft, slightly damp cloth and buff with a dry cloth. Never use abrasive cleansers, liquid sprays, or any cleaner that could scratch the surface.

Electric Wiring Diagram

 **DANGER**



Disconnect power before servicing.

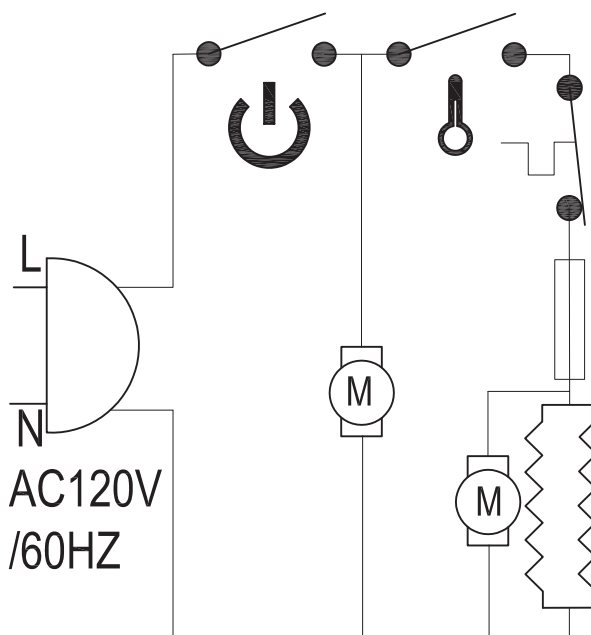


Any electrical re-wiring of this appliance must be done by a qualified electrician. This wiring must be done in accordance with local codes and/or in Canada with the current CSA C22.1 Canadian Electrical Code, and for US installations, the National Electrical Code ANSI/NFPA NO 70.



If repairing or replacing any electrical component or wiring, the original wire routing, color coding and securing locations must be followed.

CIRCUIT DIAGRAM



WARNING: Disconnect power before servicing.

Troubleshooting

If you have any questions regarding the product, please call Hampton Bay Customer Service, 855-HD-HAMPTON, 8 a.m. – 6 p.m. EST, Monday – Friday.

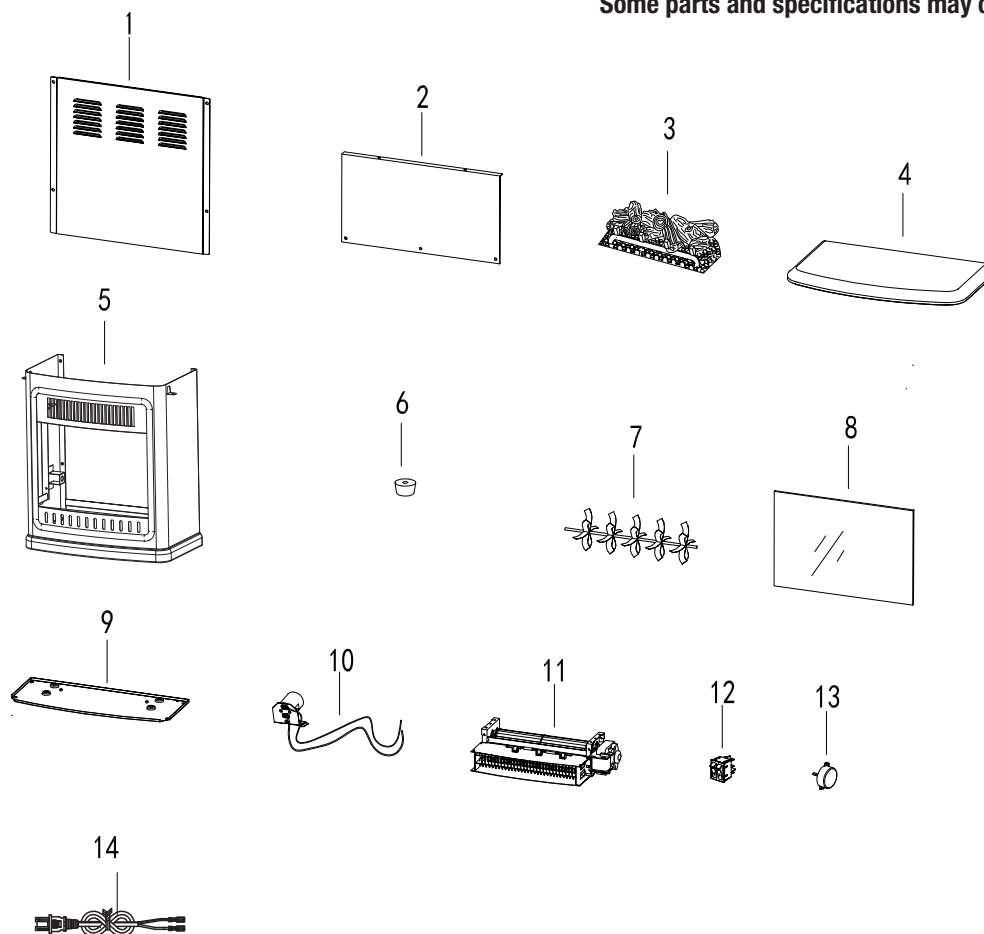
Problem	Possible Cause	Corrective Action
The stove does not operate.	<ul style="list-style-type: none"> <input type="checkbox"/> The stove is not plugged in. <input type="checkbox"/> A circuit breaker is tripped or a fuse blown. <input type="checkbox"/> The ON/OFF switch is defective. <input type="checkbox"/> There is loose wiring. 	<ul style="list-style-type: none"> <input type="checkbox"/> Make sure the fireplace is plugged in to a standard 120V outlet. <input type="checkbox"/> Check additional appliances on the circuit; ideally the fireplace should be on a dedicated 15-amp circuit. <input type="checkbox"/> Call customer service. <input type="checkbox"/> Call customer service.
The power light is ON but the flame effect is not visible.	<ul style="list-style-type: none"> <input type="checkbox"/> The stove is not operating correctly. <input type="checkbox"/> There are loose light bulb(s). <input type="checkbox"/> There are burnt out light bulb(s). 	<ul style="list-style-type: none"> <input type="checkbox"/> Refer to the operating instructions. <input type="checkbox"/> Tighten the light bulb(s). <input type="checkbox"/> Replace the light bulb(s).
The heater is not operating.	<ul style="list-style-type: none"> <input type="checkbox"/> The stove is not operating correctly. <input type="checkbox"/> The heater switch is defective. <input type="checkbox"/> The heater assembly is defective. <input type="checkbox"/> There is loose wiring. <input type="checkbox"/> The vents are dirty or clogged. 	<ul style="list-style-type: none"> <input type="checkbox"/> Refer to the operating instructions. <input type="checkbox"/> Call customer service. <input type="checkbox"/> Call customer service. <input type="checkbox"/> Call customer service. <input type="checkbox"/> Unplug the unit. Clear the vent area of dust and debris. Wait ten minutes, plug the unit in again and turn on the heater.
There is excessive noise when the heater is operating.	<ul style="list-style-type: none"> <input type="checkbox"/> The fan is defective. <input type="checkbox"/> The heater assembly is defective. 	<ul style="list-style-type: none"> <input type="checkbox"/> Call customer service. <input type="checkbox"/> Call customer service.

Replacement Parts

If you have any questions regarding the product, please call Hampton Bay Customer Service, 855-HD-HAMPTON, 8 a.m. – 6 p.m. EST, Monday – Friday.

Ref.	Description	EST-13-10-Y	EST-13-50-Y	EST-13-60-Y
1	Back panel		EFEST1310001	
2	Screen		EFEST1310002	
3	Logset		EFEST1310003	
4	Top panel	EFEST1310004	EFEST1350001	EFEST1360001
5	Cabinet Panel	EFEST1310005	EFEST1350002	EFEST1360002
6	leg	EFEST1310015	EFEST1350004	EFEST1360004
7	Flame reflector		EFEST1310007	
8	Glass		EFEST1310008	
9	Lower Top		EFEST1310009	
10	Lamp Socket & Bracket		EFEST1310010	
11	Fan Heater		EFEST1310011	
12	Switch		EFEST1310012	
13	Motor		EFEST1310013	
14	Power cord & connector		EFEST417018ST	

Some parts and specifications may change without notice.





Questions, problems, missing parts? Before returning to the store,
call Hampton Bay Customer Service
8 a.m.-6 p.m., EST, Monday-Friday

855-HD-HAMPTON

HAMPTONBAY.COM

Retain this manual for future use.

Manufactured by: GHP Group, Inc. • 6440 W. Howard St. • Niles, IL 60714-3302

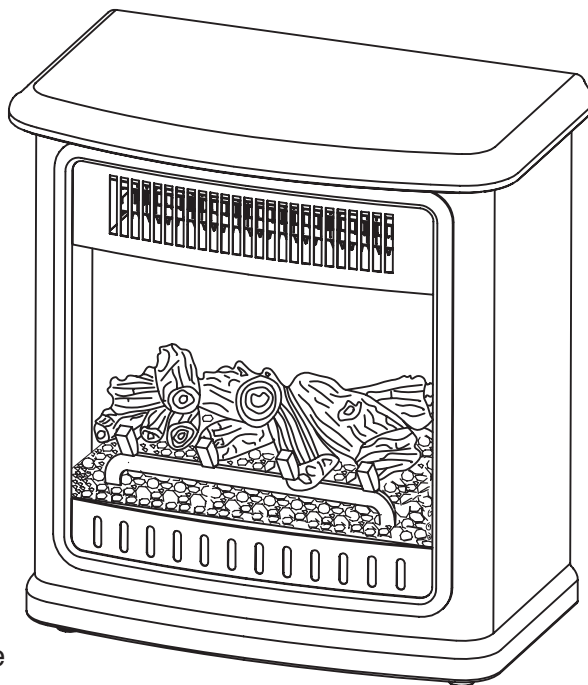
Article # 1003063392
1003063395
1003063396



Modèle # EST-13-10-Y
EST-13-50-Y
EST-13-60-Y

GUIDE D'UTILISATION ET D'ENTRETIEN

POÊLE MINIATURE



Brevet
en instance



INSTRUCTIONS IMPORTANTES

LISEZ CE MANUEL AVANT D'INSTALLER ET D'UTILISER L'APPAREIL

AVERTISSEMENT!

NE PAS RESPECTER SCRUPULEUSEMENT LES DIRECTIVES CONTENUES DANS
CE GUIDE PEUT OCCASIONNER UN CHOC ÉLECTRIQUE OU UN INCENDIE ET
CAUSER DES DOMMAGES MATÉRIELS, DES BLESSURES OU LA MORT.

AVIS À L'INSTALLATEUR : laissez ce manuel avec l'appareil.

AVIS À L'UTILISATEUR : conservez ce manuel pour les références ultérieures.

Questions, problèmes, pièces manquantes? Avant de retourner au magasin,
appelez le service à la clientèle de Hampton Bay de 8h à 18h,
heure normale de l'Est, du lundi au vendredi

855-HD-HAMPTON HAMPTONBAY.COM

MERCI

Nous apprécions la confiance que vous faites à Hampton Bay par l'achat de ce jeu de poêle miniature. Nous nous efforçons de créer continuellement des produits de qualité conçus pour améliorer votre maison. Visitez-nous en ligne pour voir notre gamme complète de produits disponibles pour vos besoins de rénovation. Merci d'avoir choisi Hampton Bay!

Table des matières

Table des matières	14	Utilisation	19
Mesures de sécurité	15	Maintenance	20
Garantie	17	Schéma de câblage électrique.....	21
Pré-Installation	18	Dépannage	22
Dimensions du foyer	18	Pièces de rechange	23
Installation	19		



IMPORTANT : Lisez attentivement toutes les instructions et mises en garde avant de commencer l'installation.
Le non-respect de ces instructions peut entraîner un choc électrique, des blessures, un risque d'incendie et annuler la garantie.

Lisez les instructions d'installation et d'utilisation avant d'utiliser cet appareil.



MISE EN GARDE

LE PRODUIT PEUT ÊTRE ENDOMMAGÉ.

N'essayez jamais de démonter ou de modifier l'appareil d'une manière non indiquée dans ce manuel.

Mesures de sécurité

Lisez ce manuel avant d'installer et d'utiliser l'appareil.

- Lisez toutes les instructions avant d'utiliser cet appareil.
- Cet appareil devient chaud lorsqu'il est utilisé. Afin d'éviter les brûlures, faites en sorte que la peau nue n'entre pas en contact avec les surfaces chaudes. Si l'appareil est muni de poignées, utilisez-les pour le déplacer. Gardez les matériaux combustibles tels que les meubles, les oreillers, la literie, le papier, les vêtements et les rideaux à une distance d'au moins 914 mm (3 pi) du devant de l'appareil.



MISE EN GARDE : Faites preuve d'une extrême prudence lorsqu'un radiateur est utilisé par ou à proximité des enfants ou des personnes handicapées et lorsque vous laissez le radiateur en fonction sans surveillance.

- Si possible, débranchez toujours cet appareil lorsqu'il n'est pas utilisé.
- N'utilisez pas un appareil de chauffage dont le cordon d'alimentation ou la fiche est endommagé(e) ou encore si l'appareil ne fonctionne plus correctement, s'il a été échappé ou s'il est endommagé de quelque manière que ce soit.
- Toute réparation de cet appareil doit être confiée à un technicien qualifié.
- En aucun cas cet appareil ne peut être modifié. Les pièces qui doivent être retirées pour assurer l'entretien doivent être remises en place avant toute réutilisation de cet appareil.
- Ne l'utilisez pas à l'extérieur.
- Cet appareil de chauffage n'est pas conçu pour être utilisé dans les salles de bain, les buanderies ou dans tout autre endroit intérieur similaire. Ne placez jamais cet appareil là où il pourrait tomber dans une baignoire ou tout autre contenant rempli d'eau.
- Ne placez jamais cet appareil en position élevée, par exemple sur une étagère, une plate-forme surélevée, etc.
- Ne faites pas passer le cordon d'alimentation sous une moquette. Ne recouvrez pas le cordon d'alimentation de tapis, de couloir ou autres objets semblables. Placez le cordon d'alimentation à l'écart des endroits passants, là où il sera impossible de trébucher dessus.
- Pour débrancher cet appareil, mettez d'abord les commandes en position d'arrêt, puis retirez la fiche de la prise de courant.
- Branchez uniquement sur des prises de courant correctement mises à la terre.
- Lors de l'installation, veillez à ce que le foyer soit mis à la terre conformément aux codes locaux, à la plus récente version du Code canadien de l'électricité, CSA C22.1 ou, dans le cas des installations aux É.-U., aux codes locaux et au code national de l'électricité, ANSI/NFPA N° 70.
- N'insérez ou ne laissez aucun objet pénétrer dans les bouches d'aération ou de sortie d'air de l'appareil, car ceci pourrait entraîner un choc électrique, un incendie ou endommager l'appareil.
- Afin de prévenir les risques d'incendie, n'obstruez d'aucune manière les prises ou les sorties d'air. Évitez d'utiliser l'appareil sur une surface molle, comme un lit, où les ouvertures pourraient être obstruées.
- Cet appareil comporte des pièces chaudes produisant des décharges électriques ou des étincelles à l'intérieur. Évitez d'utiliser cet appareil dans un endroit où sont entreposés ou utilisés des liquides inflammables tels que de l'essence, de la peinture ou autres. Cet appareil ne doit pas être utilisé comme un séchoir pour le linge, et ni bas de Noël, ni décorations ne peuvent y être accrochés ou placés tout près.
- Utilisez cet appareil en vous conformant strictement aux instructions contenues dans ce guide. Toute autre forme d'utilisation non conforme aux instructions du fabricant pourrait entraîner des incendies, des chocs électriques ou des blessures corporelles.
- Branchez toujours les appareils de chauffage directement dans une prise de courant murale. Branchez toujours l'appareil sur une prise murale. N'utilisez jamais de rallonge ni de prise mobile (barre d'alimentation).
- N'utilisez pas cet appareil si des pieds manquent, sont endommagés ou cassés.
- «CONSERVEZ CES INSTRUCTIONS»

Information de sécurité (suite)



BRANCHEMENT ÉLECTRIQUE

Un circuit de 15 A, 120 V, 60 Hz correctement mis à la terre est requis. Il est préférable de réserver un circuit à l'appareil, car d'autres appareils alimentés par le même circuit pourraient causer le déclenchement du disjoncteur ou faire griller le fusible lorsque le radiateur est en fonction. L'appareil est muni d'un cordon trifilaire de 1,8 m (6 pi) qui se trouve du côté droit du foyer. Branchez toujours l'appareil directement sur une prise murale. N'utilisez jamais de rallonge ni de prise mobile (barre d'alimentation).



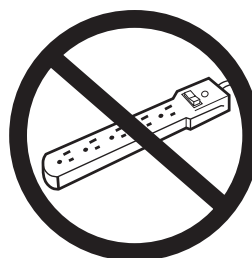
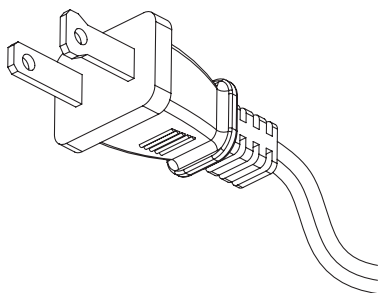
Le câblage de la prise électrique doit être conforme aux codes du bâtiment locaux et à toute autre réglementation applicable afin de réduire le risque d'incendie, de choc électrique ou de blessure.



N'utilisez pas ce foyer si une partie a été immergée. Appelez immédiatement un technicien qualifié qui inspectera le foyer et remplacera toute pièce du circuit électrique qui a été immergée.

FICHE POLARISÉE

Cet appareil est muni d'une fiche polarisée (une lame est plus large que l'autre). Pour réduire le risque d'électrocution, cette fiche ne peut être insérée dans une prise polarisée que dans un seul sens. Ceci est une mesure de sécurité. Si vous n'arrivez pas à insérer la fiche dans la prise de courant, inversez la fiche. Si la fiche ne s'insère toujours pas, contactez un électricien qualifié.



AVERTISSEMENT

Ce produit peut vous exposer à des substances chimiques comme le phtalate de dioctyle (DEHP), reconnu dans l'État de Californie comme causant le cancer et des troubles du développement.

Pour plus de renseignements, visitez le www.p65Warnings.ca.gov

Garantie

GARANTIE LIMITÉE D'UN (1) AN

CE QUI EST COUVERT

Le fabricant garantit que votre nouveau foyer électrique est exempt de défauts de matériau et de fabrication pour une période d'un an à compter de la date d'achat, sous réserve des conditions et limitations suivantes.

Ce foyer électrique doit être installé et fonctionner en tout temps conformément aux instructions fournies avec le produit. Toute altération, abus volontaire, accident ou mauvais usage du produit annulera cette garantie. Cette garantie n'est pas transférable et est faite au propriétaire d'origine, à condition que l'achat a été effectué par l'intermédiaire d'un fournisseur agréé du fabricant. Cette garantie est limitée à la réparation ou au remplacement de la pièce qui comporte un défaut de matériel ou de fabrication, à condition que cette pièce ait été soumise à des conditions normales d'utilisation et de service, après que ledit défaut soit confirmé par l'inspection du fabricant. Le fabricant peut, à sa discrétion, assumer pleinement toutes ses obligations à l'égard de cette garantie en remboursant le prix de gros de la pièce défectueuse.

CE QUI N'EST PAS COUVERT

Tous frais d'installation, de main-d'œuvre, de fabrication, de transport ou tous frais ou dépenses connexes occasionnés par des pièces défectueuses, leur réparation, leur remplacement ou toute autre action de nature similaire, ne sont pas couverts par cette garantie, et le fabricant ne peut en aucun cas en être tenu responsable. En outre, le fabricant ne pourra être tenu responsable de tous dommages immatériels ou indirects, sauf dans les cas prévus par la loi.

Toutes les autres garanties - expresses ou implicites - en ce qui a trait au produit, ses composants et accessoires, ou toutes les obligations ou responsabilités de la part du fabricant sont expressément exclues. Le fabricant n'assume, et n'autorise aucun tiers à assumer en son nom, toute autre responsabilité relativement à la vente de ce produit. Les garanties décrites dans le présent document ne s'appliquent pas aux accessoires, autres que ceux du fabricant, utilisés en conjonction avec l'installation de ce produit.

Cette garantie ne couvre pas les ampoules incluses avec le foyer.

Cette garantie est nulle si : le foyer a été utilisé dans une atmosphère contaminée par du chlore, du fluor, ou autres produits chimiques nuisibles; le foyer est soumis à des périodes prolongées d'humidité ou de condensation; le foyer est modifié, sciemment abusé, endommagé par accident, utilisation abusive de quelque façon.

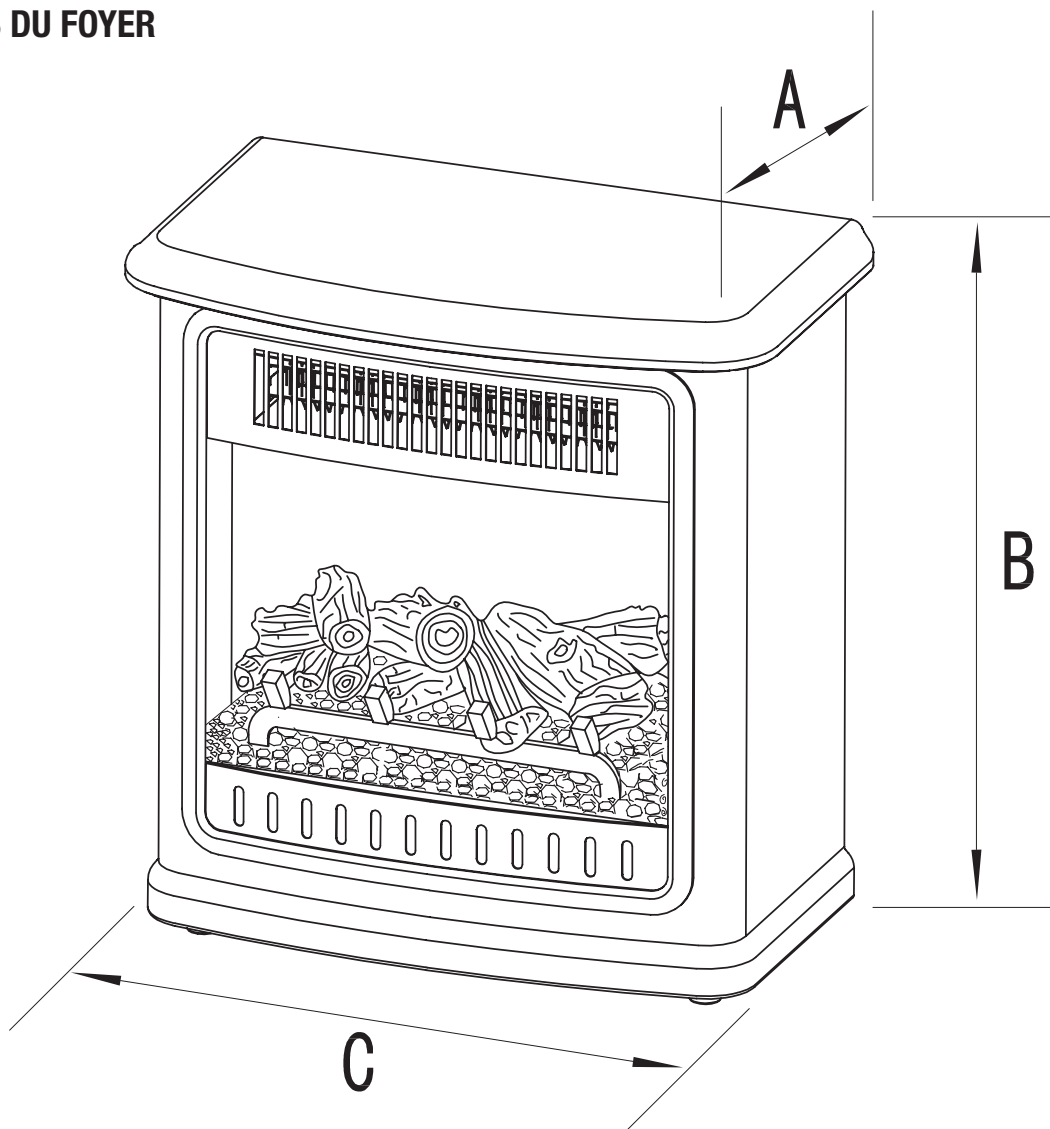
Si une réparation sous garantie est nécessaire, contactez l'équipe de Service à la clientèle au 855-HD-HAMPTON de 8 h - 18 h, heures normales de l'Est, du lundi au vendredi ou visitez www.hamptonbay.com.

Assurez-vous d'avoir votre garantie, votre reçu de vente et le modèle/numéro de série de votre produit.

NE PAS TENTER DE FAIRE TOUT TRAVAIL D'ENTRETIEN VOUS-MÊME.

Pré-installation

DIMENSIONS DU FOYER



Ref.	EST-13-10-Y, EST-13-50-Y, EST-13-60-Y
A	19,2 cm (7,56 po.)
B	35,3 cm (13,9 po.)
C	33 cm (13 po.)

Caractéristiques techniques	
Tension	120V AC
Fréquence	60HZ
Intensité max	11.7A
Puissance nominale du chauffage	1400W

Installation

Le foyer devrait être situé dans un endroit :

- Non exposé à la lumière directe du soleil
- Protégé de l'humidité
- Éloigné de tout mur extérieur non isolé.



MISE EN GARDE

- Le foyer est lourd et devrait être assemblé près de son emplacement.
- Il est conseillé de se mettre à deux pour déplacer le foyer assemblé afin d'éviter les blessures.

ÉCART AUX COMBUSTIBLES

Côtés	101,6 mm (4 po)
Sol	0 mm (0 po)
Dessus	914 mm (36 po)
Avant	914 mm (36 po)
Arrière	0 mm (0 po)



MISE EN GARDE

N'installez pas cet appareil sur une étagère, une plate-forme surélevée, un lit, des couvertures, des oreillers, etc. Gardez les matériaux combustibles comme les meubles, les oreillers, la literie, le papier, les vêtements et les rideaux à une distance d'au moins 914 mm (3 pi) du foyer.

Utilisation



Lisez toutes les instructions avant utilisation.

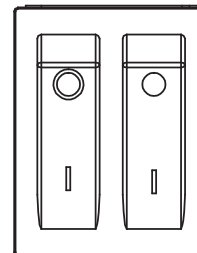
Vérifiez que la grille de sortie de l'appareil de chauffage n'est ni couverte ni obstruée d'une manière quelconque et assurez-vous que l'appareil a été mis sous tension.



REMARQUE : La première fois que l'appareil de chauffage est utilisé, il peut dégager une légère odeur. Ceci est normal et ne devrait pas se reproduire à moins que l'appareil de chauffage ne soit pas utilisé pendant une longue période.

1 Utilisation du panneau de commande

- Le panneau de commande se trouve derrière les portes du foyer.
 - **Interrupteur marche - arrêt :** L'interrupteur  marche/arrêt doit être à la position MARCHE pour faire fonctionner chaque caractéristique du foyer.
 - **Les flammes :** Mettez l'interrupteur à MARCHE. Le voyant s'allumera et les flammes seront visibles à travers la vitre.
 - **Température :** Mettez l'interrupteur à  MARCHE, pour activer le chauffage.



Maintenance

VITRE

- En aucun cas, ne pouvez-vous utiliser ce produit avec une vitre cassée.
- Ne frappez pas la vitre et ne la claquez pas.
- N'utilisez pas de nettoyeurs abrasifs pour nettoyer la vitre.
- Ce produit présente une vitre en verre trempé. Le remplacement de la vitre fournie par le fabricant doit être effectué par un technicien qualifié.

INSPECTION ET REMPLACEMENT DES AMPOULES

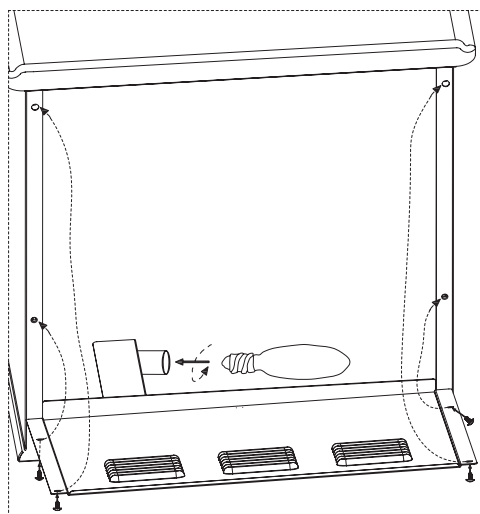
L'effet de flammes est réalisé au moyen de deux ampoules électriques de 40 watts avec un petit culot E-12. Utilisez seulement ce type d'ampoule électrique. Si l'effet de flammes ne marche pas, les ampoules peuvent s'être desserrées ou avoir été endommagées pendant l'expédition.



ATTENTION :

Les ampoules deviennent brûlantes pendant leur utilisation. Laissez-les refroidir pendant au moins 10 minutes avant de les toucher.

Pour inspecter ou remplacer les ampoules, débranchez d'abord le cordon d'alimentation de la prise de courant. Repérez le panneau d'accès au dos du foyer. Retirez les vis et le panneau. Vérifiez les ampoules pour vous assurer qu'elles sont manuellement serrées et en état de fonctionnement. Remplacez toute ampoule endommagée ou défectueuse. Remettez le panneau d'accès et re-fixez-le. Ne faites pas fonctionner cet appareil de chauffage sans le panneau d'accès en place.



MISE EN GARDE :

Ne dépassez pas 25 watts par ampoule. L'utilisation d'ampoules plus puissantes peut provoquer un incendie et causer des dommages matériels ou des blessures.

ENTRETIEN DES MOTEURS

Débranchez toujours l'appareil de la principale source de courant électrique et laissez-le refroidir avant tout entretien.

Les moteurs utilisés pour le ventilateur et le souffleur de flammes sont pré-lubrifiés pour une vie prolongée des roulements et ne requièrent aucune lubrification supplémentaire. Toutefois, il est recommandé de nettoyer et de passer l'aspirateur régulièrement autour des prises et sorties d'air ainsi qu'autour du ventilateur du chauffage. En cas d'utilisation intensive ou continue, le nettoyage régulier doit devenir plus fréquent. Si l'appareil de chauffage souffle en alternance de l'air froid et de l'air chaud, inspectez le ventilateur pour vous assurer qu'il peut fonctionner librement et que des débris ne gênent pas le débit d'air. Si le ventilateur ne fonctionne pas librement, il faut éteindre l'appareil et remplacer immédiatement le ventilateur pour ne pas endommager davantage l'appareil.

Entretien et nettoyage

Veillez à ÉTEINDRE le foyer et à débrancher le cordon d'alimentation de la prise de courant électrique avant de le nettoyer. Enlevez et nettoyez la poussière et la saleté de l'appareil de chauffage et des événements avec un aspirateur ou un linge à épousseter. Pour préserver le fini, nettoyez avec un linge doux légèrement humide et faites briller avec un linge sec. N'utilisez jamais de nettoyeurs abrasifs, de liquides pulvérisés ou tout autre nettoyeur qui pourrait égratigner la surface.

Schéma de câblage électrique

DANGER



Débranchez l'alimentation électrique avant d'effectuer les travaux d'entretien.

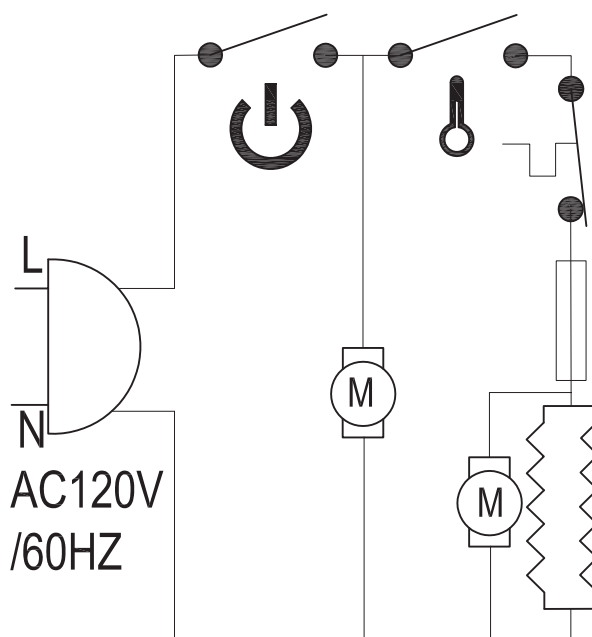


Tout renouvellement du câblage de cet appareil doit être effectué par un électricien agréé. Veillez à ce que le câblage soit effectué conformément aux codes locaux ou, au Canada, à la plus récente version du Code canadien de l'électricité, CSA C22.1 ou, dans le cas des installations aux É.-U., au code national de l'électricité, ANSI/NFPA N° 70.



En cas de réparation ou de remplacement d'un composant ou d'un câble électrique, respectez l'acheminement des câbles, les codes de couleur et les emplacements de fixation d'origine.

SCHÉMA DE CÂBLAGE



AVERTISSEMENT : Coupez l'alimentation avant d'effectuer l'entretien

Dépannage

Si vous avez des questions concernant ce produit, appelez le service à la clientèle de Hampton Bay au 855-HD-HAMPTON, de 8 h à 18 h heure normale de l'Est, du lundi au vendredi.

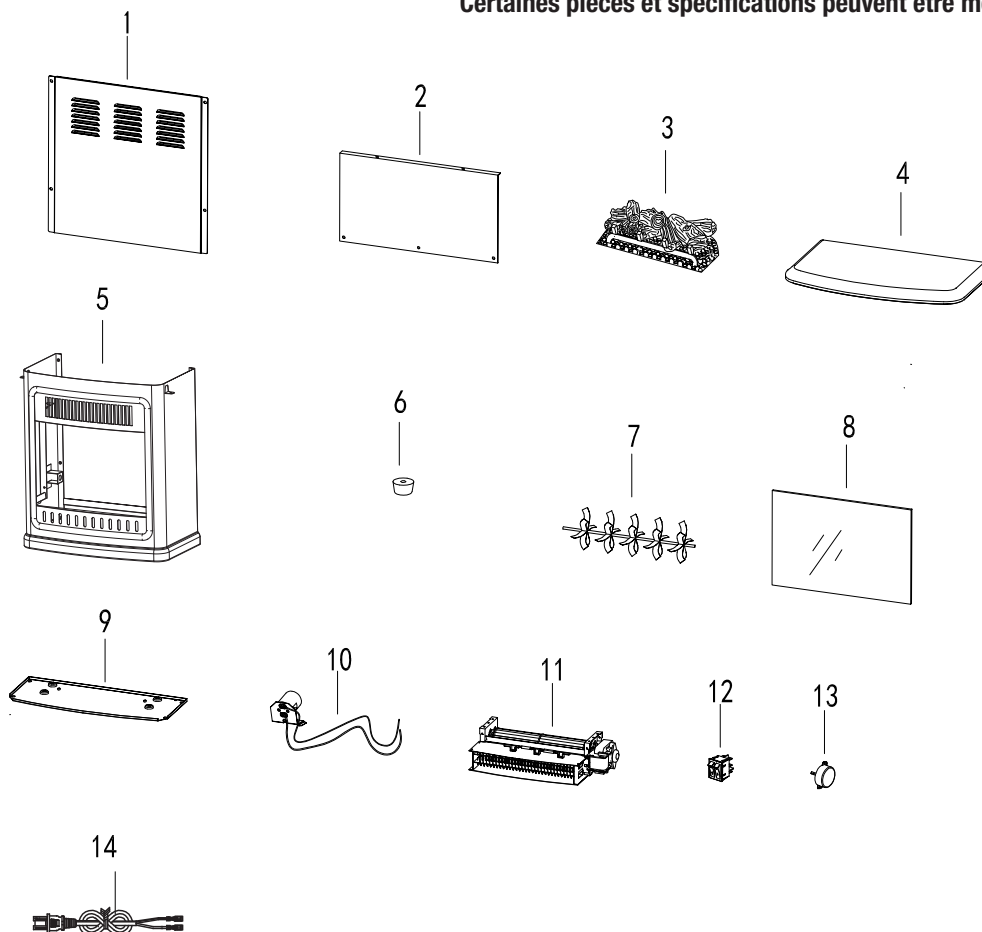
Problème	Cause possible	Mesure corrective
Le foyer ne fonctionne pas.	<ul style="list-style-type: none"><input type="checkbox"/> Le foyer n'est pas branché.<input type="checkbox"/> Un disjoncteur s'est déclenché ou un fusible a sauté.<input type="checkbox"/> Interrupteur de MARCHE/ARRÊT défectueux.<input type="checkbox"/> Fils desserrés.	<ul style="list-style-type: none"><input type="checkbox"/> Assurez-vous que le foyer est branché dans une prise de courant standard de 120 V.<input type="checkbox"/> Inspectez les autres appareils branchés sur le même circuit; idéalement le foyer devrait être branché sur son propre circuit de 15 ampères.<input type="checkbox"/> Appelez le service à la clientèle.<input type="checkbox"/> Appelez le service à la clientèle.
Le voyant lumineux de la Mise sous tension est allumé mais l'effet de flamme n'est pas visible.	<ul style="list-style-type: none"><input type="checkbox"/> Manipulation incorrecte.<input type="checkbox"/> Ampoule(s) électrique(s) desserrée(s).<input type="checkbox"/> Ampoule(s) électrique(s) grillée(s).	<ul style="list-style-type: none"><input type="checkbox"/> Consultez le mode d'emploi.<input type="checkbox"/> Serrez la ou les ampoules électriques.<input type="checkbox"/> Remplacez la ou les ampoules électriques.
Le chauffage ne marche pas.	<ul style="list-style-type: none"><input type="checkbox"/> Manipulation incorrecte.<input type="checkbox"/> Interrupteur du chauffage défectueux.<input type="checkbox"/> Ensemble chauffant défectueux.<input type="checkbox"/> Fils desserrés.<input type="checkbox"/> Événements sales ou obstrués.	<ul style="list-style-type: none"><input type="checkbox"/> Consultez le mode d'emploi.<input type="checkbox"/> Appelez le service à la clientèle.<input type="checkbox"/> Appelez le service à la clientèle.<input type="checkbox"/> Appelez le service à la clientèle.<input type="checkbox"/> Débranchez l'appareil. Enlevez la poussière et les débris autour des événements. Attendez dix minutes, rebranchez l'appareil et rallumez le chauffage.
Bruit excessif lorsque le chauffage fonctionne.	<ul style="list-style-type: none"><input type="checkbox"/> Ventilateur défectueux.<input type="checkbox"/> Ensemble chauffant défectueux.	<ul style="list-style-type: none"><input type="checkbox"/> Appelez le service à la clientèle.<input type="checkbox"/> Appelez le service à la clientèle.

Pièces de rechange

Si vous avez des questions concernant ce produit, appelez le service à la clientèle de Hampton Bay au 855-HD-HAMPTON, de 8 h à 18 h heure normale de l'Est, du lundi au vendredi.

Ref.	Description	EST-13-10-Y	EST-13-50-Y	EST-13-60-Y
1	Panneau arrière	EFEST1310001		
2	Écran	EFEST1310002		
3	Ensemble de bûches	EFEST1310003		
4	Panneau de dessus	EFEST1310004	EFEST1350001	EFEST1360001
5	Panneau d'armoire	EFEST1310005	EFEST1350002	EFEST1360002
6	Pied	EFEST1310015	EFEST1350004	EFEST1360004
7	Réflecteur de flammes	EFEST1310007		
8	Vitre	EFEST1310008		
9	Panneau de dessous	EFEST1310009		
10	Douille et support de lampe	EFEST1310010		
11	Boîte de chauffage ventilateur	EFEST1310011		
12	Interrupteur	EFEST1310012		
13	Moteur	EFEST1310013		
14	Cordon d'alimentation et connecteur	EFEST417018ST		

Certaines pièces et spécifications peuvent être modifiées sans préavis.





Questions, problèmes, pièces manquantes? Avant de retourner au magasin,
appelez le service à la clientèle de Hampton Bay
de 8h à 18h, heure normale de l'Est, du lundi au vendredi

855-HD-HAMPTON

HAMPTONBAY.COM

Conservez ce manuel pour un usage ultérieur.

Fabriqué par : GHP Group, Inc. • 6440 W. Howard St. • Niles, IL 60714-3302

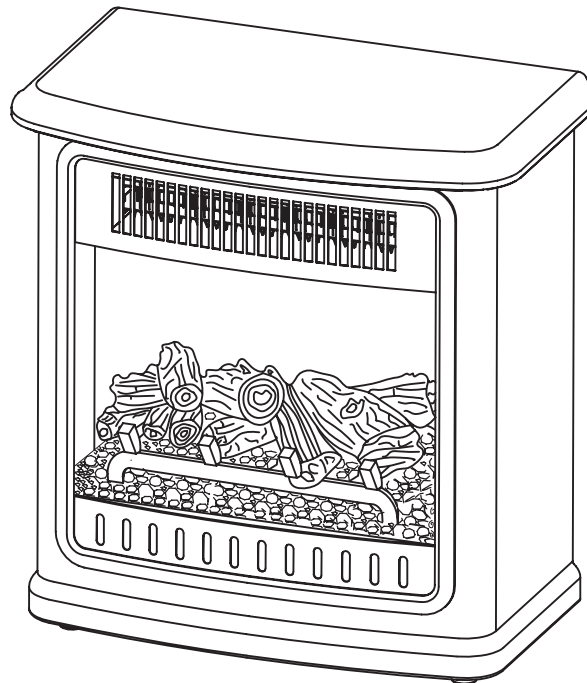
Artículo # 1003063392
1003063395
1003063396



Modelo # EST-13-10-Y
EST-13-50-Y
EST-13-60-Y

GUÍA DE USO Y MANTENIMIENTO

ESTUFA MINIATURA



Patente
pendiente



INSTRUCCIONES IMPORTANTES

POR FAVOR LEE ESTE MANUAL ANTES DE INSTALAR Y USAR ESTE ELECTRODOMÉSTICO

¡ADVERTENCIA!

SI LA INFORMACIÓN EN ESTE MANUAL NO SE SIGUE EXACTAMENTE,
PUEDE PRODUCIRSE UNA DESCARGA ELÉCTRICA O INCENDIO, LO QUE PUEDE CAUSAR
DAÑOS A LA PROPIEDAD, LESIONES PERSONALES O LA MUERTE.

INSTALADOR: Conserva este manual con el electrodoméstico.
CONSUMIDOR: Conserva este manual para consultarlo en el futuro.

¿Preguntas, problemas o piezas faltantes? Antes de regresar a la tienda,
llama al Servicio al Cliente de Hampton Bay de
lunes a viernes entre 8 a.m. y 6 p.m., (hora del Este de EEUU)

855-HD-HAMPTON HAMPTONBAY.COM

GRACIAS

Apreciamos la confianza que ha depositado en Hampton Bay por la compra de esta estufa eléctrica. Nos esforzamos por crear continuamente productos de calidad diseñados para mejorar su hogar. Visítenos en internet para ver nuestra línea completa de productos disponibles para sus necesidades de mejorar su hogar. ¡Gracias por elegir a Hampton Bay!

Índice

Índice	26	Funcionamiento	31
Información de Seguridad	27	Cuidado y Mantenimiento	32
Garantía	29	Diagrama del Cableado Eléctrico	33
Pre-Instalación	30	Solución de Problemas	34
Dimensiones de la Estufa	30	Lista de Piezas de Repuesto	35
Instalación	31		



IMPORTANTE: Lee todas las instrucciones y advertencias antes de comenzar la Instalación. No seguir estas instrucciones puede resultar en una posible descarga eléctrica, lesiones a las personas, riesgo de incendio y anulará la garantía.

Por favor lee las Instrucciones de Instalación y Funcionamiento antes de usar este electrodoméstico.



PRECAUCIÓN

PUEDE OCURRIR DAÑO DEL PRODUCTO.

Nunca intentes desensamblar o modificar el producto de ninguna forma que no se indique en este manual.

Información de Seguridad

Por favor lee este manual antes de instalar y usar este electrodoméstico.

- ❑ Lea todas las instrucciones antes de usar este electrodoméstico.
- ❑ Este electrodoméstico se calienta cuando está en uso. Para evitar quemaduras, no toques las partes calientes con la piel descubierta. Al moverlo, sujeta este electrodoméstico por las asas, si las tiene. Mantén los materiales inflamables, como muebles, almohadas, ropa de cama, papeles, ropa y cortinas al menos a 92 cm de distancia de la parte frontal de este electrodoméstico.



PRECAUCIÓN: Precauciones extremas son necesarias cuando cualquier calefactor sea utilizado por, o cerca de niños o personas discapacitadas, y cuando el calefactor se deje encendido sin supervisión.

- ❑ Si es posible, desconecta siempre este electrodoméstico cuando no esté en uso.
- ❑ No utilices ningún calefactor con un cable o enchufe dañado, o después de que este electrodoméstico falle, o haya sufrido caídas o daños de cualquier tipo.
- ❑ Cualquier reparación a este producto debe ser llevada a cabo por una persona de servicio calificada.
- ❑ Bajo ninguna circunstancia debe modificarse este electrodoméstico. Las piezas que necesitan retirarse para prestarles servicio deben ser reemplazadas antes de usar este electrodoméstico de nuevo.
- ❑ No usar en exteriores.
- ❑ Este calefactor no está diseñado para uso en baños, áreas de lavado y otros sitios interiores similares. Nunca coloques este electrodoméstico donde pueda caerse en una bañera o recipiente con agua.
- ❑ No uses este calefactor en lugares elevados, como estantes, plataformas elevadas, etc.
- ❑ No pasar el cable debajo de alfombras. No cubras el cable con tapetes, alfombras de pasillo o cubiertas similares. Coloca el cable lejos de las zonas de alto tráfico, donde alguien pueda enredarse con él y caer.
- ❑ Para desconectar este electrodoméstico, gira los controles a la posición de apagado, luego quita el enchufe del tomacorriente.
- ❑ Sólo conéctalo a tomacorrientes que estén apropiadamente conectados a tierra.
- ❑ Al instalar este electrodoméstico, debe conectarse a tierra de acuerdo con los códigos locales, con los códigos eléctricos canadienses actuales CSA C22.1 o para las instalaciones en EE. UU., cumplir con todos los códigos locales y el Código Nacional de Electricidad, ANSI/NFPA Núm. 70.
- ❑ No insertes, ni permitas que caigan objetos extraños en ninguna de las salidas de ventilación o escape; ello podría causar descargas eléctricas o incendios, o podría dañar el electrodoméstico.
- ❑ Para evitar posibles incendios, no bloquee las entradas o salidas de aire por ningún medio. No usar en superficies suaves, como una cama, donde las salidas puedan bloquearse.
- ❑ Este electrodoméstico tiene en su interior piezas calientes y que chispean. No lo uses en áreas en las que se guarda gasolina, pintura u otros líquidos inflamables. Este electrodoméstico no debe usarse como una estantería para secar ropa, ni para colgar medias o decoraciones de Navidad de él o cerca de él.
- ❑ Usa este electrodoméstico sólo de la manera en la que se describe en este manual. Cualquier otro tipo de uso distinto al recomendado por el fabricante puede causar incendios, descargas eléctricas o lesiones a personas.
- ❑ Siempre conecta los calefactores directamente al tomacorriente/receptáculo de pared. Siempre enchufe la unidad en un tomacorriente/ receptáculo de la pared. Nunca deben usarse una extensión eléctrica ni un tomacorriente de alimentación reubicable (tomacorriente/enchufe múltiple).
- ❑ No uses este calefactor si le faltan las patas o están dañadas o rotas.
- ❑ «GUARDA ESTAS INSTRUCCIONES»

PELIGRO



CONEXIÓN ELÉCTRICA

Se requiere un circuito de 15 Amperios, 120 Voltios y 60 Hz, con un tomacorriente debidamente conectado a tierra. Preferiblemente, artículo debe estar en un circuito exclusivo, ya que otros electrodomésticos en el mismo circuito pueden causar que el cortacircuitos se active o el fusible se funda cuando el calefactor esté en funcionamiento. La unidad viene de fábrica con un cordón de 6 pies (1,8 m) de 3 cables, que sale por el lado derecho de la estufa eléctrica. Siempre enchufe la unidad en un tomacorriente/receptáculo de la pared. Nunca deben usarse una extensión eléctrica ni un tomacorriente de alimentación reubicable (tomacorriente/enchufe múltiple).



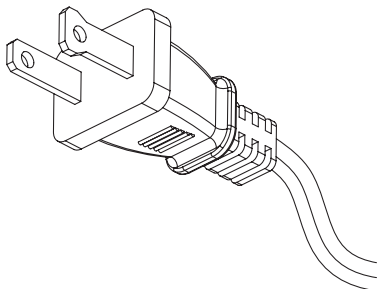
El cableado del tomacorriente eléctrico debe cumplir con los códigos locales de construcción y otras regulaciones que apliquen para disminuir los riesgos de incendio, descarga eléctrica o lesiones personales.



No uses este artículo si alguna pieza ha estado bajo agua. Llama de inmediato a un técnico de servicio calificado para que inspeccione el artículo y reemplace cualquier pieza del sistema eléctrico que haya estado bajo agua.

ENCHUFE POLARIZADO

Este producto está equipado con un enchufe polarizado (una clavija es más ancha que la otra) para reducir el riesgo de descarga eléctrica. El enchufe podrá colocarse en un tomacorriente polarizado de una sola manera. Ésta es una medida de seguridad. Si no puede colocar el enchufe en el tomacorriente eléctrico, intente invirtiendo el enchufe. Si aún así no puede, póngase en contacto con un electricista calificado.



ADVERTENCIA

Este producto puede exponerlo a sustancias químicas como el di(2-etilhexil) ftalato (DEHP) que, según el estado de California, puede provocar cáncer y daños del desarrollo.

Para obtener más información, visite www.p65Warnings.ca.gov

GARANTÍA DE 1 AÑO

LO QUE ESTÁ CUBIERTO

El fabricante garantiza que su nueva estufa eléctrica está libre de defectos de fabricación y materiales por un periodo de un año a partir de la fecha de compra, sujeto a las siguientes condiciones y limitaciones.

Esta estufa eléctrica debe ser instalada y operada en todo momento de acuerdo con las instrucciones proporcionadas con el producto. Cualquier alteración, abuso intencionado, accidente o mal uso del producto anulará esta garantía. Esta garantía es intransferible y es hecha al propietario original, siempre que la compra fue hecha mediante un proveedor autorizado del fabricante. Esta garantía está limitada a la reparación o reemplazo de pieza(s) que se encuentren defectuosas en materiales o mano de obra, siempre que tal(es) pieza(s) hayan estado sujetas a condiciones normales de uso y servicio, luego de que dicho defecto sea confirmado por la inspección de fabricante. El fabricante puede, a su discreción, liberar de todas las obligaciones, con respecto a esta garantía mediante el reembolso del precio al por mayor de la(s) pieza(s) defectuosa(s).

LO QUE NO ESTÁ CUBIERTO

Cualquier instalación, trabajo, construcción, transporte u otros costos/gastos que surjan de pieza(s) defectuosa(s), reparación, reemplazo u otra cosa similar, no será cubierta por esta garantía y tampoco el fabricante asumirá responsabilidad por lo mismo. Además, el fabricante no será responsable de ningún daño incidental, indirecto o consecuente, excepto como lo establezca la ley.

Todas las otras garantías, expresas o implícitas, con respecto al producto, sus componentes y accesorios, o cualquier obligación/responsabilidad civil sobre la pieza del fabricante, por la presente se excluyen expresamente. El fabricante tampoco asume, ni autoriza a ninguna tercera parte a asumir, en su nombre, cualquier otra responsabilidad civil con respecto a la venta de este producto. Las garantías como están descritas dentro de este documento, no aplican a accesorios que no son del fabricante usadas junto con la instalación de este producto.

Esta garantía no cubre la(s) bombilla(s) incluidas con la estufa eléctrica.

Esta garantía no tiene validez si: la estufa ha sido operada en atmósferas contaminadas con cloro, flúor u otro químico dañino; la estufa está sujeta a periodos prolongados de humedad o condensación; la estufa es alterada, maltratada intencionalmente, dañada por accidente o usada incorrectamente en cualquier manera.

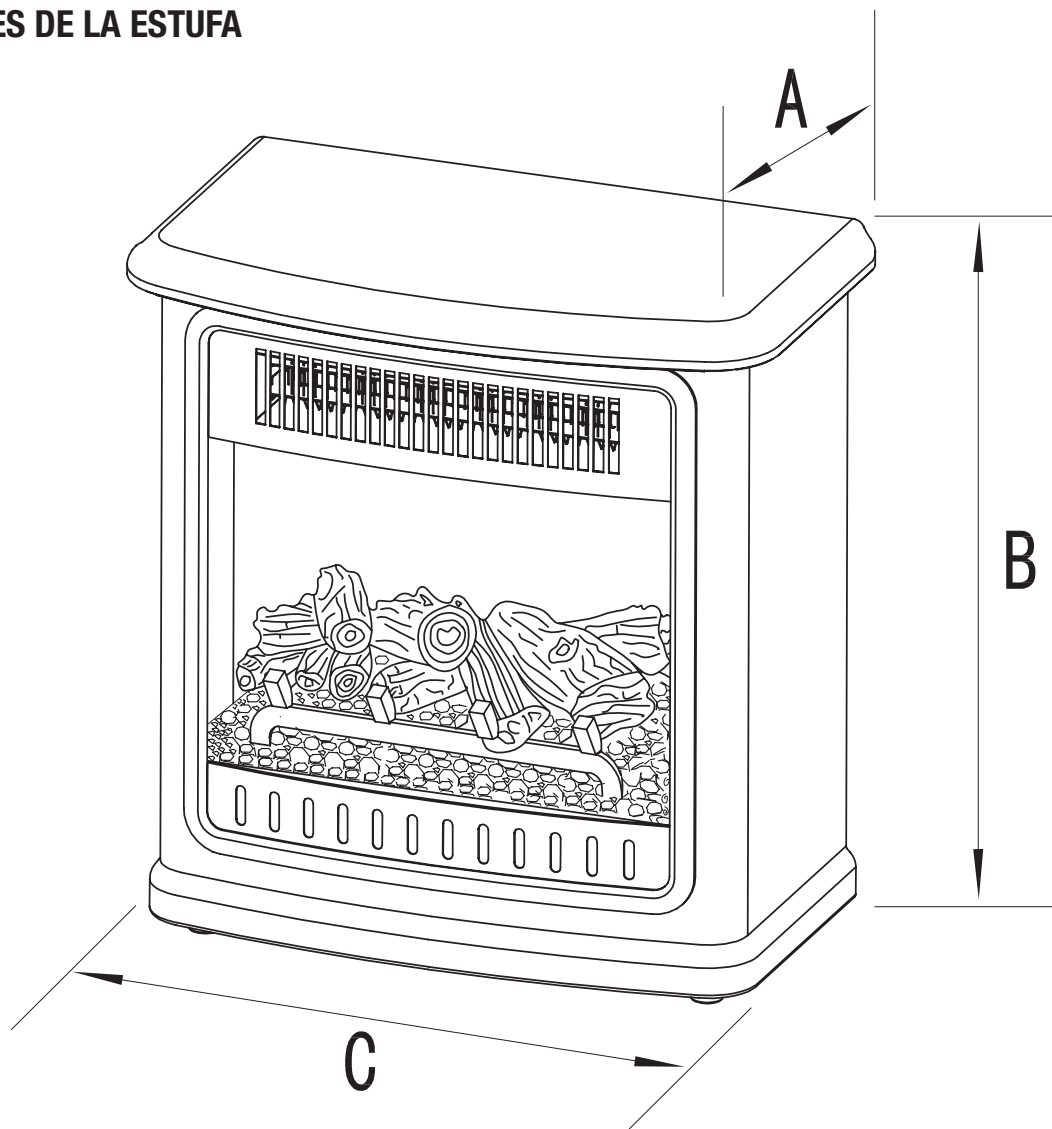
Si se necesita servicio de garantía, póngase en contacto con el Equipo de Servicio al Cliente llamando al 855-HD-HAMPTON de lunes a viernes de 8 a.m. a 6 p.m., hora local del Este o visite www.hamptonbay.com.

Asegúrese de tener su garantía, su recibo de venta y el número de modelo/serie de su producto.

NO INTENTE HACER TRABAJO DE SERVICIO USTED MISMO.

Pre-Instalación

DIMENSIONES DE LA ESTUFA



Ref.	EST-13-10-Y, EST-13-50-Y, EST-13-60-Y
A	19,2 cm (7,56 pulg.)
B	35,3 cm (13,9 pulg.)
C	33 cm (13 pulg.)

Especificaciones técnicas	
Voltaje	120V AC
Frecuencia	60HZ
Amperaje máx	11.7A
Clasificación del calefactor	1400W

Instalación

La estufa debe ubicarse en un área:

- Lejos de la luz solar directa
- No susceptible a la humedad
- Lejos de los cables sin aislamiento fuera de la pared



ADVERTENCIA

- La estufa es pesada y debe ensamblarse cerca de la ubicación deseada.
- Se recomienda que dos personas muevan la estufa ensamblada para evitar lesiones.

Distancia Mínima Requerida de Separación de Materiales Combustibles

Laterales	101.6 mm (4 pulg)
Piso	0 mm (0 pulg)
Parte superior	914 mm (36 pulg)
Frente	914 mm (36 pulg)
Parte posterior	0 mm (0 pulg)



ADVERTENCIA

No instale la unidad en los estantes, plataformas elevadas, camas, mantas, almohadas, etc Mantenga los materiales combustibles, tales como muebles, ropa de cama, papeles, ropa y cortinas por lo menos 3 pies (914 mm) de la estufa.

Funcionamiento



Lee todas las instrucciones antes de usar

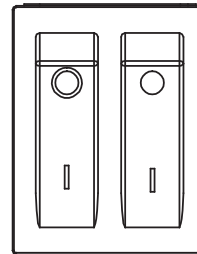
Revisa que la rejilla de salida del calefactor no esté cubierta u obstruida de ninguna forma y asegúrate de que la electricidad esté encendida.



NOTA: Cuando se usa la función de calefacción por primera vez, puede sentirse un ligero olor. Esto es normal y no debe ocurrir de nuevo a menos que el calefactor no se use durante un largo período de tiempo.

1 Uso del panel de control

- El panel de control está ubicado detrás de la puerta de la estufa.
 - **Encendido:** El Interruptor de Encendido  suministra energía a todas las funciones de la estufa. Este interruptor debe estar en la posición ON (de encendido) para que cualquiera de las funciones trabaje.
 - **Efecto de llama:** Cambie el interruptor de Encendido a la posición ON. La luz indicadora de Encendido brillará. El efecto de llama será visible a través del vidrio frontal.
 - **Temperatura:** Cambie el Interruptor de Temperatura  a la posición ON, para activar el calentador.



Mantenimiento

INFORMACIÓN SOBRE EL VIDRIO

- Bajo ninguna circunstancia debe operarse este producto con el vidrio roto.
- No golpees el vidrio o lo tires bruscamente.
- No uses limpiadores abrasivos para limpiar el vidrio.
- Este producto usa vidrio templado. El reemplazo del vidrio provisto por el fabricante debe hacerlo una persona de servicio calificada.

INSPECCIÓN Y REEMPLAZO DE LAS BOMBILLAS

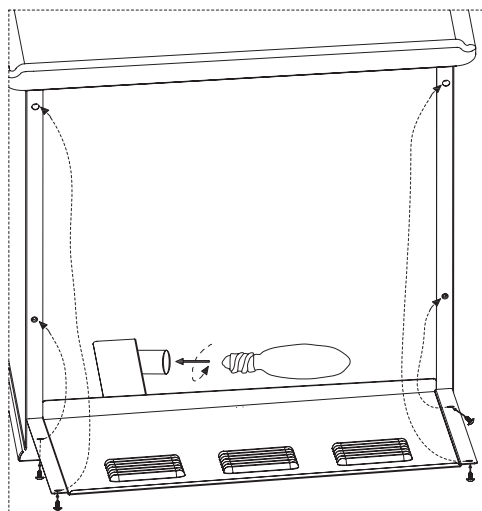
El efecto de llama es creado por dos bombillas de 40 vatios con una base para portabombilla E-12 (pequeño). Usa sólo este tipo de bombilla. Si el efecto de llama no funciona, las bombillas pueden haberse aflojado o dañado durante el envío.



PRECAUCIÓN

Las bombillas se calientan bastante durante el uso. Deja que las bombillas se enfríen durante al menos 10 minutos antes de tocarlas.

Para inspeccionar o reemplazar las bombillas, primero desconecta el cable eléctrico del tomacorriente. Ubica el panel de acceso en la parte posterior de la estufa. Quita los tornillos y el panel. Revisa las bombillas para asegurarte de que están apretadas y en perfecto estado. Reemplaza cualquier bombilla dañada o defectuosa. Vuelve a colocar el panel de acceso. No uses este calefactor sin el panel de acceso en su lugar.



ADVERTENCIA

No uses más de 40 vatios por bombilla. El uso de bombillas con clasificación más alta puede provocar un incendio, causando daño a la propiedad o lesiones personales.

MANTENIMIENTO DE LOS MOTORES

Siempre desconecta el electrodoméstico del suministro de energía principal y deja que se enfríe antes de realizar labores de mantenimiento. Los motores que se usan en el calentador por ventilador y el soplador de la llama están prelubricados para una vida más larga de los cojinetes de bolas y no requieren más lubricación. Sin embargo, se recomienda limpiar/desempolvar el electrodoméstico alrededor de la entrada y salida de aire, así como el calefactor con ventilador. Para un uso constante o ininterrumpido, debe limpiarse periódicamente con más frecuencia. Si el calefactor sopla aire frío y cálido alternadamente, revisa el ventilador para ver si se mueve libremente o si hay desechos obstruyendo el flujo de aire. Si el ventilador no se mueve libremente, debe apagarse la unidad y reemplazarse el ventilador de inmediato para evitar más daño a la unidad.

Cuidado y limpieza

Siempre apaga la estufa y desconecta el cable eléctrico del tomacorriente antes de limpiar. Usa una aspiradora o desempolvador para quitar el polvo y la suciedad del calefactor y las áreas de ventilación. Para dar mantenimiento al acabado, límpialo con un paño suave y ligeramente húmedo y púlelo con un paño seco. Nunca uses limpiadores abrasivos, rociadores líquidos o ningún limpiador que pueda rayar la superficie.

Diagrama del Cableado Eléctrico

PELIGRO



Desconecta la corriente antes de dar mantenimiento.

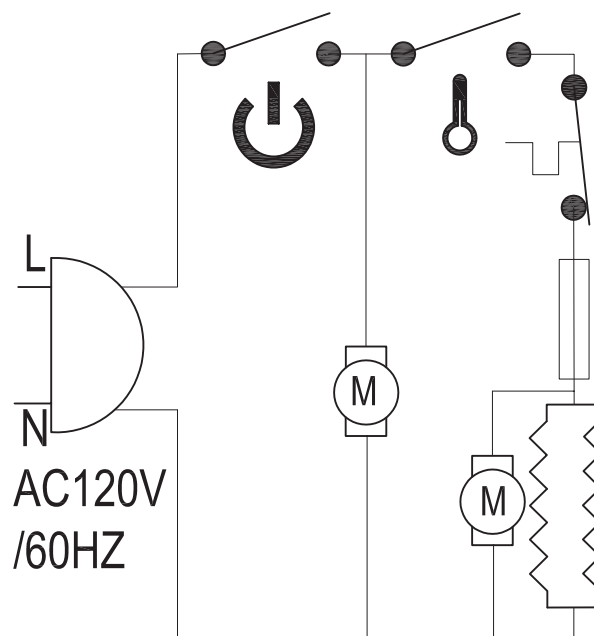


Todo nuevo cableado eléctrico del electrodoméstico debe realizarlo un electricista calificado. Este cableado se debe realizar de acuerdo con códigos locales o, en Canadá, de acuerdo con el Código de Electricidad de Canadá CSA C22.1 actual, y para las instalaciones en EE.UU., de acuerdo con el código nacional de electricidad, ANSI/NFPA No. 70.



Si se requiere reparar o reemplazar cualquier componente o cableado eléctrico, se debe seguir la misma ruta de los cables, códigos de color y ubicaciones para asegurarlos.

DIAGRAMA DE CIRCUITO



ADVERTENCIA: Desconecte la fuente de alimentación antes de dar mantenimiento.

Solución de Problemas

Si tienes alguna pregunta referente al producto, por favor comunícate con el Servicio al Cliente de Hampton Bay al 855-HD-HAMPTON, de 8 a.m. a 6 p.m. de lunes a viernes entre las 8 a.m. y 6 p.m., (hora del Este de EE. UU.)

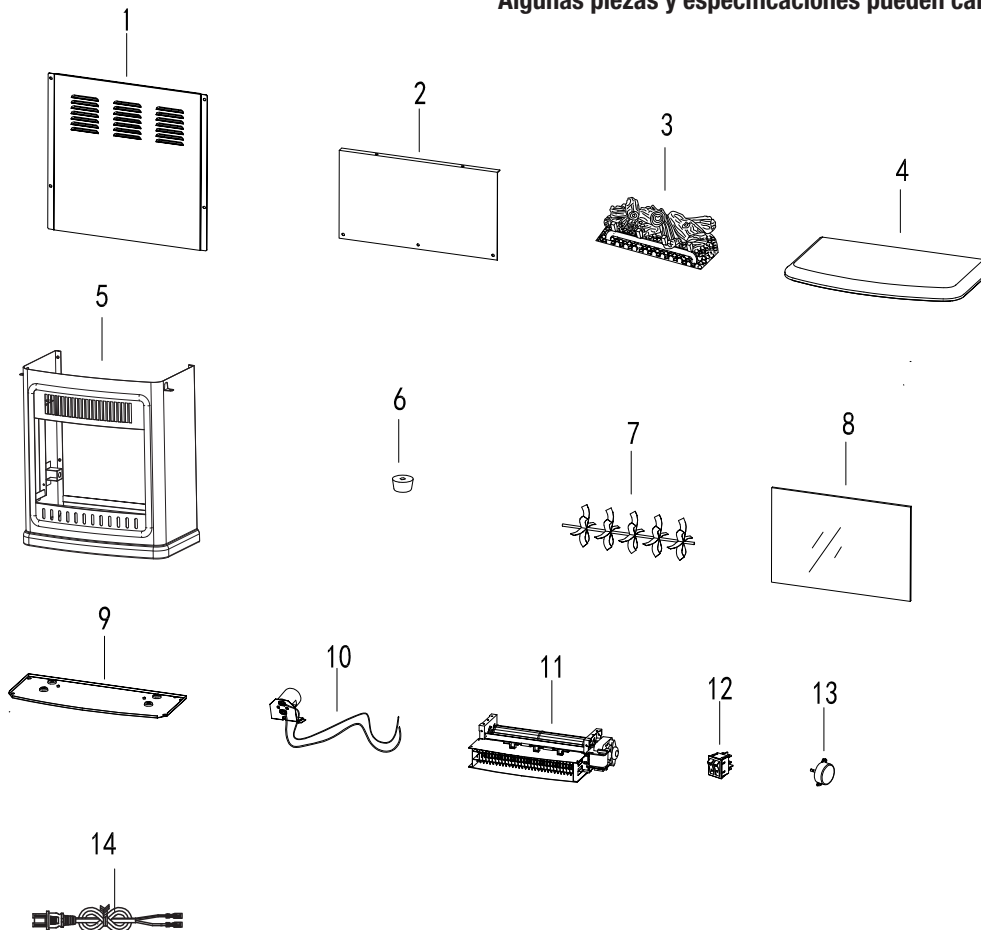
Problema	Causa posible	Solución
La estufa no funciona.	<ul style="list-style-type: none"> <input type="checkbox"/> La estufa no está enchufada. <input type="checkbox"/> Un cortocircuitos se disparó o el fusible se fundió. <input type="checkbox"/> El interruptor de ENCENDIDO/APAGADO (ON/OFF) está defectuoso. <input type="checkbox"/> Cableado suelto. 	<ul style="list-style-type: none"> <input type="checkbox"/> Asegúrate de que la estufa esté conectada a un tomacorriente estándar de 120 V. <input type="checkbox"/> Revisa los otros electrodomésticos conectados en el circuito; idealmente, la chimenea debe estar en un circuito exclusivo de 15 amperios. <input type="checkbox"/> Llama al servicio al cliente. <input type="checkbox"/> Llama al servicio al cliente.
La luz de encendido se prende pero la llama no se ve.	<ul style="list-style-type: none"> <input type="checkbox"/> La estufa no está funcionando correctamente. <input type="checkbox"/> Bombilla(s) floja(s). <input type="checkbox"/> Bombilla(s) fundidas(s). 	<ul style="list-style-type: none"> <input type="checkbox"/> Consulte las instrucciones de uso. <input type="checkbox"/> Aprieta la(s) bombilla(s) floja(s). <input type="checkbox"/> Reemplaza la(s) bombilla(s).
El calefactor no está funcionando.	<ul style="list-style-type: none"> <input type="checkbox"/> La estufa no está funcionando correctamente. <input type="checkbox"/> Interruptor del calentador está defectuoso. <input type="checkbox"/> Ensamblaje del calentador está defectuoso. <input type="checkbox"/> Hay cableado suelto. <input type="checkbox"/> Los conductos de aire están sucios o tapados. 	<ul style="list-style-type: none"> <input type="checkbox"/> Consulta las instrucciones de uso. <input type="checkbox"/> Llama al servicio al cliente. <input type="checkbox"/> Llama al servicio al cliente. <input type="checkbox"/> Llama al servicio al cliente. <input type="checkbox"/> Desenchufa la unidad. Quita el polvo y las partículas del área de ventilación. Espera diez minutos, enchufa la unidad de nuevo y enciende el calefactor.
Hay ruido excesivo cuando el calefactor está funcionando.	<ul style="list-style-type: none"> <input type="checkbox"/> Ventilador defectuoso. <input type="checkbox"/> Ensamblaje del calefactor defectuoso. 	<ul style="list-style-type: none"> <input type="checkbox"/> Llama a servicio al cliente. <input type="checkbox"/> Llama al servicio al cliente.

Piezas de Repuesto

Si tienes alguna pregunta referente al producto, por favor comunícate con el Servicio al Cliente de Hampton Bay al 855-HD-HAMPTON, de 8 a.m. a 6 p.m. de lunes a viernes entre las 8 a.m. y 6 p.m., (hora del Este de EE. UU.)

Ref.	Descripción	EST-13-10-Y	EST-13-50-Y	EST-13-60-Y
1	Panel posterior		EFEST1310001	
2	Pantalla		EFEST1310002	
3	Juego de leños		EFEST1310003	
4	Panel superior	EFEST1310004	EFEST1350001	EFEST1360001
5	Panel del gabinete	EFEST1310005	EFEST1350002	EFEST1360002
6	Pata	EFEST1310015	EFEST1350004	EFEST1360004
7	Reflector de la llama		EFEST1310007	
8	Vidrio		EFEST1310008	
9	Panel inferior		EFEST1310009	
10	Portabombilla y soporte de la lámpara		EFEST1310010	
11	Caja del calentador de ventilador		EFEST1310011	
12	Interruptor		EFEST1310012	
13	Motor		EFEST1310013	
14	Cable eléctrico y conector		EFEST417018ST	

Algunas piezas y especificaciones pueden cambiar sin aviso previo.





¿Preguntas, problemas o piezas faltantes? Antes de regresar a la tienda,
llama al Servicio al Cliente de Hampton Bay de
lunes a viernes entre 8 a.m. y 6 p.m., (hora del Este de E.E. U.U.)

855-HD-HAMPTON

HAMPTONBAY.COM

Conserva este manual para uso en el futuro.

Manufactured by: GHP Group, Inc. • 6440 W. Howard St. • Niles, IL 60714-3302