



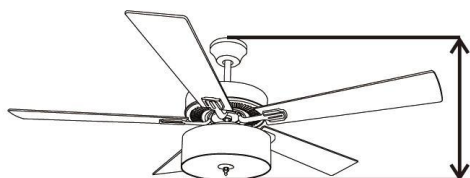
your global source for unique lighting + home decor

MODEL NO.: 19543

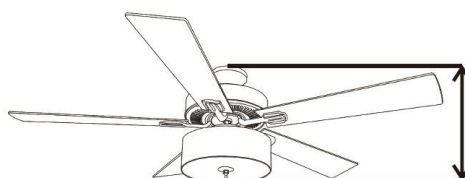
# Installation Guide

**READ AND SAVE THESE  
INSTRUCTIONS**

MODEL NO.:



Total Height W/Downrod 21"



Total Height W/Flush Mount 16"

You may install your ceiling fan as a flush mount, or you may use the provided down rod. Measure your room height before installing the fan and consider the different installation height options indicated in the above diagram.

**Note: Looking for additional down rod lengths to perfectly fit your installation space? 21", 36", and 48" down rods are available for purchase at [riverofgoods.com](http://riverofgoods.com)**

## Table of Contents:

Safety tips Pg.2

Unpacking your fan Pg.3

Tools and material required Pg.4

Outlet Box Pg.4-5

Hanging Bracket Installation Pg.4 - 5

Fan Assembly (Flush Mount) Pg.6

Fan Assembly (w/down rod) Pg.7

Wiring Pg.7 - 8

Canopy Assembly Pg.8

Blade Assembly Pg.9

Light Kit and Shade Assembly Pg.10

Troubleshooting Pg.11

Maintenance Pg.11

## Professional Installation Recommended



**Note: Approximate time of assembly is 30 min to 1 hour**

PRINTED IN CHINA

PAGE 1



your global source for unique lighting + home decor

MODEL NO: 19543

## SAFETY TIPS

**⚠️WARNING:** To reduce the risk of electrical shock, turn off the electricity to the fan at the main fuse box or circuit panel before you begin the fan installation or before servicing the fan or installing accessories.

1. **READ ALL INSTRUCTIONS AND SAFETY INFORMATION CAREFULLY BEFORE INSTALLING YOUR FAN AND SAVE THESE INSTRUCTIONS.**

**⚠️CAUTION:** To avoid personal injury, the use of gloves may be necessary while handling fan parts with sharp edges.

1. Make sure all electrical connections comply with Local Codes or Ordinances, the National Electrical Code, and ANSI/NFPA 70-1999. If you are unfamiliar with electrical wiring or if the house/building wires are different colors than those referred to in the instruction please use a qualified electrician.

2. Make sure you have a location selected for your fan that allows clear space for the blades to rotate and at least seven (7) feet (2.13 meters) of clearance between the floor and the fan blade tips. The fan should be mounted so that the tips of the blades are at least thirty (30) inches (76 centimeters) from walls or other upright structures.

3. The outlet box and ceiling support joist used must be securely mounted, and capable of supporting at least **50 Pounds (23 kilograms)**. The outlet box must be supported directly by the building structure. Make sure the electrical box that will hold the ceiling fan is fan-rated. There should be an inscription on the box indicating it.

**⚠️WARNING:** To reduce the risk of fire, electrical shock, or personal injury, mount to the outlet box marked "Acceptable for Fan Support," and use the mounting screws provided with the outlet box. Most outlet boxes commonly used for the support of lighting fixtures are not acceptable for fan support and may need to be replaced. Consult a qualified electrician if in doubt.

**⚠️WARNING:** To reduce the risk of fire, electrical shock, or personal injury, wire connectors provided with this fan are designed to accept only one 12 gauge house wire and two lead wires from the fan. If your house wire is larger than 12 gauge or there is more than one house wire to connect to the two fan lead wires, consult an electrician for the proper size wire connectors to use.

4. After making electrical connections, spliced conductors should be turned upward and pushed carefully up into the outlet box. The wires should be spread apart with the grounded conductor and the equipment-grounding conductor on opposite sides of the outlet box.

**⚠️WARNING:** To reduce the risk of electrical shock, fire and to prevent humming noise do not use this fan with any solid state speed control device or control fan speed with a full range dimmer switch. Using a full range dimmer switch to control fan speed will cause a loud humming noise from fan.

5. Do not operate the reverse switch until fan has come to a complete stop.

6. Do not insert anything between the fan blades while they are rotating.

**⚠️WARNING:** To reduce the risk of personal injury, do not bend the blade brackets when installing the brackets, balancing the blades, or cleaning the fan. Do not insert foreign objects in between rotating fan blades.

**⚠️WARNING:** To avoid personal injury or damage to the fan and other items, be cautious when working around or cleaning the fan.

7. Do not use water or detergents when cleaning the fan or fan blades. A dry dust cloth or lightly dampened cloth will be suitable for most cleaning.

**⚠️WARNING:** To reduce the risk of personal injury, use **only** parts provided with this fan. **The use of parts OTHER than those provided with this fan will void the warranty.**

**NOTE:** The important safety precautions and instructions appearing in the manual are not meant to cover all possible conditions and situations that may occur. It must be understood that common sense and caution are necessary factors in the installation and operation of this fan.

PAGE 2



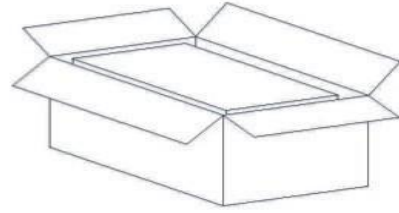
your global source for unique lighting + home decor

MODEL NO: 19543

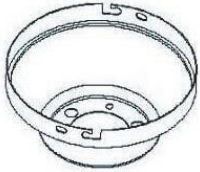



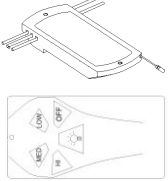
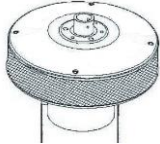


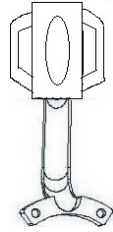

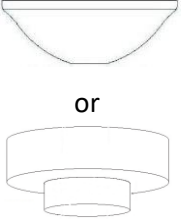
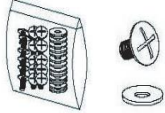
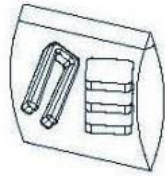

### 1. Unpacking Your Fan.

Carefully open the packaging. Remove items from styrofoam inserts. Remove motor housing and place on carpet or styrofoam to avoid damage to finish. Do not discard fan carton or styrofoam inserts should this fan need to be returned for repairs.

Check against parts inventory that all parts have been included.



### 2. Parts Inventory.

|   |  |   |  |  |   |
|---|--|---|--|--|---|
| <p>Canopy</p>                                        | <p>Canopy Bracket</p>   | <p>Down rod<br/>6"</p>   | <p>Down rod cover</p>     | <p>Remote and Receiver w/batteries</p>  |   |
| <p>Motor housing</p>                               | <p>Light Kit</p>      | <p>Bulbs (2)</p>   | <p>Blade arms (5)</p>  | <p>Blades (5)</p>                     | <p>Shade<br/>or</p>  |
| <p>Hardware bag (16 sets for Blades assembly)</p>  | <p>Balancing kit</p>  | <p>Hardware bag</p>  <ul style="list-style-type: none"> <li>2 Pull chain Fob</li> <li>3 Wire connectors</li> <li>2 Hanging Bracket screws</li> <li>2 Wood screws</li> <li>1 Blade arm (extra screw)</li> <li>4 [Small screw]</li> <li>4 [Small screw]</li> </ul> |  |  |   |

### Bulb Specifications:

Light kit – E26, Type A, 6W (LED-5000K-Dimmable) x 2

Alternative bulb usage: CFL or Incandescent Bulbs may be used. Ensure the Max. Wattage indicated on the socket labels is not exceeded, and verify the bulbs do not get in contact with any metal part of the fan components (shade or motor housing)

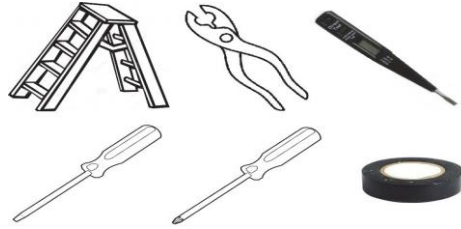
### ⚠ WARNING: DO NOT EXCEED INDICATED BULB WATTAGE

Note for Stained Glass shade items: the stained glass shade has been protected with mineral oil as part of the finishing process. Please use a soft dry cloth to remove any excess oil.

MODEL NO: 19543

### 3. Tools Required

- Step ladder
- Pliers
- Screw driver flat head and phillip
- Electrical tape
- Circuit tester



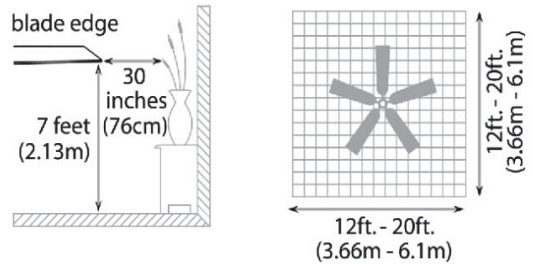
### 4. Installation Preparation

To prevent personal injury and damage, ensure that the hanging location allows the blade a clearance of 7ft.(2.13m) from the floor and 30in.(76cm) from any wall or obstruction.

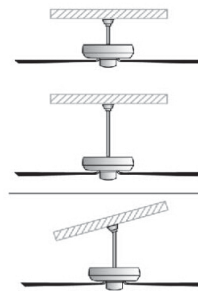
The fan is suitable for room sizes up to 400 square feet (37.2square meters).

This fan can be mounted with a down rod on a normal or vaulted ceiling. Down road is included, 6" length.

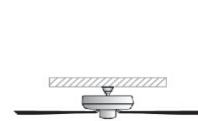
This fan can also be mounted using flush mount installation as seeing in diagram.




**downrod installation**



**flushmount installation**



 Vaulted ceiling angle is not to exceed 25 degrees.

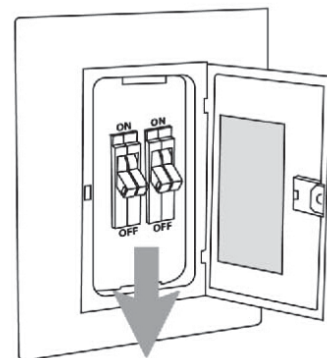
### 5. Hanging Bracket Installation.

Turn off circuit breakers to current fixture from breaker panel and be sure operating light switch is turned to the OFF position.

**⚠WARNING:** Failure to disconnect power supply prior to installation may result in serious injury and fire hazard.

Remove existing fixture.

**⚠WARNING:** When using an existing outlet box, be sure the outlet box is securely attached to the building structure and can support the full weight of the fan. Ensure the outlet box is clearly marked "Suitable for Fan Support". If not, it must be replaced with an approved outlet box. Failure to do so can result in serious injury.



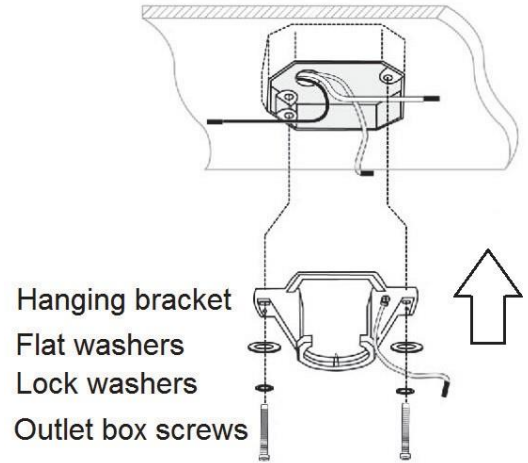
MODEL NO: 19543

**⚠ CAUTION:** Be sure outlet box is grounded properly and that a ground wire (green or bare) is present.

Partially loosen screws in slotted holes of canopy. Remove the other 2 screws (along with the star washers) -save for later use. Twist canopy to remove hanging bracket.

Install hanging bracket to outlet box using original screws, spring washers and flat washers provided with new or original outlet box. If installing on a vaulted ceiling, face opening of Hanging Bracket towards high point of ceiling. Arrange electrical wiring around the back of the hanging bracket and away from the hanging bracket opening.

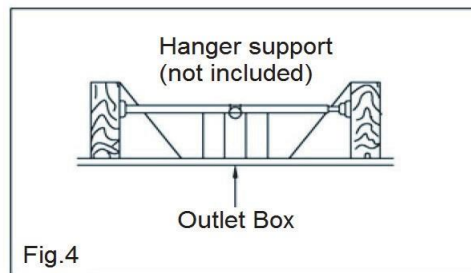
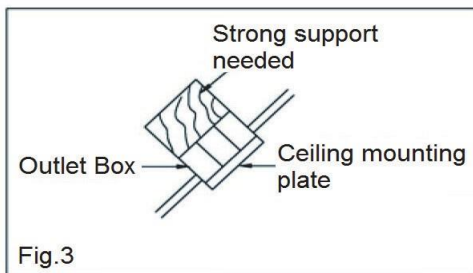
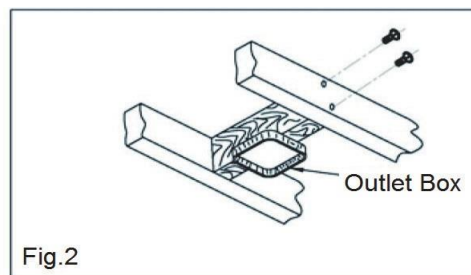
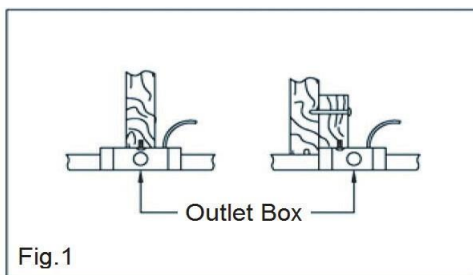
**⚠ CAUTION:** It is very important that you use the proper hardware when installing the hanging bracket as this will support the fan.



## ELECTRICAL OUTLET BOX

**⚠ WARNING:** It is recommended to contact a qualified electrician to replace the outlet box if not suitable for ceiling fans

1. If there is an existing outlet box, ensure it is clearly marked "Suitable For Fan Support".  
If not, it must be replaced with an approved one.
2. Secure the outlet box (or make sure the existing box is secured) directly to the building structure. Use appropriate fasteners and building materials. Wood joist and outlet box must be able to support a minimum of 50 pounds.
3. Figure 1, 2 and 3 are examples of different ways to mount the outlet box in different situations.
4. To hang the fan in locations where no ceiling joists is available. A hanger support bar may be required (Fig. 4)



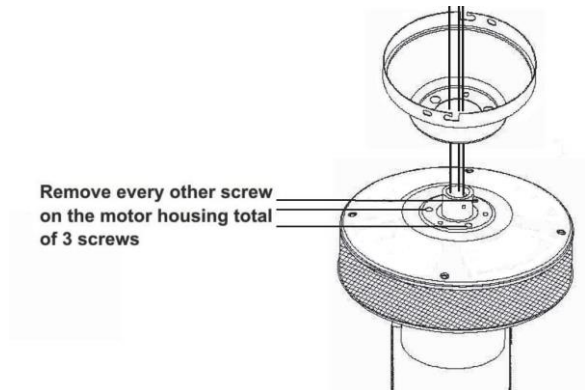
MODEL NO: 19543

## 6. Flush Mount Assembly. Go to step 7 if assembling with down rod.

- Remove round rubber ring from the Canopy
- Thread the electrical wires through the canopy.
- Remove every other screw on the motor housing total of 3 screws.

**⚠WARNING** – Ensure you only remove every other screw, others must remain firmly tightened.

- Attach the canopy to the motor housing securely with the 3 screws previously removed. Tighten firmly.
- Continue to step 8 for wiring.



MODEL NO: 19543

## 7. Fan Assembly with Down Rod

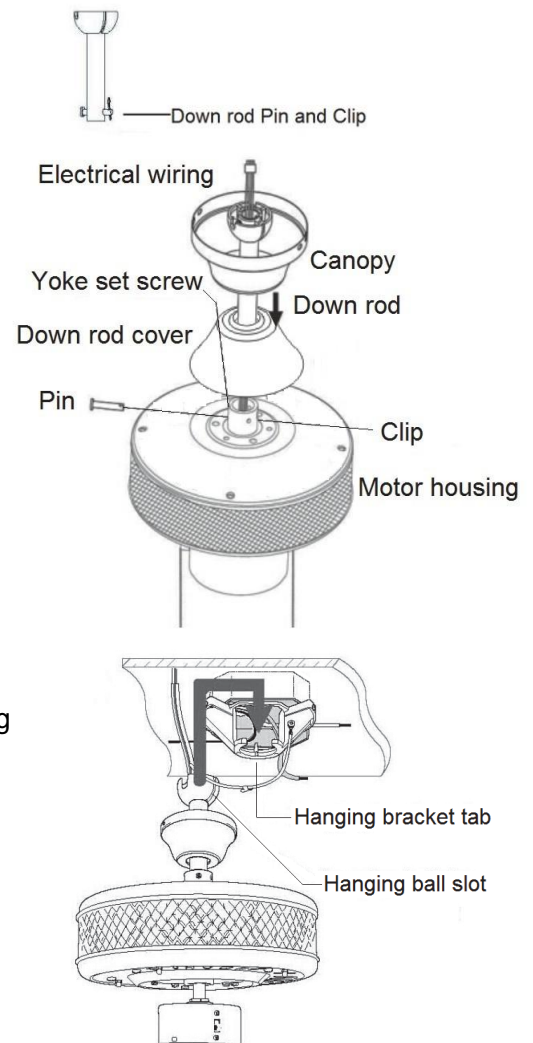
Remove Pin and Clip from down rod (if you have not already done so). Slide the Down rod through the canopy, and the Down rod cover as shown.

Thread the electrical wires through down rod and pull extra wire slack from the upper end of the down rod.

**Tip:** Apply small piece of electrical tape to the ends of the electrical wires to keep them together when threading them through the down rod.

Loosen the Yoke set screw. Place the Down rod into the Motor housing yoke and re-insert pin and clip that were previously removed. Tighten Yoke the set screw securely.

With the Hanging bracket secured to the outlet box and able to support the fan, you are now ready to hang your fan. Grab the fan firmly with two hands. Slide down the rod ball through the opening in the hanging bracket and let hanging ball rest on the hanging bracket. Turn the hanging ball slot until it lines up with the hanging bracket tab.



## 8. Wiring with Remote Receiver

**IMPORTANT:** you must set the ceiling fan manual pull chain switch to HIGH speed and light kit to ON position to ensure proper operation of the remote control.

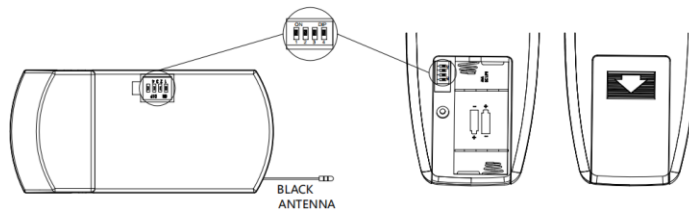
**⚠WARNING:** Failure to disconnect power supply prior to the installation may result in serious injury and fire hazard.

**CODE SWITCH** – see next page diagram

- Codes are set by pushing Dip switches up or down. It is imperative that the code used for both transmitter and receiver is exactly the same, otherwise the remote controller will not work. Please note the code switch will enable you to operate a second remote controller independently. For example, if you have two ceiling fans with 2 remote control units, set 2 different codes for each set of transmitter/receivers. This means you can operate each ceiling fan independently.
- Your remote control is ready for use after the batteries installation (AA batteries included).

**⚠CAUTION:** The batteries will weaken with age and should be replaced before leaking takes place as this will damage the transmitter. Dispose of used batteries properly, keep the batteries out of reach of children. To reduce the risk of fire or injury, do not use this product in conjunction with any variable (rheostat) wall control.

MODEL NO: 19543

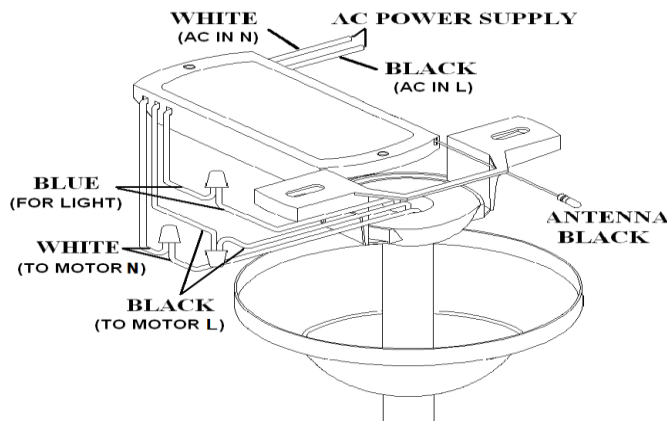


3. Install the receiver into the Hanging bracket of the fan.

This unit is to be used for the control of ceiling fan and in an AC120V 60Hz power supply only. Do not install in damp locations or immerse in water. For indoor use only. Do not pull on or cut the receiver wire leads shorter.

4. Proceed making the wire connections following this diagram carefully.

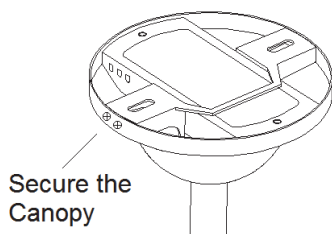
**⚠ CAUTION:** Incorrect wire connection would damage the receiver. Be sure outlet box is properly grounded or that a ground wire (**GREEN** or bare) is present.



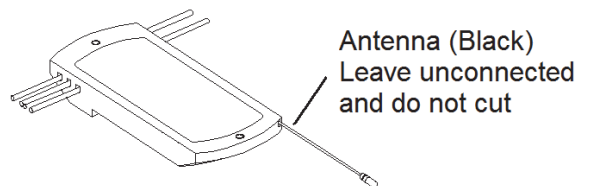
5. Ensure all the wire connectors are securing the wires firmly. It is recommended to apply electrical tape covering the connector and wires to further secure the connections.

6. The splices, after being carefully made, should be turned upward and pushed carefully up into the outlet box.

7. Then slide the Canopy up covering the Hanging bracket and Remote Receiver as shown. Secure the Canopy to the Hanging Bracket with the screws and washers provided.



Secure the Canopy



Antenna (Black)  
Leave unconnected  
and do not cut



**Important:**

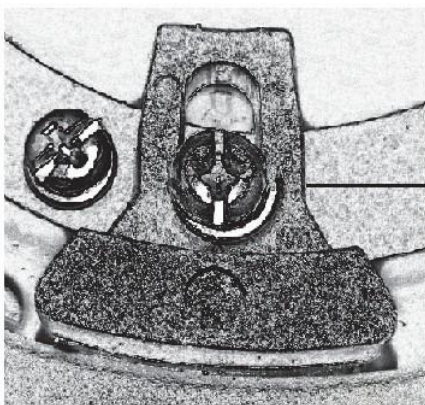
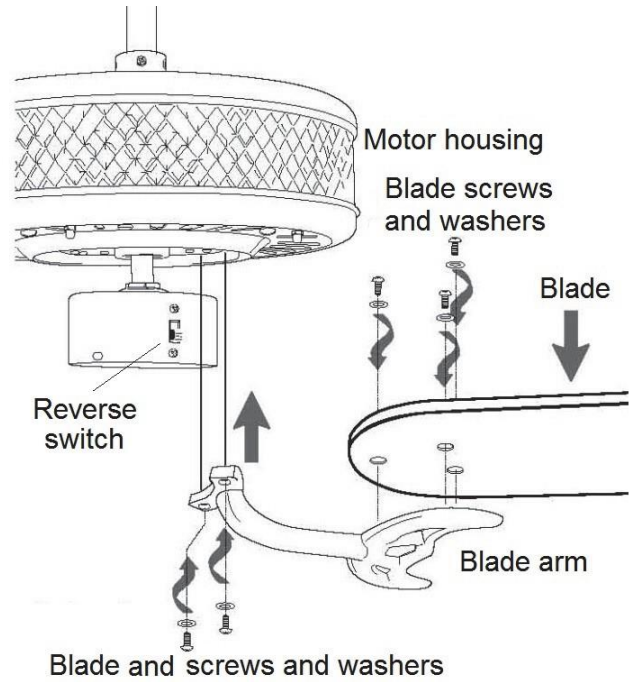
**Make sure all electrical connections comply with Local Codes or Ordinances and the National Electrical Code. If you are unfamiliar with electrical wiring, or if the house/building wires are different colors than those referred to in the instructions, please use a qualified electrician.**

## 8. Blade Assembly.

**Time Saver:** Washers for blade screws can be set on each blade screw prior to installing blades.

Locate 15 blade attachment screws and washers in one of the hardware packs. Hold blade arm up to blade and align holes. Insert 3 blade attachment screws (along with washers) with fingers first, and then tighten screws securely with a philip screwdriver. Repeat procedure for the remaining blades.

Remove the Blade arm screws and lock washers from the fan Motor housing and set aside. Then, remove the Motor shipping pads and discard (see figure to identify the pads). Align the Blade arm holes with motor screw holes and attach the blade arm with lock washers and blade arm screws. Before securing screws completely, repeat the procedure with all remaining blade arms. Secure all screws.



Motor shipping Pad

## 9. Light Kit Assembly.

1. Remove the three screws from the Light kit.
2. Plug the connectors from the Light kit to the connectors from the Switch housing.

Please note the correct wiring is:

- White to White
- Black to Blue

3. Gently push the connectors into switch housing and align the holes in the Light kit with holes in the Switch housing. Secure the light kit with the 3 screws that were previously removed.

Attach the Shade to the Light kit using the Finial you will find installed on the Light kit pipe. Insert the pull chains through the holes on shade, and then attach the pull chain Fobs. Do not over tighten the finial. Since this fan includes a Remote Controller you may decide not to install the Pull chains and Fob through the shade.

Install: E26, Type A, 6W (LED-5000K-Dimmable) x 2 (Included)

Important: When replacing the bulb(s), please allow bulb(s) and glass shade(s) to cool down before touching them.

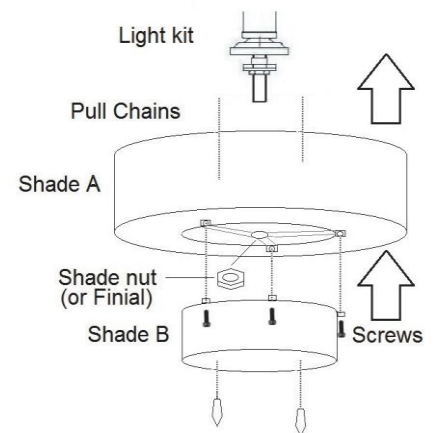
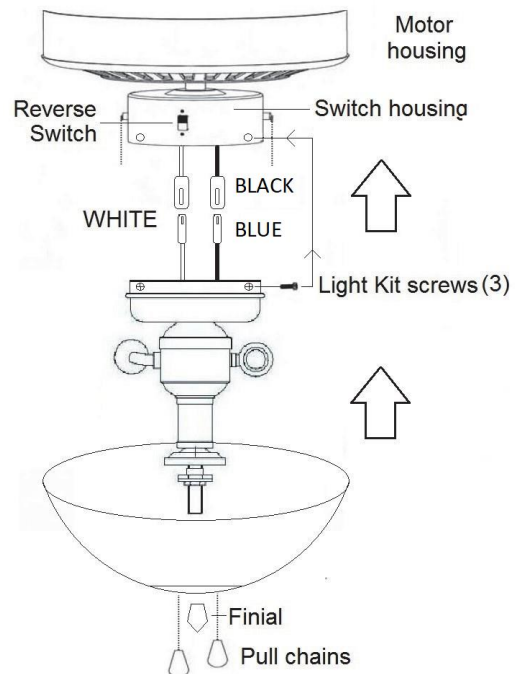
### **⚠ WARNING: DO NOT EXCEED INDICATED BULB WATTAGE**

Alternative bulbs usage: CFL or Incandescent bulbs may be used. Ensure the Max. Wattage indicated on the socket labels is not exceeded, and verify the bulbs do not get in contact with any metal part of the fan components (shade or motor housing)

## Tiered Shades Assembly if included with your Fan

1. Install the Shade A on the Light kit using the finial or nut provided.
2. Then using the nut or Final installed on the Light kit pipe attach the Shade A.
3. Remove the three screws from the Shade A and install the Shade B with the same screws. At the same time pass pull chains through the Shade B.

**Note:** Since this fan includes a Remote Controller you may decide not to install the Pull chains and Fob through the shade.





your global source for unique lighting + home decor

MODEL NO.: 19543

## Ceiling Fan Troubleshooting Guide

Welcome to the River of Goods family! We're honored you've decided to include one of our ceiling fans in your home.

| Problem  | Solution  |
|--|---|
| Fan/Lights do not start                          | <ul style="list-style-type: none"> <li>• Check all fuses/circuit breakers</li> <li>• Turn off electrical power and ensure the wiring is correct</li> <li>• Confirm that the remote/receiver dip switches are correctly synced</li> <li>• Check batteries in remote</li> <li>• Ensure the motor/lights are set to an "On" setting via the pull chains</li> </ul>   |
| Fan is noisy                                     | <ul style="list-style-type: none"> <li>• Allow a 24-hour "break in" period. Any level of noise louder than ambient levels should disappear during that time</li> <li>• Check the electrical mounting box and ensure it is securely fastened</li> <li>• Check all screws/wire connections on the fan to ensure they are securely fastened</li> <li>• Check to make sure the motor housing bulbs are not in contact with the motor</li> <li>• Use of an unapproved light dimmer or wall control can cause harmonic distortion and excess noise. Check to ensure that if installed, the wall control is approved for ceiling fan use</li> </ul>  |
| Fan does not move much air                       | <ul style="list-style-type: none"> <li>• Check the direction of the fan blades when running. If needed, flip the reverse switch on the motor housing to ensure the ceiling fan is moving air in the desired direction</li> <li>• Ensure no household items are obstructing the airflow of the ceiling fan</li> <li>• Check to ensure the ceiling fan is appropriate for the size of the room in which it is installed</li> </ul>  |
| Fan shakes or wobbles                            | <ul style="list-style-type: none"> <li>• A small amount of wobble is typical and acceptable and is not indicative of a defect</li> <li>• Ensure the electrical mounting box and hanging bracket are securely fastened</li> <li>• Install the included balancing kit. If undesired movement persists, simply change the location of the balancing kit until the excess movement ceases</li> </ul>  |
| Bulbs blinking on and off (Double Lit Fans Only) | <ul style="list-style-type: none"> <li>• For energy efficiency purposes, most ceiling fans are equipped with a wattage limiter</li> <li>• Wattage Limiter – 190W (lights only)</li> <li>• To remedy, ensure the total bulb wattage used is 190W or less</li> </ul>  |
| Remote Control not working                       | <ul style="list-style-type: none"> <li>• Ensure batteries are installed in remote</li> <li>• Ensure the remote/receiver are correctly synced (ensure dip switches identically set)</li> <li>• Ensure the wires from the receiver are correctly connected to the house wiring and ceiling fan wires</li> <li>• Make sure the pull chains have not set the lights or motor to "Off"</li> <li>• If the motor and/or lights are turned to an "Off" position via the pull chains, the remote will not turn them on</li> <li>• Simple tip: The lights and/or motor need to be turned to an "On" position via the pull chains in order for the remote to control the various settings</li> </ul> |

## MAINTENANCE

1. The fan natural movements may cause some connections to work loose. A clicking or rattling noise is a certain sign of loosening screws. Check the support connections, brackets and blade attachment twice a year, and tighten all screws as necessary.
2. Clean your fan periodically. Use only a damp cloth, never use solvents, and dust with a soft cloth or brush.
3. You will never need to oil your fan, its permanently sealed bearing will prevent noise.
4. Make sure the power is turned off at the main fuse or circuit panel before you attempt any repairs.