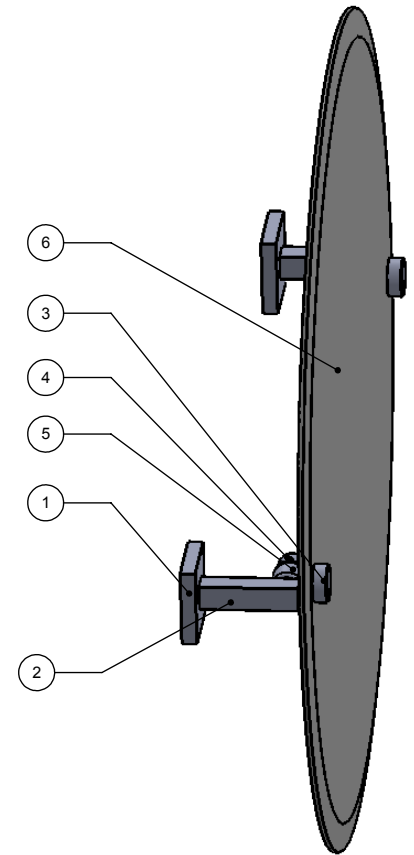
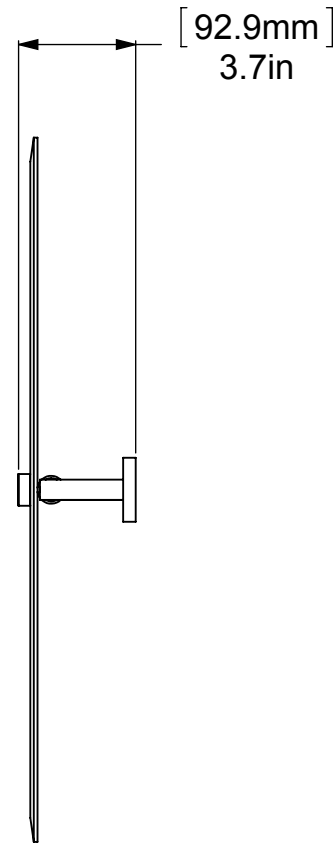
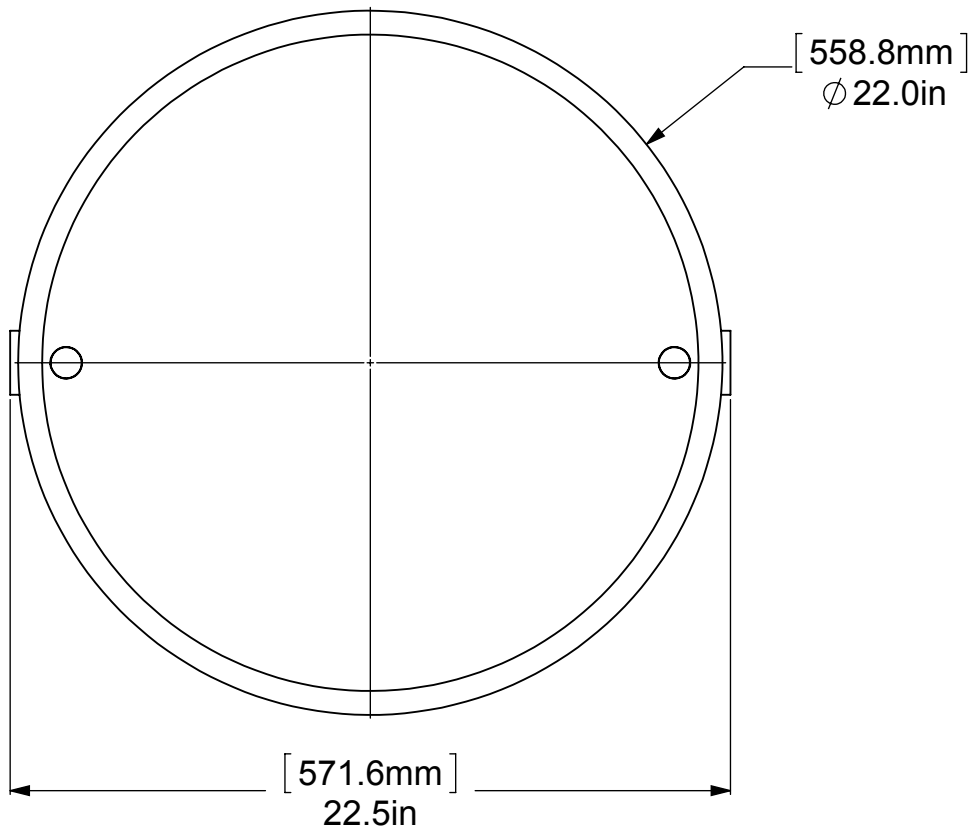


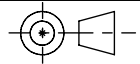
ITEM NO.	P/N	Description	QTY.
1	BPSQ	BACKPLATE	2
2	HKSQ-2.5	Neck	2
3	CARD-1	LOCK	2
4	LNMR-38	HUB	2
5	MR-TILT-FITT	TILT ADJUSTER	2
6	MRRD-90	MIRROR	1



UNLESS OTHERWISE STATED

.X	$\pm .3\text{mm}$
.XX	$\pm .15\text{mm}$
.XXX	$\pm .008\text{mm}$

COPYRIGHT © Allied Brass 2016



THIRD ANGLE PROJECTION

DRAWN	6/11/2016	I.M
CHECKED	6/11/2016	P.D
APPROVED	6/11/2016	R.A

MATERIAL:	BRASS
DESCRIPTION:	MIRROR



FINISH	TBD
QUANTITY	TBD
DRAWING No.	REV
MT-90	0
SCALE	1:8
SHEET: 01	A4