

INSTALLATION INSTRUCTIONS

Heavy-Duty Water Filtration System—GXWH35F (filters not included)

SAFETY PRECAUTIONS

- Check with your state and local public works department for plumbing and sanitation codes. You must follow these guidelines as you install the Heavy-Duty Water Filtration System. Using a qualified installer is recommended.
- Be sure the water supply conforms with the *Performance Data*. If the water supply conditions are unknown, contact your municipal water company.

▲ WARNING: Do not use with water that is microbiologically unsafe or of unknown quality without adequate disinfection before or after the system.

- It is highly recommended that a water shut-off valve be placed directly upstream of your household filter.

PROPER INSTALLATION

This Heavy-Duty Water Filtration System must be properly installed and located in accordance with the Installation Instructions before it is used.

- **Check with your local public works department for plumbing codes. You must follow their guides as you install the Heavy-Duty Water Filtration System.**
- **Use the Heavy-Duty Water Filtration System on a potable, safe-to-drink, home COLD water supply only. The filter cartridge will not purify water or make unsafe water safe to drink. DO NOT use on HOT water (100°F max).**
- **Protect the Heavy-Duty Water Filtration System and piping from freezing. Water freezing in the system will damage it.**
- **Your Heavy-Duty Water Filtration System will withstand up to 100 psi water pressure. If your house water supply pressure is higher than 100 psi during the day (it may reach higher levels at night), install a pressure-reducing valve before the system is installed.**

- Do not install on **HOT WATER**. The temperature of the water supply to the Heavy-Duty Water Filtration System must be between the minimum of 40°F and the maximum of 100°F. See the *Performance Data* section.

- **Do not** install the Heavy-Duty Water Filtration System using copper solder fittings. The heat from the soldering process will damage the unit.

▲ WARNING: Discard all unused parts and packaging material after installation. Small parts remaining after installation could be a choke hazard.

- **Do not** install filter in an outside location or anywhere it will be exposed to sunlight.

REQUIRED TOOLS AND ACCESSORIES

FOR INSTALLATION

- 2 Adjustable wrenches
- Pipe cutter
- Ruler or tape measure
- Cordless drill
- File
- Emery paper
- Screwdriver
- Additional installation parts may be required:
 - 2 fittings to connect household plumbing to 1" female NPTF threads on filter housing.
 - UL-approved grounding clamps and 6-gauge copper grounding wire.
 - Teflon tape

Optional accessories are available (Visa, MasterCard or Discover cards accepted) by visiting our Website at GEAppliances.com or from Parts and Accessories, call 800.626.2002 (U.S.) or 800.663.6060 (Canada).

CONTENTS INCLUDED WITH PRODUCT

- Filter housing and head
- Product literature
- Canister wrench
- Timer and batteries
- Mounting bracket
- 4 Hex-head screws and 4 Hex washer-head screws



GXWH35F is Tested and Certified by NSF International against NSF/ANSI Standard 42 with cartridge FXHTC for the reduction of Chlorine, Taste and Odor.

184D1061P002 (06-09 JR) 49-50201-5

GEAppliances.com

GENERAL ELECTRIC COMPANY, Appliance Park, Louisville, KY 40225

CARTRIDGE SPECIFICATIONS

Performance Data

This system has been tested according to NSF/ANSI 42 for the reduction of the substances listed at right. The concentration of the indicated substances in water entering the system was reduced to a concentration less than or equal to the permissible limit for water leaving the system, as specified in NSF/ANSI 42.

FXHTC Cartridge

Substance	Influent Challenge Concentration	Reduction Requirements	Average Reduction
Standard 42			
Chlorine	2.0 mg/L \pm 10%	\geq 50%	93.1%

Test Conditions

Flow Rate: 4 gpm (15.1 Lpm)
 pH: 7.5 \pm 1
 Inlet Pressure: 60 PSI (4.1 bar)
 Temperature: 68°F \pm 5°F (19.8°C \pm 2.5°C)

Operating Requirements

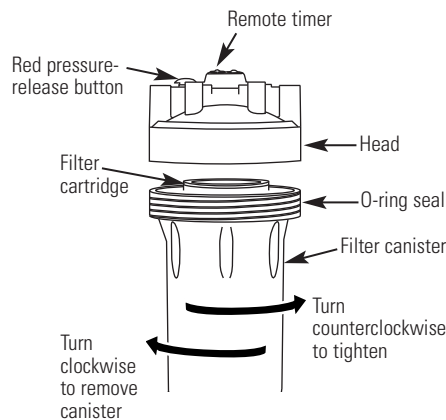
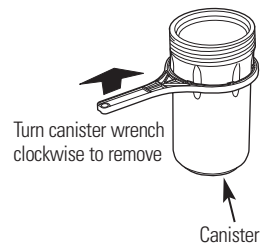
Pressure: 30–125 PSI (2.1–6.9 bar)
 Turbidity: 5 NTU Max.
 Temperature: 40°F–100°F (4.4°C–37.7°C)
 Capacity: 30,000 gallons (113,562L) or 3 months

Testing was performed under standard laboratory conditions; actual performance may vary.

Filter Cartridge Replacement

You should change your filter when the water flow is noticeably reduced or at least every 3 months.

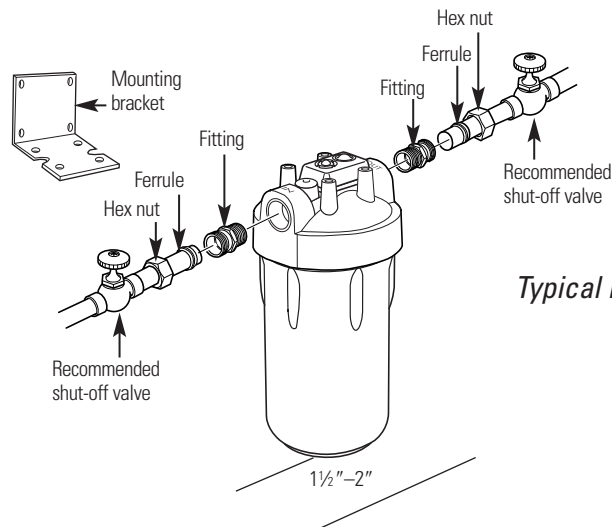
- 1 Turn off water to filter. Water must be shut off from an upstream valve.
- 2 Press the red pressure-release button to release pressure.
- 3 Unscrew the filter canister and discard used filter. Wash the filter canister with mild soap and water. **Do not** use harsh cleaners or hot water.
- 4 Inspect the filter canister O-ring. Make sure it is lightly lubricated with clean food-grade silicone grease (silicone grease is available through GE Parts and Service: 1.800.626.2002, part number WS60S10005). Be sure the O-ring is seated in the groove. It is recommended that you replace the O-ring if it is damaged.
- 5 Place a new filter cartridge into the canister, making sure it is centered and completely seated on the bottom seal.
- 6 Reinstall the filter canister to the unit. Use the canister wrench to tighten the canister. **DO NOT OVERTIGHTEN.**
- 7 Slowly turn on water to the filter by using the upstream shut-off valve.
- 8 Press the red pressure-release button to remove trapped air.
- 9 After installation, flush the cartridge for 15 minutes.



STEP-BY-STEP INSTALLATION INSTRUCTIONS

Installation Overview

NOTE: Be sure to allow a minimum space of 1½"–2" under the filter for removing the sump to change the cartridge.



STEP-BY-STEP INSTALLATION INSTRUCTIONS (cont.)

Select Location

Select a location for the filter that is:

- protected from freezing.

Cut Water Line

▲ WARNING: A copper or galvanized cold water pipe may be used to ground electrical outlets in the home. Failure to maintain this ground path may result in an electric shock hazard. If the cold water pipe is used to ground electrical outlets, please refer to the *Installing the Ground Wire* section before cutting the pipe.

- 1 Turn off the water supply and open a nearby faucet to drain the water out of pipes.
- 2 Using a tape measure or ruler, measure the distance “D” as shown.

■ **NOTE:** It is recommended that the shut-off valve be placed before and after the filter as shown in the *Installation Overview* illustration.

- not exposed to direct sunlight.

It is recommended that a shut-off valve be placed on both sides of the filter.

It is recommended that a mounting bracket be used.

Install Mounting Bracket and Fittings

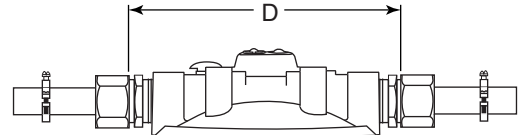
Instructions are for installing fittings onto copper plumbing. If the unit is to be installed on any other type of tubing (plastic, PVC, galvanized), consult a qualified plumber for additional hardware.

- 1 Attach heavy-duty mounting bracket to head assembly with four hex-head screws as shown in illustration.
The bracket can be used as a template for marking the location of the mounting screws.
- 2 Apply 4 or 5 wraps of Teflon tape, in a clockwise direction, to the pipe threads of each fitting. **DO NOT** use joint compound on any parts connecting to filter housing.



- Select a secure location surface to install filter and mounting bracket. The location should align the filter system with inlet and outlet pipe and should not cause the pipes to bend or damage. Mark the distance “D” on the pipe. D is about 7¾”.

- 3 Using a pipe cutter, cut pipe. Sand (file) cut ends of pipe to ensure that they are square and smooth.

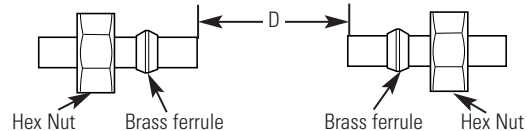
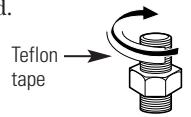


■ **NOTE:** Have a bucket and towel available to collect excess water.

Attach Fittings to Water Line

- 1 Slip a compression nut onto each pipe.
- 2 Next, slip the brass ferrule onto each pipe.

- 3 Assemble fitting to the inlet and outlet of the head. Start each fitting by hand to make sure they don't cross-thread. Use an adjustable wrench to tighten fittings. **DO NOT OVERTIGHTEN.** About 1–2 thread(s) should remain visible.
- 4 Use four hex washer-head screws to mount bracket to the wall firmly. Use proper anchors on wall. Anchors are **NOT** included.



Installing the Unit

- 1 Align filter assembly with pipe ends making certain that the **incoming** water supply is going into the filter opening marked “IN”. It may be necessary to spread the pipe ends apart to install filter assembly.
- 2 Using two adjustable wrenches, hold incoming fitting securely with one wrench and tighten nut with second wrench. Repeat this procedure for outgoing fitting.

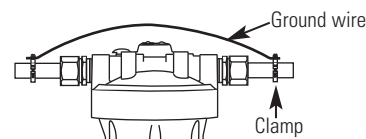
- 3 If mounting bracket is not used, support the water pipe on either side of the filter unit.
- 4 Install a filter and tighten canister to seal (see *Filter Cartridge Replacement* section).

Installing the Ground Wire

NOTE: If your house plumbing is plastic, it would not be used as a grounding path, and this step should be skipped.

IMPORTANT: A copper or galvanized house cold water pipe is often used to ground electrical outlets in the home. **Grounding protects you from electrical shock.** The water filter housing may have broken this ground path. To restore connection, install an 18”-long, 6-gauge copper wire across the filter, tightly clamped using UL-approved 1/2”–1” bronze grounding clamps at both ends as shown. Zinc clamps should not be used on copper plumbing. Wire and clamps may be purchased separately from your local hardware store.

- 1 Clean copper pipe and ends of wire with emery paper. Bare wire is recommended. If insulated wire is used, it should be stripped 3/4” at each end before cleaning with emery paper.
- 2 Attach bronze clamps to pipe. Tighten screws.
- 3 Attach wire to clamps as shown. Tighten screws.

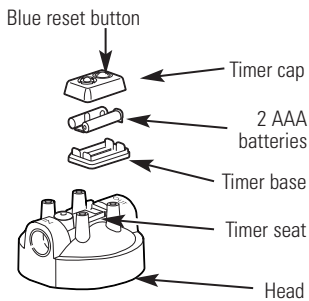


Final Check

- 1 Install filter, if not already done (see *Filter Cartridge Replacement* section).
- 2 Slowly turn on water supply.
- 3 Check entire system for leaks.

- 4 If leaking from fittings, shut off water pressure and tighten or reseal fittings. If leaking from the canister, tighten canister with a wrench.
- 5 After installation, flush the cartridge for 15 minutes.

Timer Installation and Reset Instructions



Timer battery installation and change

Insert coin or screwdriver in the slot between timer cap and base. Gently pry them open and separate timer base from cap. Install or change 2 new AAA 1.5-volt batteries. After having the batteries in place, line up the base and cap and snap them back together.

It is recommended to change the batteries at least every 2 filter changes.

Do not mix old and new batteries. Do not mix alkaline, standard (carbon-zinc) or rechargeable (ni-cad, ni-mh, etc.) batteries.

Installation of timer

Hold the timer body in the center and gently push timer to its seat at the top of the head. Or attach it in a remote location for easy viewing.

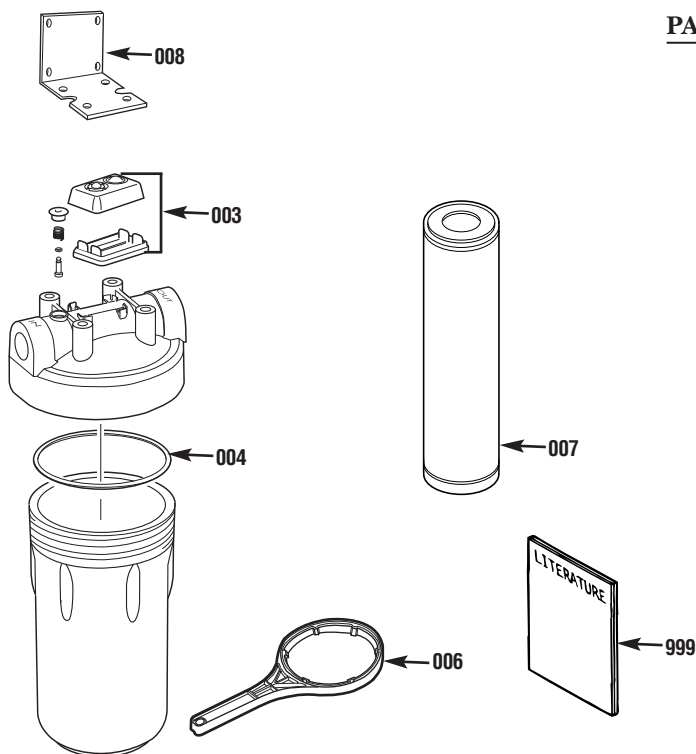
Timer reset and application

After new batteries are installed or filter is changed, push and hold the timer blue reset button for approximately 5 seconds. Release the reset button after the light flashes 5 times. The light will flash again in 90 days to remind you that it is time to change the filter.

PARTS LIST

Ref. No.	Part No.	Part Description	
003	WHTIMER	Timer	1
004	WS03X10054	O-Ring	1
006	HDWRNCH	Canister Wrench	1
007	FXHTC	Filter Element—Carbon Filter	—
	FXHSC	Filter Element—Pleated	—
008	HDBRKT	Mounting Bracket	1
999	49-50201-4	Installation Instructions	1

To obtain replacement parts, call toll-free 800.626.2002 (U.S.), 800.663.6060 (Canada—English), 800.361.3869 (Canada—French).



LIMITED ONE-YEAR WARRANTY

- **What does this warranty cover?**
 - Any defect in materials or workmanship in the manufactured product.
- **What does this warranty not cover?**
 - Filter cartridge and batteries after 30 days from date of purchase.
 - Service trips to your home to teach you how to use the product.
 - Improper installation, delivery or maintenance.
 - Failure of the product if it is abused, misused, altered, used commercially or used for other than the intended purpose.
 - Use of this product where water is microbiologically unsafe or of unknown quality, without adequate disinfection before or after the system. Systems certified for cyst reduction may be used on disinfected water that may contain filterable cysts.
 - Damage to the product caused by accident, fire, floods or acts of God.
 - **Incidental or consequential damage caused by possible defects with this appliance, its installation or repair.**
- **For how long after the original purchase?**
 - One (1) year.

How do I make a warranty claim?

- Return to the retailer from which it was purchased, along with a copy of the "Proof of Purchase." A new or reconditioned unit will be provided. This warranty excludes the cost of shipping the product to your home.

EXCLUSION OF IMPLIED WARRANTIES—Your sole and exclusive remedy is product exchange as provided in this Limited Warranty. Any implied warranties, including the implied warranties of merchantability or fitness for a particular purpose, are limited to one year or the shortest period allowed by law.

This warranty is extended to the original purchaser and any succeeding owner for products purchased for home or office use within the USA. In Alaska, the warranty excludes the cost of shipping or service to your home or office.

Some states do not allow the exclusion or limitation of incidental or consequential damages. This warranty gives you specific legal rights, and you may also have other rights, which vary from state to state. To know what your legal rights are, consult your local or state consumer affairs office or your state's Attorney General.

Contact us at GEAppliances.com, or call toll-free at 800.952.5039 in the U.S., or 866.777.7627 in Canada.

INSTRUCTIONS D'INSTALLATION

Système de filtration d'eau pour service rigoureux—GXWH35F (filtres non inclus)

MESURES DE SÉCURITÉ

- Consulter le service local des travaux publics au sujet des codes de plomberie et de raccordement aux égouts. L'installation du système de filtration d'eau pour service rigoureux doit être conforme aux prescriptions du code de plomberie local. On recommande qu'un installateur qualifié soit chargé de l'installation.
- Vérifier que l'eau à traiter est conforme aux *Caractéristiques complètes*. Si les caractéristiques de l'eau à traiter ne sont pas connues, contacter le service municipal de distribution d'eau.

⚠ AVERTISSEMENT : Ne pas utiliser ce produit avec de l'eau microbiologiquement polluée ou de qualité inconnue sans avoir installé un dispositif de désinfection approprié avant ou après le système.

- On recommande fortement l'installation d'un robinet d'arrêt directement en amont du système de filtration.

INSTRUCTIONS D'INSTALLATION

Avant toute utilisation, on doit installer le système de filtration d'eau (pour service rigoureux) à un emplacement adéquat conformément aux instructions d'installation.

- Consulter le service local des travaux publics au sujet des codes de plomberie. L'installation du système de filtration d'eau pour service rigoureux doit être conforme aux prescriptions du code de plomberie local.
- Utiliser le système de filtration d'eau pour service rigoureux uniquement sur une canalisation d'eau potable FROIDE. Les cartouches de filtration ne purifient pas l'eau et ne peuvent rendre potable une eau qui ne l'est pas. **NE PAS utiliser ce produit sur une canalisation d'eau CHAUDE (100°F maximum).**
- Protéger le système de filtration d'eau pour service rigoureux et la tuyauterie contre le gel. La congélation d'eau dans le système lui fera subir des dommages.
- Le système de filtration d'eau pour service rigoureux peut résister à une pression maximale de 100 lb/po². Si la pression de distribution locale est supérieure à 100 lb/po² durant la journée (elle peut atteindre un niveau plus élevé la nuit), installer un robinet de réduction de pression en amont du système de filtration d'eau.

- Ne pas installer le système sur une canalisation **D'EAU CHAUDE**. La température de l'eau à filtrer pour service rigoureux doit être située entre 40°F (minimum) et 100°F (maximum). Voir les *Caractéristiques complètes*.
- Lors de l'installation du système de filtration d'eau pour service rigoureux, **ne pas** utiliser des raccords de cuivre à souder. La chaleur émise lors de l'opération de soudage fera subir des dommages au système.

⚠ AVERTISSEMENT : Éliminer en sécurité les petites pièces qui peuvent rester inutilisées après l'installation; elles peuvent susciter un danger d'étouffement pour les jeunes enfants.

- **Ne pas** installer le filtre à l'extérieur ou à un endroit exposé au rayonnement solaire.

OUTILLAGE ET ACCESSOIRES REQUIS POUR L'INSTALLATION

- 2 Clés à molette
- Coupe-tuyau
- Mètre ruban ou mètre règle
- Perceuse sans fil
- Lime
- Papier Émeri
- Tournevis
- Il peut être nécessaire d'avoir des accessoires complémentaires :
 - 2 raccords pour relier le tuyau de l'habitation au filetage du NPTF femelle de 1 po sur le logement du filtre.
 - Attaches de mise à la masse homologuées UL et fil de mise à la masse en cuivre de calibre 6.
 - Ruban en Téflon

Les accessoires en option sont disponibles (cartes Visa, Mastercard ou Discover acceptées) en visitant notre site Web à www.electromenagersge.ca ou en vous adressant à notre service des Pièces et Accessoires au 800.626.2002 (U.S.) ou 800.361.3869 (Canada).

ARTICLES FOURNIS AVEC LE PRODUIT

- Corps de filtre et tête de filtre
- Brochures descriptives
- Clé pour absorbeur
- La minuterie et les piles
- Support de montage
- 4 vis à tête hexagonale et 4 vis avec tête à rondelle hexagonale



Le système GXWH35F a été testé et homologué par NSF International selon la norme NSF/ANSI 42 avec une cartouche FXHTC en matière de réduction de chlore, du goût et de l'odeur.

184D1061P002 (06-09 JR) 49-50201-5

www.electromenagersge.ca

GENERAL ELECTRIC COMPANY, Appliance Park, Louisville, KY 40225

SPÉCIFICATIONS DE CARTOUCHE

Caractéristiques complètes

Ce système a été testé selon NSF/ANSI 42 pour la réduction des substances répertoriées à droit. La concentration des substances indiquées dans l'arrivée d'eau du système a été réduite à une concentration inférieure ou égale à la limite admissible pour l'eau sortant de l'équipement, comme spécifié par NSF/ANSI 42.

Cartouche FXHTC

Substance	Concentration d'agents polluants dans l'arrivée d'eau	Spécifications de réduction	Réduction moyenne
Norme 42			
Chlore	2,0 mg/l ± 10%	≥ 50%	93,1%

Conditions de test

Débit : 15,1 l/min (4 gal/min)
 pH : 7,5 ± 1
 Pression d'entrée : 60 psi (4,1 bar)
 Température : 19,8 ± 2,5 °C (68 ± 5 °F)

Spécifications de fonctionnement

Pression : 30 à 125 psi (2,1 à 6,9 bar)
 Turbidité : 5 NTU max
 Température : 4,4 à 37,7 °C (40 à 100 °F)
 Capacité : 113,562 l (30,000 gal) ou 3 mois

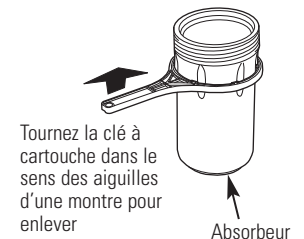
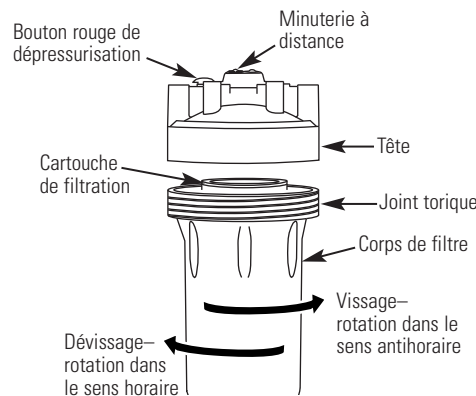
Les tests sont effectués dans des conditions standard de laboratoire; la performance réelle de l'équipement peut varier.

Remplacement de la cartouche de filtration

On doit changer la cartouche de filtration lorsque le débit d'eau diminue sensiblement, et au moins à intervalles de trois mois.

- 1 Fermer l'arrivée d'eau au filtre. On doit fermer le robinet d'arrêt en amont.
- 2 Dépressuriser le système : appuyer sur le bouton rouge.
- 3 Dévisser le corps de filtre; jeter la vieille cartouche. Laver le corps de filtre avec de l'eau et un savon doux. **Ne pas** utiliser de l'eau chaude ou un produit de nettoyage énergétique.
- 4 Inspecter le joint torique du corps de filtre. Assurez-vous que le joint torique soit légèrement lubrifié avec de la graisse de silicone alimentaire (vous trouverez la graisse de silicone au service de pièces et d'entretien GE, en téléphonant au 1.800.626.2002, numéro de pièce WS60S10005). Assurez-vous que le joint torique repose bien dans le sillon. Remplacer le joint torique s'il est endommagé.
- 5 Placer la nouvelle cartouche de filtration dans le corps de filtre; placer correctement et bien centrer la cartouche sur le joint du fond.
- 6 Revisser le corps de filtre sur la tête. Utilisez le clé pour absorbeur fournie pour serrer la cartouche de filtration. **NE PAS SERRER EXCESSIVEMENT.**

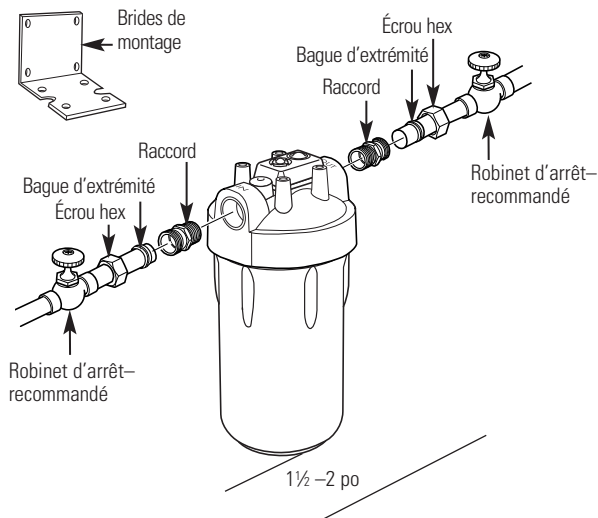
- 7 Rétablir lentement l'arrivée d'eau au filtre avec le robinet d'arrêt en amont.
- 8 Appuyer sur le bouton rouge pour permettre l'évacuation de l'air piégé.
- 9 Après l'installation, rincer la cartouche pendant 15 minutes.



ÉTAPES DE L'INSTALLATION

Illustration de l'installation

NOTE : Veiller à ce qu'il y ait un espace libre d'au moins 1½ - 2 po sous le filtre pour l'extraction du corps de filtre lors du changement de la cartouche.



ÉTAPES DE L'INSTALLATION (suite)

Emplacement d'installation

Choisir l'emplacement approprié comme suit :

- pas d'exposition au gel.

Sectionnement de la canalisation d'eau

⚠ AVERTISSEMENT : Une canalisation d'eau froide en cuivre ou en acier galvanisé peut être utilisée pour la mise à la terre des prises d'alimentation électrique dans la maison. Le défaut de maintenir ce trajet de mise à la terre peut entraîner un risque d'électrocution. Si la canalisation d'eau froide est utilisée pour la mise à la terre des prises d'alimentation électrique, veuillez consulter la section *Installation du conducteur de liaison à la terre* avant de couper la canalisation.

- 1 Fermer l'arrivée d'eau; ouvrir un robinet pour purger l'eau des tuyauteries.
- 2 À l'aide d'un ruban-mètre ou d'une règle, mesurer la distance «D» indiquée sur l'illustration.

■ **NOTE :** On recommande d'installer un robinet d'arrêt avant et après le filtre— voir l'illustration de l'installation.

Pose des raccords

Les instructions sont destinées à l'installation des raccords sur la tuyauterie en cuivre. Si l'unité doit être installée sur tout autre type de tuyau (plastique, PVC, galvanisé), consultez un plombier qualifié pour de la quincaillerie supplémentaire.

- 1 Fixez le support de montage sec à l'ensemble de tête avec quatre vis à tête hexagonale comme le montre l'illustration. Vous pouvez utiliser le support de montage comme gabarit pour marquer l'emplacement des vis de montage.
- 2 Enrouler 4 ou 5 tours de ruban de Teflon (sens horaire) sur le filetage pour chaque raccord. **NE PAS** utiliser un composé d'étanchéité sur les pièces connectées au corps de filtre.

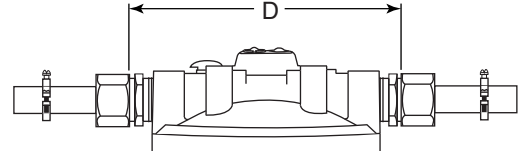


- pas d'exposition au rayonnement solaire direct.
- On recommande d'installer un robinet d'arrêt de chaque côté du filtre.

Il est recommandé d'utiliser un support de fixation.

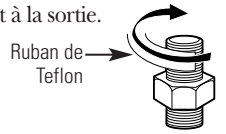
- Choisissez une surface solide pour installer le filtre et le support de montage. L'emplacement doit aussi être choisi de façon à aligner le filtre sur les canalisations d'entrée et de sortie et à ne pas plier ou endommager celles-ci. Marquer la distance «D» sur la tuyauterie. D est aux environs de 7¼ po.

- 3 Avec un coupe-tuyau, couper la canalisation. Poncer à chaque extrémité pour éliminer les bavures.



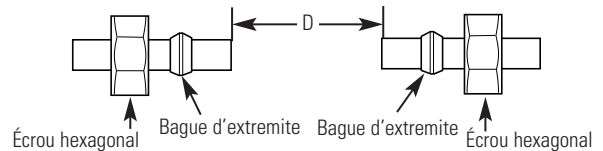
■ **NOTE :** Préparez un seau et une serviette pour recueillir l'eau qui coule.

- 3 Installer un raccord sur la tête du filtre, à l'entrée et à la sortie. Commencer le vissage à la main et veiller à ne pas détériorer le filetage. Utiliser une clé à molette pour serrer les raccords. **NE PAS SERRER EXCESSIVEMENT.** Un filet ou deux doivent rester visibles.
- 4 Utilisez quatre vis à rondelle hexagonale pour bien fixer le support au mur. Utilisez les bonnes ancres pour le mur. Les ancres ne sont **PAS** comprises.



Installation des raccords sur la canalisation

- 1 Sur chaque tuyau, enfiler l'écrou de compression.
- 2 Enfiler ensuite la bague d'extrémité sur chaque tuyau.



Installation du filtre

- 1 Aligner le filtre avec les deux sections de la canalisation; veiller à ce que la canalisation **d'arrivée** soit placée devant l'entrée du filtre, marquée «IN». Il peut être nécessaire d'écartier les deux sections de la tuyauterie pour installer le filtre.
- 2 Au moyen de deux clés à molette, maintenir le raccord d'arrivée solidement avec une clé et serrer l'écrou avec la seconde clé. Répéter le processus pour le raccord de sortie.

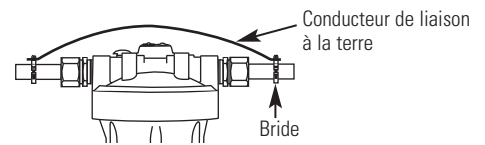
- 3 Si le support de montage n'est pas utilisé, soutenir la tuyauterie d'eau de chaque côté du filtre.
- 4 Installez un filtre et serrez la cartouche pour sceller (consultez la section de *Remplacement de la cartouche de filtration*).

Installation du conducteur de liaison à la terre

NOTE : Si les tuyauteries de votre domicile sont en plastique, elles ne peuvent être utilisées pour une liaison à la terre, dans ce cas, ignorez cette étape.

IMPORTANT : Fréquemment, on utilise un tuyau d'eau froide en cuivre ou en métal galvanisé pour effectuer une liaison à la terre des prises électriques de la maison. **Cette mise à la masse vous protège contre les chocs électriques** et cette liaison à la terre peut avoir été neutralisée par le logement du filtre d'eau. Pour rétablir la connexion, montez un fil en cuivre de 18 po et de calibre 6 le long du filtre, lequel sera fixé solidement au moyen d'attaches en bronze homologuées par UL de dimensions variant entre 1/2 po – 1 po à chaque extrémité comme indiqué. N'utilisez pas d'attaches en zinc sur le cuivre. Il est possible d'acquiescer le fil et les attaches séparément chez votre quincaillier.

- 1 Nettoyez le fil en cuivre et ses extrémités avec du papier Émeri. Il est recommandé de dénuder le fil. Si le fil est isolé, il faut le dénuder sur une longueur de 3/4 po à chaque extrémité avant de les passer au papier Émeri.
- 2 Placez les attaches en bronze sur le fil. Serrez les vis.
- 3 Fixez le fil sur les attaches comme indiqué. Serrez les vis.

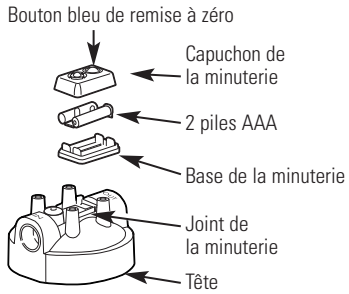


Contrôle final

- 1 Installez le filtre, si vous ne l'avez pas encore faites (voir la partie de *Remplacement de la cartouche de filtration*).
- 2 Ouvrir doucement l'arrivée d'eau.
- 3 Inspecter l'ensemble du système pour rechercher les fuites.

- 4 S'il y a une fuite des joints, fermer l'arrivée d'eau et resserrer les raccords ou améliorer leur étanchéité. Si la cartouche fuit, serrez-la avec une clé.
- 5 Après l'installation, rincer la cartouche pendant 15 minutes.

Installation de la minuterie et instructions de réglage



Installation et remplacement de la pile de la minuterie

Insérez une pièce ou un tournevis entre le capuchon de minuterie et sa base. Ouvrez doucement en faisant lever et séparez la base de la minuterie de son capuchon. Installez ou remplacez les deux piles AAA 1,5 volt. Après avoir mis les piles en place, alignez la base et le capuchon et fixez-les ensemble.

Nous vous recommandons de remplacer les piles à moins tous les deux changements de filtre.

Ne mélangez pas des piles usées avec des neuves, ni des piles alcalines avec des piles standard (carbone-zinc) ou rechargeables (ni-cad, ni-mh, etc.).

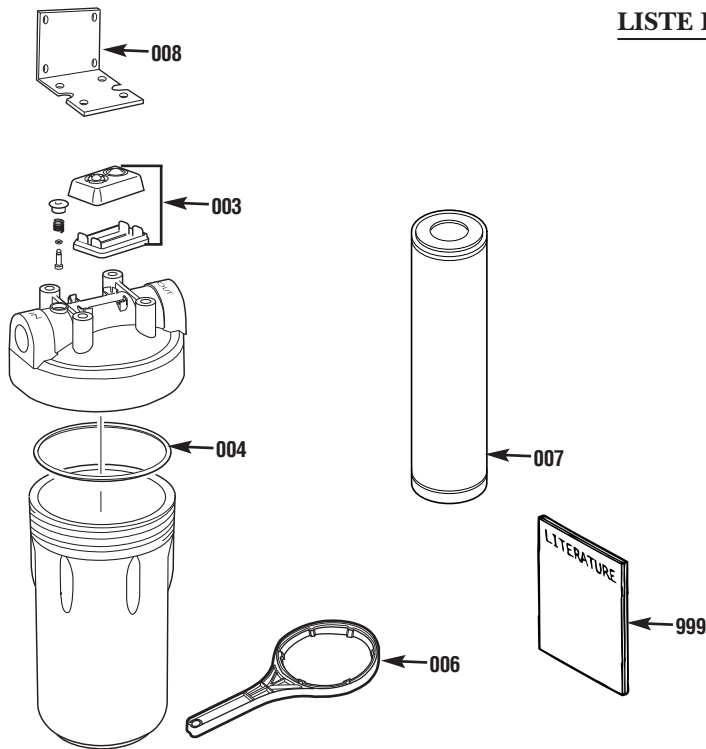
Installation de la minuterie

Tenez la minuterie de au centre et poussez doucement la minuterie jusqu'à ce qu'elle soit fixée en haut de la tête. Ou fixez-la dans un emplacement éloigné où vous pourrez la lire facilement.

Réglage de la minuterie et application

Après avoir installé de nouvelles piles et changé les filtres, appuyez sur le bouton bleu de remise à zéro de la minuterie et maintenez-le appuyé pendant environ 5 secondes. Relâchez le bouton de réglage après que la lumière ait brillé cinq fois. La lumière se remettra en marche dans 90 jours pour vous rappeler de changer votre filtre.

LISTE DES PIÈCES



N° de repérage	Pièce n°	Description	
003	WHTIMER	Minuterie	1
004	WS03X10054	Joint torique	1
006	HDWRNCH	Clé pour absorbateur	1
007	FXHTC	Élément de filtre : au charbon	—
	FXHSC	Élément de filtre – plaidé	—
008	HDBRKT	Brides de montage	1
999	49-50201-4	Instructions d'installation	1

Pour obtenir des pièces de rechange, composez sans frais le 800.626.2002 (États-Unis), le 800.663.6060 (Canada, langue anglaise), le 800.361.3869 (Canada, langue française).

GARANTIE LIMITÉE D'UN AN

- **Que couvre la garantie?**
 - Tout défaut de matériel ou de main d'oeuvre du produit.
- **Q'est-ce qui n'est pas couvert par la garantie?**
 - La cartouche de filtre et les piles après trente jours à partir de la date d'achat.
 - Les déplacements à votre domicile pour vous enseigner comment utiliser le produit.
 - Une installation, remise ou entretien incorrecte.
 - Une panne du produit causée par un abus d'utilisation, une mauvaise utilisation, toute modification, exploitation commerciale ou une utilisation du produit dans un but non prévu.
 - Utilisation de ce produit lorsque l'eau est microbiologiquement impure ou de qualité inconnue sans qu'une désinfection adéquate n'ait eu lieu avant l'entrée et sortie dans le circuit. Les systèmes homologués pour une réduction des microbes peuvent être utilisés après désinfection de l'eau pouvant contenir des microbes filtrables.
 - Tout dommage causé au produit par accident, incendie, inondation ou acte de Dieu.
 - **Tout dommage fortuit ou indirect causé par des défauts éventuels de cet appareil, son installation ou les réparations effectuées.**
- **Quelle est la durée de la garantie après l'achat?**
 - Un an.

- **Comment dois-je faire ma réclamation?**

— Ramenez le produit au magasin où vous l'avez acheté avec une exemplaire de la "Preuve d'achat". Une unité neuve ou remise à neuf sera fournie. Cette garantie exclut les coûts d'expédition ou les déplacements de service à votre domicile.

EXCLUSION DE GARANTIES IMPLICITES—Votre seul et unique recours est l'échange du produit selon les dispositions de cette Garantie limitée. Toutes les garanties implicites, incluant les garanties de commercialité et d'adéquation à un usage spécifique, sont limitées à une année ou à la période la plus courte autorisée par la législation.

Cette garantie couvre l'acheteur original et tout propriétaire subséquent des produits achetés à des fins résidentielles ou de bureau à l'intérieur des États-Unis. En Alaska, cette garantie exclut le coût d'expédition ou les appels de service à votre maison ou bureau.

Certains États ne permettent pas l'exclusion ou la restriction des dommages accessoires ou consécutifs. Cette garantie vous donne des droits juridiques particuliers, mais vous pouvez également avoir d'autres droits qui varient d'État à État. Pour connaître vos droits juridiques, consultez le bureau de protection du consommateur de votre localité, de votre État ou le procureur général de votre État.

Contactez nous sur GEAppliances.com, ou appelez le numéro sans frais 800.952.5039 aux États-Unis. Au Canada, contactez nous sur www.electromenagersge.ca, ou appelez le numéro sans frais 866.777.7627.

INSTRUCCIONES DE INSTALACION

Sistema de filtración de agua extrafuerte—GXWH35F (filtros no incluidos)

PRECAUCIONES DE SEGURIDAD

- Consulte con su departamento de obras públicas local y estatal para los códigos de plomería y sanidad. Usted debe seguir estas reglas a medida que instale el sistema de filtración de agua extrafuerte. El uso de un instalador calificado es recomendado.
- Asegúrese que el abastecimiento de agua cumple con las *Datos del desarrollo*. Si las condiciones del abastecimiento de agua son desconocidas, póngase en contacto con su compañía de agua municipal.

⚠ ADVERTENCIA: No use con agua que sea bacteriológicamente insegura o de calidad desconocida sin una desinfección adecuada antes o después del sistema.

- Es altamente recomendado que la válvula de cierre sea colocada directamente hacia arriba de su filtro de hogar.

INSTALACION CORRECTA

Este sistema de filtración de agua extrafuerte debe ser instalado y ubicado correctamente de acuerdo con las instrucciones de instalación antes de ser usado.

- *Consulte con su departamento de obras públicas local para los códigos de plomería. Usted debe seguir sus guías a medida que instale el sistema de filtración de agua extrafuerte.*
- *Use el sistema de filtración de agua extrafuerte solamente en un abastecimiento de agua potable FRIA de hogar, que sea buena para beber. El cartucho del filtro no purificará el agua o hará que el agua que no sea buena sea potable. NO USE en agua CALIENTE (100°F máx.).*
- *Proteja el sistema de filtración de agua extrafuerte y las cañerías de la congelación. El agua que se congele en el sistema lo dañará.*
- *Su sistema de filtración de agua extrafuerte soportará hasta 100 psi de presión de agua. Si la presión de agua de su casa es más de 100 psi durante el día (podría alcanzar niveles más altos durante la noche), instale una válvula para reducir la presión antes de que el sistema sea instalado.*

- No instale en **AGUA CALIENTE**. La temperatura de la línea de agua hacia el sistema de filtración de agua extrafuerte debe estar entre el mínimo de 40°F, y el máximo de 100°F. Vea las *Datos del desarrollo*.
- **No** instale el sistema de filtración de agua extrafuerte usando uniones de cobre soldadas. El calor del proceso de las soldaduras dañará la unidad.

⚠ ADVERTENCIA: Bote todas las partes y los materiales de empaque sin usar después de la instalación. Las partes pequeñas que sobren después de la instalación podrían ser un peligro para atragantarse.

- **No** instale el filtro en una ubicación exterior o en un lugar donde esté expuesto a la luz del sol.

HERRAMIENTAS QUE SE NECESITAN Y ACCESORIOS PARA LA INSTALACION

- 2 llaves ajustables
- Cortador de tubos
- Regla o cinta métrica
- Taladro inalámbrico
- Lima
- Papel de esmeril
- Destornillador
- Es posible que se necesite partes adicionales para completar la instalación:
 - 2 accesorios para conectar la tubería de su residencia a las roscas hembras NPTF de 1" en el alojamiento del filtro.
 - Abrazaderas de toma de tierra aprobadas por UL y cable de toma de tierra de cobre calibre 6.
 - Cinta de teflón

Los accesorios opcionales están disponibles (usando Visa, MasterCard o Discover) visitando nuestro Website a GEAppliances.com o en el Departamento de Partes y Accesorios en el 800.626.2002.

CONTENIDOS INCLUIDOS CON EL PRODUCTO

- Caja y cabeza del filtro
- Literatura del producto
- Llave de rosca
- Sincronizador y baterías
- Abrazadera de montaje
- 4 tornillos de cabeza hexagonal y cuatro tuercas de tornillos de cabeza hexagonal



GXWH35F es probado y certificado por la NSF International contra el Estándar 42 NSF/ANSI con cartucho FXHTC para la reducción de cloro, sabor y olor.

184D1061P002 (06-09 JR) 49-50201-5

GEAppliances.com

GENERAL ELECTRIC COMPANY, Appliance Park, Louisville, KY 40225

ESPECIFICACIONES DEL CARTUCHO

Datos del desarrollo

Este sistema ha sido probado de acuerdo con NSF/ANSI 42 para la reducción de las sustancias mostradas a la derecha. La contracción de las sustancias indicadas en el agua que entra en el sistema fue reducida a una concentración menor o igual al límite permisible para el agua que sale del sistema, de acuerdo a las especificaciones de NSF/ANSI 42.

Cartucho FXHTC

Substancia	Concentración de reto entrante	Requisitos de reducción	Reducción promedio
Estándar 42			
Cloro	2,0 mg/L ± 10%	≥ 50%	93,1%

Condiciones de prueba

Ritmo de flujo: 4 gpm (15,1 Lpm)
 pH: 7,5 ± 1
 Presión de entrada: 60 PSI (4.1 bar)
 Temperatura: 68°F ± 5°F (19,8°C ± 2,5°C)

Requisitos de operación

Presión: 30–125 PSI (2,1–6,9 bar)
 Turbidez: 5 NTU Max.
 Temperatura: 40°F–100°F (4,4°C–37,7°C)
 Capacidad: 30,000 galones (113,562 L) o 3 meses

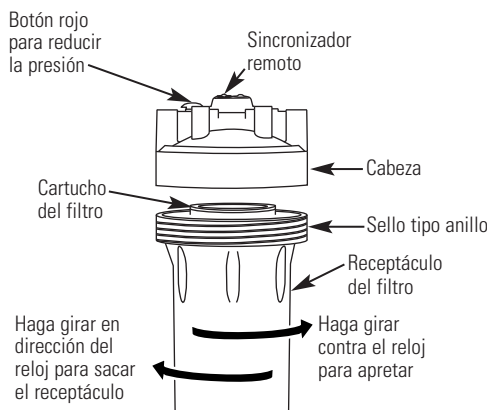
La prueba fue llevada a cabo bajo condiciones de laboratorio estándares, y el desarrollo real podría variar.

Reemplazo del cartucho del filtro

Usted debería cambiar el filtro cuando el paso del agua disminuye notablemente o por lo menos cada tres meses.

- 1 Cierre el paso del agua al filtro. El agua se debe cerrar en una válvula paso arriba.
- 2 Empuje el botón rojo para reducir la presión para bajar la presión.
- 3 Desatornille el receptáculo y bote el filtro usado. Lave el receptáculo del filtro con un jabón suave y agua. **No** use limpiadores fuertes o agua caliente.
- 4 Inspeccione el anillo del receptáculo. Asegúrese que esté levemente lubricado con grasa limpia de silicona de grado de alimentos (la grasa de silicona está disponible a través del departamento de Partes y Servicio de GE llamando al 1.800.626.2002, número de parte WS60S10005). Cerciérese de que el aro tórico es asentado en la ranura. Se recomienda que cambie el anillo si está dañado.
- 5 Coloque un filtro nuevo en el receptáculo asegurándose de que esté centrado y completamente asentado sobre el fondo del sello.
- 6 Reinstale el receptáculo del filtro a la unidad. Use la llave de rosca para apretar el receptáculo del filtro. **NO APRIETE DEMASIADO.**

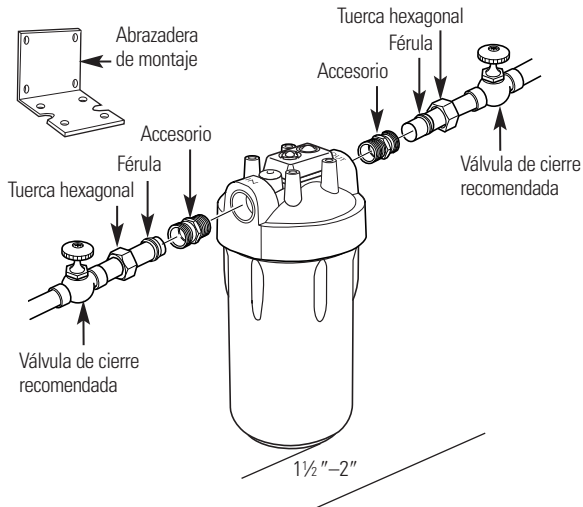
- 7 Lentamente abra el paso del agua hacia el filtro usando la válvula de cierre paso arriba.
- 8 Empuje el botón rojo para reducir la presión para sacar el aire atrapado.
- 9 Después de la instalación, lave el cartucho por 15 minutos.



INSTRUCCIONES DE INSTALACION PASO A PASO

Sumario de la instalación

NOTA: Asegúrese de dejar un espacio mínimo de 1½"–2" debajo del filtro para sacar el receptáculo, para cambiar el cartucho.



INSTRUCCIONES DE INSTALACION PASO A PASO (cont.)

Seleccione la ubicación

Seleccione una ubicación para el filtro que esté:

- protegida de la congelación.
- que no esté expuesta a la luz directa del sol.

Corte de la línea de agua

⚠ ADVERTENCIA: Se pueden usar tubos para agua fría en cobre o galvanizados para conectar a tierra las salidas eléctricas de la casa. No mantener esta ruta de conexión a tierra puede resultar en un riesgo de choque eléctrico. Si se usa la tubería de agua fría para conectar a tierra las salidas eléctricas, consulte la sección *Cómo instalar el cableado de conexión a tierra*, antes de cortar la tubería.

- 1 Cierre el paso del agua y abra una llave de agua cercana para sacar el agua de las cañerías.
 - 2 Usando una cinta para medir o una regla, mida la distancia "D" como se muestra.
- **NOTA:** Se recomienda que la válvula de cierre sea colocada antes y después del filtro como se muestra en la ilustración *Sumario de la Instalación*.

Instalación de las uniones

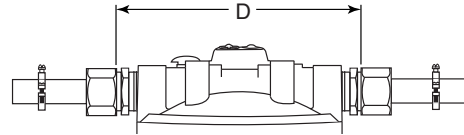
Instrucciones para instalar accesorios en la tubería de cobre. Si la unidad va a ser instalada sobre cualquier otro tipo de cañería (plástico, PVC, galvanizado), consulte con un plomero calificado para las herramientas adicionales.

- 1 Pegue la abrazadera de alta resistencia a la ensambladura de la cabeza con los cuatro tornillos de cabeza hexagonal que se muestra en la ilustración.
La abrazadera se puede usar como una plantilla para marcar la localización de los tornillos de montaje.
- 2 Aplique 4 o 5 vueltas de cinta de teflón, en la dirección del reloj, a los hilos de la cañería de cada accesorio. **NO** use compuestos para uniones en ninguna de las partes que conecten la caja del filtro.



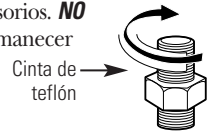
Se recomienda instalar una válvula de cierre en ambos lados del filtro. Sugerimos que se utilice una ménsula de instalación.

- 3 Seleccione una ubicación segura en la superficie para instalar el filtro y el soporte de montaje. La ubicación debe alinear el sistema del filtro con el tubo de entrada y el tubo de salida y no debe causar que los tubos se doblen o se dañen. Marque la distancia "D" sobre el tubo. D es aproximadamente 7/4".
- 3 Usando un cortador de cañerías, corte el tubo. Lije (lime) las puntas cortadas para asegurarse que estén cuadradas y suaves.



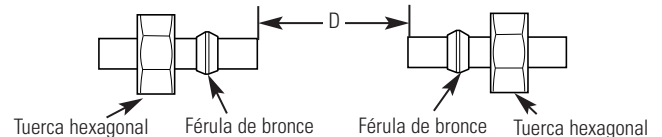
■ **NOTA:** Tenga una cubeta y una toalla disponible para coleccionar el agua excesiva.

- 3 Arme un accesorio en la entrada y la salida de la cabeza. Empiece cada unión con la mano para estar seguro que los hilos no se crucen. Use una llave inglesa ajustable para apretar los accesorios. **NO APRIETE DEMASIADO.** Uno o dos hilos deberían permanecer visibles.
- 4 Use los cuatro tornillos/tuercas de cabezas hexagonales para montar la abrazadera a la pared firmemente. Use las anclas apropiadas en la pared. Las anchas **NO** están incluidas.



Conecte las uniones a la línea del agua

- 1 Deslice una tuerca de compresión en cada cañería.
- 2 Luego, deslice la férula de bronce en cada cañería.



Instalación de la unidad

- 1 Ponga en línea el juego del filtro con las puntas de la cañería asegurándose que la **entrada** de la línea del agua vaya hacia la abertura marcada "IN". Podría ser necesario abrir las puntas de las cañerías para instalar el juego del filtro.
- 2 Usando dos llaves ajustables, sujete el accesorio de entrada firmemente con una de las llaves y apriete la tuerca con la segunda llave. Repita el procedimiento para el accesorio de salida.

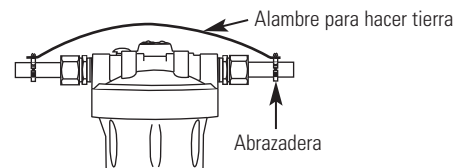
- 3 Si no se utiliza el soporte de montaje, sujete la cañería de agua en cualquier lado de la unidad del filtro.
- 4 Instalar el filtro y apretar el receptáculo para sellar (ver la sección de *Reemplazo del cartucho del filtro*).

Instalación del cable de tierra

NOTA: Si la tubería de su casa es de plástico no debería ser usada para efectuar la conexión de tierra, y este paso puede ser obviado.

IMPORTANTE: Una tubería de agua fría galvanizada interiormente o de cobre es usada muy a menudo para conectar a tierra los tomacorrientes eléctricos en las casas. **Una toma de tierra lo protege de descargas eléctricas.** El alojamiento del filtro de agua pudo haber interrumpido la trayectoria de tierra. Para restablecer la conexión, instale un cable de cobre de 18", de calibre 6 a través del filtro, fuertemente sujeto utilizando abrazaderas de tierra de bronce de 1/2" a 1" aprobada por UL en ambos extremos de la línea como se muestra en la ilustración. Usted no debe usar abrazaderas de cinc en tubería de cobre. El cable y las abrazaderas pueden ser compradas por separado en su ferretería local.

- 1 Limpie la tubería de cobre y los extremos del cable con papel de esmeril. Se recomienda que utilice cable desnudo. Si utiliza cable aislado, las puntas deberían estar desnudas de su protector, aproximadamente 3/4" antes de proceder a limpiarlas con papel de esmeril.
- 2 Sujete las abrazaderas de bronce a la tubería. Apriete los tornillos.
- 3 Sujete el cable a las abrazaderas tal como se muestra en la figura. Apriete los tornillos.

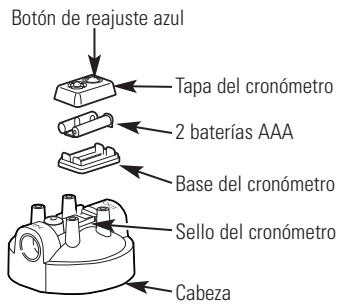


Revisión final

- 1 Instale el filtro, si todavía no se ha hecho (vea la sección para *Reemplazo del cartucho del filtro*).
- 2 Lentamente abra el paso del agua.
- 3 Revise todo el sistema para que no hayan goteras.

- 4 Si hay goteras de las uniones a partir del accesorio, cierre la presión del agua o reselle las uniones. Si existe una fuga a partir del receptáculo, apriételo con una llave.
- 5 Después de la instalación, lave el cartucho por 15 minutos.

Instalación del cronómetro e instrucciones de reinicialización



Instalación y cambio de las baterías del cronómetro

Inserte una moneda o un destornillador en la ranura entre la tapa y la base del sincronizador. Con gentileza haga palanca entre ellos y separe la base de tiempo de la tapa. Instale o cambie dos baterías AAA 1,5 voltios nuevas. Después de que las baterías estén en su lugar, alinee la base y la tapa y únelas nuevamente.

Se recomienda cambiar las baterías por lo menos 2 cambios del filtro.

No mezcle baterías nuevas y viejas. No mezcle baterías alcalinas, estándar (carbono-cinc) o recargables (ni-cad, ni-mh, etc.).

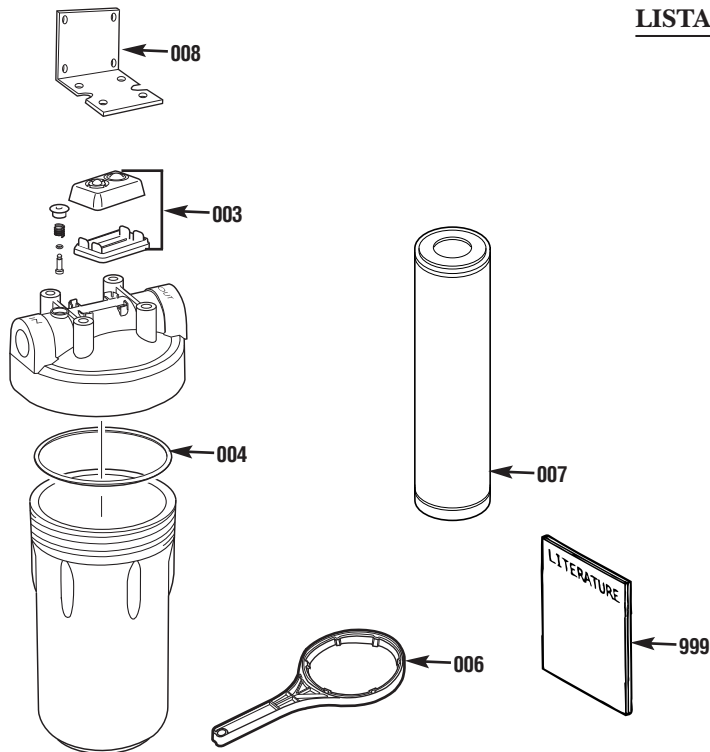
Instalación del cronómetro

Sostenga el cuerpo del cronómetro en el centro y suavemente empuje hacia su posición en la parte superior de la cabeza. O péguela a una localización remota para verla fácilmente.

Reinicialización y aplicación del cronómetro

Después de instalar las baterías nuevas o cambiar los filtros, presione y sostenga el botón de reinicialización (reset) azul del sincronizador por aproximadamente 5 segundos. Libere el botón de reinicialización después de que la luz haya parpadeado 5 veces. La luz volverá a parpadear en 90 días para recordarle que debe cambiar el filtro.

LISTA DE PARTES



No. de ref.	Parte No.	Descripción	
003	WHTIMER	Sincronizador	1
004	WS03X10054	Anillo	1
006	HDWRNCH	Llave de rosca	1
007	FXHTC	Elemento del filtro: Filtro de carbón	—
	FXHSC	Elemento del filtro – Plegado	—
008	HDBRKT	Abrazadera de montaje	1
999	49-50201-4	Instrucciones de Instalación	1

Para obtener partes de repuesto, llame sin costo al 800.626.2002 (EE.UU.), 800.663.6060 (Canadá-inglés), 800.361.3869 (Canadá-francés).

GARANTÍA LIMITADA POR UN AÑO

- **¿Qué cubre esta garantía?**
 - Cualquier defecto de fábrica en los materiales o la manufactura del producto.
- **¿Qué no cubre esta garantía?**
 - Cartucho del filtro y las baterías después de treinta días a partir de la fecha de la compra.
 - Viajes a su casa para enseñarle cómo usar el producto.
 - Instalación o entrega inapropiada, o mantenimiento impropio.
 - Fallas del producto si hay abuso, mal uso, o uso para otros propósitos que los propuestos, o uso para fines comerciales.
 - Uso de este producto donde el agua está microbiológicamente insegura o de calidad desconocida, sin la adecuada desinfección, antes y después de ser procesada por el sistema. Los sistemas certificados para reducir el nivel de quistes pueden ser usados en agua desinfectada que pueda contener quistes que se puedan filtrar.
 - Daños causados al producto debido a accidentes, incendio, inundaciones o actos de la naturaleza.
 - **Daños secundarios o por consecuencia causados por posibles defectos en el producto, su instalación o reparación.**
- **¿Por cuánto tiempo después de la compra?**
 - Un año.

- **¿Cómo hago la reclamación de la garantía?**

— Devuélvala al minorista a quien le compró el producto con una copia de "Proof of Purchase" (prueba de compra). Se le proporcionará una unidad nueva o reacondicionada. Esta garantía excluye los costos de envío o llamadas de servicio a domicilio.

EXCLUSIÓN DE GARANTÍAS IMPLÍCITAS—Su único y exclusivo derecho es el cambio del producto, tal y como se indica en esta Garantía limitada. Cualquier garantía implícita, incluyendo las garantías implícitas de comerciabilidad o adecuación para un fin determinado, están limitadas a un año o el período de tiempo más breve permitido por la ley.

Esta garantía se extiende al comprador original y cualquier comprador posterior de productos comprados para uso residencial o en la oficina dentro de Estados Unidos. En Alaska, la garantía excluye el costo de envío o las visitas de servicio a su casa u oficina.

Algunos estados no permiten la exclusión o las limitaciones de daños incidentales o consecuenciales. Esta garantía da derechos legales específicos, y usted podría tener otros derechos que varían de estado a estado. Para saber cuáles son sus derechos legales, consulte a la oficina de asuntos del consumidor local o la oficina del Attorney General en su localidad.

Póngase en contacto con nosotros en GEAppliances.com, o llame sin cargo al 800.952.5039, o 866.777.7627 en Canada.