

Ivy Terrace™

Model: IVB60

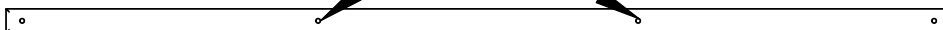
1

Layout Parts

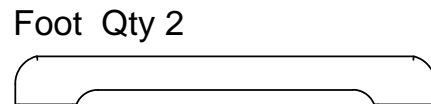
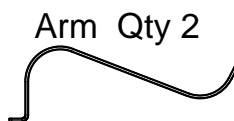
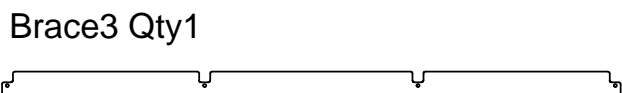
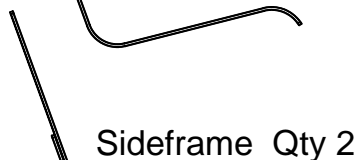
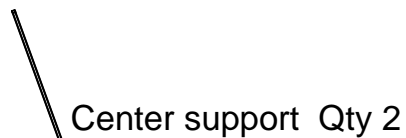
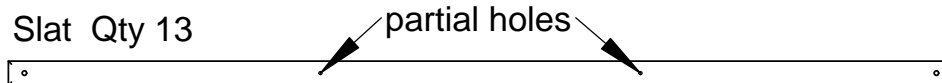
Head Slat Qty 1



Front Slat Qty 1

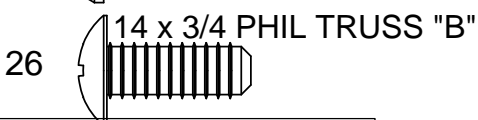
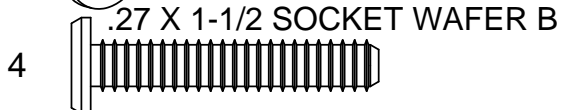
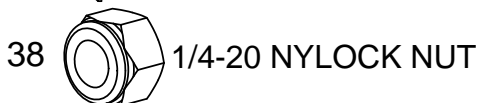
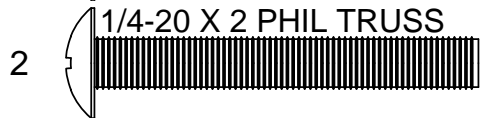
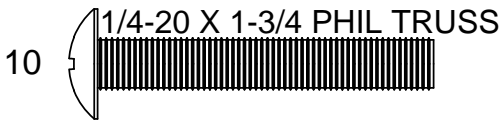


Slat Qty 13



2

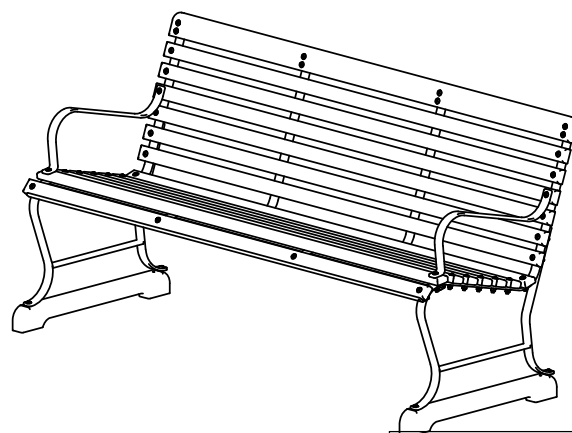
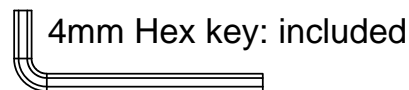
Layout Hardware



3

Tools Needed

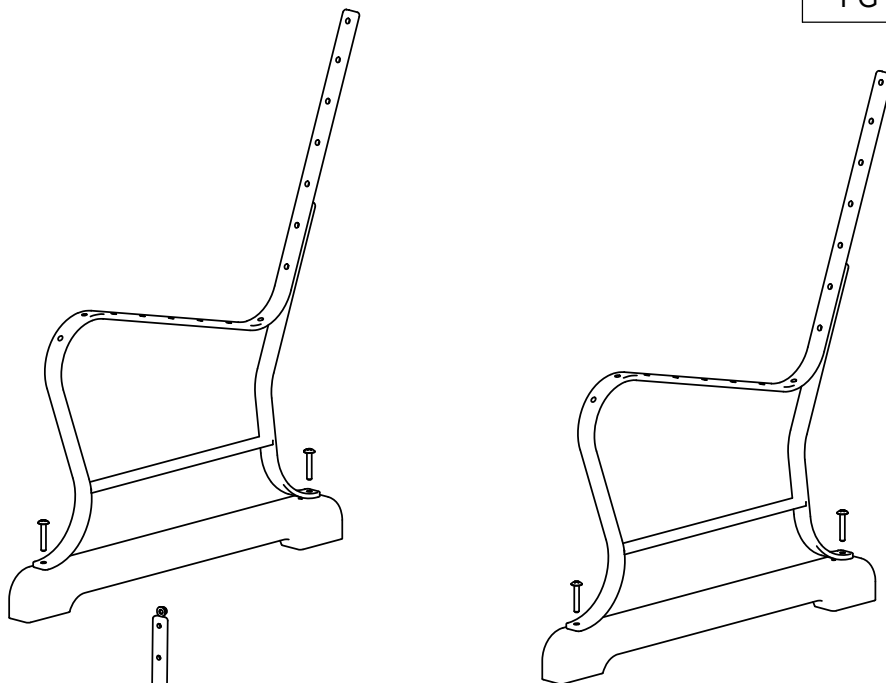
7/16 Socket drive
Phillips Head Screwdriver
(Screw gun recommended)



Assembly

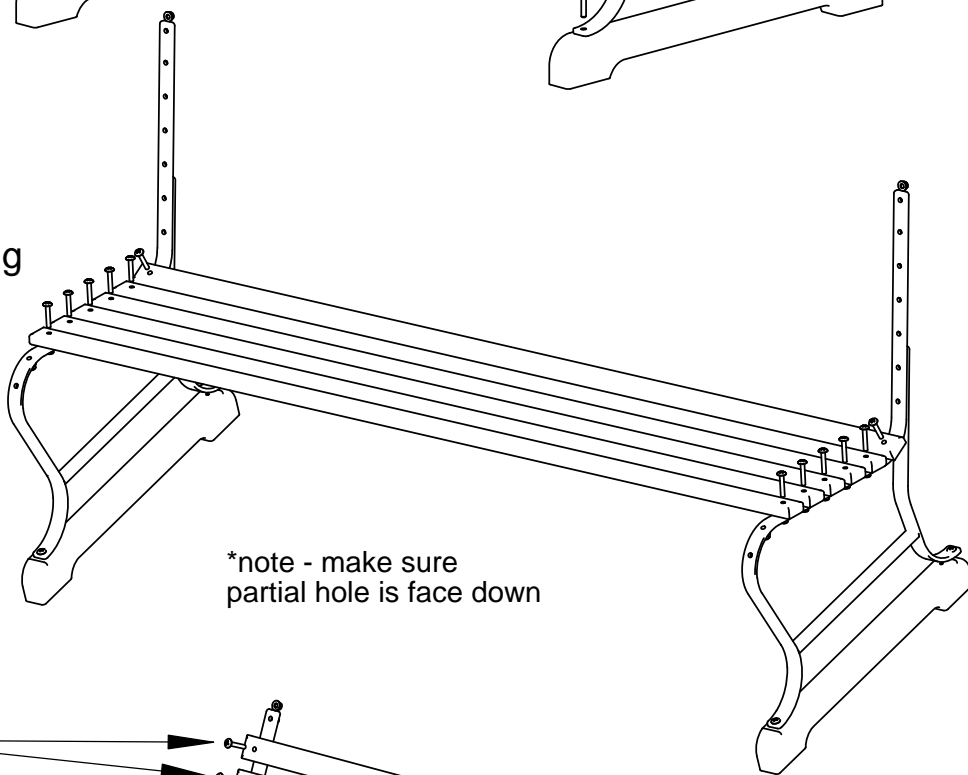
1

Attach sideframes to feet using (4) 14x1 1/2" Screws



2

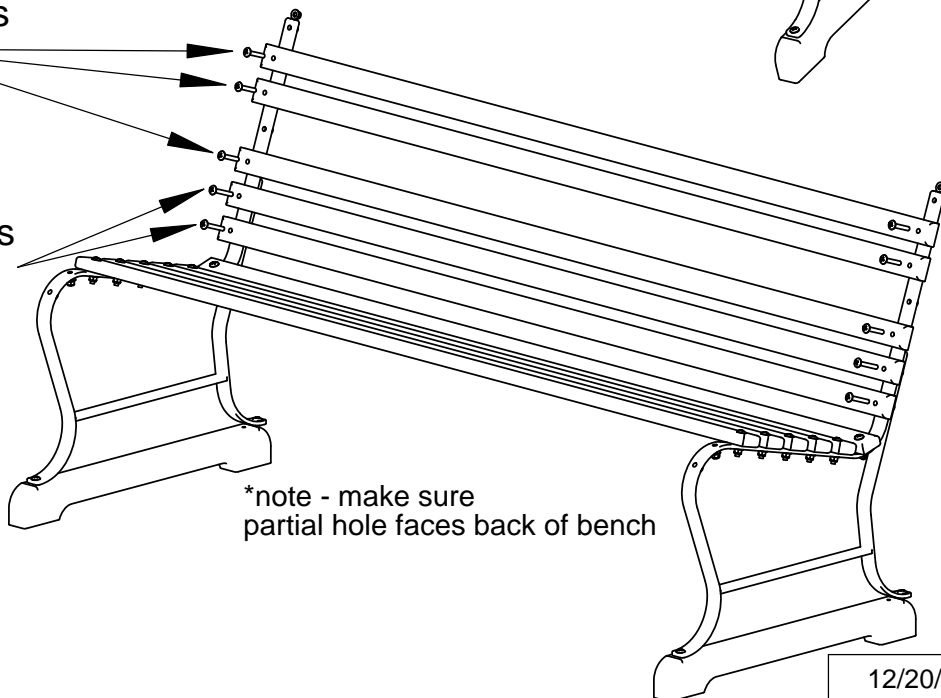
Attach slats to sideframes using (12) 1/4-20x1 1/2" Truss Bolts (12) Nuts and washers



3

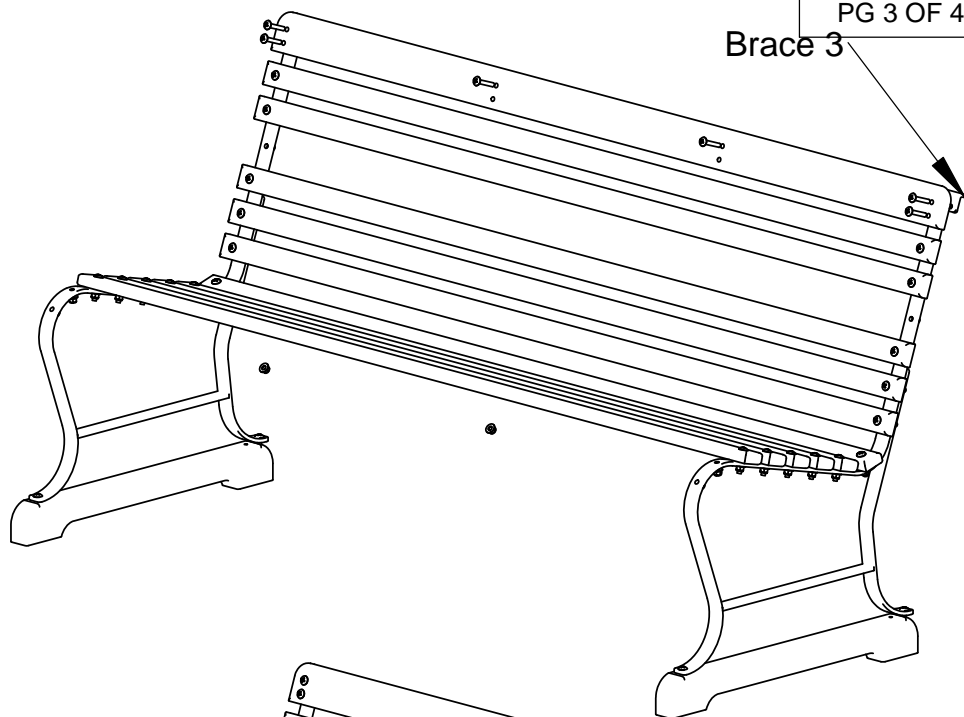
Attach these slats with (6) 1/4-20x1 1/2" Truss Bolts (6) Nuts and washers

Attach these slats with (4) 1/4-20x1 3/4" Truss Bolts (4) Nuts and washers



4

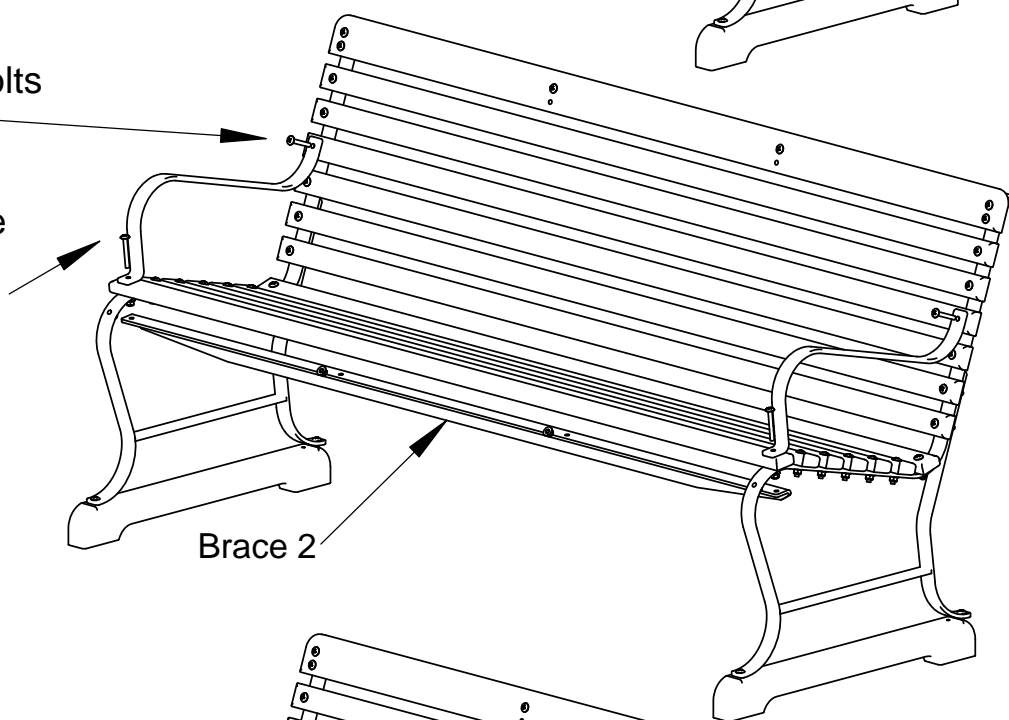
Attach Head slat to sideframes and brace using
 (6) 1/4-20x1 1/2" Truss bolts
 (6) Nuts and washers



5

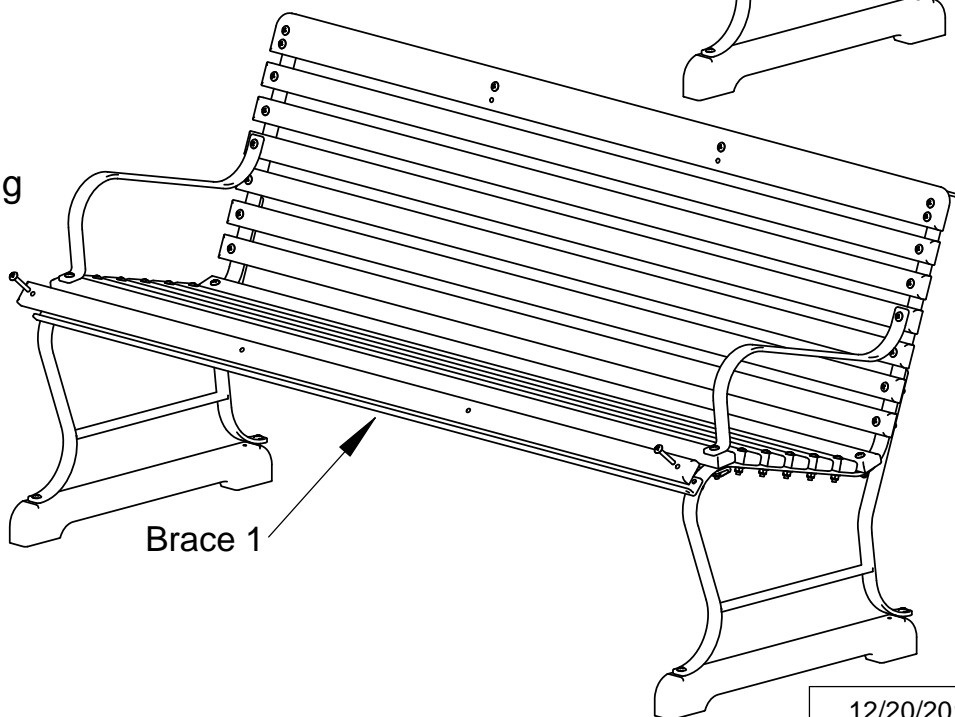
Attach Arm and Slat with
 (2) 1/4-20x1 3/4" Truss bolts
 (2) Nuts and washers

Attach Arm, Slat and Brace
 (2) 1/4-20x2" Truss bolts
 (2) Nuts and washers



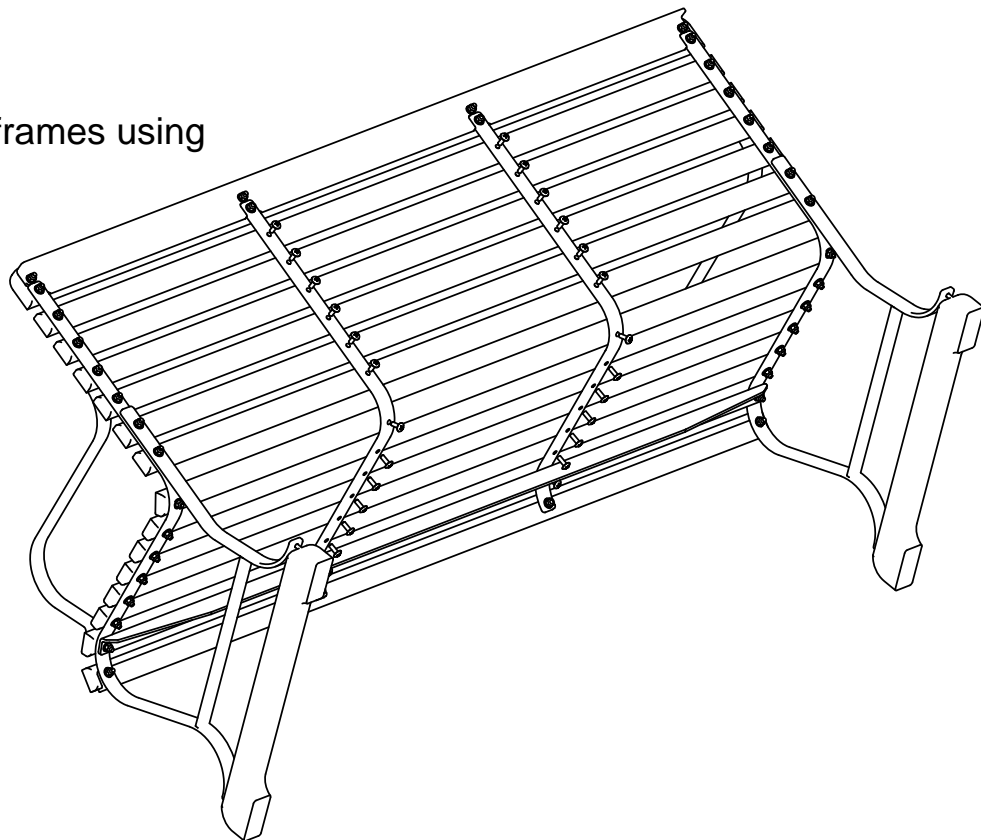
6

Attach Front slat to sideframes and brace using
 (2) 1/4-20x1 3/4" Truss bolts
 (2) Nuts and washers



7

Attach Center support to Sideframes using
(26) 14 x 3/4" Screws

**8**

Attach Head slat to Center support using
(2) 1/4-20x1 1/2" Truss bolts
(2) Nut and washer

Attach Front slat to Center support using
(2) 1/4-20x1 3/4" Truss bolts
(2) Nuts and washers

