

Splash Action®

Water Slide Kit

PLAYSTAR®

Assembly Instructions



Important!

Important! Intended for residential use by children ages 2 to 10, only on properly installed PlayStar playsets. Before use refer to complete safety guidelines in your original playset, at www.playstarinc.com, or at 1-888-752-9782.

We're Here To Help!

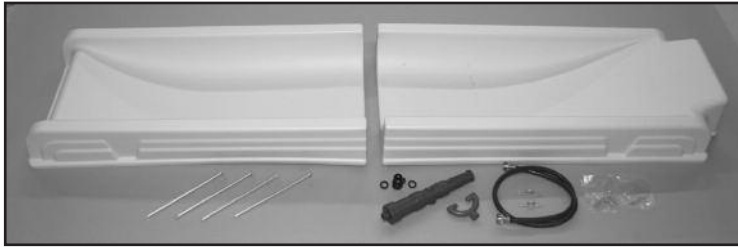
Call Toll Free **1-888-752-9782**
Customer Service: Monday - Friday, 8:00 A.M. to 5:00 P.M. C.S.T.

PS 8840-2

CONTENTS

Water Slide Kit Contains:

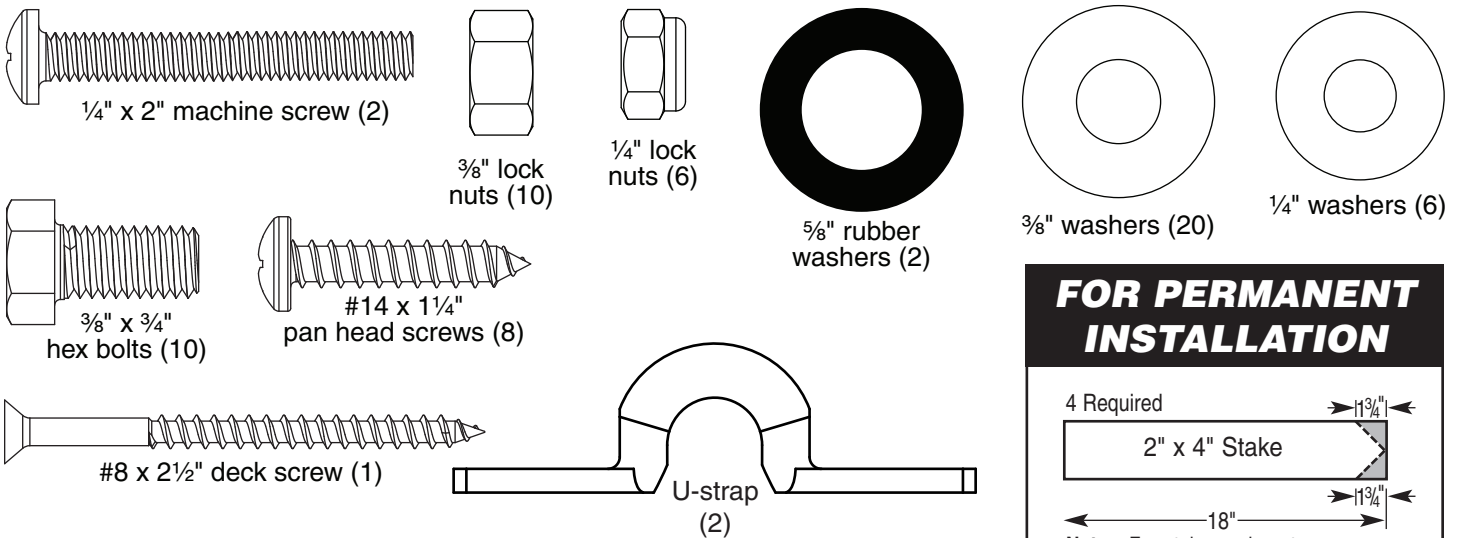
- | | |
|----------------------------|-----------------------------------|
| (1) Water Slide (2 pieces) | All Mounting Hardware |
| (1) Water Cannon | Complete Illustrated Instructions |
| (4) Water Slide Stakes | |



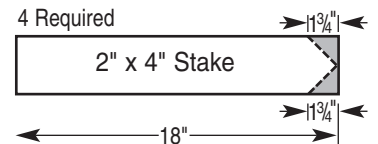
TOOLS REQUIRED

- | | |
|-----------------------------------|-------------------|
| Drill | Hammer |
| 1/8" & 1/4" Drill Bits | Shovel |
| Saw | Adjustable Wrench |
| Tape Measure | 7/16" Wrench |
| Screwdriver (regular or phillips) | 1/8" Wrench |

HARDWARE INCLUDED (shown actual size)



FOR PERMANENT INSTALLATION



Note: For stake angle cut, measure 1 3/4" from straight cut. Draw a line from measurement to center of straight cut.

SLIDE ASSEMBLY

1. On a flat work surface lay the two pieces together, upside down as shown.
2. Secure the two pieces together with ten 3/8" hex bolts, 3/8" washers and 3/8" lock nuts as shown. **(Fig. 1)**

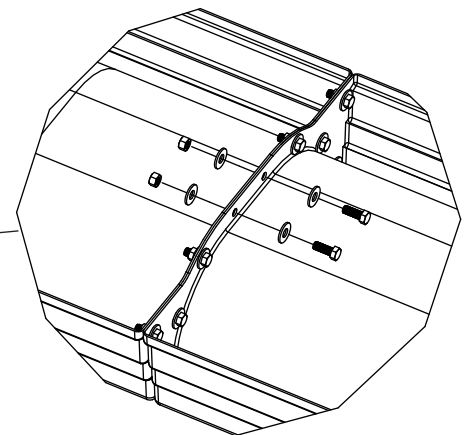
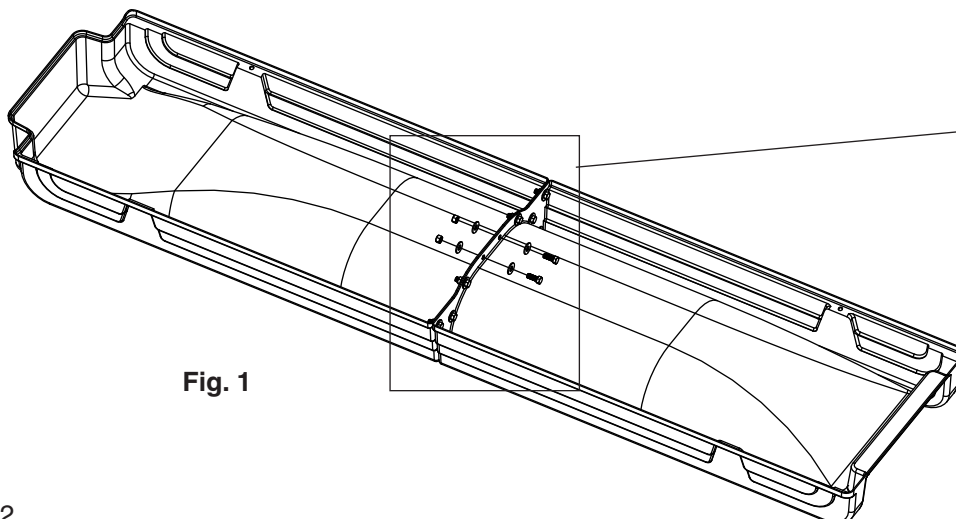


Fig. 1

TEMPORARY INSTALLATION

For temporary installation of the Water Slide, use the Water Slide Stakes.

Note: Temporary installations are not recommended over sand or loose soil.

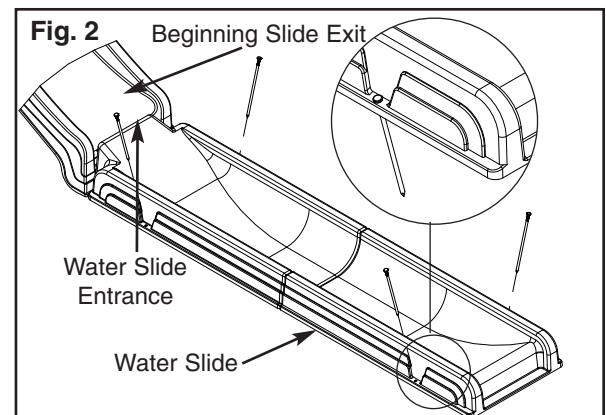
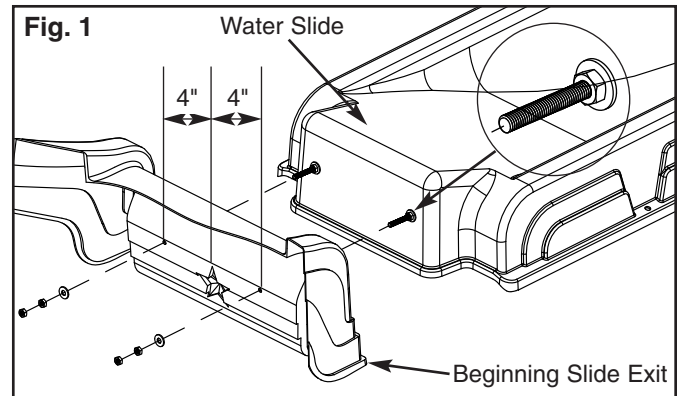
1. Prepare a level area where the water slide is to be installed.

WARNING: Do not install the water slide within six feet of any structure or obstruction.

2. Align the *Splash Action Water Slide* entrance to the exit of the beginning slide. **Note:** the transition edge of the Water Slide Must be slightly lower and tight against the exit of the beginning slide.

WARNING: If the transition edge of the Water Slide protrudes above the beginning slide's exit, serious injury could occur when children are sliding.

3. From the underside of the existing slide, drill two 1/4" holes through both slides, one approximately 4" to the left and one 4" to the right of the top point of the star. (Fig. 1).
4. Remove the water slide and insert one 1/4" x 2" machine screw and 1/4" washer through one of the holes in the underside of the water slide. Use another 1/4" washer and 1/4" lock nut to securely attach the screw onto the water slide. (Fig. 1). Do this again for the other hole in the water slide.
5. Position the water slide back into the original position, sliding the bolts through the holes in the existing slide.
6. From under the existing slide, use one 3/8" washer and two 3/8" lock nuts to attach the water slide. Do Not Over Tighten. The second nut helps to lock everything into place.
7. Using the *Splash Action Water Slide Stakes* and a hammer, carefully drive one stake through each slide pocket at a 30° angle as shown. (Fig. 2). All four stakes are required for proper installation.



PERMANENT INSTALLATION

For permanent installation of the *Splash Action Water Slide*, one 2" x 4" x 8' is required (sold separately).

1. Prepare a level area where the water slide is to be installed.

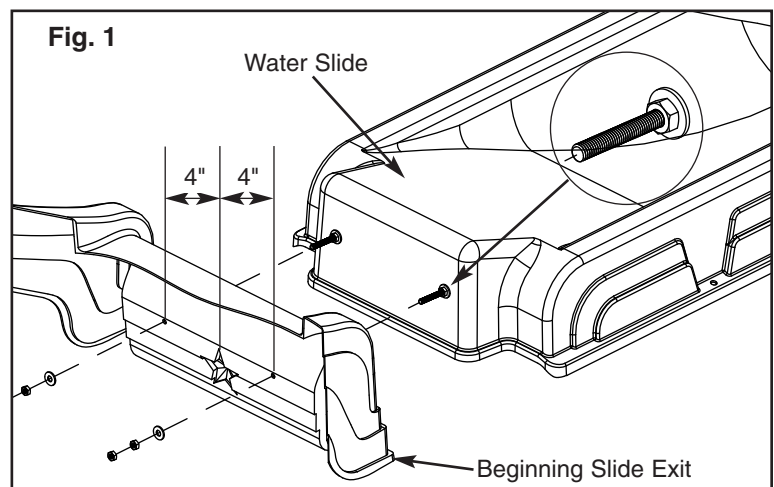
WARNING: Do not install the water slide within six feet of any structure or obstruction.

2. Align the *Splash Action Water Slide* entrance to the exit of the beginning slide.

Note: The transition edge of the Water Slide must be slightly lower and tight against the exit of the beginning slide.

WARNING: If the transition edge of the Water Slide protrudes above the beginning slide's exit, serious injury could occur when children are sliding.

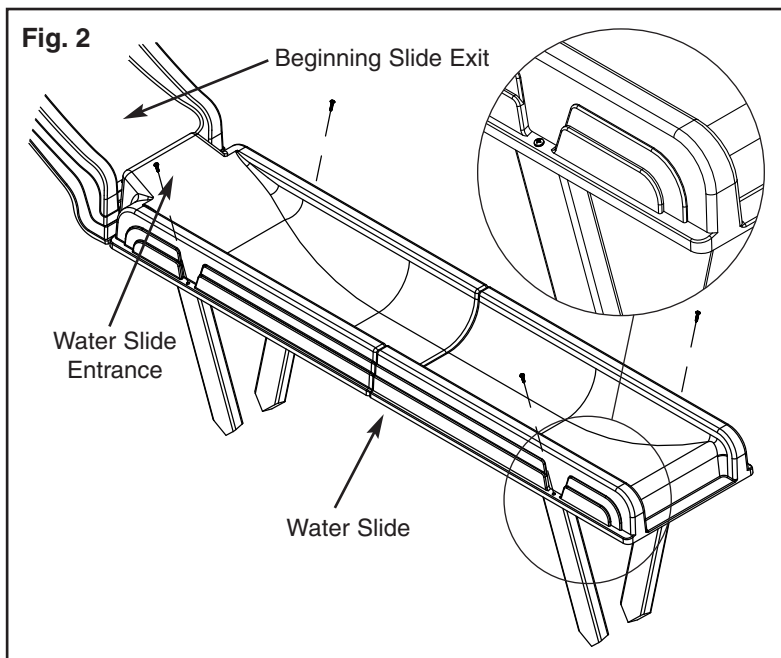
3. From the underside of the beginning slide, drill two 1/4" holes through both slides, one approximately 4" to the left and one 4" to the right of the top point of the star. (Fig. 1). Locate the four mounting flanges on the Water Slide. Mark the ground under each flange by scraping the surface of the ground.
4. Remove the water slide and insert one 1/4" x 2" machine screw with 1/4" washer through one of the holes in the underside of the water slide. Use another 1/4" washer and 1/4" lock nut to securely attach the screw onto the water slide. Do this again for the other hole in the water slide.



- Cut four 18" pointed stakes from the 2"x4"x8' board. Drive the four wooden stakes into the ground at 30° angles as shown in each marked location so they are flush with the prepared surface. **(Fig. 2).**

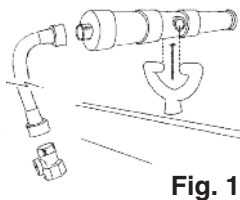
Note: If soil conditions permit stakes to be pulled out easily, such as in sandy soil conditions, cementing is required. If your ground is too hard to pound in the stakes, you can remove the earth with a shovel. Install the stakes and compact the earth as you replace it. Stakes must be placed below the level of the shock-absorbing surfacing material to prevent tripping or injury resulting from a fall.

- Position the water slide back into the original position, sliding the screws through holes in the existing slide.
- From under the beginning slide, use one 3/8" washer and two 3/8" lock nuts to attach the water slide. Do Not Over Tighten. The second nut helps to lock everything into place.
- Drill 1/8" pilot holes through the slide pockets, 1" deep into each ground stake. Using the four #14 x 1 1/4" pan head screws provided, securely fasten the Water Slide to the stakes as shown. **(Fig. 2).**

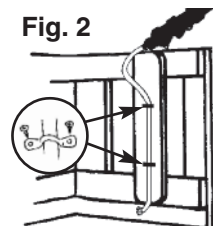


WATER CANNON ASSEMBLY

- Determine desired location for pivot.
- Drill a 1/8" dia. hole 1" deep.
- Fasten pivot with #8 x 2 1/2" deck screw provided. **(Fig. 1)**
- Snap Water Cannon onto pivot.
- Attach hose provided to the end of Water Cannon.
- Attach water regulator to the end of hose. **(Fig. 1)**



- Secure hose to wood structure with U-straps and #14 x 1 1/4" pan head screws provided. Make sure topmost U-strap is 12" below bottom of Water Cannon pivot and the length of hose from the Cannon to this U-strap is 20". This ensures no entrapment or strangulation hazard will exist where hose attaches to the playset. **(Fig. 2)**
- Attach your garden hose to water regulator.



Thank You for choosing PlayStar. Because it is our intention to make this a positive family experience, we have taken great care in preparing this product. Should you have any questions, or if we can assist you in any way, please call our friendly Customer Service Department for immediate action.

Do not return to the store.

Please call us Toll Free at 1-888-PLAYSTAR
(752-9782)

Monday through Friday, 8:00 A.M. to 5:00 P.M. C.S.T.

Ask for Customer Service. *We Will Gladly Help!*



PlayStar, Incorporated, Janesville, WI 53547

© 2005 PlayStar, Inc. Reproduction of this document in part or whole is prohibited without the permission of PlayStar, Inc. Protected by one or more of the following United States or Foreign Patents: US 6,361,445; US 6,482,095; CA 2,304,043