



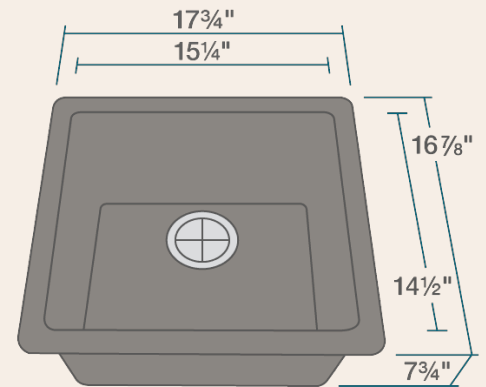
805-BLACK Single Bowl Sink



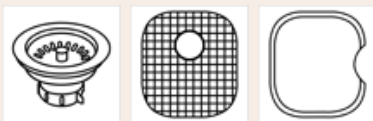
TruGranite

Our TruGranite sinks come in six colors to match any countertop: black, silver, mocha, slate, beige, and white. They are made with 80% Quartzite and 20% Acrylic and have a non-porous surface that gives the sink antibacterial properties. They are extremely scratch resistant, can withstand temperatures up to 550 Degrees, and are unaffected by household acids and cleaners. They are also completely stain resistant. All undermount sinks come with a cardboard cutout template and mounting hardware.

- 17 3/4" x 16 7/8" x 7 3/4"
- Undermount or Topmount Installation
- 18" Minimum Cabinet Size
- Made with 80% Quartzite, 20% Acrylic
- All-Natural Materials - Eco-Friendly and Recyclable
- Offset Drain
- Heat Resistant to 550 Degrees
- Stain Resistant
- Scratch Resistant
- Multiple Colors Available
- Installation Hardware Included
- cUPC Certified (Uniform Plumbing Code)
- Lifetime Warranty
- Acrylic Provides Sound Dampening - No Pads Needed

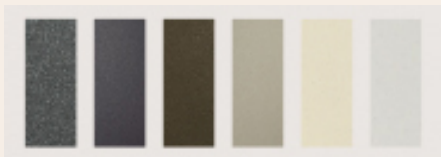


Accessories



*Accessories not included

Available Colors



UPC: 817299017561

Features

<p>Topmount or Undermount</p>	<p>18" Minimum Cabinet Size</p>	<p>80% Quartzite 20% Acrylic</p>	<p>Heat Resistant to 550°</p>	<p>Stain Resistant</p>	<p>Scratch Resistant</p>
<p>Multiple Colors Available</p>	<p>Cutout Template</p>	<p>Hardware Included</p>	<p>cUPC Certified</p>	<p>Limited Lifetime Warranty</p>	