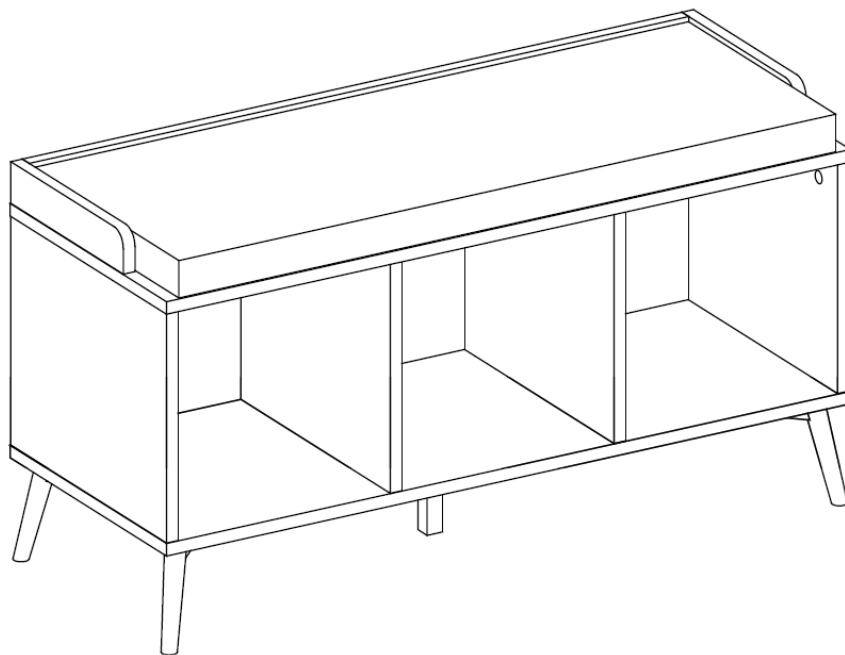




ASSEMBLY INSTRUCTIONS



RiverRidge® Woodbury Storage Bench with Cubbies

ITEM #: 16-026

ADULT ASSEMBLY REQUIRED

This product requires assembly by an adult because of small parts. Care should be taken in unpacking and assembling this item to keep small parts away from children.

WARNING SEE FULL WARNING ON PAGE 2

Young children can be seriously injured or killed if furniture tips over. Don't use this item for a TV stand or place heavy objects on top of item. Always use angle-braces or anchors to secure furniture to the wall.

THIS SHELF UNIT WILL HOLD UP TO 20 POUNDS PER SHELF FOR TOTAL OF 60 POUNDS AND BENCH SEATING WEIGHT CAPACITY IS 200 POUNDS. DO NOT LOAD SHELVES WITH MORE THAN 20 POUNDS OR SEATING WITH MORE THAN 200 POUNDS. OVERLOADING WITH MORE THAN 20 POUNDS PER SHELF OR 200 POUNDS SEATING MAY CAUSE DAMAGED TO THE SHELF OR SERIOUS INJURY OR DEATH.

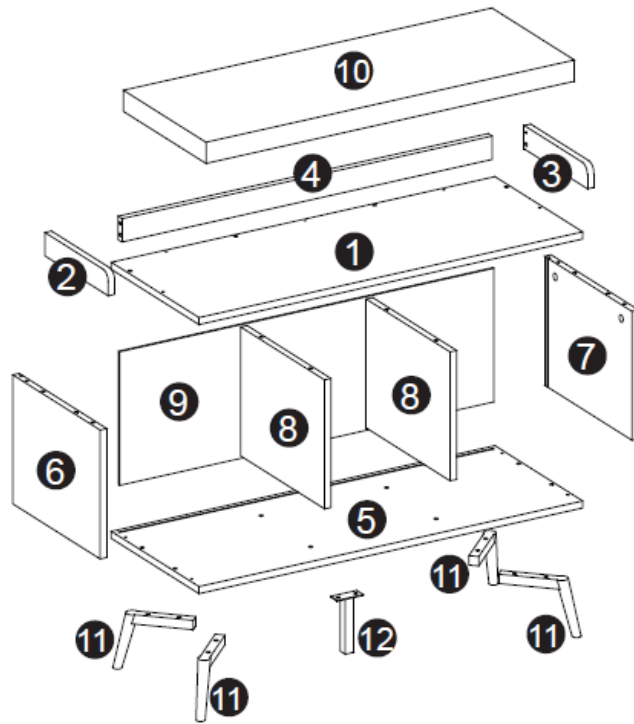


WARNING

SERIOUS OR FATAL INJURIES CAN OCCUR FROM FURNITURE TIP-OVER. TO HELP PREVENT TIP-OVER:

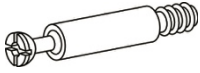







- **Always use tip over restraints and/or wall anchors to secure furniture to the wall**
- **Place heaviest items in the lowest drawers/bins or shelves**
- **Do not set TV's or other heavy objects on the top of this product**
- **Never allow children to climb or hang on to the drawers/bins, doors or shelves of furniture**
- **Never open more than one drawer at a time or defeat or remove any drawer interlock system**

PARTS LIST



NO	QTY	DESCRIPTION
1	IPC	Top Board
2	IPC	Left Rail Board
3	IPC	Right Rail Board
4	IPC	Back Rear Board
5	IPC	Bottom Board
6	IPC	Left Side Panel
7	IPC	Right Side Panel
8	2PCS	Divider Board
9	IPC	Back Board
10	IPC	Cushion
11	4PCS	Metal Leg
12	IPC	Middle Support Leg

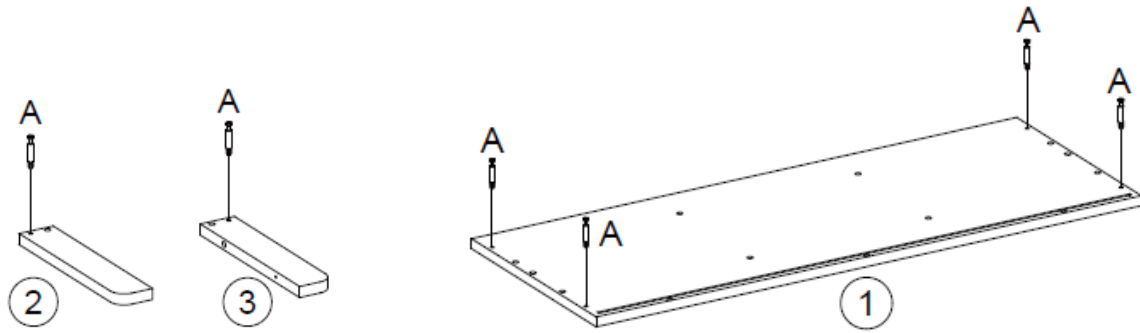
PARTS LIST

NO	PART	QTY	DESCRIPTION
A		6PCS	Cam Bolt
B		6PCS	Cam Lock
C		22PCS	Wood Dowel (8x30mm)
D		5PCS	Screw(4x35mm)
E		4PCS	Screw (4X35mm)
F		8PCS	Machine Screw (6x30mm)
G		2PCS	Machine Screw (6X10mm)
H		8PCS	Shim

**TOOLS NEEDED FOR ASSEMBLY: FLAT & PHILLIPS SCREWDRIVER (NOT INCLUDED)
THE USE OF POWER SCREWDRIVER IS NOT RECOMMENDED FOR ASSEMBLY
TOOL NEEDED FOR SECURING TO WALL: POWER DRILL (NOT INCLUDED)**

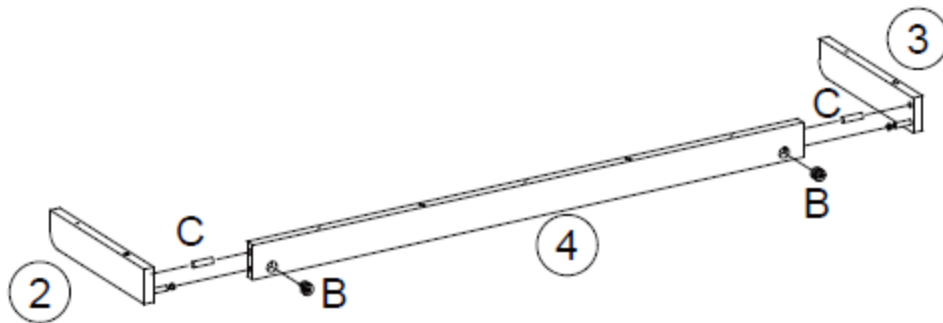
To order replacement parts at no cost to you, email customer.service@ssi-rr.com,
call 1-(844)-223-5201 or order parts online at www.riverridgehome.com

STEP 1



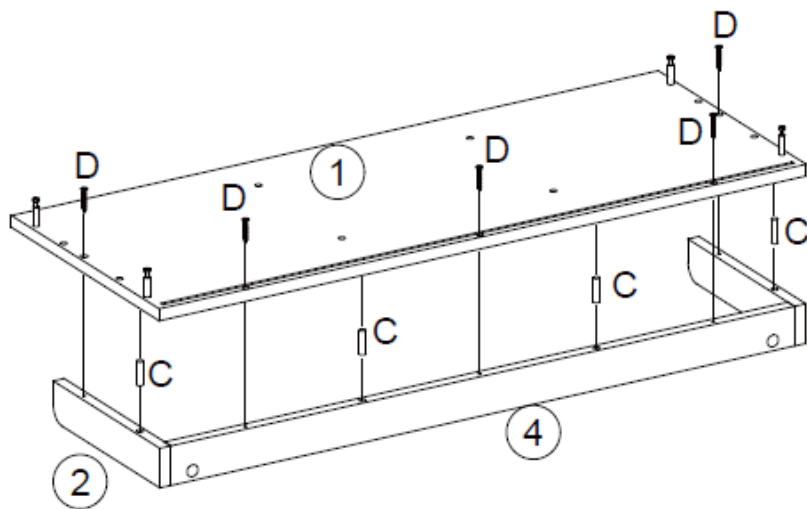
1. Screw 2 cam bolts (A) into pre-threaded holes on left rail board (2) and right rail board (3).
2. Screw 4 cam bolts (A) into pre-threaded holes on top board (1).

STEP 2



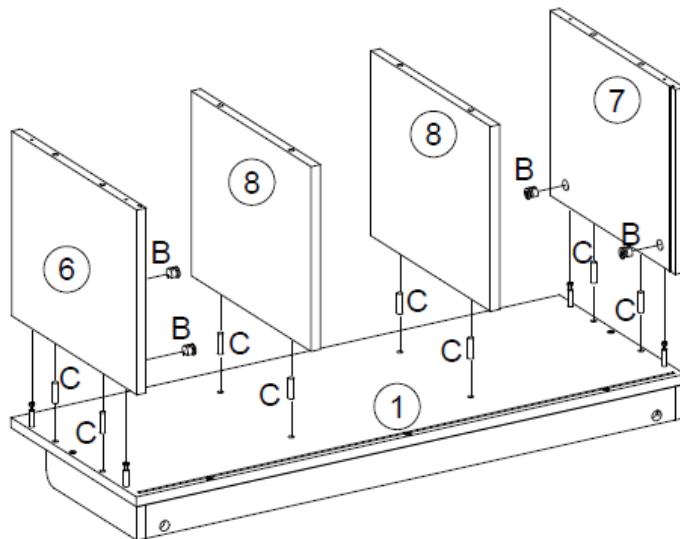
1. Insert 1 wood dowel (C) into wood dowel hole on left rail board (2).
2. Attach left rail board (2) to rear rail board (4) by inserting wood dowel (C) into wood dowel hole and insert cam bolt (A) into cam lock hole on rear rail board (4).
3. Insert 1 cam lock (B) into cam lock hole on rear rail board (4), then rotate clockwise to secure cam bolt in place.
4. Repeat above steps to assemble right rail board (3) to rear rail board (4).

STEP 3



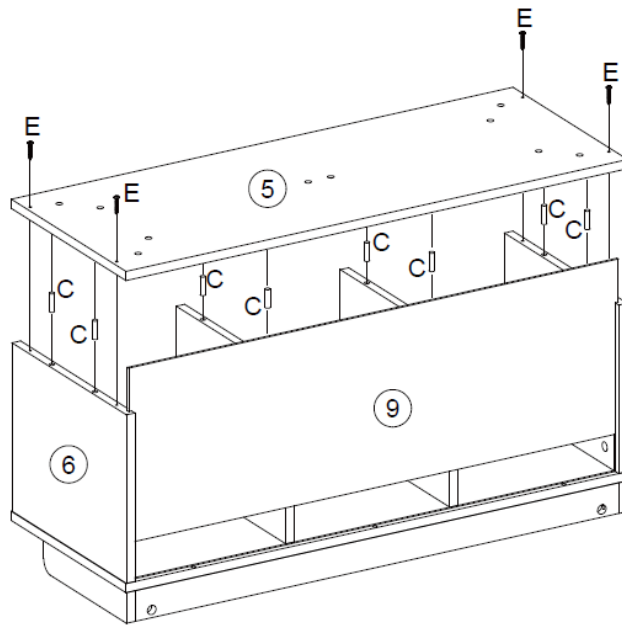
1. Insert 4 wood dowels (C) into wood dowel holes on left rail board (2), right rail board (3) and rear rail board (4).
2. Attach top board (1) to left rail board (2), right rail board (3) and rear rail board (4) by inserting wood dowels (C) into wood dowel holes on top board (1).
3. Insert 5 screws (D) through holes on top board (1), then tighten to left rail board (2), right rail board (3) and rear rail board (4).

STEP 4



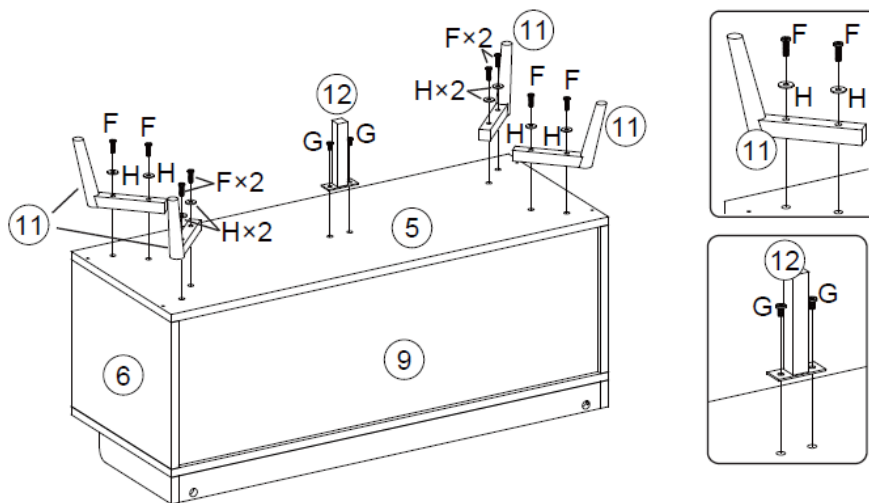
1. Insert 8 wood dowels (C) into wood dowel holes on top board (1)
2. Attach left side panel (6) and right side panel (7) to top board (1) by inserting wood dowels (C) into wood dowel holes and inserting cam bolts (A) into cam lock holes on left side panel (6) and right side panel (7).
3. Insert 4 cam lock (B) into cam lock holes on left side panel (6) and right side panel (7), then rotate clockwise to secure cam bolts in place.
4. Attach 2 divider boards (8) to top board (1) by inserting wood dowels (C) into wood dowel holes on 2 divider boards (8).

STEP 5



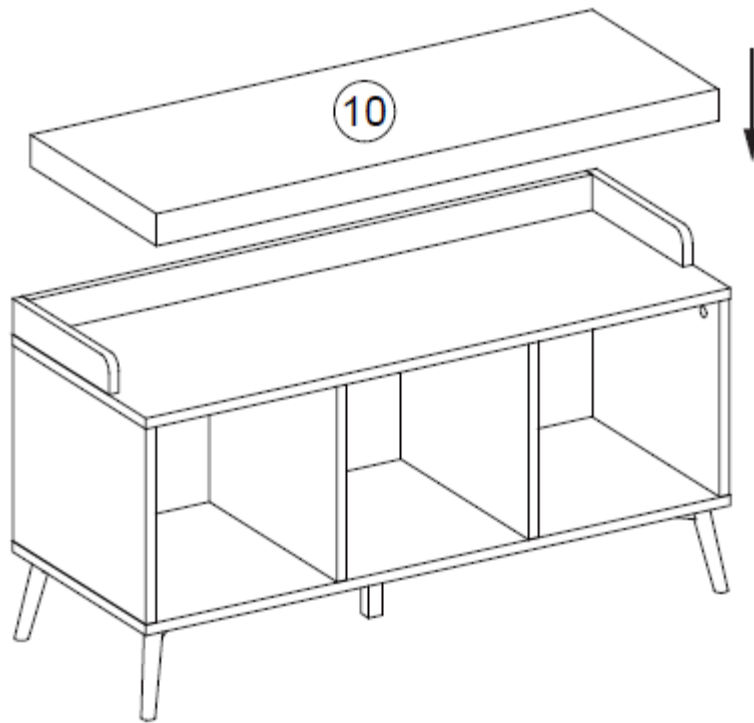
1. Slide back board (9) into grooves on left side panel (6), right side panel (7) and top board (1).
2. Insert 8 wood dowels (C) into wood dowel holes on left side panel (6), right side panel (7) and 2 divider boards (8).
3. Attach bottom board (5) to left side panel (6), right side panel (7), back board (9) and 2 divider boards (8) by inserting wood dowels (C) into wood dowel holes on bottom board (5) and make sure back board (9) is in groove on bottom board (5).
4. Insert 4 screws (E) through holes on bottom board (5), then tighten to left side panel (6) and right side panel (7).

STEP 6



1. Attach 4 metal legs (11) to bottom board (5) by inserting 8 machine screws (F) through the holes on shims (H), then through the holes on metal legs (11) and tighten to bottom board (5).
2. Attach middle support leg (12) to bottom board (5) by inserting 2 machine screws (G) through the holes on the middle support leg (12) and tighten to bottom board (5).

STEP 7

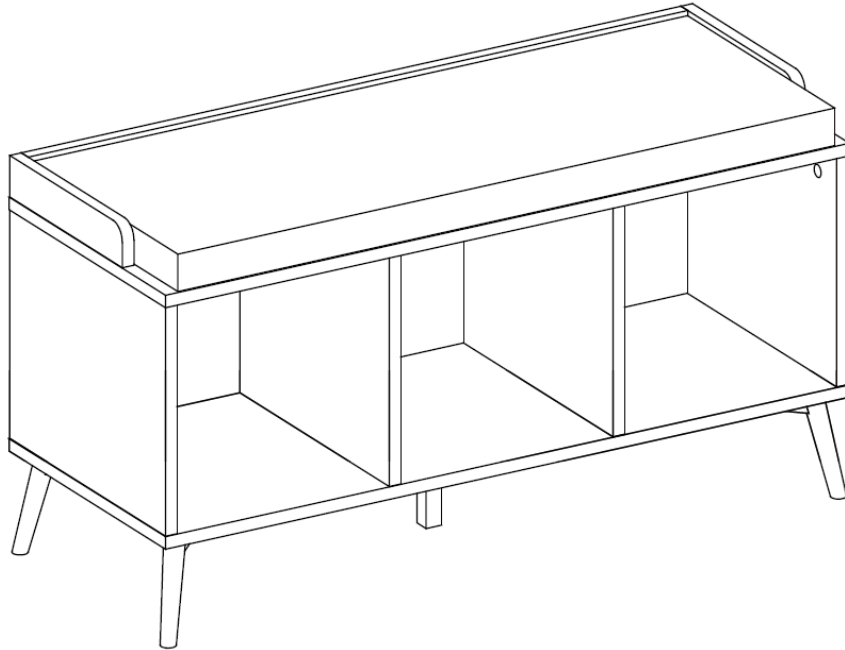


- I. Place cushion (10) on cabinet.

ATTENTION ADULTS: Cabinet should be checked periodically for damage or loose screws/parts. Take appropriate action necessary to correct hazards such as tightening of screws and taking any damaged parts away from children.

WARNING  Please make sure your item is secured to the wall, per assembly instructions.

Enjoy your new RiverRidge® Bench!



Thank you for purchasing this RiverRidge® Home item. We hope you enjoy it and consider purchasing other RiverRidge® items.

To order replacement parts at no cost to you, email customer.service@ssi-rr.com, call 1-(844)-223-5201 or order parts online at www.riverridgehome.com



RiverRidge® is a registered trademark of Sourcing Solutions, Inc., Hudson, WI 54016