



# PaintREADY™ Spray Gun



## Owner's Manual

Read this manual for complete instructions

*Français - page 13 / Español - página 25*

### Contents

- |                                |                                    |
|--------------------------------|------------------------------------|
| 2 Important Safety Information | 8 Cleanup - Flushing the unit      |
| 3 Controls and Functions       | 9 Cleanup - Cleaning the spray gun |
| 4 Assembly                     | 10 Reassembly / Maintenance        |
| 5 Material Preparation         | 11 Troubleshooting                 |
| 6 Spraying                     | 12 Limited Warranty                |
|                                | 36 Parts List                      |

### Questions?

Call Wagner Technical Service at:

**1-800-328-8251**

Monday - Friday

8:00 am to 4:30 pm CST

### Product Registration

In order to register your product today, visit:

[www.wagnerspraytech.com/registration](http://www.wagnerspraytech.com/registration)

We value your opinion. To complete your review, please visit:

[www.wagnerspraytech.com/reviews](http://www.wagnerspraytech.com/reviews)

# Important Safety Information



Read all safety information before operating the equipment. Save these instructions



Indicates a hazardous situation which, if not avoided, could result in death or serious injury.

- a) To reduce the risks of fire or explosion, electrical shock and the injury to persons, read and understand all instructions included in this manual. Be familiar with the controls and proper usage of the equipment.

## Grounding Instructions

This product must be grounded. In the event of an electrical short circuit, grounding reduces the risk of electric shock by providing an escape wire for the electric current. This product is equipped with a cord having a grounding wire with an appropriate grounding plug. The plug must be plugged into an outlet that is properly installed and grounded in accordance with all local codes and ordinances.

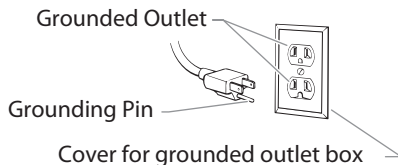
**WARNING - Improper installation of the grounding plug can result in a risk of electric shock.**



If repair or replacement of the cord or plug is necessary, do not connect the green grounding wire to either flat blade terminal. The wire with insulation having a green outer surface with or without yellow stripes is the grounding wire and must be connected to the grounding pin.

Check with a qualified electrician or serviceman if the grounding instructions are not completely understood, or if you are in doubt as to whether the product is properly grounded. Do not modify the plug provided. If the plug will not fit the outlet, have the proper outlet installed by a qualified electrician.

This product is for use on a nominal 120 volt circuit and has a grounding plug that looks like the plug illustrated below. Make sure that the product is connected to an outlet having the same configuration as the plug. No adapter should be used with this product.



b) **WARNING - To reduce the risk of fire or explosion:**



1. Do not spray flammable or combustible materials near an open flame, pilot lights or sources of ignition such as hot objects, cigarettes, motors, electrical equipment and electrical appliances. Avoid creating sparks from connecting and disconnecting power cords.
2. For use with only water-based or mineral spirit-type materials with a minimum flash point of 21°C (70° F) — Do not spray or clean with liquids having a flash point of less than 21°C (70° F). Flash point is the temperature at which a fluid can produce enough vapor to ignite.
3. Verify that all containers and collection systems are grounded to prevent static discharge.
4. Connect to a grounded outlet and use grounded extension cords (electric models only). Do not use a 3 to 2 adapter.
5. Do not use a paint or solvent containing halogenated hydrocarbons. Such as chlorine, bleach, mildewicide, methylene chloride and trichloroethane. They are not compatible with aluminum. Contact the coating supplier about compatibility of material with aluminum.
6. Keep spray area well ventilated. Keep a good supply of fresh air moving through the area to keep the air within the spray area free from accumulation of flammable vapors. Keep pump assembly in well ventilated area. Do not spray pump assembly.
7. Do not smoke in the spray area.
8. Do not operate light switches, engines, or similar spark producing products in the spray area.
9. Keep area clean and free of paint or solvent containers, rags, and other flammable materials.
10. Know the contents of the paint and solvents being sprayed. Read all Material Safety Data Sheets (MSDS) and container labels provided with the paints and solvents. Follow the paint and solvent manufacturer's safety instructions.
11. Fire extinguisher equipment shall be present and working.

c) **WARNING - To reduce the risk of injury:**

1. Always wear appropriate gloves, eye protection, clothing and a respirator or mask when painting. Hazardous vapors – Paints, solvents, insecticides, and other materials can be harmful if inhaled or come in contact with body. Vapors can cause severe nausea, fainting or poisoning.
2. Do not operate or spray near children. Keep children away from equipment at all times.
3. Do not overreach or stand on an unstable support. Keep effective footing and balance at all times.
4. Stay alert and watch what you are doing.
5. Do not operate the unit when fatigued or under the influence of drugs or alcohol.
6. Never aim spray gun at any part of the body.
7. Follow all appropriate local, state, and national codes governing ventilation, fire prevention, and operation.
8. The United States Government Safety Standards have been adopted under the Occupational Safety and Health Act (OSHA). These standards, particularly part 1910 of the General Standards and part 1926 of the Construction Standards should be consulted.

9. Use only manufacturer authorized parts. User assumes all risks and liabilities when using parts that do not meet the minimum specifications and safety devices of the turbine manufacturer.
10. Power cord must be connected to a grounded circuit.
11. All swivels, guns and accessories must be rated at or above 10 PSI.
12. Do not spray outdoors on windy days.

d) **WARNING - To reduce the risk of electric shock:**



1. Always remove turbine before cleaning.
2. Power cord must be connected to a grounded circuit.
3. Never submerge electrical parts.
4. Never expose the equipment to rain. Store indoors.
5. Keep electrical cord plug and spray gun trigger free from paint and other liquids. Never hold the cord at plug connections to support the cord. Failure to observe may result in an electrical shock.

## Important Electrical Information

Use only a 3-wire extension cord that has a 3-blade grounding plug and a 3-slot receptacle that will accept the plug on the product. Make sure your extension cord is in good condition. When using an extension cord, be sure to use one heavy enough to carry the current your product will draw. An undersized cord will cause a drop in line voltage resulting in loss of power and overheating. A 14 gauge or 12 gauge cord is recommended. If an extension cord is to be used outdoors, it must be marked with the suffix W-A after the cord type designation. For example, a designation of SJTW-A would indicate that the cord would be appropriate for outdoor use.

Wagner Spray Tech accessory extension cords recommended:

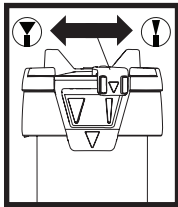
P/N 0090241                      20 foot extension cord  
P/N 0090242                      35 foot extension cord

**IMPORTANT: Household use only. Intended for indoor/outdoor use ONLY with materials having flashpoint above 70°F (21°C).**

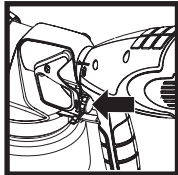
# Controls and Functions

## Start Notice:

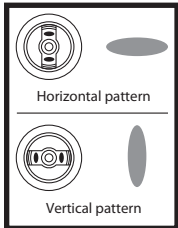
Review the information on this page to familiarize yourself with the controls and functions of your unit.



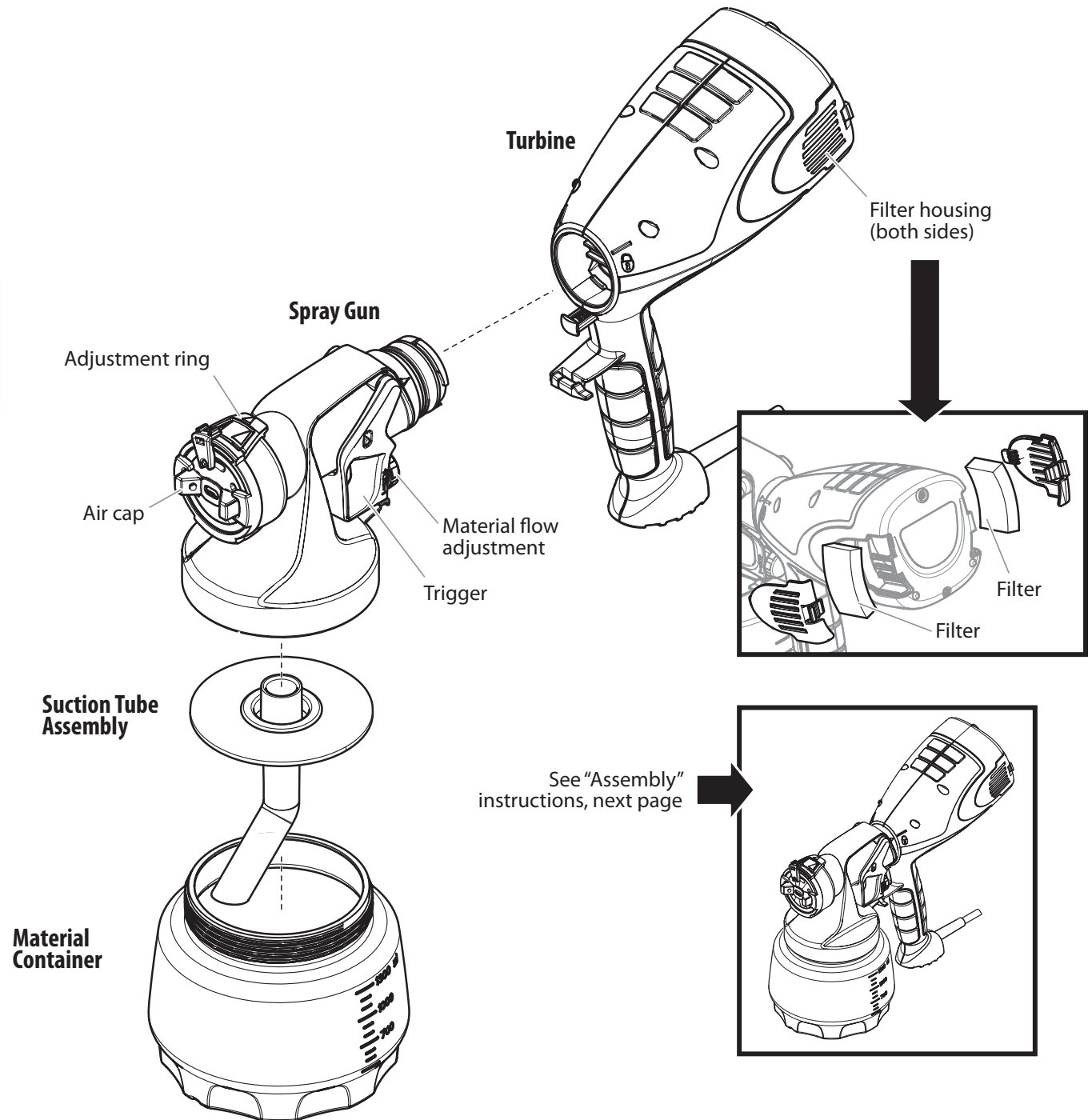
**Adjustment ring:**  
The adjustment ring determines the width of the spray pattern.



**Material flow adjustment:**  
The material flow adjustment controls the amount of spray material that is sprayed from the spray gun.



**Air cap:**  
The spray pattern shape is adjusted by turning the ears of the air cap to either the vertical or horizontal positions.

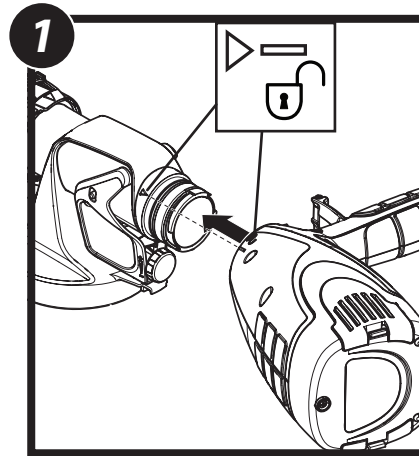


# Assembly

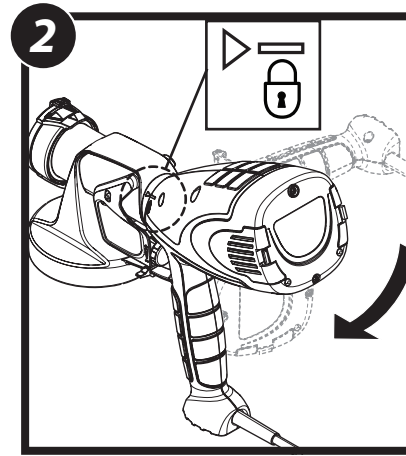
## Start Before you begin:



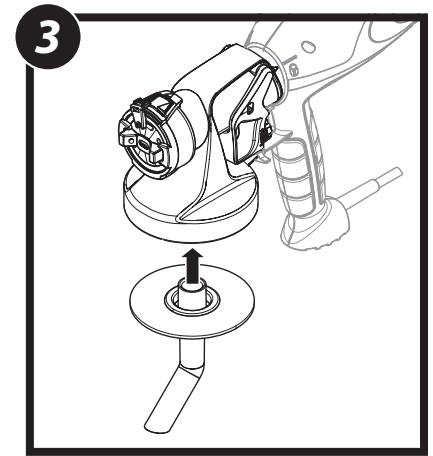
**NEVER** point the spray gun at any part of the body.



1. Align the arrow on the spray gun with the "unlock" symbol on the turbine.

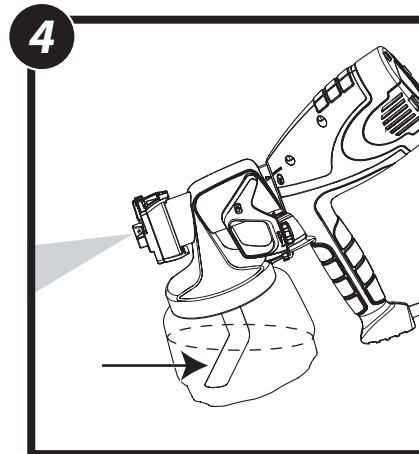


2. Insert and twist the spray gun into the turbine toward the "lock" symbol on the turbine.  
The tab below the trigger will lock the two pieces into place.

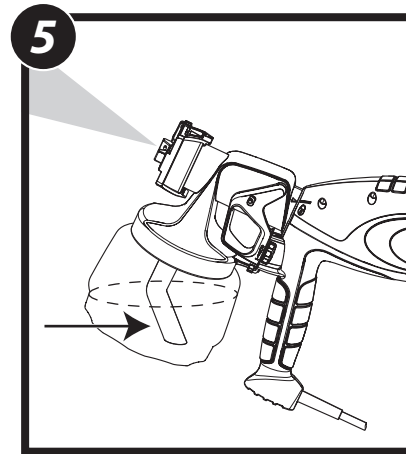


3. Insert the suction tube into the intake opening.

**Note:** Make sure the suction tube is inserted as far as it will go to ensure a tight fit.



4. **Align the suction tube -**  
If you are going to be spraying in a downward direction, the angled end of the suction tube should be pointing toward the front of the gun.



5. If you are going to be spraying in an upward direction, the angled end of the suction tube should be pointing toward the rear of the gun.

**IMPORTANT:** Never tip the sprayer at more than a 45° angle. Material could get into the turbine and damage the sprayer.

# Material Preparation

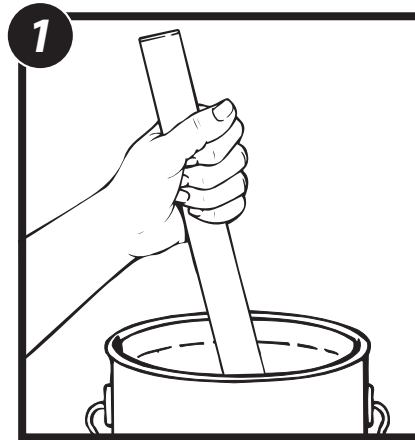
## Start **Thinning the material:**

Before spraying, the material being used may need to be thinned with the proper solvent as specified by the material manufacturer. Never exceed the thinning advice given by the coating manufacturer.

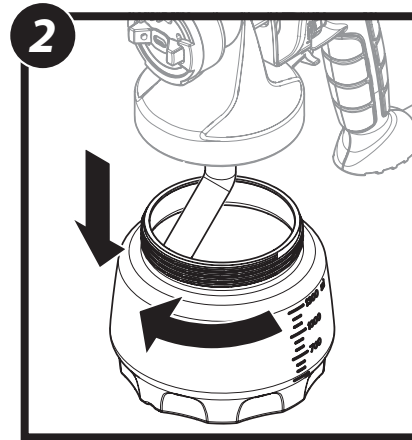


**Do not thin with materials that have a flashpoint below 70°F (21°C). The material flashpoint should be shown on the material container.**

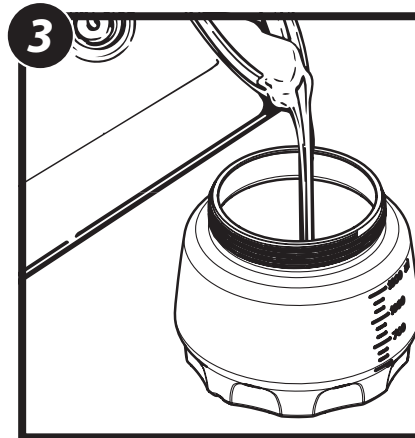
**Note:** Material to be sprayed should always be strained to remove any impurities in the paint which may enter and clog the system. Impurities in the paint will give poor performance and a poor finish.



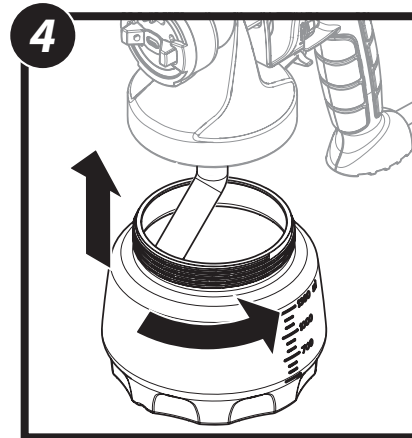
1. Stir the spraying material thoroughly.



2. Unscrew the cup from the spray gun.



3. After the material has been properly thinned and strained, fill the container to the top of the neck.



4. Carefully screw the cup back onto the spray gun.

# Spraying

## Start Notice:

Spray performance will depend upon a number of factors: material thickness, spray pattern selected, and material volume. With any type of air-assisted spraying, desired spray results will be achieved through some trial and error while adjusting some or all of these variables.

Review these pages to learn about the spray controls and how they can be used to achieve the desired spray results.

## Controls

### Material Volume Adjustment

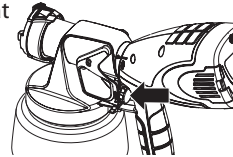
The material flow adjustment controls the amount of spray material that is sprayed from the spray gun.

- For thicker materials, it is recommended that you start with the highest material flow setting and then gradually **decrease** the flow to suit your particular spraying needs.
- For thinner materials, it is recommended that you start with a low material flow setting, and then gradually **increase** the flow to suit your particular spraying needs.
- The higher the flow setting, the quicker you will have to work in order to avoid drips and sags in your spray pattern.

Set the material volume by turning the knob on the trigger of the spray gun.

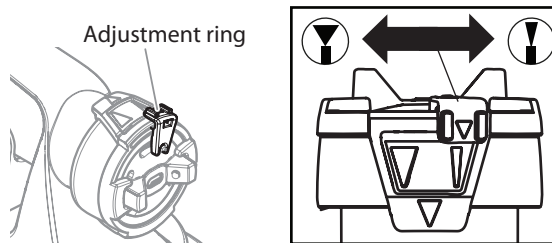
**Tip:** Spraying with the knob set too high will result in a spray pattern that runs and sags (too much material).

**Tip:** Spraying with the regulator set too low will result in a spray pattern that does not cover (not enough material).



### Adjust Spray Width

The adjustment ring on the spray gun determines the width of the spray pattern.



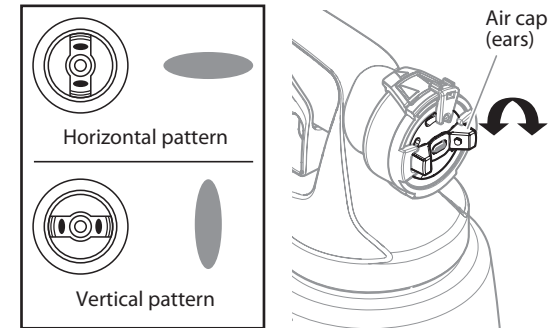
- |  |                               |   |  |
|--|-------------------------------|---|--|
|  | <b>Wide pattern</b>           | → | For coating large surfaces                   |
|  |                               | → | Use higher material volume                   |
|  | <b>Narrow (round) pattern</b> | → | For coating smaller areas, corners and edges |
|  |                               | → | Use lower material volume                    |

### Adjust Spray Shape

The spray pattern shape is adjusted by turning the ears of the air cap to either the vertical or horizontal positions. The positions of the air cap and the corresponding spray pattern shapes are illustrated below.

Test each pattern and use whichever pattern is suitable for your application.

**! NEVER trigger the gun while adjusting the ears on the air cap. NEVER point the spray gun at any part of the body.**



- |  |                           |   |                                    |
|--|---------------------------|---|------------------------------------|
|  | <b>Horizontal pattern</b> | → | Use 'up and down' spraying motion  |
|  | <b>Vertical pattern</b>   | → | Use 'side to side' spraying motion |

## Proper Spraying Technique



The room you are spraying must be properly masked in order to prevent overspray from covering woodwork, floors or furnishings. Make sure you have properly masked the room per the instructions on the enclosed "Taping Guide".

If spraying with an air-assisted spray system is new or unfamiliar to you, it is advisable to practice on a piece of scrap wood or cardboard before beginning on your intended workpiece.

### Surface Preparation

All objects to be sprayed should be thoroughly cleaned before spraying material on them. Areas not to be sprayed may, in certain cases, need to be masked or covered.

### Spray Area Preparation

The spray area must be clean and free of dust in order to avoid blowing dust onto your freshly sprayed surface.

### How to Spray Properly

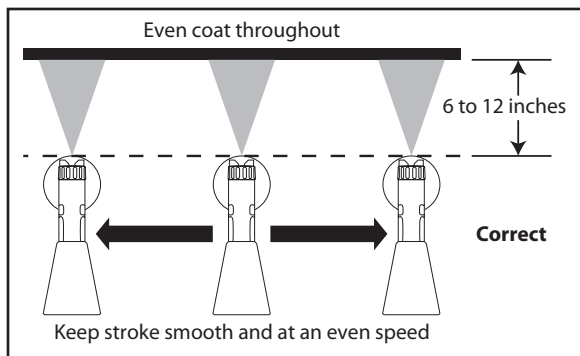


It is important to keep your arm moving whenever the gun is being triggered. If you pause or linger in one spot too long, too much material will be sprayed to the surface.

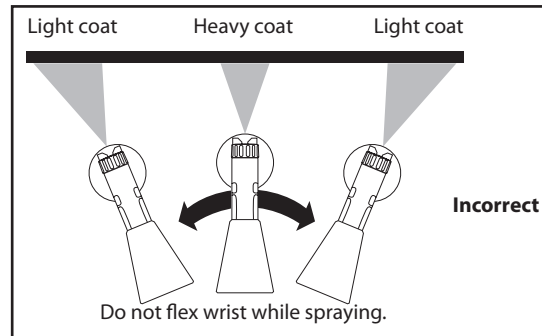


Partially pulling the trigger will start the turbine, but no material will spray until the trigger is pulled fully. It is recommended that the trigger first be pulled partially in order to start the turbine before a spray pass is made.

- Position the spray gun perpendicular to and six (6) or more inches from the spray surface, depending upon the spray pattern size desired.
- Spray parallel to the surface with smooth passes at a consistent speed as illustrated below. Doing this will help avoid irregularities in the finish (i. e. runs and sags).
- Always apply a thin coat of material on the first pass and allow to dry before applying a second, slightly heavier coat.



- When spraying larger surfaces, overlap each spray pass by at least 50%. This will ensure full coverage.
- When spraying, always trigger the spray gun after spray pass has begun and release trigger before stopping the pass. Always keep the gun pointed squarely at the spray surface and overlap passes slightly to obtain the most consistent and professional finish possible.



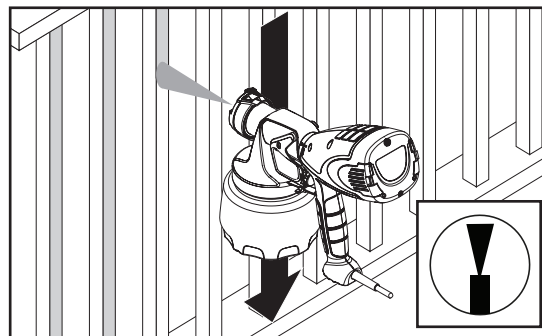
When you quit spraying for any length of time, unplug the sprayer.

### Pattern Examples

Use the images and guidelines below in order to assist you in achieving the desired spray pattern for your project. These are meant to be general starting points - you may have to slightly modify certain controls on the system in order to get the exact performance you need.

#### Low volume - round pattern

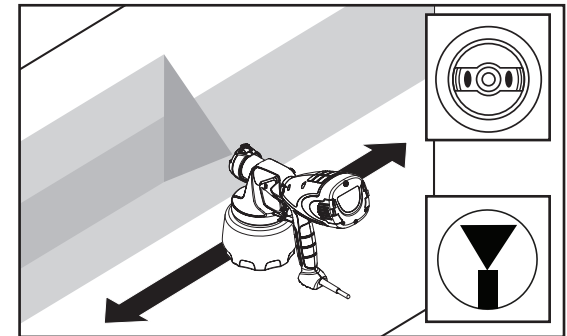
Generally, low volume is needed for spraying smaller surface areas, such as corners, lattice, or spindles.



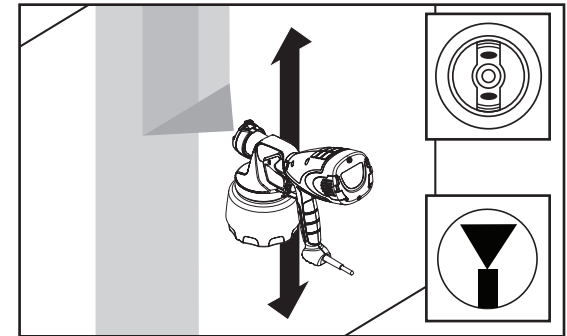
- If you feel the material is going on too thin, increase the material volume.
- If you feel the material is going on too thick, decrease the material volume even further or move the spray gun further away from the surface.

#### High volume - vertical/horizontal pattern

Generally, high volume is needed for spraying large surface areas, such as a wall.



- The spray nozzle will determine the movement direction of the spray gun.



**Note:** If after following the guidelines on these two pages you are still not getting the spray performance you need, refer to the 'Troubleshooting' section on page 11.

Besides adjusting the controls, other factors that should be considered when spraying:

- **Distance from the spray object** - if you are too far from the spraying surface, the material will go on too thin, and vice versa.
- **Material thickness** - if the spray pattern runs and/or is too splotchy, the material may need to be thinned.
- **Spray gun movement** - moving the gun too quickly will cause the spray pattern to be too thin and excess overspray. Moving the gun too slowly will cause the spray pattern to be too coarse or thick.

# Cleanup - Flushing the unit

## Start Before you begin:

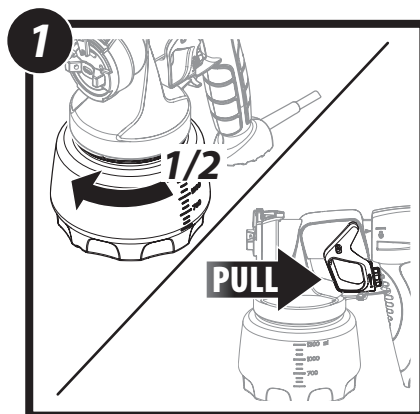
When cleaning, use the appropriate cleaning solution (warm, soapy water for latex materials; mineral spirits for oil-based materials)

**IMPORTANT:** Never clean nozzle or air holes in the spray gun with sharp metal objects. Do not use solvents or lubricants containing silicone.



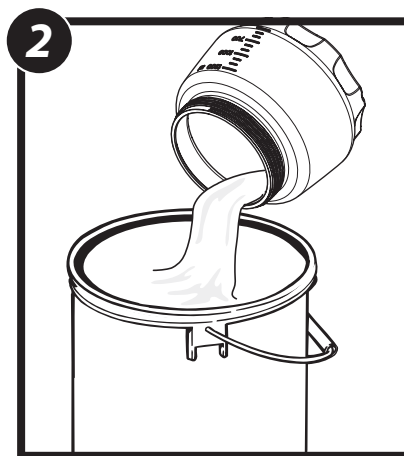
**Special cleanup instructions for use with flammable solvents (must have a flashpoint above 70°F (21°C):**

- Always flush spray gun outside.
- Area must be free of flammable vapors.
- Cleaning area must be well-ventilated.
- Do not submerge turbine!

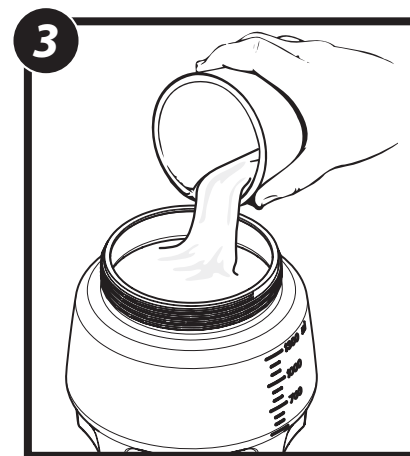


1. Unplug the power cord. Loosen the material container by 1/2 turn, but do not remove it. This will relieve any pressure left over in the system.

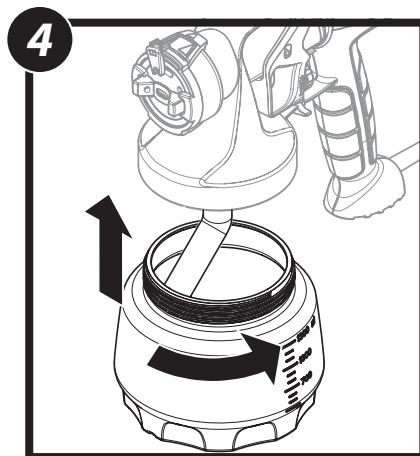
Trigger the spray gun so that the material inside the spray gun flows back into the container.



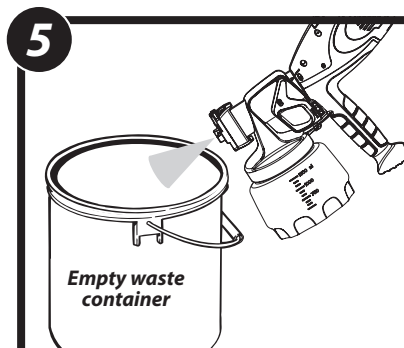
2. Unscrew the container and remove. Empty any remaining material back into the material container.



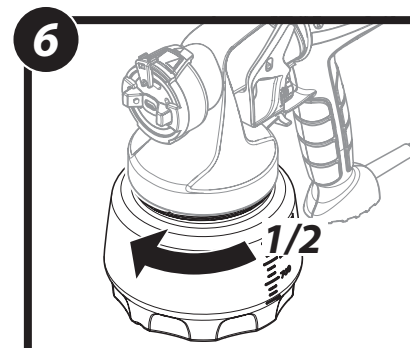
3. Pour a small amount of the appropriate cleaning solution into the cup.



4. Attach the cup to the gun and plug in the sprayer.



5. Spray the cleaning solution into a safe area. While spraying, gently shake the spray gun. This slight agitation will help break up smaller particles of spray material.



6. Unplug the power cord. Loosen the material container by 1/2 turn, but do not remove it. This will relieve any pressure left over in the system. Trigger the spray gun so that the material inside the spray gun flows back into the container.

**Move on to "Cleanup - Cleaning the spray gun components", next page.**



# Cleanup - Cleaning the spray gun

## Start Before you begin:

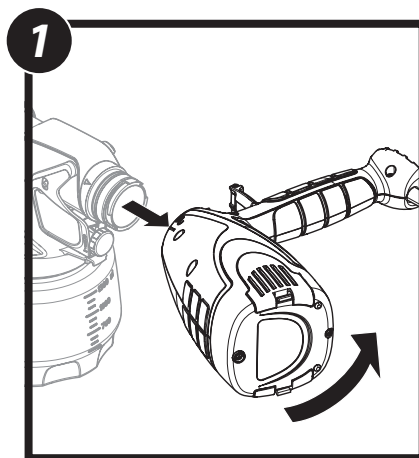
When cleaning, use the appropriate cleaning solution (warm, soapy water for latex materials; mineral spirits for oil-based materials)

**IMPORTANT:** Never clean nozzle or air holes in the spray gun with sharp metal objects. Do not use solvents or lubricants containing silicone.

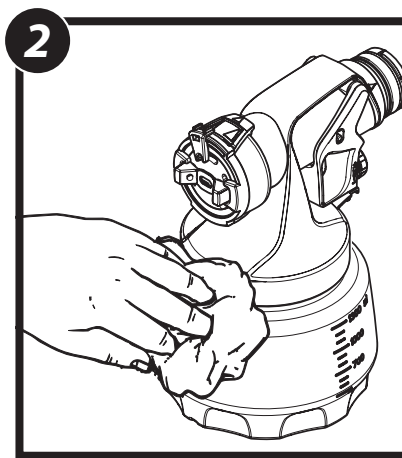


**Special cleanup instructions for use with flammable solvents (must have a flashpoint above 70°F (21°C):**

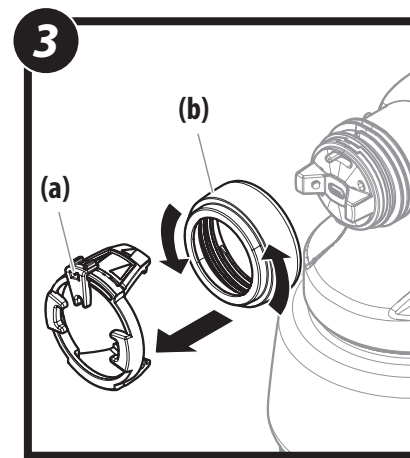
- Always flush spray gun outside.
- Area must be free of flammable vapors.
- Cleaning area must be well-ventilated.
- Do not submerge turbine!



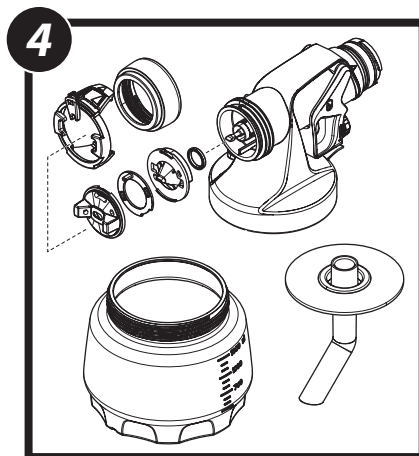
1. Make sure power cord is unplugged.  
Push the tab below the trigger, twist and separate the spray gun from the turbine.



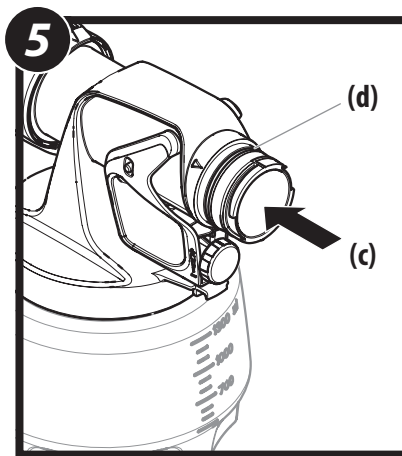
2. Wipe the exterior of the cup and gun until clean.



3. Remove the adjustment ring (a) carefully from the connecting nut (b). Loosen the connecting nut.



4. Remove the parts as shown. Clean all parts with a cleaning brush and the appropriate cleaning solution.  
To reassemble, see the instructions on the next page.



5. Clean the rear of the spray gun (c) with the appropriate cleaning solution. Use a thin layer of petroleum jelly to lubricate the O-ring (d).

# Reassembly / Maintenance

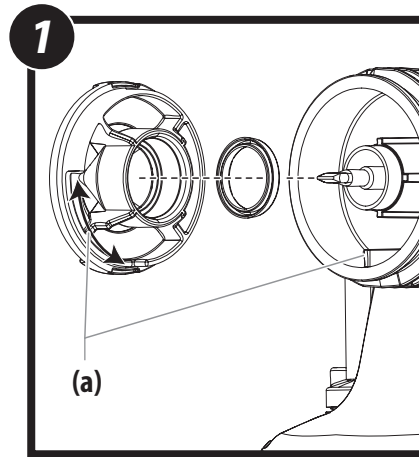
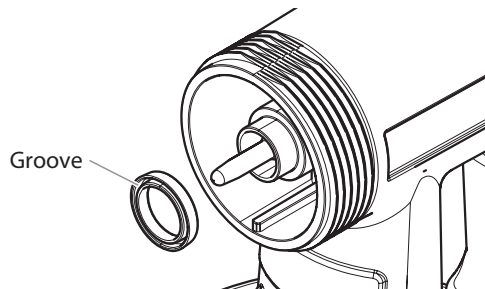
## Start Important:

You should inspect the air filters in the turbine to see if it is excessively dirty. If it is dirty, follow these steps to replace it.

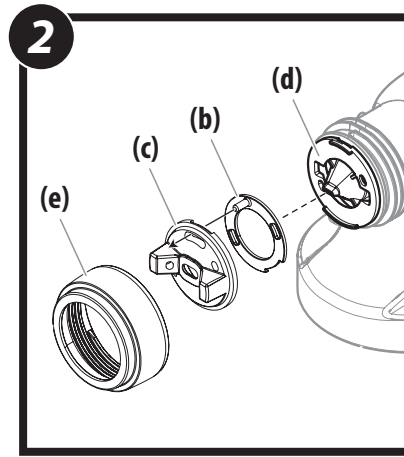
**IMPORTANT:** Never operate your unit without the air filters. Dirt could be sucked in and interfere with the function of the unit.

### \* Cup seal

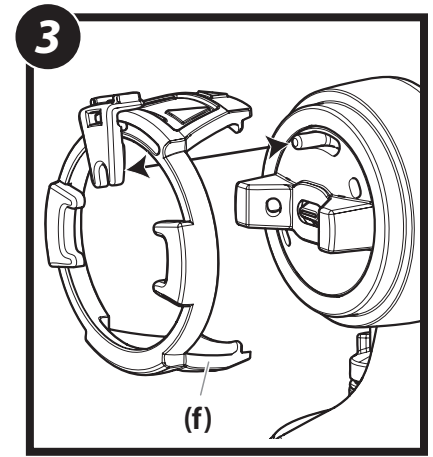
It is important that the cup seal inside the spray gun be re-installed properly. Make sure the cup side of the seal (the side with the groove) is facing out towards the front of the spray gun.



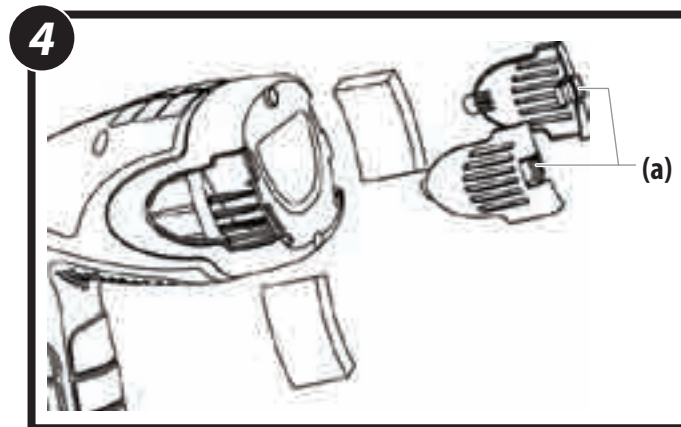
1. Install the cup seal with the groove (slot) facing toward the nozzle\*. Insert the nozzle, keeping an eye on the grooves (a).



2. Put the air screen (b) in the air cap (c). Put both on the nozzle (d) and secure with the connecting nut (e).



3. Snap the adjustment ring (f) into the connecting nut, enabling the loop on the peg to be positioned in the air cap. Reassemble the spray gun.



4. Unplug the spray gun. Push the snap levers (a) on the two turbine covers and remove them. Remove the dirty filters and replace with new ones. The smooth side of the air filter must be placed toward the turbine. Secure the covers back onto the turbine.

# Troubleshooting



Any attempt to open the motor housing or repair any electrical parts within the unit by anyone other than an authorized repair technician could cause serious injury and will void the warranty.

## Problem A: Little or no material flow

Cause	Solution
1. Nozzle clogged.	Clean.
2. Suction tube clogged.	Clean.
3. Material volume setting turned too low (-).	Increase volume setting (+).
4. Suction tube loose.	Insert.
5. No pressure build up in container.	Tighten container.
6. Air filter clogged.	Change.

## Problem B: Material leaking

Cause	Solution
1. Nozzle loose.	Tighten.
2. Nozzle worn.	Replace.
3. Nozzle seal worn.	Replace.
4. Material build-up on air cap and nozzle	Clean.

## Problem C: Spray pattern too thick, runs and sags

Cause	Solution
1. Viscosity of material too high.	Thin.
2. Material volume too large.	Decrease volume setting (-).
3. Material volume setting too high (+).	Decrease volume setting (-).
4. Nozzle clogged.	Clean.
5. Air filter clogged.	Change.
6. Too little pressure build-up in container.	Tighten container.

## Problem D: Spray jet pulsates

Cause	Solution
1. Material in container running out.	Refill.
2. Air filter clogged.	Change.

## Problem E: Pattern runs or sags

Cause	Solution
1. Applying too much material.	Adjust material flow or increase movement of spray gun.

## Problem F: Too much overspray

Cause	Solution
1. Gun too far from spray object.	Reduce distance.
2. Too much material applied.	Decrease volume setting (-).

## Problem G: Pattern is very light and splotchy

Cause	Solution
1. Moving the spray gun too fast.	Adjust material flow or decrease movement of spray gun.



This unit contains no servicable electrical parts. Do not attempt to service yourself. Store indoors with the cord wrapped around the turbine handle.



Have you tried the recommendations above and are still having problems? In the United States, to speak to a customer service representative, call our Technical Service at 1-800-328-8251 Monday through Friday between 8:00 AM and 4:30 PM Central time.

## **Limited warranty**

### **HVLP paint spray equipment**

This product, manufactured by Wagner Spray Tech Corporation (Wagner), is warranted against defects in material and workmanship for one year following date of purchase if operated in accordance with Wagner's printed recommendations and instructions. This warranty does not cover damage resulting from improper use, accidents, user's negligence or normal wear. This warranty does not cover any defects or damages caused by service or repair performed by anyone other than a Wagner Authorized Service Center.

ANY IMPLIED WARRANTY OF MERCHANTABILITY OR FITNESS FOR A PARTICULAR PURPOSE IS LIMITED TO one year FOLLOWING DATE OF PURCHASE. WAGNER SHALL NOT IN ANY EVENT BE LIABLE FOR ANY INCIDENTAL OR CONSEQUENTIAL DAMAGES OF ANY KIND, WHETHER FOR BREACH OF THIS WARRANTY OR ANY OTHER REASON. THIS WARRANTY DOES NOT APPLY TO ACCESSORIES.

THIS PRODUCT IS DESIGNED FOR HOME USAGE ONLY. IF USED FOR COMMERCIAL OR RENTAL PURPOSES, THIS WARRANTY APPLIES ONLY FOR 30 DAYS FROM DATE OF PURCHASE.

If any product is defective in material and/or workmanship during the applicable warranty period, return it with proof of purchase, transportation prepaid to any Wagner Authorized Service Center. (Service Center listing is enclosed with this product.) Wagner's Authorized Service Center will either repair or replace the product (at Wagner's option) and return it to you, postage prepaid.

SOME STATES DO NOT ALLOW LIMITATIONS ON HOW LONG AN IMPLIED WARRANTY LASTS OR THE EXCLUSION OF INCIDENTAL OR CONSEQUENTIAL DAMAGES, SO THE ABOVE LIMITATION AND EXCLUSION MAY NOT APPLY TO YOU. THIS WARRANTY GIVES YOU SPECIFIC LEGAL RIGHTS, AND YOU MAY ALSO HAVE OTHER RIGHTS WHICH VARY FROM STATE TO STATE.

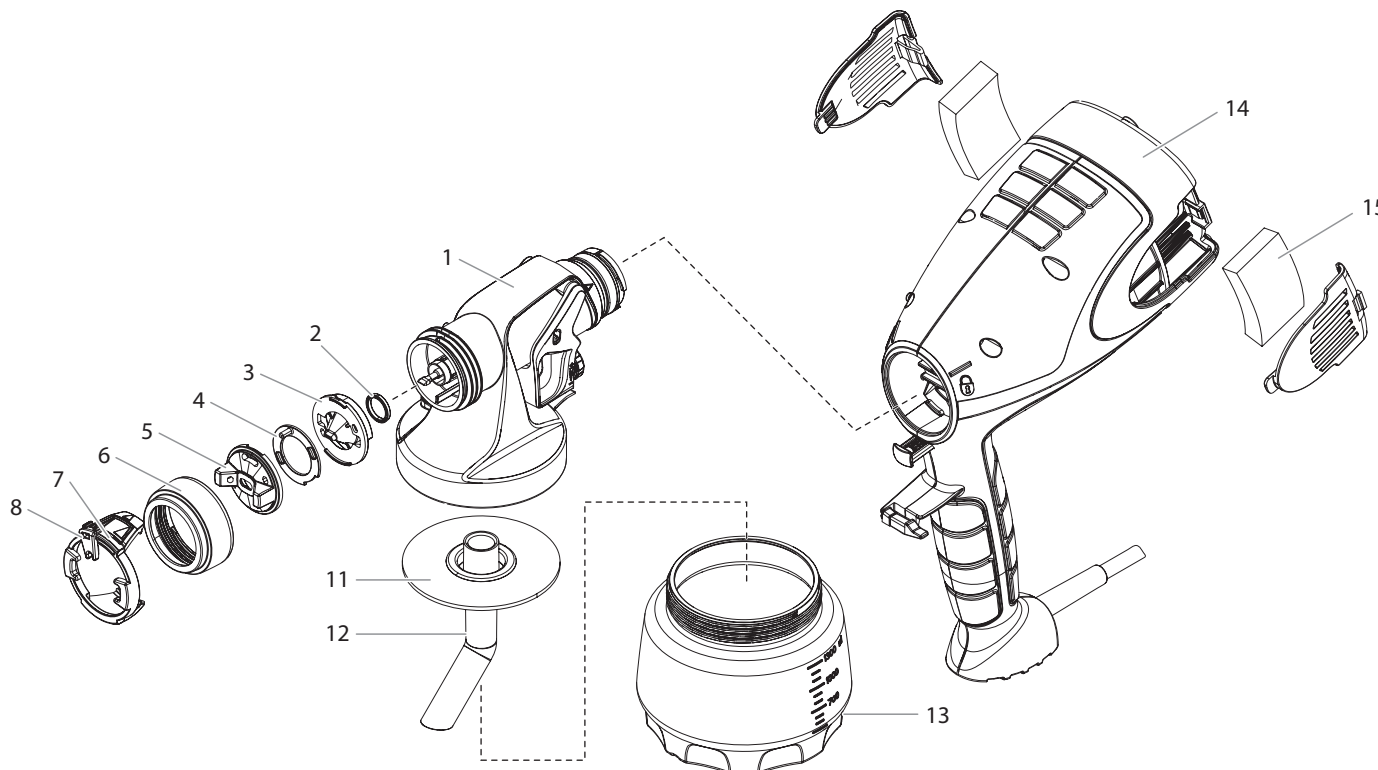
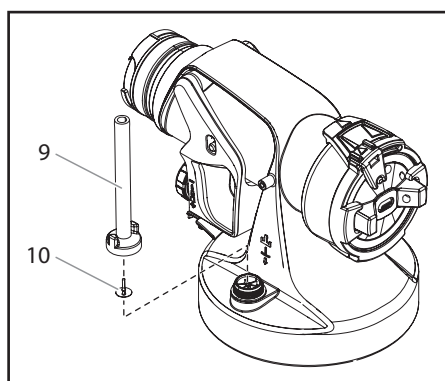
# Parts List • Liste de pièces • Lista de piezas

Replacement parts available by calling customer service

On peut obtenir des pièces de rechange en appelant le Service à la clientèle.

Los repuestos están disponibles llamando al servicio a clientes.

**1-800-328-8251**



Item Article Artículo	Part No. N° de pièce Pieza No.	English Description	Français Description	Español Descripción	Quantity Quantite Cantidad
1	2322547	Spray gun assembly (includes items 1-10)	Ensemble de pistolet (inclut des pièces 1 à 10)	Ensamblaje de pistola (incluye los artículos 1-10)	1
2	0417465	Nozzle seal	Joint d'étanchéité de embout	Sello de boquilla	1
3	2317424	Nozzle	Embout	Boquilla	1
4	2320187	Air screen	Filtre à air	Filtro de aire	1
5	2322541	Air cap	Chapeau d'air	Tapa de aire	1
6	2322537	Connecting nut	Écrou d'assemblage	Tuerca de conexión	2
7	2322542	Adjustment ring	Anneau de tarage	Anillo de ajuste	1

Item Article Artículo	Part No. N° de pièce Pieza No.	English Description	Français Description	Español Descripción	Quantity Quantite Cantidad
8	2322543	Lever	Levier	Palanca	1
9	0417356	Tube	Tube	Tube	1
10	2301587	Valve seal	Joint de clapet	Junta de la válvula	1
11	0417474	Seal	Joint	Sello	1
12	0417473	Suction tube	Tube d'aspiration	Tubo de succión	1
13	2303366	Material container	Réservoir de liquide	Recipiente	1
14	-----	Turbine (includes item 15)	Turbine (inclut de pièce 15)	Turbina (incluye le artículo 15)	1
15	0417323	Filter	Filtre	Filtro	2