

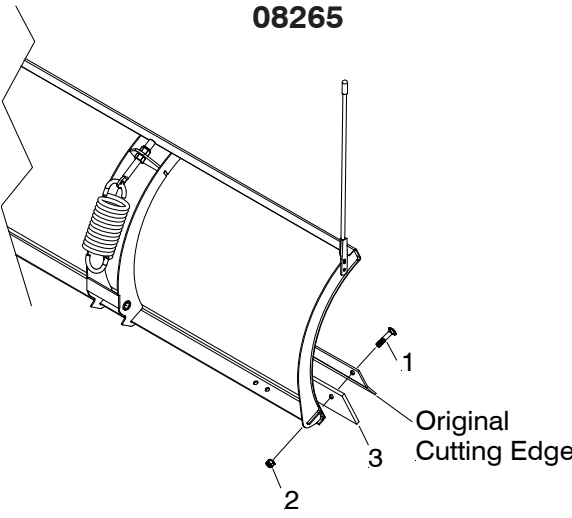
# Installation Instructions

## Part No. 08265 Rubber Cutting Edge Kit

## Part No. 08266 Polyurethane Cutting Edge Kit

### Installation & Operation

**08265**



Item	Part No.	Qty	Description
	08265	1	Rubber Cutting Edge kit
	08224	1	• Hardware Bag
1	22309	12	•• Bolt C 1/2-13 x 3-1/2"
2	20307	12	•• 1/2-13 Locknut
3	13076	1	• Rubber Cutting Edge

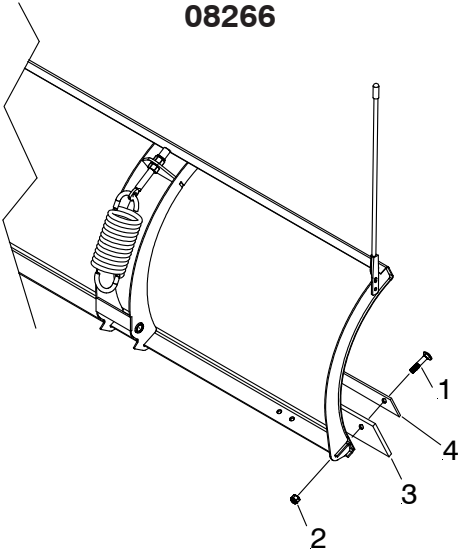
**Installation**

A. Remove original cutting edge.

B. Place Rubber Cutting Edge (3) between plow and original cutting edge (turned upside down) and fasten using 1/2-13 x 3-1/2" Bolt C (1) and 1/2-13 Locknut (2).

C. Adjust Rubber Cutting Edge (3) as far up as possible and tighten. The slots are for adjustability as the Rubber Cutting Edge wears.

**08266**



Item	Part No.	Qty	Description
	08266	1	Polyurethane Cutting Edge kit
	08224	1	• Hardware bag
1	22309	12	•• Bolt C 1/2-13 x 3-1/2"
2	20307	12	•• 1/2-13 Locknut
3	12708	1	• Polyurethane Cutting Edge
4	12707	1	• Bar Strap

**Installation**

A. Remove original cutting edge.

B. Place Polyurethane Cutting Edge (3) between plow and Bar Stop (4) and fasten using 1/2-13 x 3-1/2" Bolt C (1) and 1/2-13 Locknut (2) and tighten.

**The Home Plow assumes no responsibility for installations not made in accordance with these instructions.**

The Home Plow reserves the right, under its continuing product improvement program, to change construction or design details, specifications and prices without notice or without incurring any obligation.

The Home Plow  
18513 Euclid Ave. • Cleveland, Ohio 44112-1084  
Phone 877-412-PLOW (7569)  
email info@thehomeplow.com