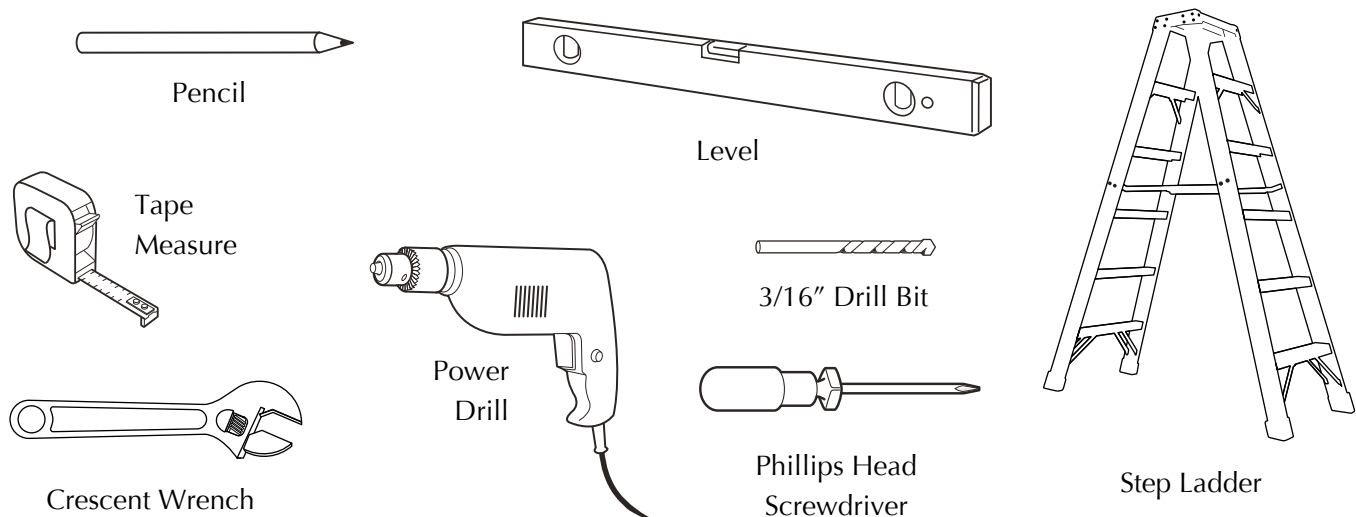


READ ALL INSTRUCTIONS PRIOR TO STARTING!

TOOLS REQUIRED

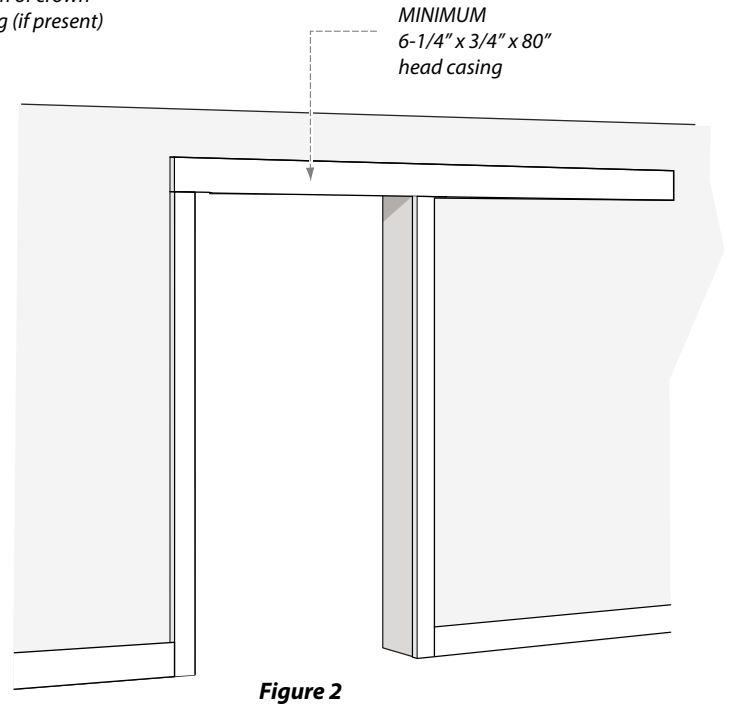
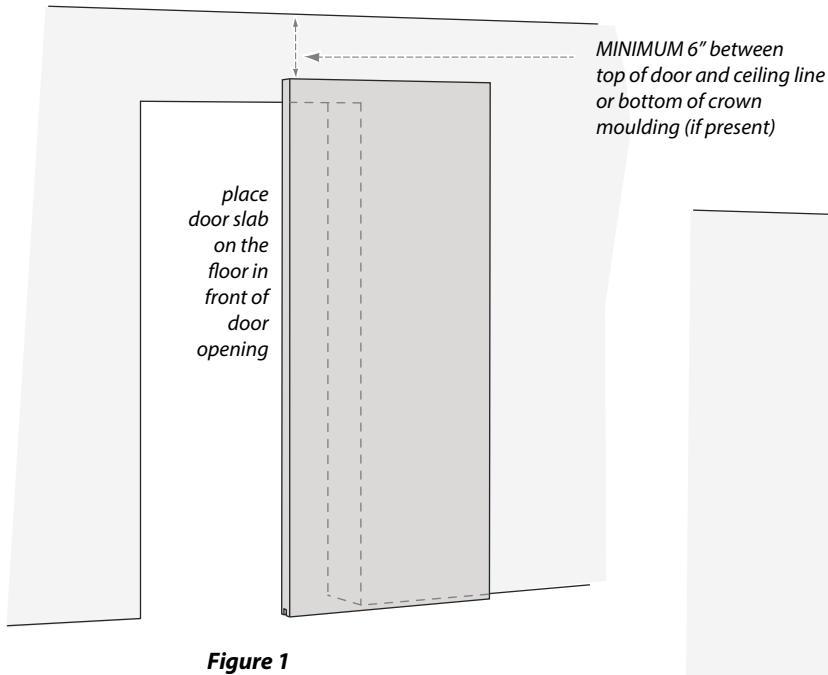


BEFORE GETTING STARTED: PRECAUTIONS

1. Please wear safety gear appropriate to tools being used. Eye protection should be used at all times. Failure to use protective eye gear can result in serious injury. **ALWAYS wear proper safety gear when operating power tools.**
2. Always ensure you have ample space to operate power tools with complete control of the power tool.
3. Barn Door installation requires the install of **anti-jump discs** as well as **end stops** to ensure the door cannot come off the track. Failure to properly install these safety items could cause serious injury or even death. These items are required for safe operation of this Barn Door hardware.
4. The Door(s) are heavy and should be lifted by 2 people at all times. Mishandling of heavy objects (i.e., doors) may cause a loss of balance resulting in injury. Always take precaution in assuring proper balance before moving the door(s). Safety shoes should also be worn to prevent any foot injuries.
5. The doors roll on the track which can create pinch points (hair, fingers, clothing, etc.). Take precaution when moving the door on the track.
6. Take care in not catching fingers in door opening when sliding the door closed.

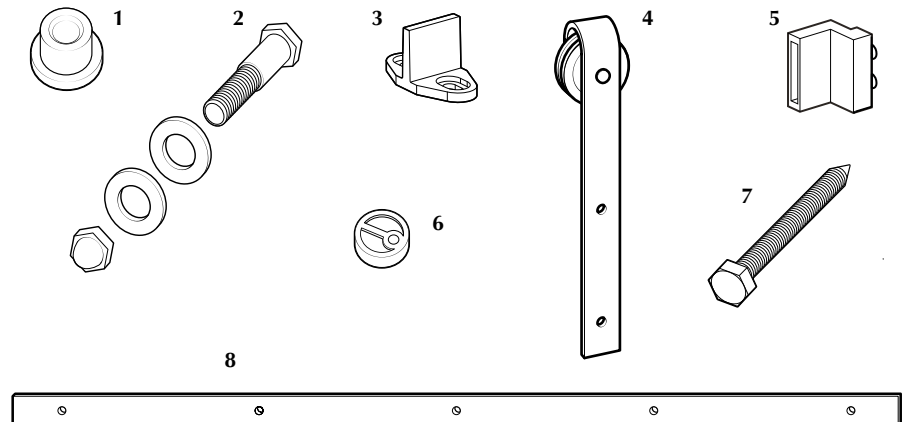
PRIOR TO INSTALLING HARDWARE

1. Ensure door clearances (figure 1).
2. Install flat, no profile, head casing (not included with barn door hardware kit) securely mounted into the wall studs prior to installing the Barn Door hardware. The head casing should be a minimum of 6-1/4" tall x 3/4" thick x 80" long (figure 2). This piece should be made of hardwood that can withstand 150lbs. of weight. **IT IS CRITICAL this piece be secured in the studs and level for proper travel of the barn door.**
3. Finish Head Casing prior to starting Hardware install.



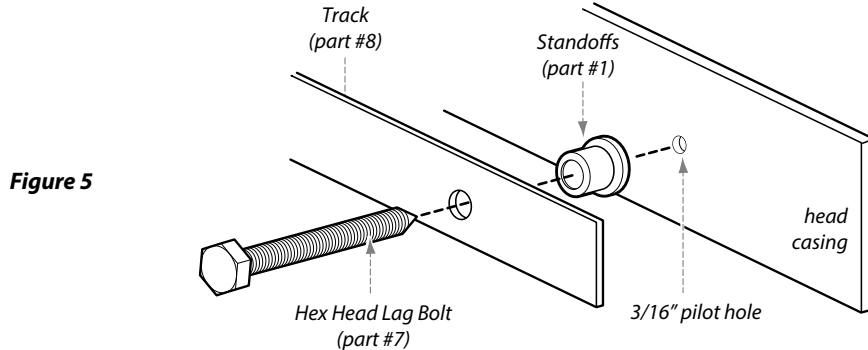
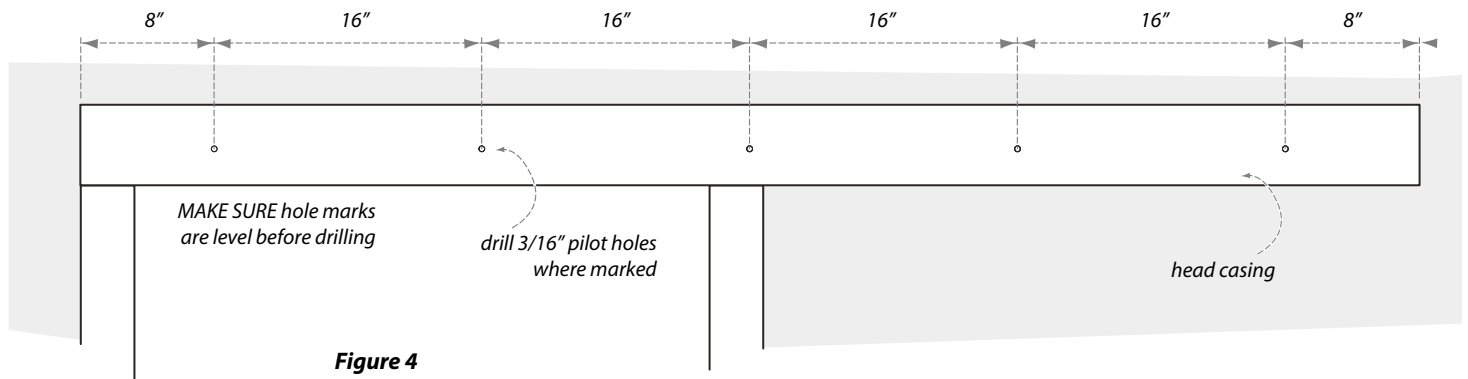
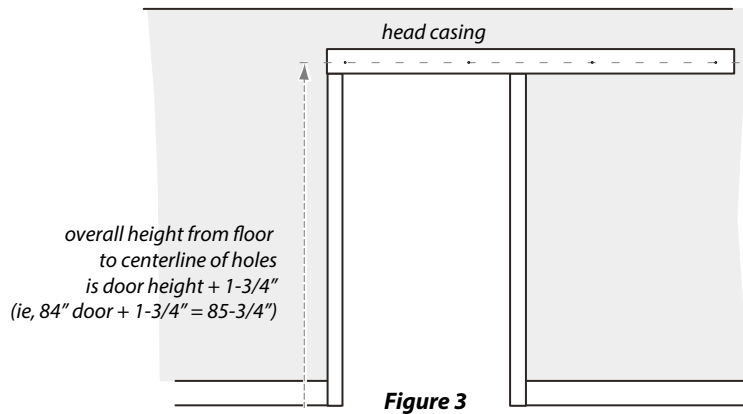
PARTS LIST

- | | |
|---------------------------|---|
| 1. Standoff | 5 |
| 2. Hex Bolt, Washer & Nut | 4 |
| 3. T-Guide | 1 |
| 4. J-Hook / Hanger | 2 |
| 5. End Stop | 2 |
| 6. Anti-jump Disc | 2 |
| 7. Hex Head Lag Bolt | 5 |
| 8. Track | 1 |



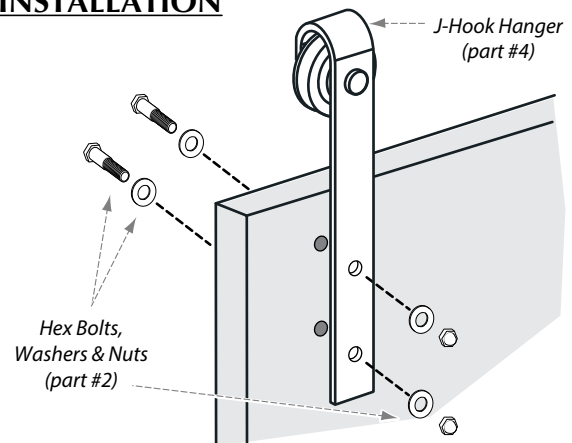
TRACK INSTALLATION

1. Install track by first measuring/marketing hole location on the head casing (figure 3 & 4).
2. Drill 3/16" pilot holes (figure 4).
MAKE SURE hole marks are level before drilling.
3. Using hex head lag bolts (part #7) install track (part #8) with standoffs (part #1) between head casing and track (figure 5).



J-HOOK/HANGER INSTALLATION

1. Install J-hook hangers (part #4) with hex bolts, washer and nuts (part #2) in factory predrilled stile holes as shown (figure 6).



J-HOOK/HANGER INSTALLATION (continued)

- Carefully place the door on the track (figure 7).
- On both ends of track, install end stops (part #5) approximately 2" in from the end of the track to prevent door from rolling off (figure 8).
- Prior to installing the anti-jump discs (part #6), operate the door back and forth carefully to check all clearances.
- Once clearances and proper door operation are established, install anti-jump discs as shown 6" to 8" from edge of door (figure 9).
- Install T-guide (part #3) on floor. With door hanging vertical (check with level), measure from wall to the middle of the groove in the bottom edge of door. Slide door carefully (so as to not have the door come off the track) all the way to the other end of the track. Install T-guide. Roll door back to middle.
- Adjust end stops to desired location. **Note: based on door width used, end stop may be required to slide on track prior to securing last stand off.**

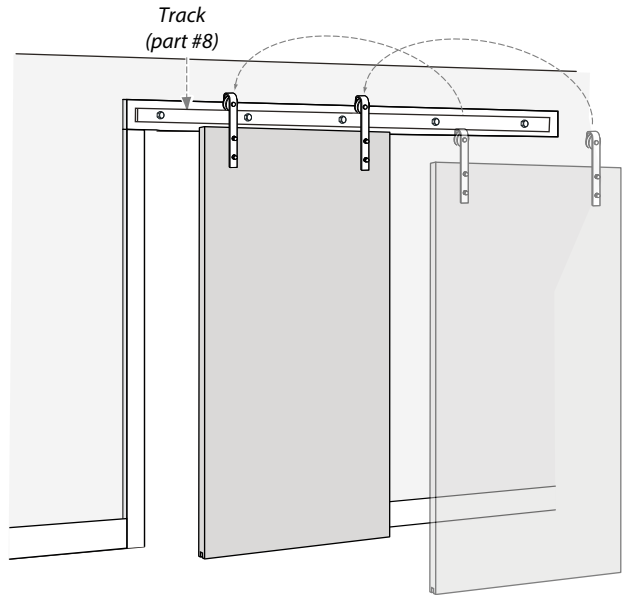


Figure 7

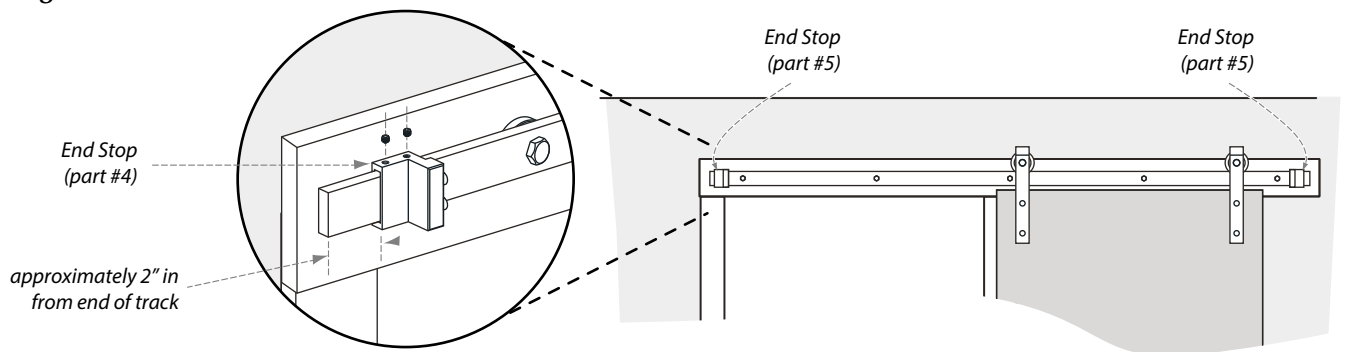


Figure 8

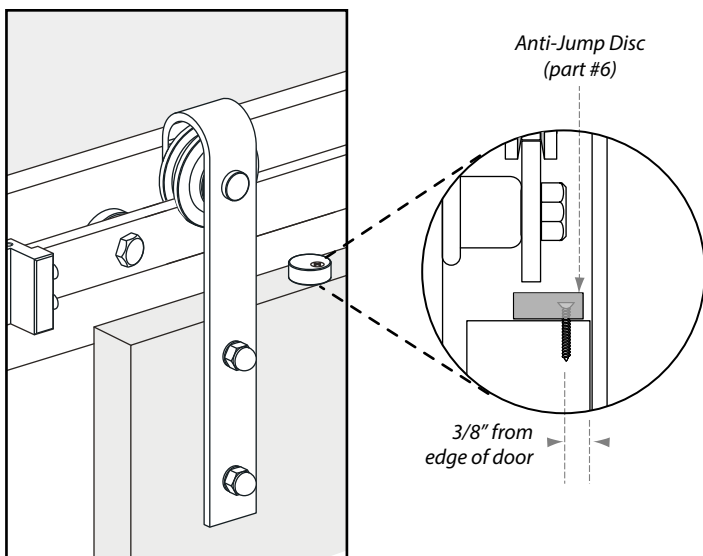


Figure 9

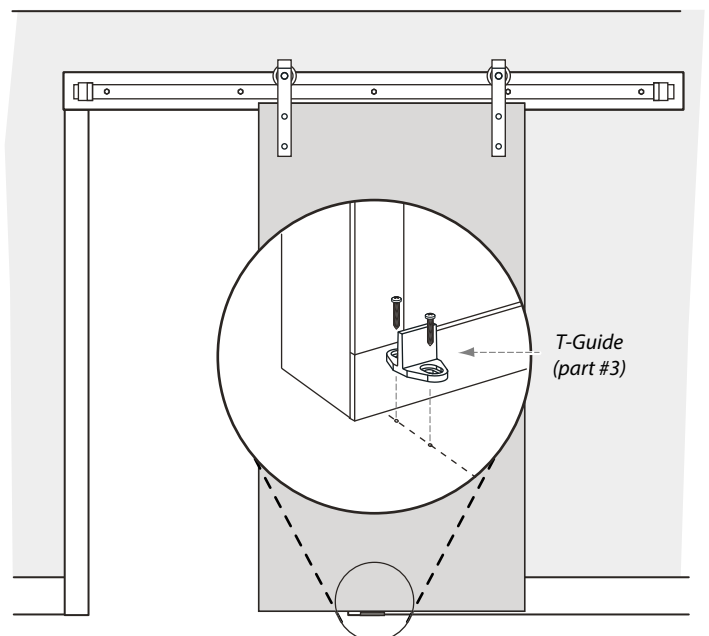


Figure 10