

# Deck Plate

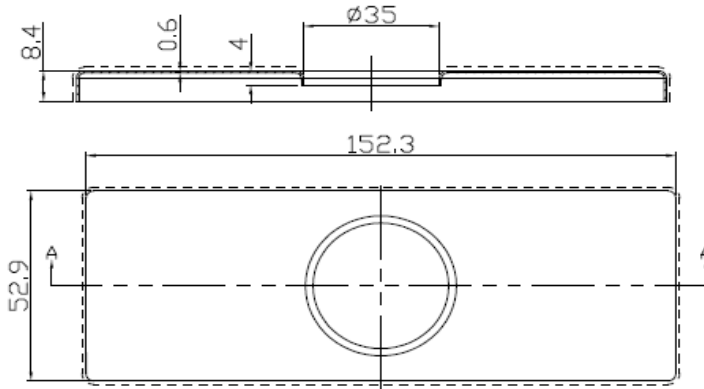


## Specifications

Description	Deck Plate
Material	Zink alloy
Dimension	6.0*2.08*0.33
Hole Dia	1.38



## Dimensions



## Warranty & Compliances

Warranty	Lifetime Limited Warranty, Lifetime Limited Finish Warranty
IAPMO/UPC	CUPC compliant
ASME	ASME A112.18.1/ CSA B125.1



## Order Codes & Finishes/Colors

Satin Nickel (US15)	547752
Polished Chrome	547760
Oil Rubbed Bronze	



Type:
Job:
Order Code:
Approvals:

Design House reserves the right to make changes in materials, specifications & models at any time. Design House also reserves the right to discontinue product without notice or obligation.