



Wood Components (Not to Scale)



AN1 | LOWER SUPPORT - W4L13032
(1) | 1 3/8"x4 3/8"x81 1/4" (36x112x2065)



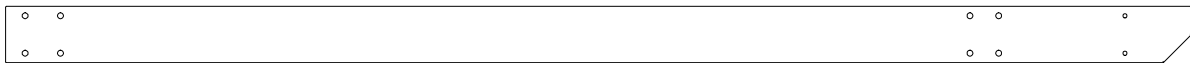
AN2 | TOP SUPPORT - W4L13069
(2) | 1 3/8"x4 3/8"x81 1/4" (36x112x2065)



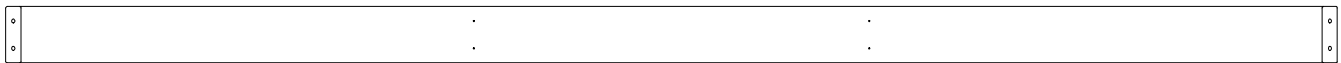
AN3 | LOWER SUPPORT - W4L13070
(1) | 1 3/8"x4 3/8"x81 1/4" (36x112x2065)



D1 | BEAM - W4L12941
(1) | 1 3/8"x5 1/4"x111 1/4" (36x134x2826)



D2 | BEAM - W4L12942
(1) | 1 3/8"x5 1/4"x111 1/4" (36x134x2826)



D3 | BEAM - W4L12943
(1) | 1 3/8"x5 1/4"x124 7/8" (36x134x3172)



D4 | BEAM - W4L12944
(1) | 1 3/8"x5 1/4"x146 1/4" (36x134x3714)



D6 | SUPPORT BRACE - W4L13037
(2) | 1 3/8"x5 1/4"x7 7/8" (36x134x199)



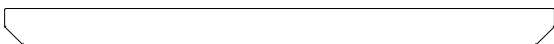
E1 | TOP JOIST - W4L12945
(2) | 1 3/8"x3 3/8"x82 1/4" (36x86x2091)



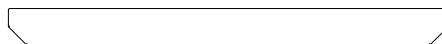
E2 | TOP JOIST - W4L12946
(2) | 1 3/8"x3 3/8"x72 1/8" (36x86x1832)



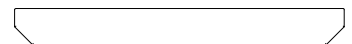
E3 | TOP JOIST - W4L12947
(2) | 1 3/8"x3 3/8"x61 7/8" (36x86x1572)



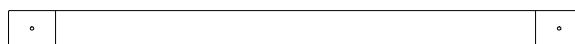
E4 | TOP JOIST - W4L12948
(2) | 1 3/8"x3 3/8"x51 5/8" (36x86x1310)



E5 | TOP JOIST - W4L12949
(2) | 1 3/8"x3 3/8"x41 1/4" (36x86x1048)



E6 | TOP JOIST - W4L13031
(2) | 1 3/8"x3 3/8"x31" (36x86x786)



H1 | LOWER SUPPORT - W4L13034
(8) | 1"x3 3/8"x53 7/8" (24x86x1368)



Wood Components (Not to Scale)



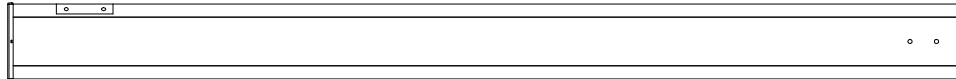
Q1 | LOWER SUPPORT - W4L12940
(4) | 1"x4 3/8"x81 1/4" (24x112x2065)



PT1 | POST - W2A02915
(1) | 7"x7"x89 1/2" (178x178x2274)



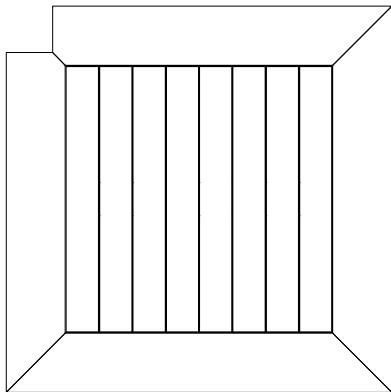
PT2 | POST - W2A02916
(1) | 7"x7"x89 1/2" (178x178x2274)



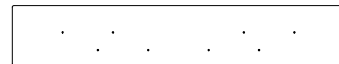
PT3 | POST - W2A02917
(1) | 7"x7"x89 1/2" (178x178x2274)



Wood Components (Not to Scale)



TT1 | TABLE TOP - W2A02918
(1) | 1 5/16"x30 1/8"x30 1/8" (34x765x765)



D7 | ARM REST - W4L13038
(2) | 1 3/8"x4 5/8"x26" (34x118x660)



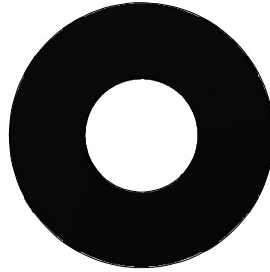
Hardware Components



H100756 | BOLT HEX BLK
(18) | 1/2x9 1/2



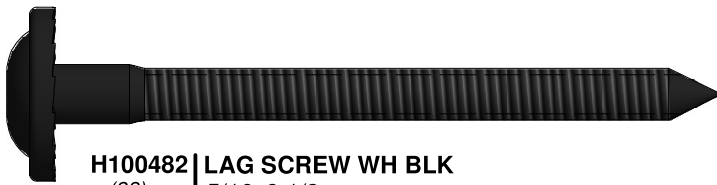
H100843 | LAG SCREW HEX BLK
(4) | 1/2x3



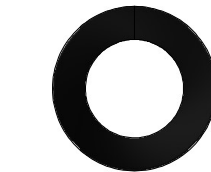
H100755 | WASHER FLAT BLK
(56) | 1/2



H100758 | LAG SCREW BLK
(18) | 1/2x2



H100482 | LAG SCREW WH BLK
(38) | 5/16x3 1/2



H100754 | WASHER SPLIT
(17) | 1/2



H100396 | BOLT WH BLK
(18) | 5/16x1/2



H100458 | LAG SCREW WH BLK
(4) | 5/16x2



H100468 | BOLT WH BLK
(4) | 5/16x1



H100471 | LAG SCREW WH BLK
(26) | 5/16x1 1/2



H100630 | WASHER FLAT BLK
(13) | 8x19



H100407 | BOLT WH BLK
(4) | 5/16x1 1/2



H100200 | SCREW PFH BLK
(17) | 8x1 1/2



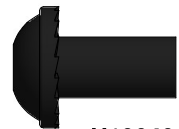
H100382 | SCREW PFH BLK
(26) | 8x1 3/4



H100400 | WASHER LOCK EXT BLK
(17) | 8x15



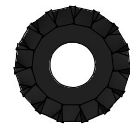
H100753 | NUT LOCK BLK
(18) | 1/2



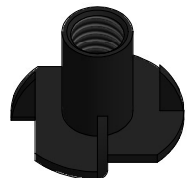
H100404 | NUT BARREL WH BLK
(18) | 1/4x5/8



H100202 | SCREW PWH BLK
(17) | 8x5/8



H100405 | WASHER LOCK EXT BLK
(17) | 6x15



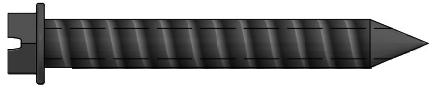
H100379 | T-NUT BLK
(4) | 5/16



H100797 | SCREW PWH BLK
(76) | 8x1



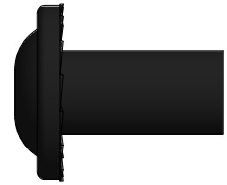
Hardware Components



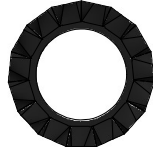
H100120 | SCREW CONCRETE ANCHOR
(13) | 1/4x2



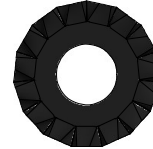
H100171 | BOLT WH BLK
(18) | 1/4x1



H100192 | NUT BARREL WH BLK
(22) | 5/16x7/8



H100199 | WASHER LOCK EXT BLK
(22) | 12x19



H100198 | WASHER LOCK EXT BLK
(44) | 8x19

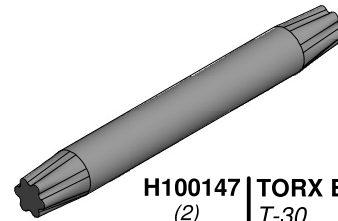


H100764 | SCREW SETTER
(1)

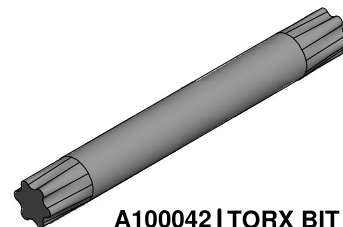


H100856 | DRILL BIT
(1) | 1/4" [6mm]

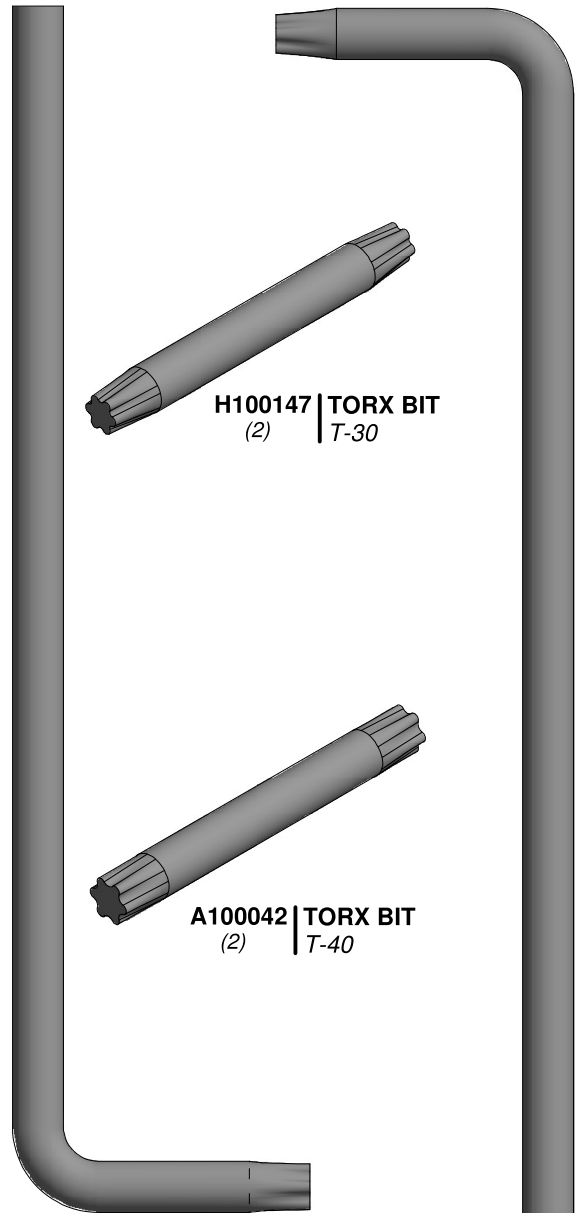
A100041 | TORX WRENCH
(2) | T-40



H100147 | TORX BIT
(2) | T-30



A100042 | TORX BIT
(2) | T-40



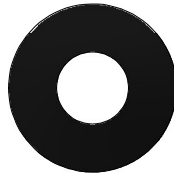
H100114 | TORX WRENCH
(2) | T-30



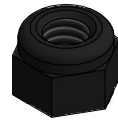
Hardware Components



H100712 | BOLT CARRIAGE BLK
(50) | 5/16x1 1/2



H100770 | WASHER FLAT
(52) | 5/16 BLK



H100479 | NUT LOCK BLK
(50) | 5/16



H100471 | LAG SCREW WH BLK
(11) | 5/16x1 1/2



H100171 | BOLT WH BLK
(38) | 1/4x1



H100460 | LAG SCREW WH BLK
(11) | 1/4x1



H100824 | SCREW PWH BLK
(11) | 8x3



H100392 | SCREW PWH BLK
(4) | 8x3/4



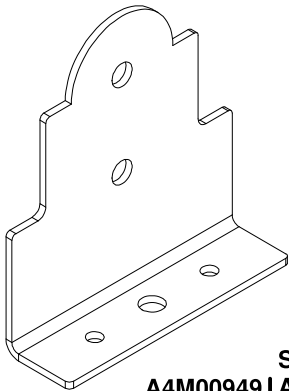
H100202 | SCREW PWH BLK
(4) | 8x5/8



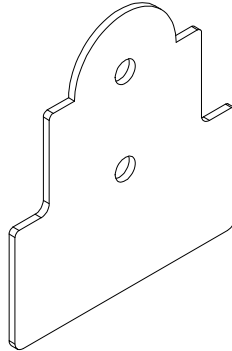
H100391 | SCREW PFH BLK
(7) | 8x2



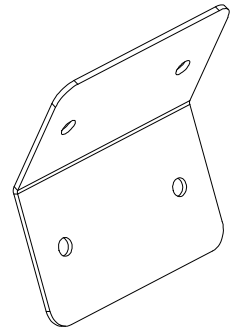
Accessory Components (Not to Scale)



A4M00949 (6) STEEL POST ANCHORING PLATE WITH FLANGE



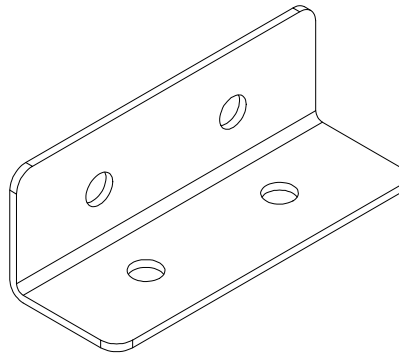
A4M00950 (2) STEEL POST PLATE



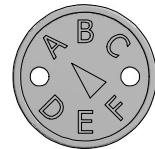
A4M01097 (2) BRACKET 135° BLK



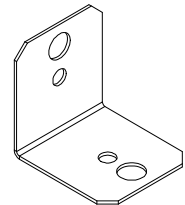
A4M01010 (1) LTP ID TAG (SMALL) WITHOUT AGES



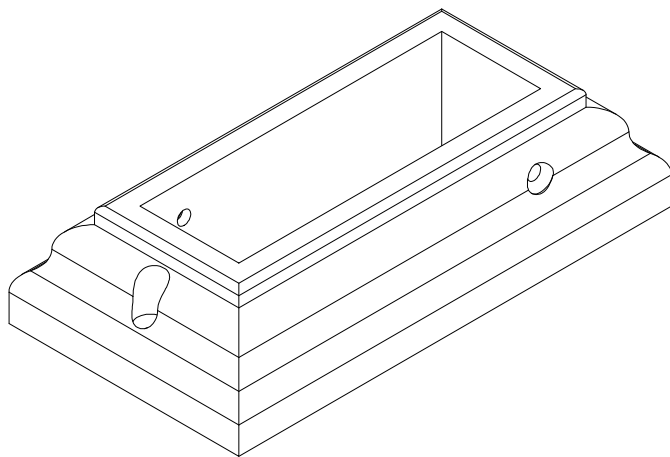
A4M01096 (10) L BRACKET 40x40x112 - BLK



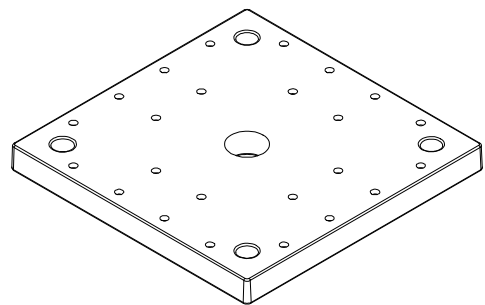
A100314 (1) "A" REVISION TAG



A4M00555 (8) 90° L-BRACKET - BLK



A6P00364 (6) MOUNTING BRACKET



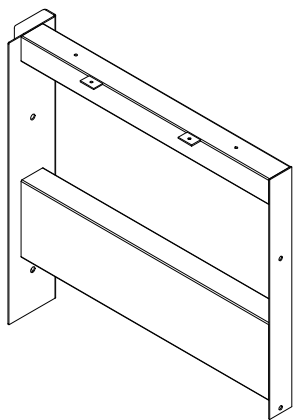
A6P00296 (3) 7x7 POST FOOT



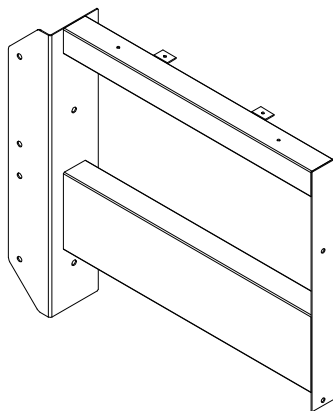
A4M00951 (6) GROUND STAKE 16 INCH



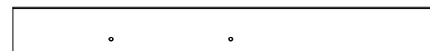
Accessory Components (Not to Scale)



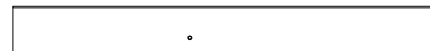
A4M01060 (1) | FRAME END - LEFT



A4M01066 (1) | FRAME END - RIGHT



A4M01063 (1) | POST



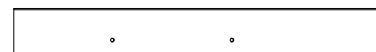
A4M01069 (1) | POST



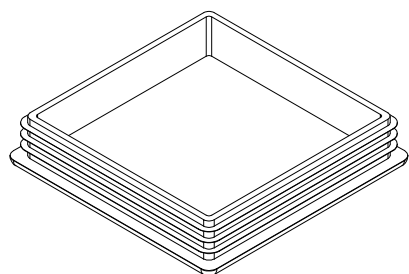
A4M01070 (1) | POST



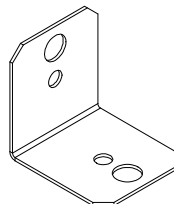
A4M01105 (1) | ARM POST - RIGHT



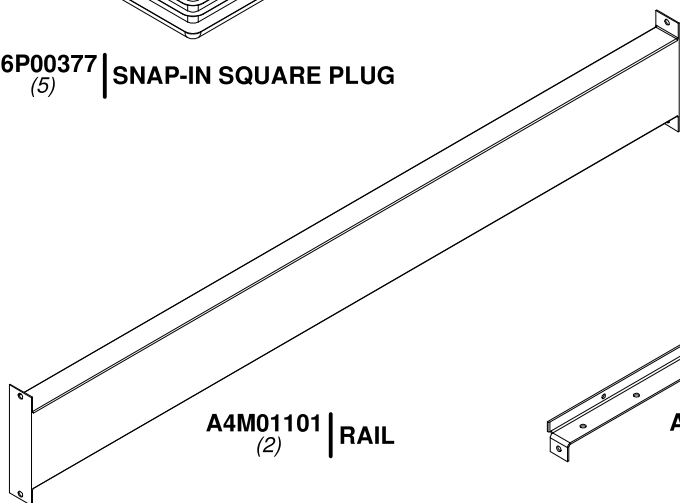
A4M01106 (1) | ARM POST - LEFT



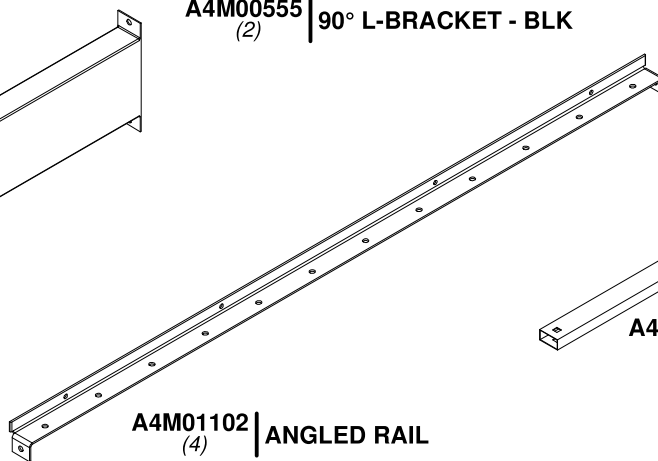
A6P00377 (5) | SNAP-IN SQUARE PLUG



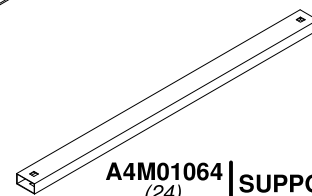
A4M00555 (2) | 90° L-BRACKET - BLK



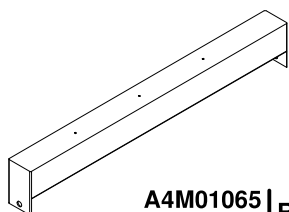
A4M01101 (2) | RAIL



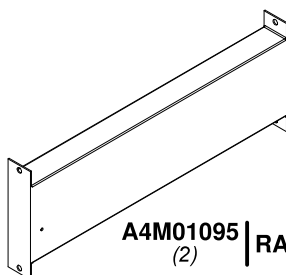
A4M01102 (4) | ANGLED RAIL



A4M01064 (24) | SUPPORT



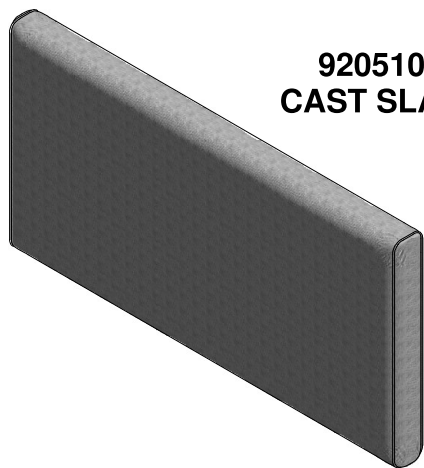
A4M01065 (2) | RAIL



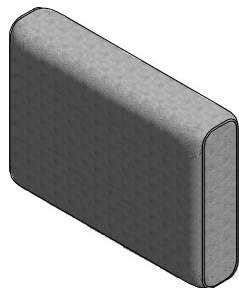
A4M01095 (2) | RAIL



Accessory Components (Not to Scale)



9205109
CAST SLATE



OR



9205116
SPECTRUM INDIGO



A6P00392 | SEAT CUSHION
(2)

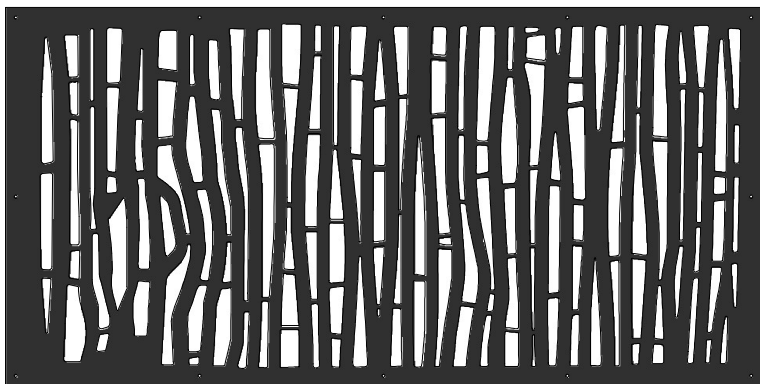
A6P00393 | BACK CUSHION
(4)

A6P00394 | SEAT CUSHION
(2)

A6P00395 | BACK CUSHION
(4)



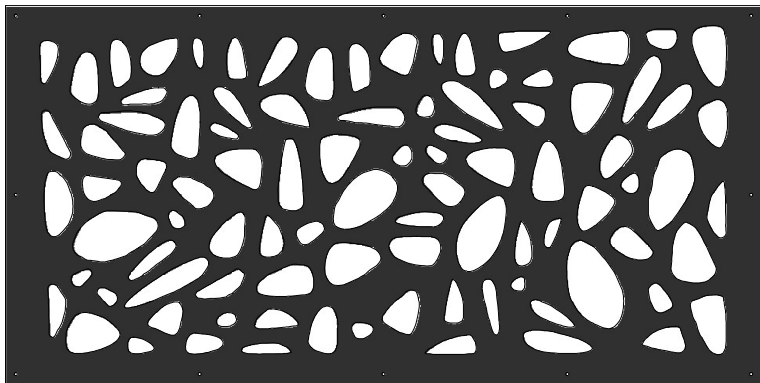
Accessory Components (Not to Scale)



A6P00396 | DECORATIVE BACK PANEL
(6)

OR

9205314
BAMBOO PATTERN



A6P00411 | DECORATIVE BACK PANEL
(6)

9205321
PEBBLE PATTERN

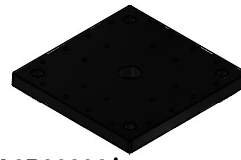


CABANA ASSEMBLY

STEP 1



PT3 | POST - W2A02917
(1) | 7"x7"x89 1/2" (178x178x2274)



A6P00296 | 7x7 POST FOOT
(1)



A4M00949 | STEEL POST ANCHORING PLATE WITH FLANGE
(2)



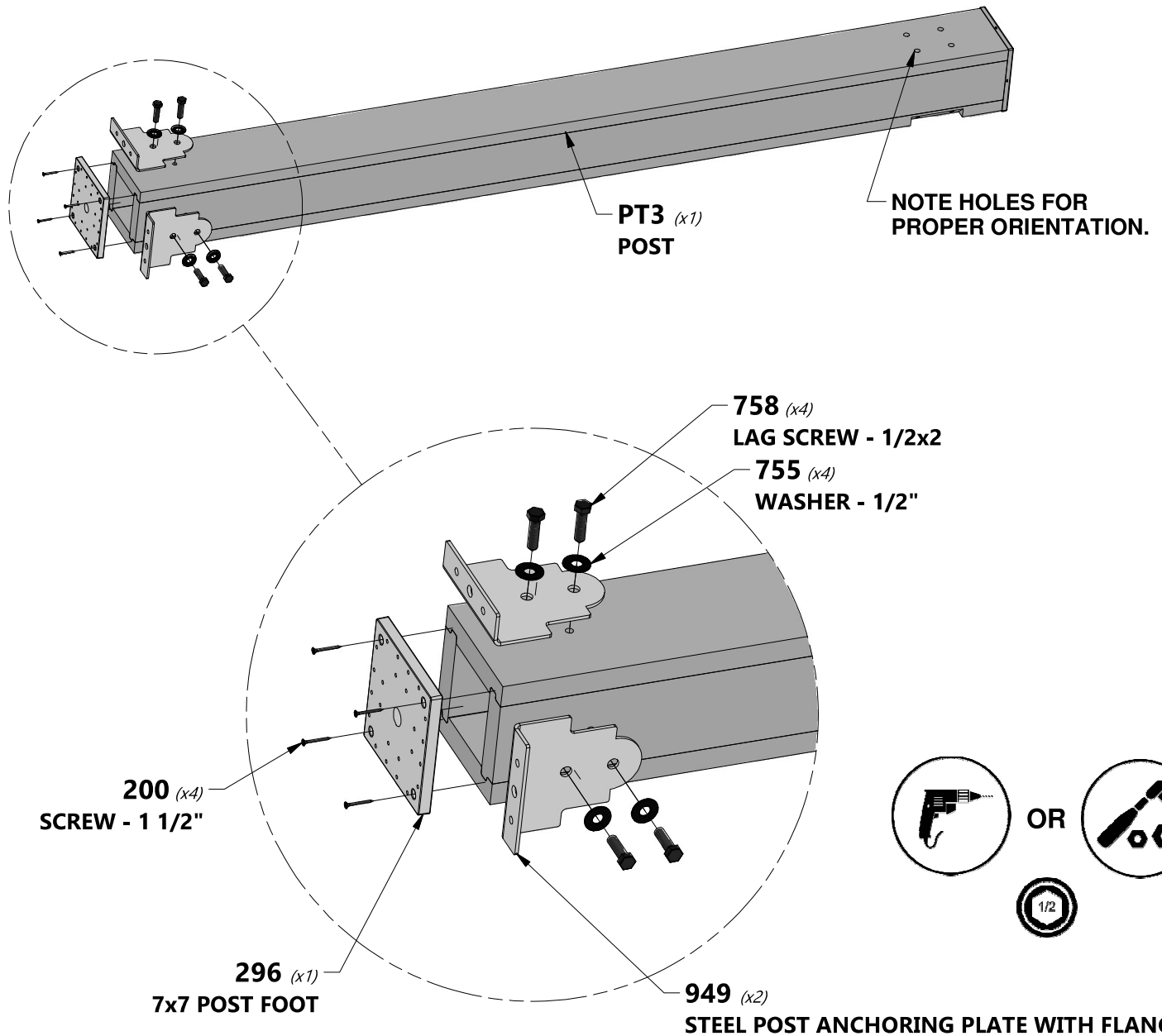
H100758 | LAG SCREW BLK
(4) | 1/2x2



H100200 | SCREW PFH BLK
(4) | 8x1 1/2



H100755 | WASHER FLAT BLK
(4) | 1/2



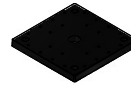


CABANA ASSEMBLY

STEP 2



PT2 | POST - W2A02916
(1) | 7"x7"x89 1/2" (178x178x2274)



A100314 | "A" REVISION TAG
(1)



A4M00949 | STEEL POST ANCHORING PLATE WITH FLANGE
(2)

A6P00296 | 7x7 POST FOOT
(1)

A4M00950 | STEEL POST PLATE
(2)



H100758 | LAG SCREW BLK
(8) | 1/2x2



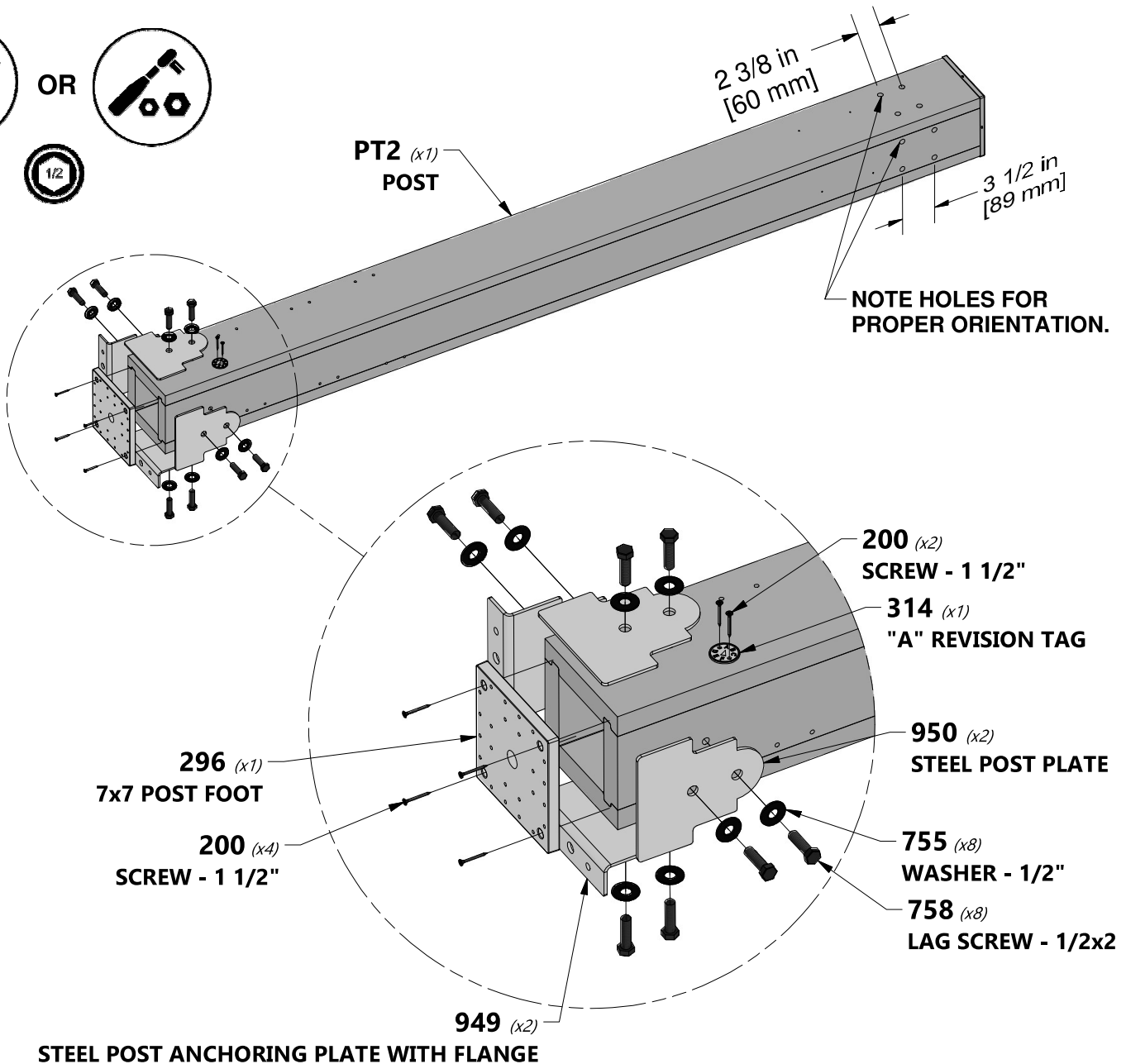
H100200 | SCREW PFH BLK
(6) | 8x1 1/2



H100755 | WASHER FLAT BLK
(8) | 1/2



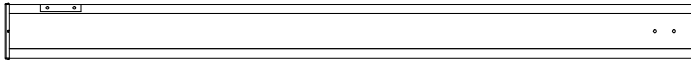
OR





CABANA ASSEMBLY

STEP 3



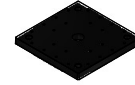
PT1 | POST - W2A02915
(1) | 7"x7"x89 1/2" (178x178x2274)



A4M01010 | LTP ID TAG
(1) | (SMALL)
WITHOUT AGES



A4M00949 | STEEL POST ANCHORING
(2) | PLATE WITH
FLANGE



A6P00296 | 7x7 POST FOOT
(1)



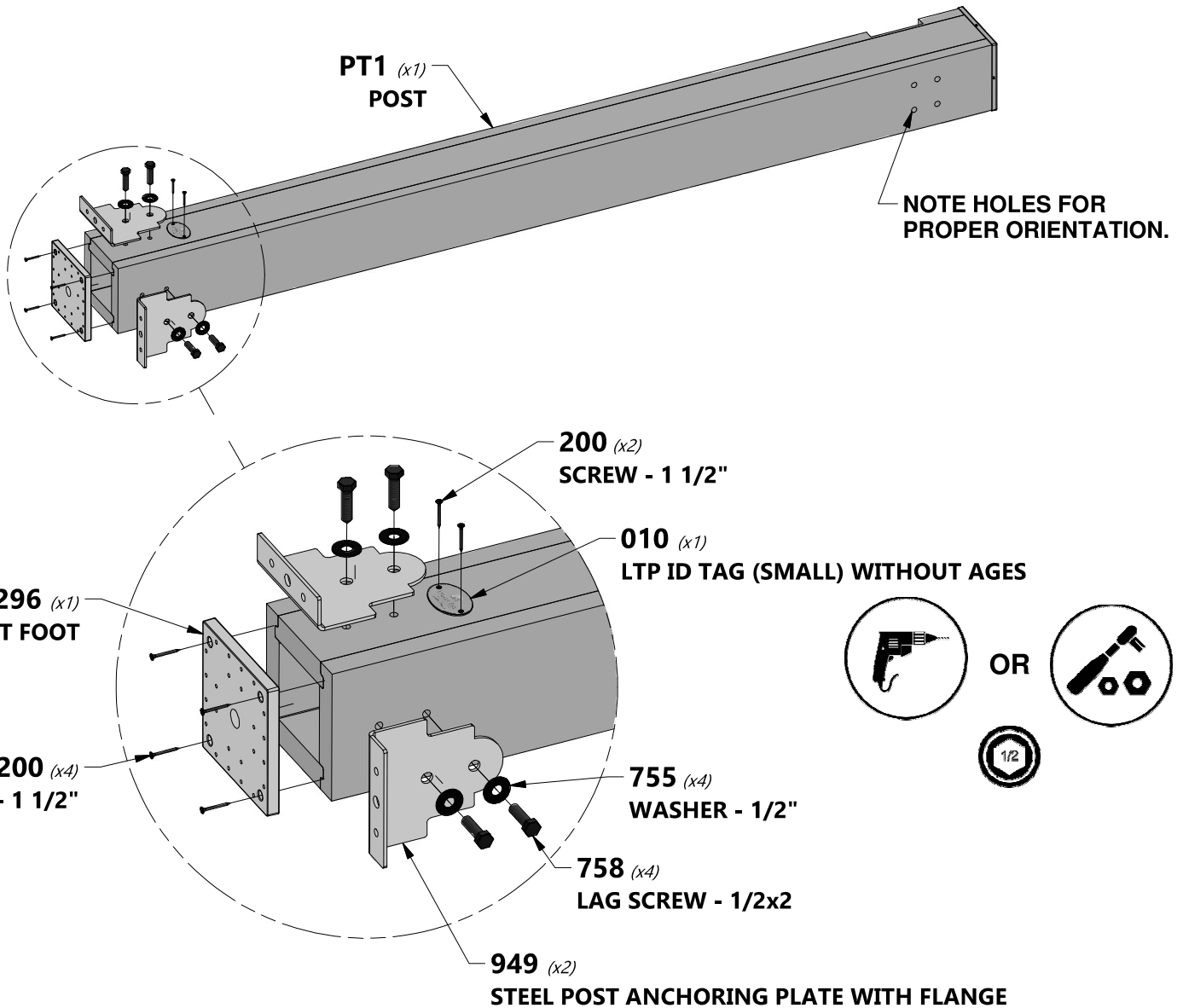
H100758 | LAG SCREW BLK
(4) | 1/2x2



H100200 | SCREW PFH BLK
(6) | 8x1 1/2



H100755 | WASHER FLAT BLK
(4) | 1/2





CABANA ASSEMBLY

STEP 4



D2 | BEAM - W4L12942
(1) | 1 3/8"x5 1/4"x111 1/4" (36x134x2826)



H100756 | BOLT HEX BLK
(8) | 1/2"x9 1/2"



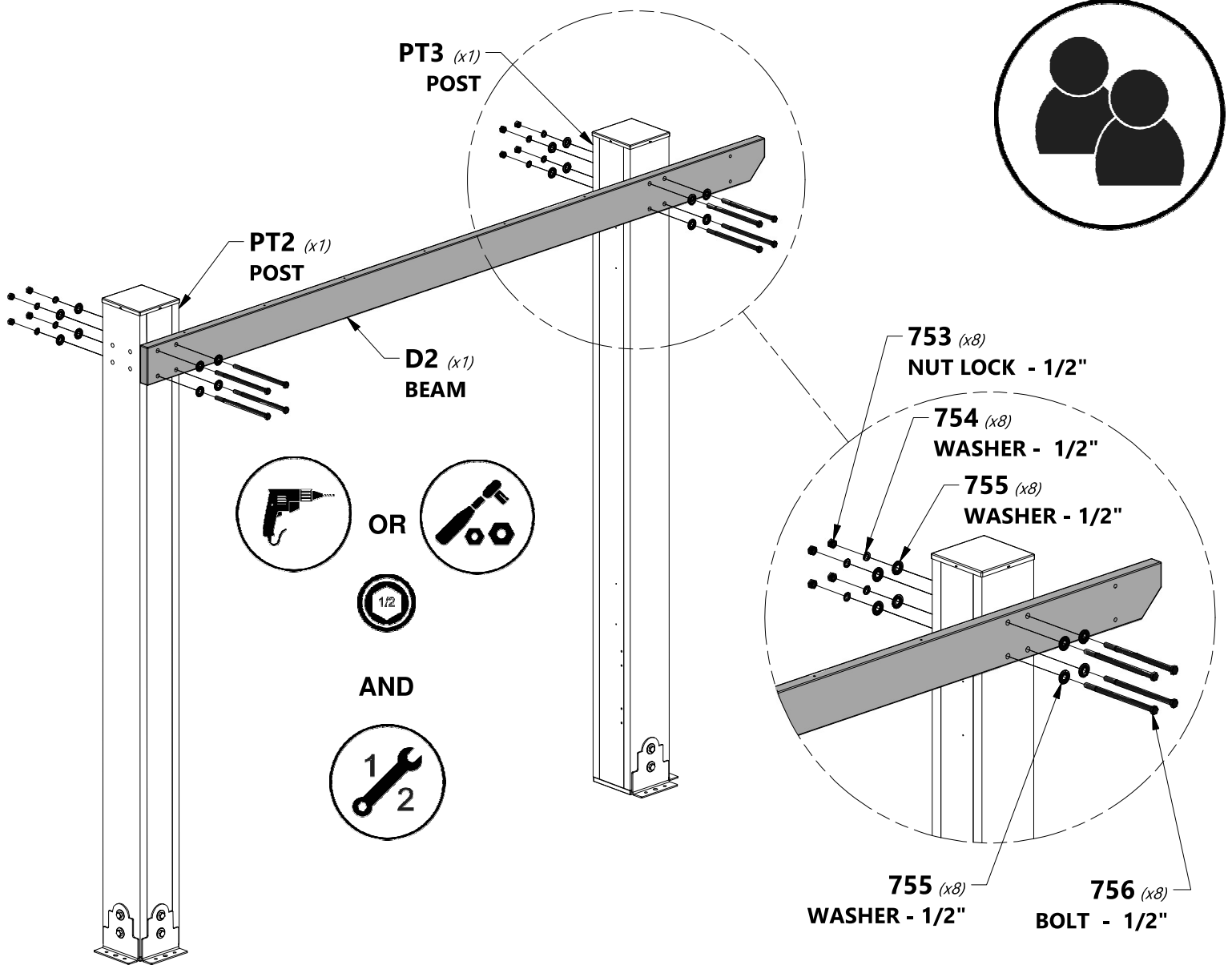
H100755 | WASHER FLAT BLK
(16) | 1/2"



H100754 | WASHER SPLIT
(8) | 1/2"



H100753 | NUT LOCK BLK
(8) | 1/2"





CABANA ASSEMBLY

STEP 5



D1 | BEAM - W4L12941
(1) | 1 3/8"x5 1/4"x111 1/4" (36x134x2826)



H100756 | BOLT HEX BLK
(8) | 1/2x9 1/2



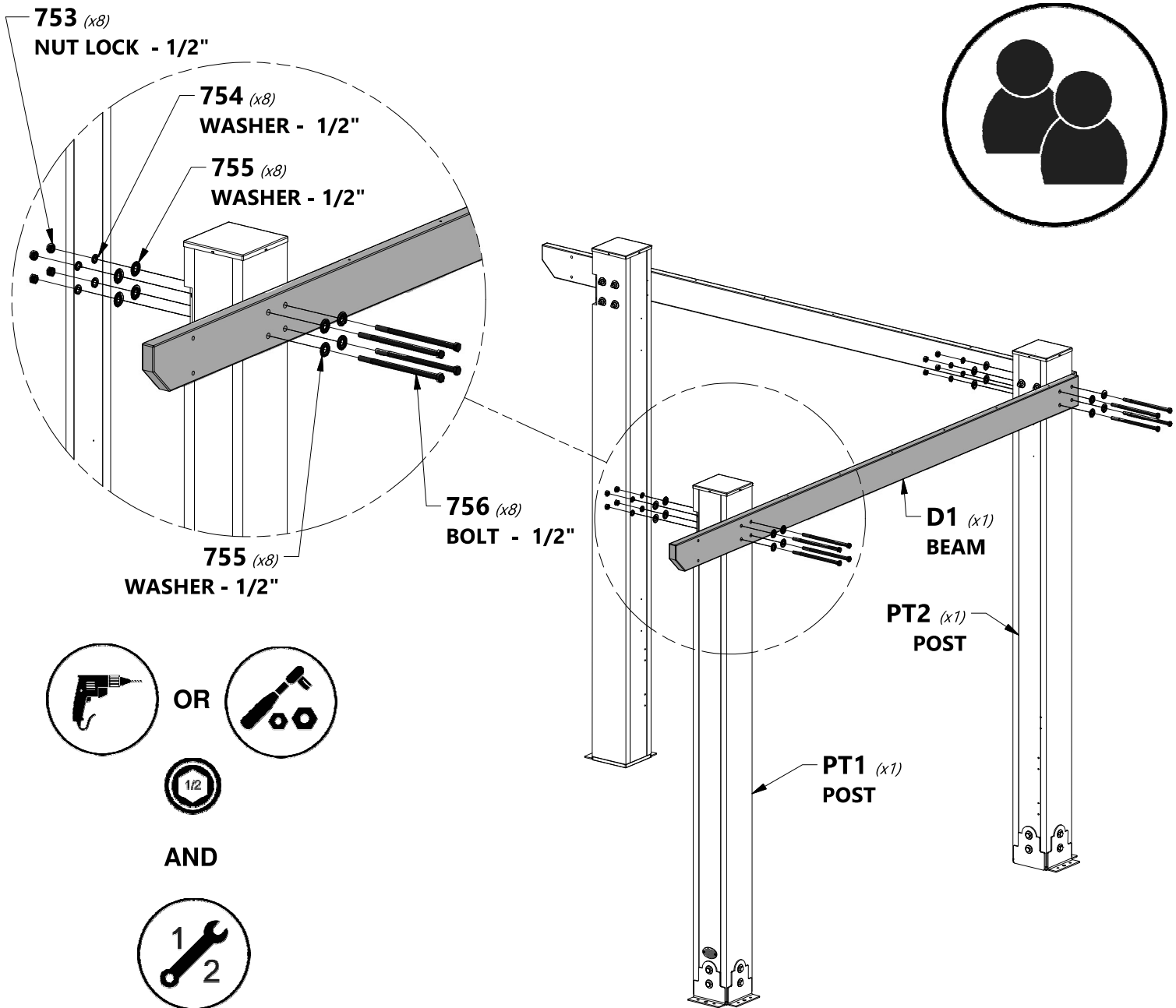
H100755 | WASHER FLAT BLK
(16) | 1/2



H100754 | WASHER SPLIT
(8) | 1/2



H100753 | NUT LOCK BLK
(8) | 1/2



OR



AND





CABANA ASSEMBLY

STEP 6



D4 | BEAM - W4L12944
(1) | 1 3/8"x5 1/4"x146 1/4" (36x134x3714)

A4M01097 | BRACKET 135° BLK
(2)



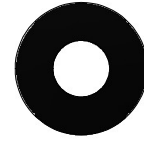
A4M00555 | 90° L-BRACKET - BLK
(4)



H100202 | SCREW PWH BLK
(4) | 8x5/8



H100199 | WASHER LOCK EXT BLK
(4) | 12x19



H100755 | WASHER FLAT BLK
(4) | 1/2



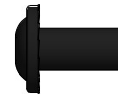
H100843 | LAG SCREW HEX BLK
(4) | 1/2x3



H100468 | BOLT WH BLK
(4) | 5/16x1



H100471 | LAG SCREW WH BLK
(4) | 5/16x1 1/2



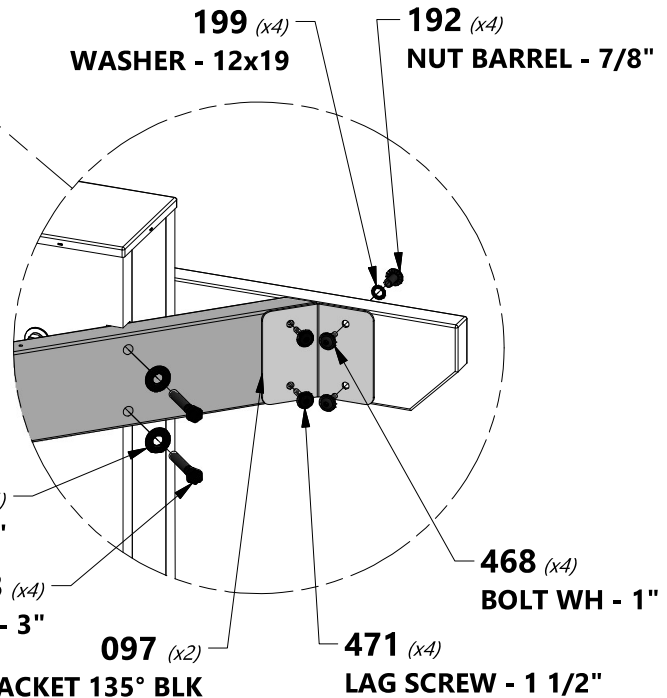
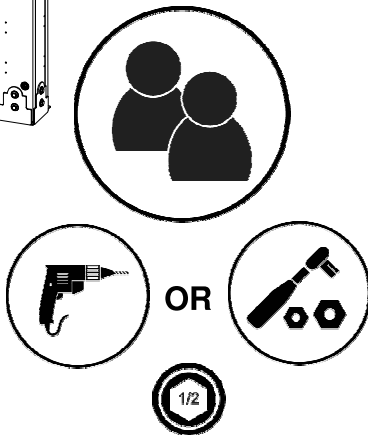
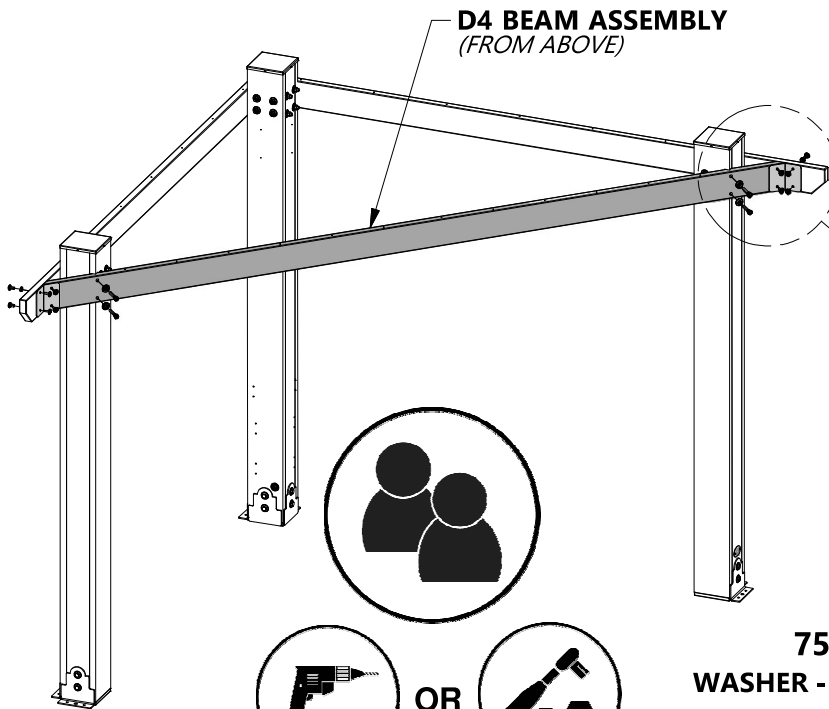
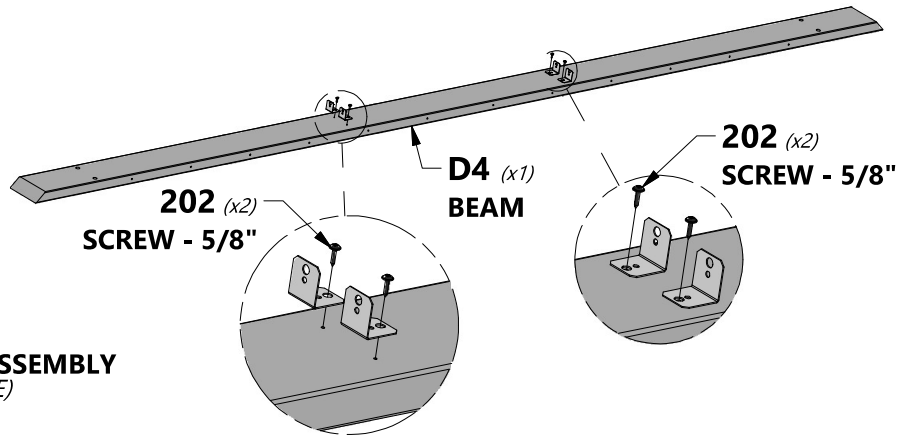
H100192 | NUT BARREL WH BLK
(4) | 5/16x7/8



NOTE:

1. ASSEMBLE L-BRACKETS TO 'D4' BEAM FIRST.

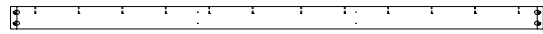
2. ASSEMBLE BEAM TO POSTS AND THEN ATTACH LARGE L-BRACKETS LAST.





CABANA ASSEMBLY

STEP 7



D3 BEAM - W4L12943
(1) | 1 3/8"x5 1/4"x124 7/8" (36x134x3172)



A4M00555 90° L-BRACKET - BLK
(4)



H100458 LAG SCREW WH BLK
(4) | 5/16x2



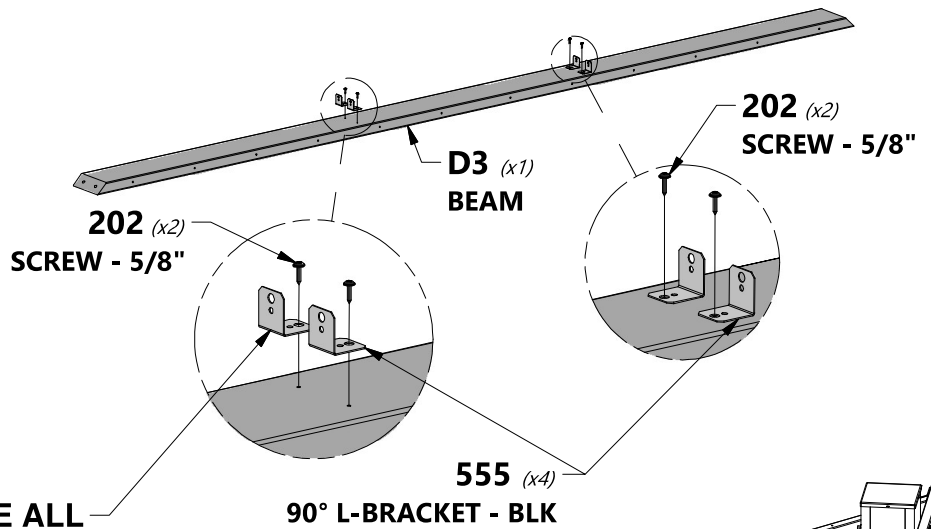
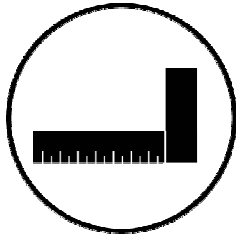
H100198 WASHER LOCK EXT BLK
(4) | 8x19



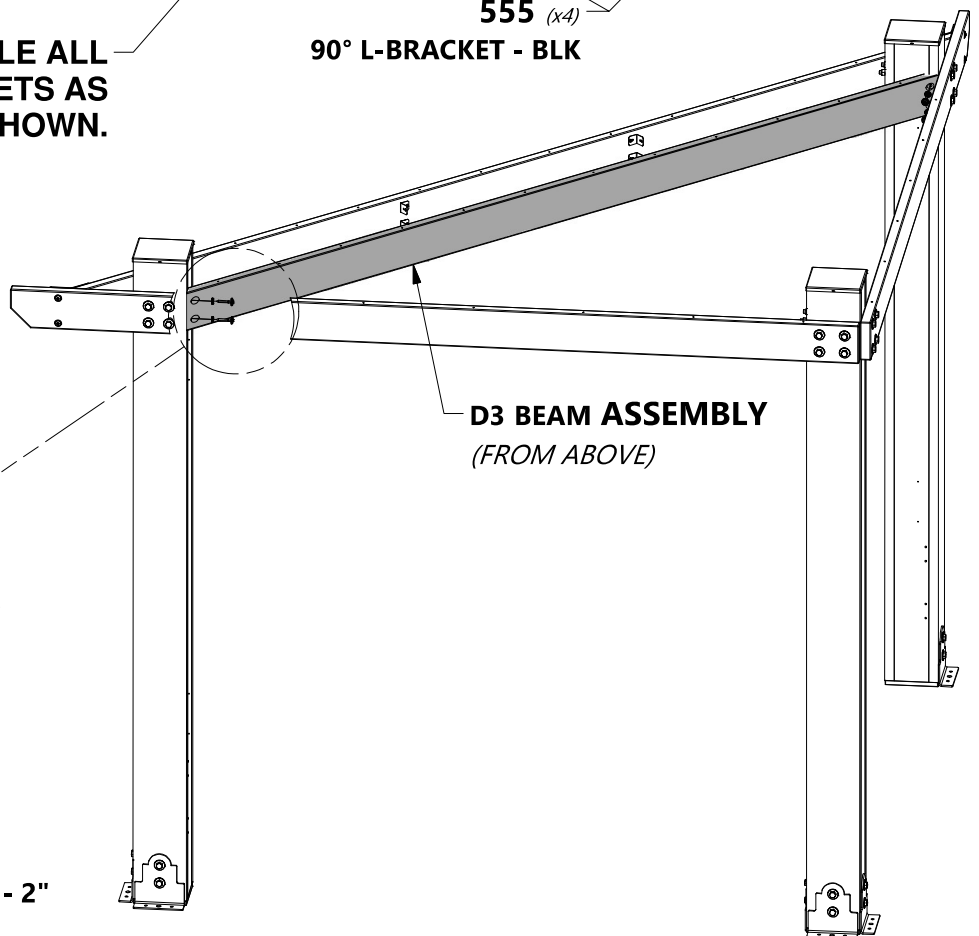
H100202 SCREW PWH BLK
(4) | 8x5/8



NOTE:
ASSEMBLE L-BRACKETS
TO 'D3' BEAM FIRST.



**ASSEMBLE ALL
L-BRACKETS AS
SHOWN.**





CABANA ASSEMBLY

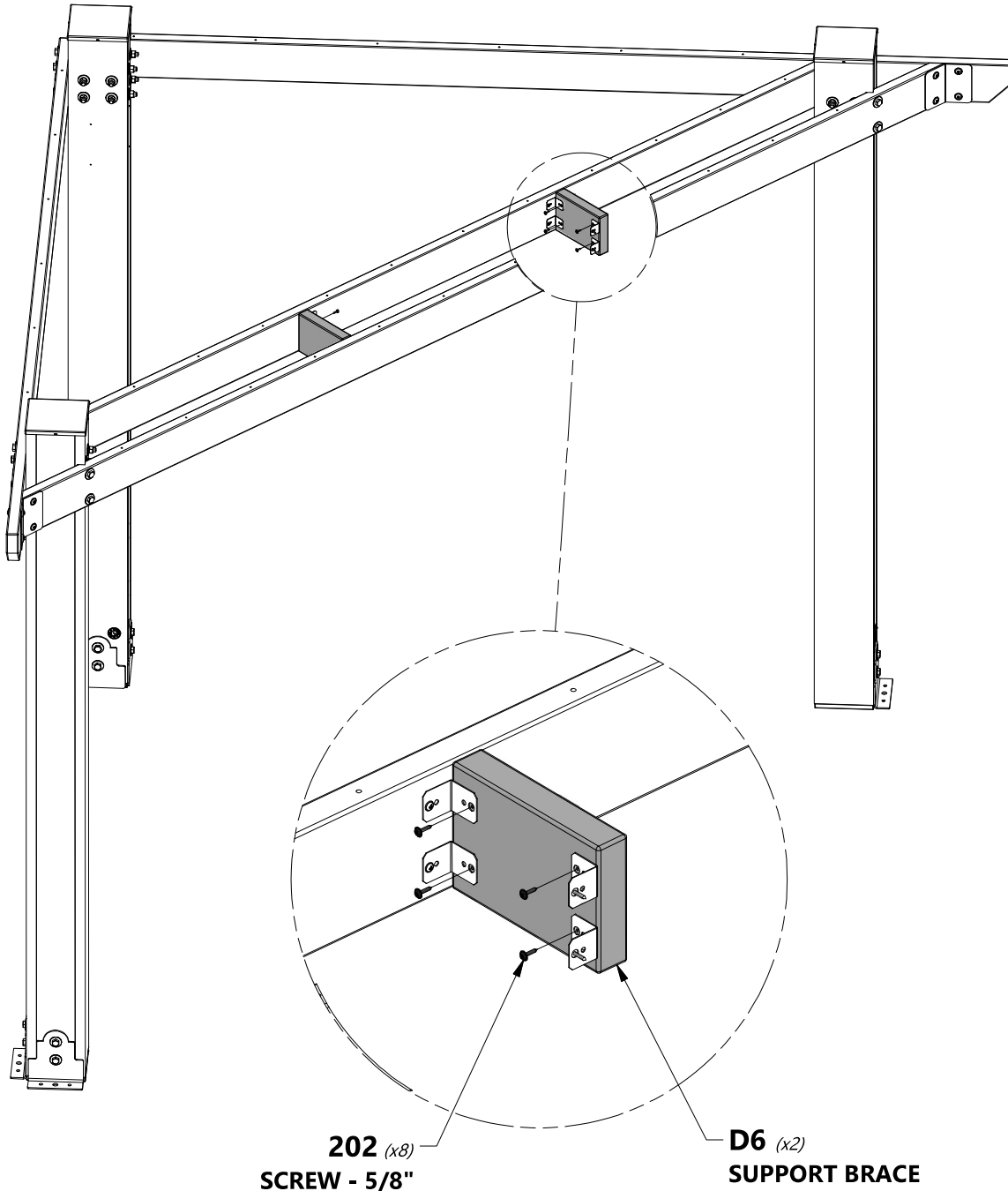
STEP 8



D6 | **SUPPORT BRACE - W4L13037**
(2) | 1 3/8"x5 1/4"x7 7/8" (36x134x199)



H100202 | **SCREW PWH BLK**
(8) | 8x5/8





CABANA ASSEMBLY

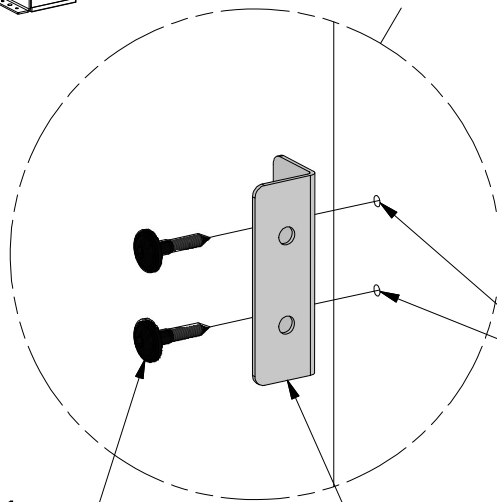
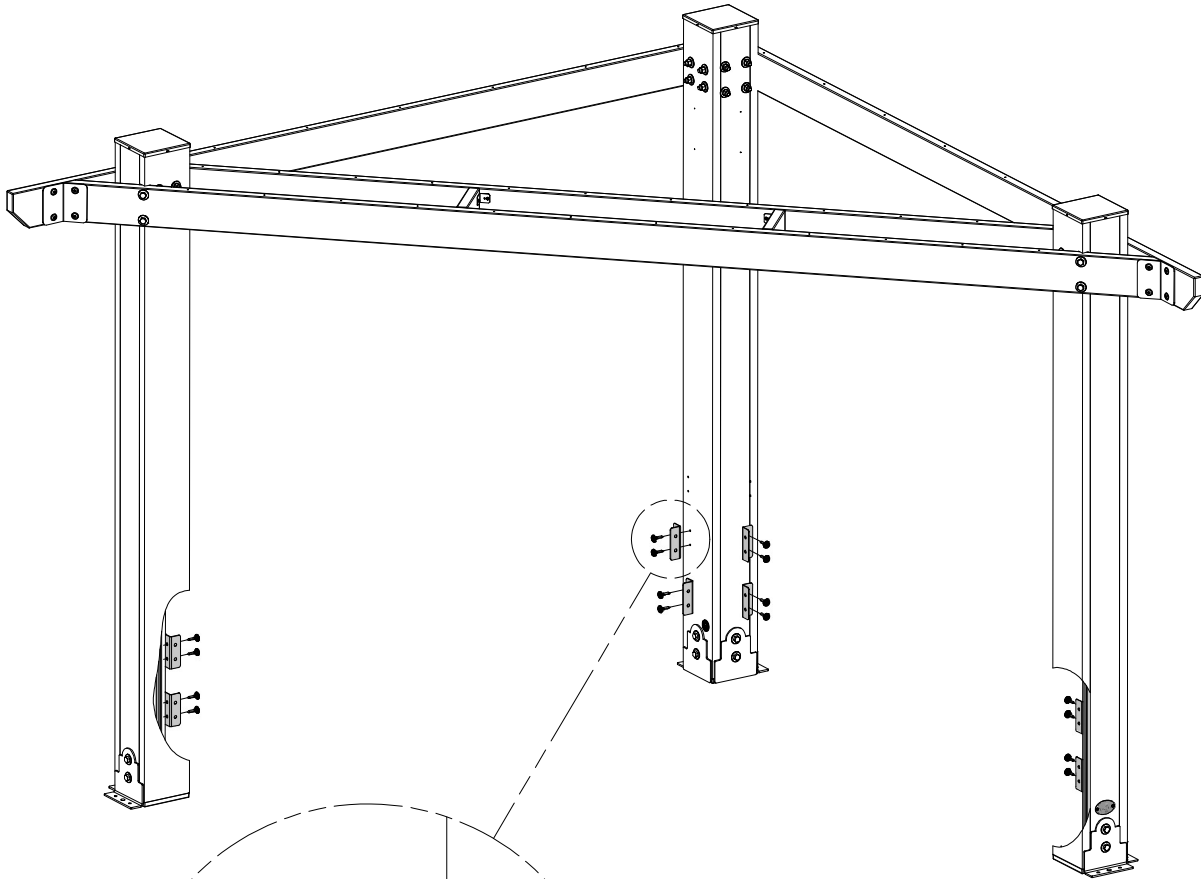
STEP 9



A4M01096 | L BRACKET
(8) | 40x40x112 - BLK



H100471 | LAG SCREW WH BLK
(16) | 5/16x1 1/2



LOCATE PRE-DRILLED HOLES
IN POSTS TO ASSEMBLE
L-BRACKETS PROPERLY.

471 (x16)
LAG SCREW - 1 1/2"

619 (x8)
L BRACKET 40x40x112 - BLK



CABANA ASSEMBLY

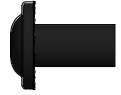
STEP 10



Q1 | LOWER SUPPORT - W4L12940
(4) | 1"x4 3/8"x81 1/4" (24x112x2065)



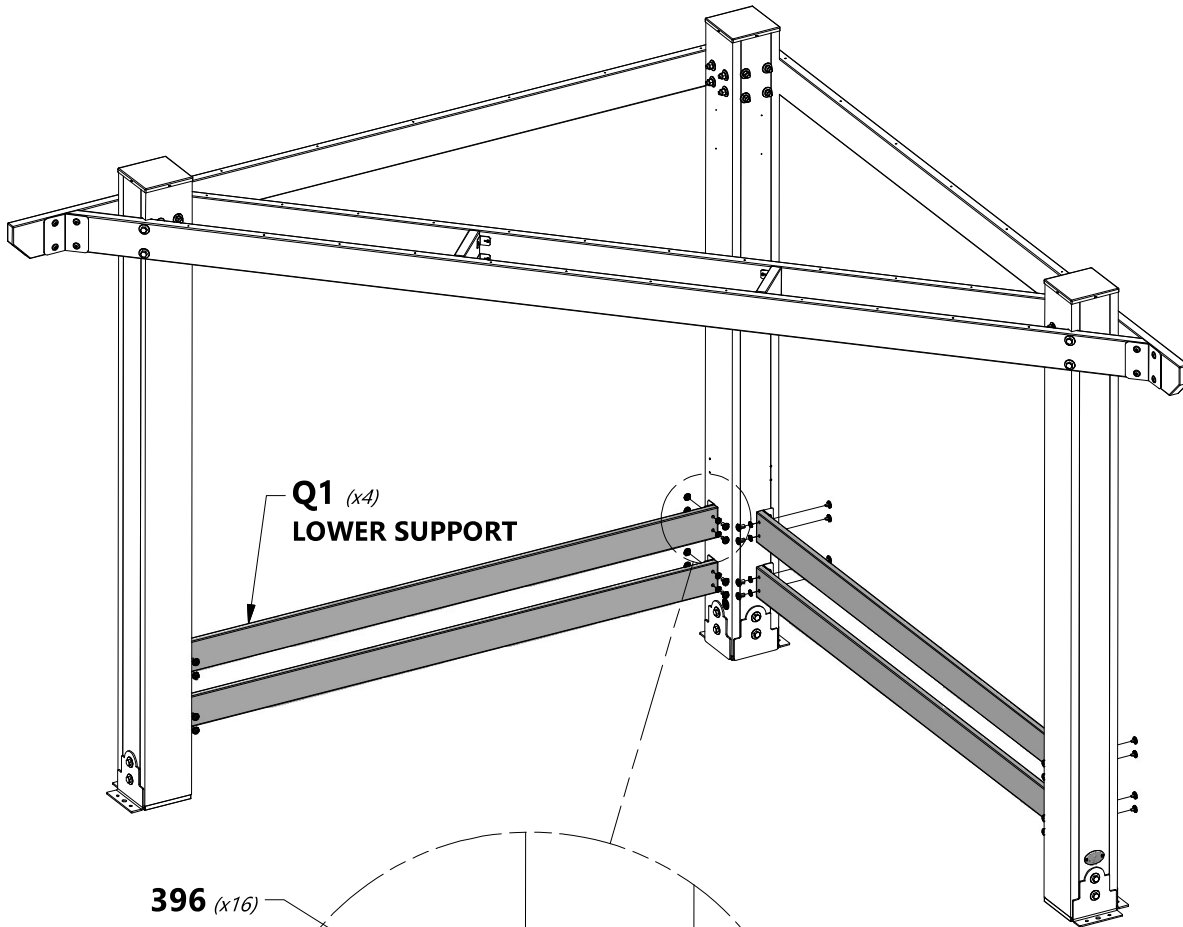
H100396 | BOLT WH BLK
(16) | 5/16x1/2



H100192 | NUT BARREL WH BLK
(16) | 5/16x7/8



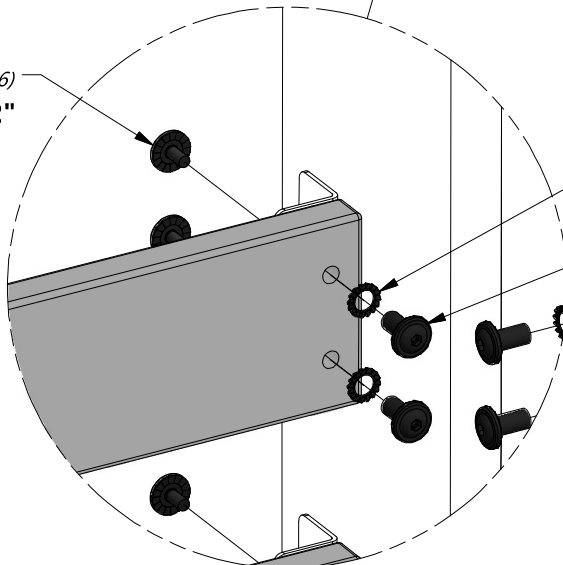
H100199 | WASHER LOCK EXT BLK
(16) | 12x19



Q1 (x4)
LOWER SUPPORT

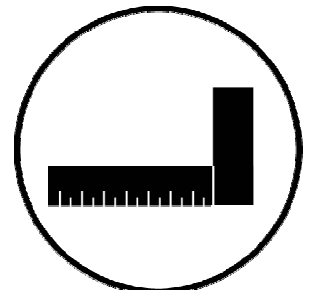


396 (x16)
BOLT - 1/2"



199 (x16)
WASHER - 12x19

192 (x16)
NUT BARREL - 7/8"



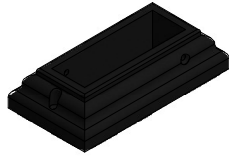


CABANA ASSEMBLY

STEP 11



A4M01096 | L BRACKET
(2) | 40x40x112 - BLK



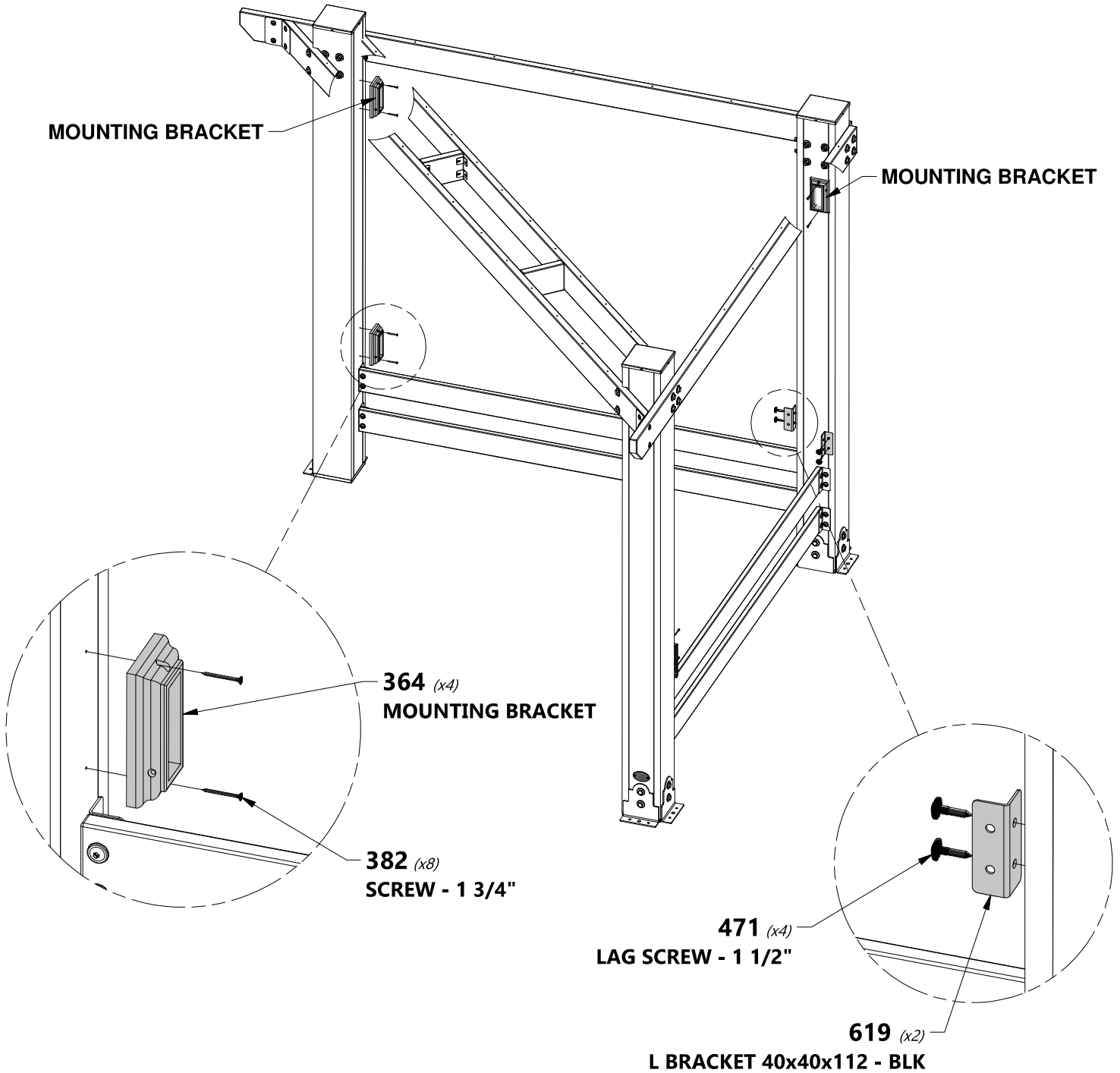
A6P00364 | MOUNTING BRACKET
(4)



H100471 | LAG SCREW WH BLK
(4) | 5/16x1 1/2



H100382 | SCREW PFH BLK
(8) | 8x1 3/4





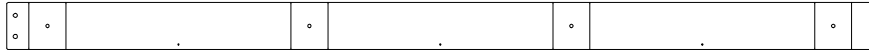
CABANA ASSEMBLY

STEP 12

NOTE HOLES LOCATED TOWARD TOP OF BOARD.



AN1 | LOWER SUPPORT - W4L13032
(1) | 1 3/8"x4 3/8"x81 1/4" (36x112x2065)



AN3 | LOWER SUPPORT - W4L13070
(1) | 1 3/8"x4 3/8"x81 1/4" (36x112x2065)



H100407 | BOLT WH BLK
(4) | 5/16x1 1/2



H100379 | T-NUT BLK
(4) | 5/16

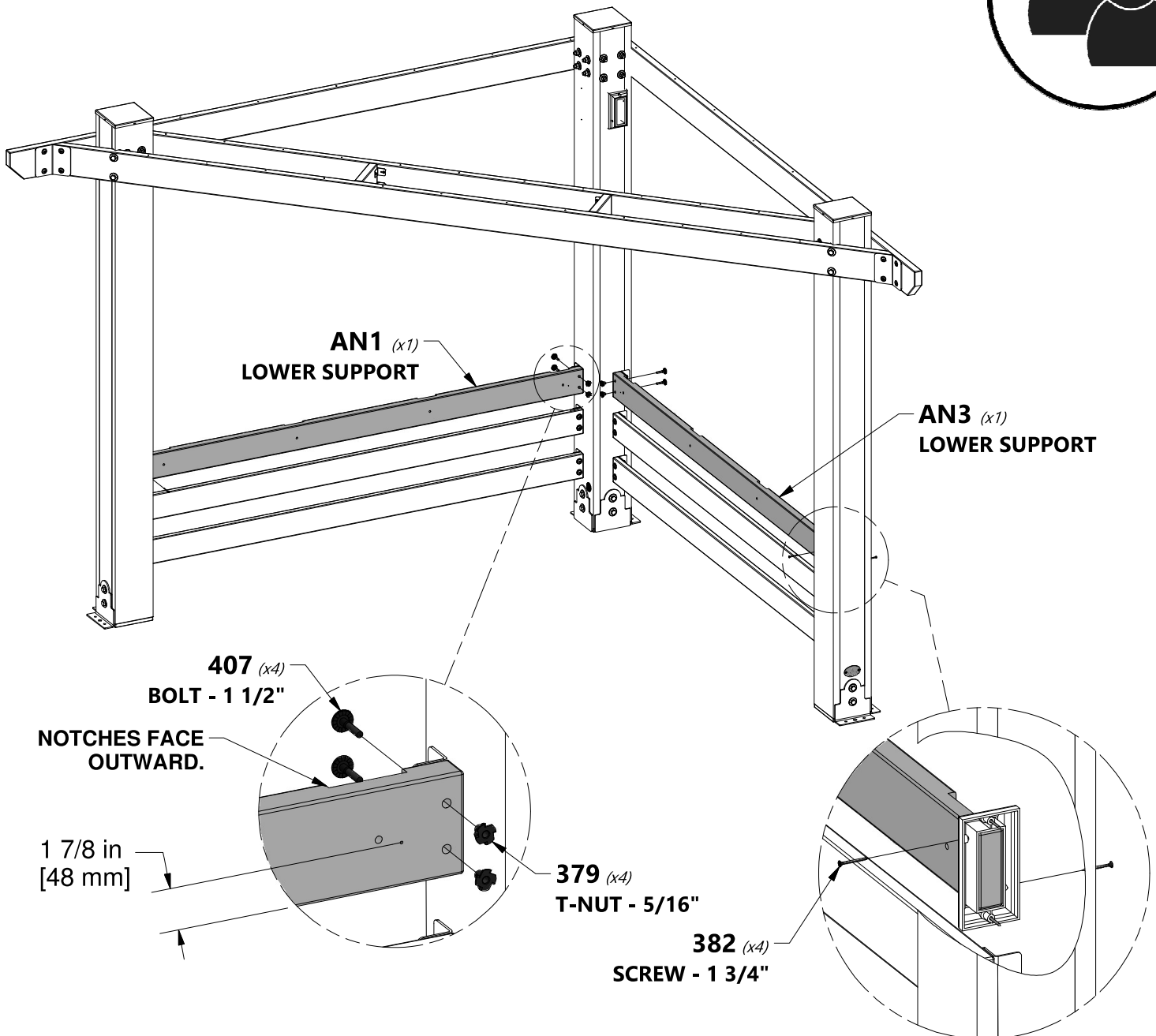


H100382 | SCREW PFH BLK
(4) | 8x1 3/4



NOTE:

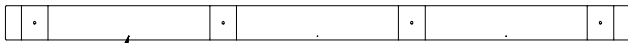
INSTALL T-NUTS BEFORE ASSEMBLY OF BOARDS.





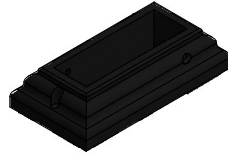
CABANA ASSEMBLY

STEP 13



AN2 | TOP SUPPORT - W4L13069
(2) | 1 3/8"x4 3/8"x81 1/4" (36x112x2065)

NOTE HOLES LOCATED TOWARD BOTTOM OF BOARD.



A6P00364 | MOUNTING BRACKET
(2)



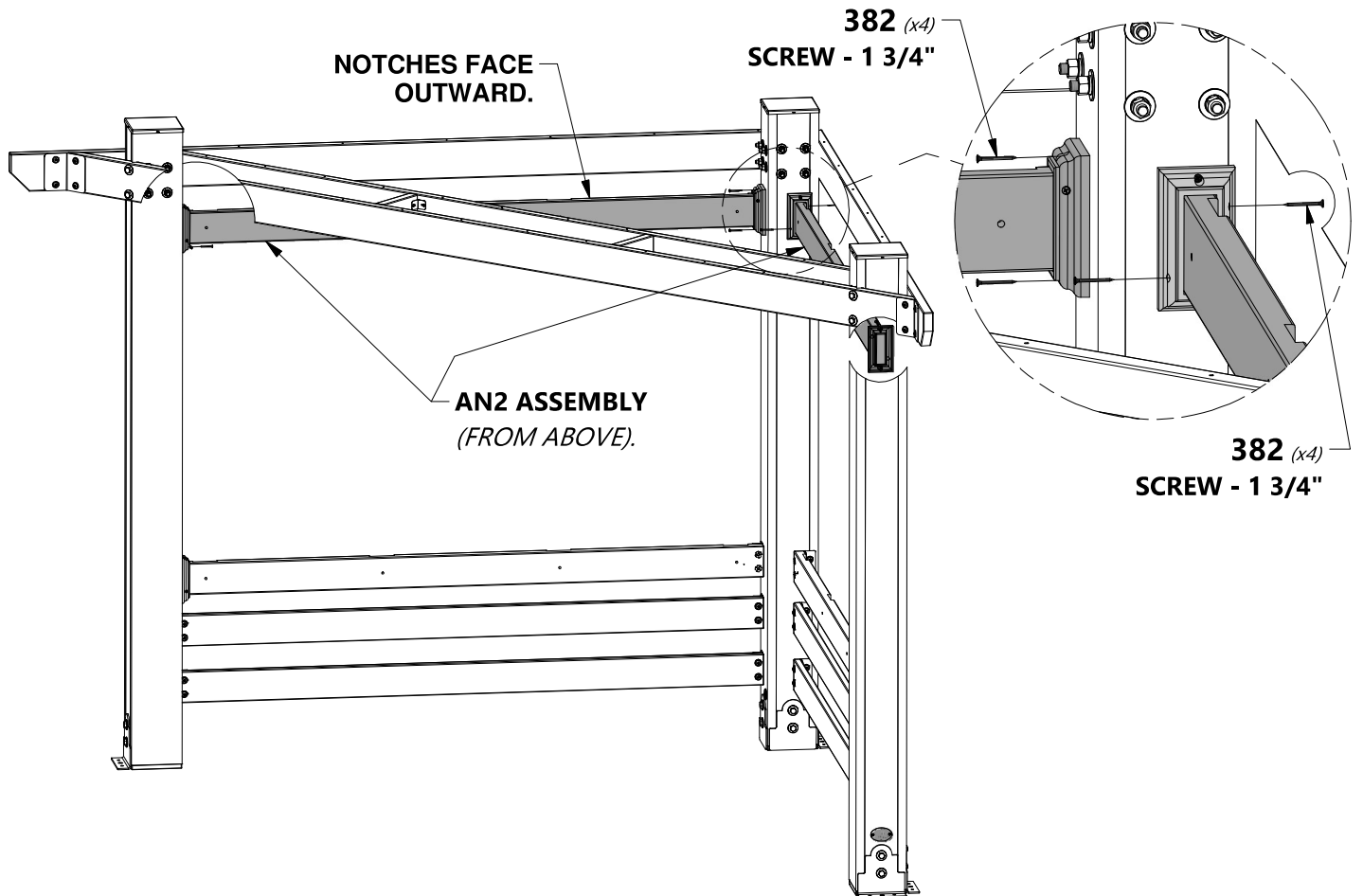
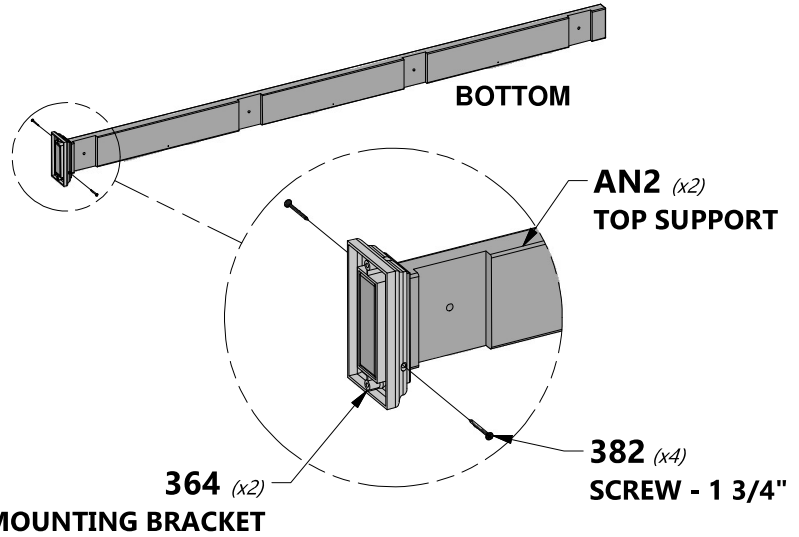
H100382 | SCREW PFH BLK
(12) | 8x1 3/4



NOTE:

1. SLIDE 'AN2' BOARD INTO MOUNTING BRACKET AND FASTEN USING HARDWARE PROVIDED TO CREATE SUBASSEMBLY (x2).

2. LOCATE PREVIOUSLY ASSEMBLED MOUNTING BRACKETS ON CABANA. INSERT 'AN2' SUBASSEMBLY INTO BRACKET AND SECURE USING HARDWARE PROVIDED (x2).





CABANA ASSEMBLY

STEP 14



H1 | LOWER SUPPORT - W4L13034
(8) | 1"x3 3/8"x53 7/8" (24x86x1368)



H100171 | BOLT WH BLK
(16) | 1/4x1



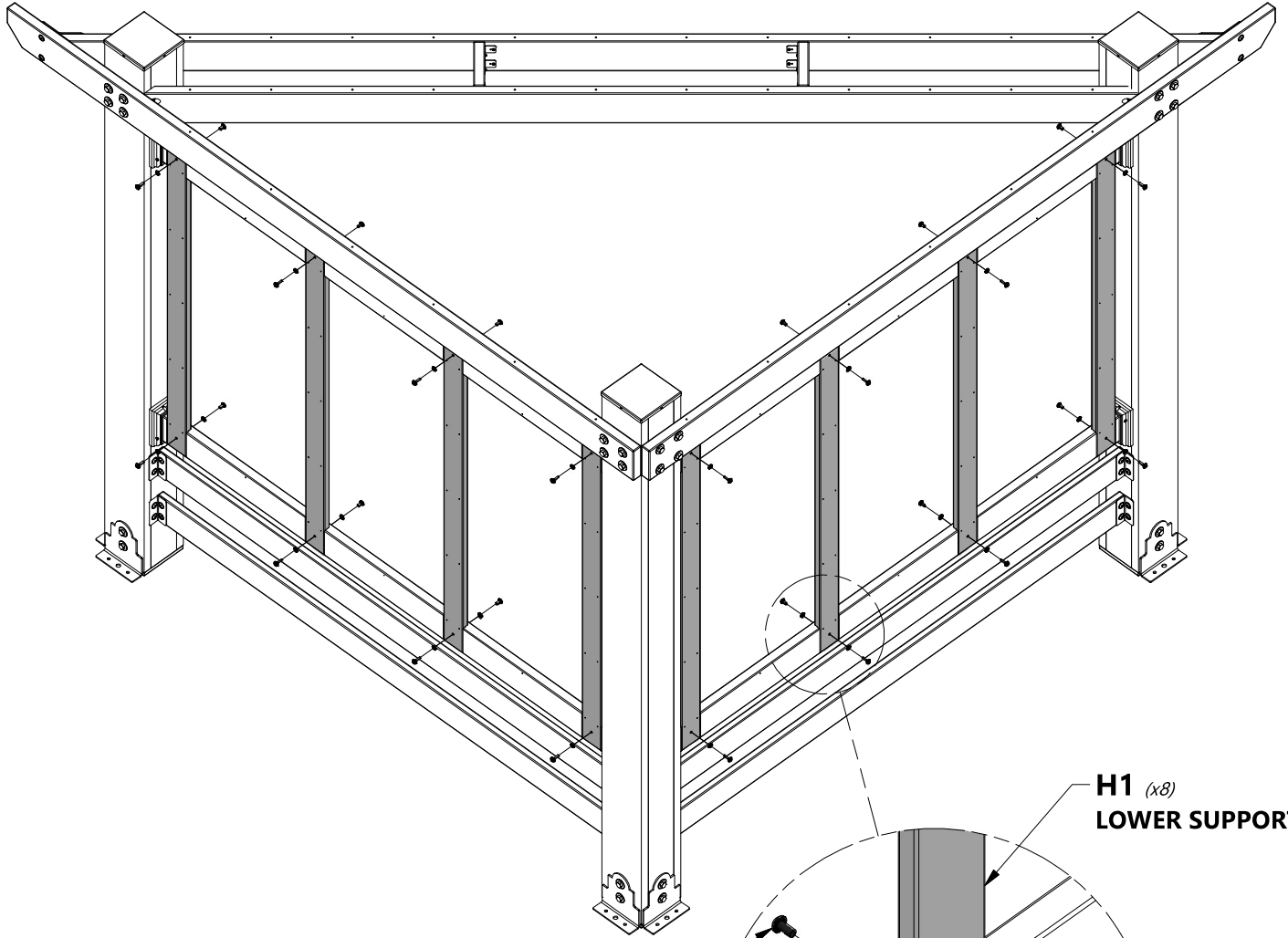
H100405 | WASHER LOCK EXT BLK
(16) | 6x15



H100400 | WASHER LOCK EXT BLK
(16) | 8x15



H100404 | NUT BARREL WH BLK
(16) | 1/4x5/8



H1 (x8)
LOWER SUPPORT

404 (x16)
NUT BARREL - 5/8"

400 (x16)
WASHER - 8x15

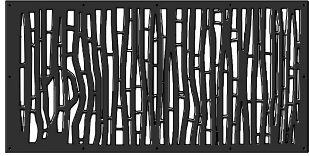
405 (x16)
WASHER - 6x15

171 (x16)
BOLT - 1"



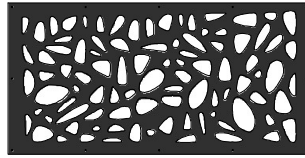
CABANA ASSEMBLY

STEP 15



A6P00396
(6) | DECORATIVE BACK PANEL

OR



A6P00411
(6) | DECORATIVE BACK PANEL



H100797 | SCREW PWH BLK
(72) 8x1

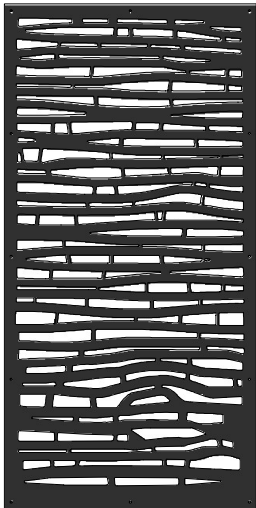


NOTE:

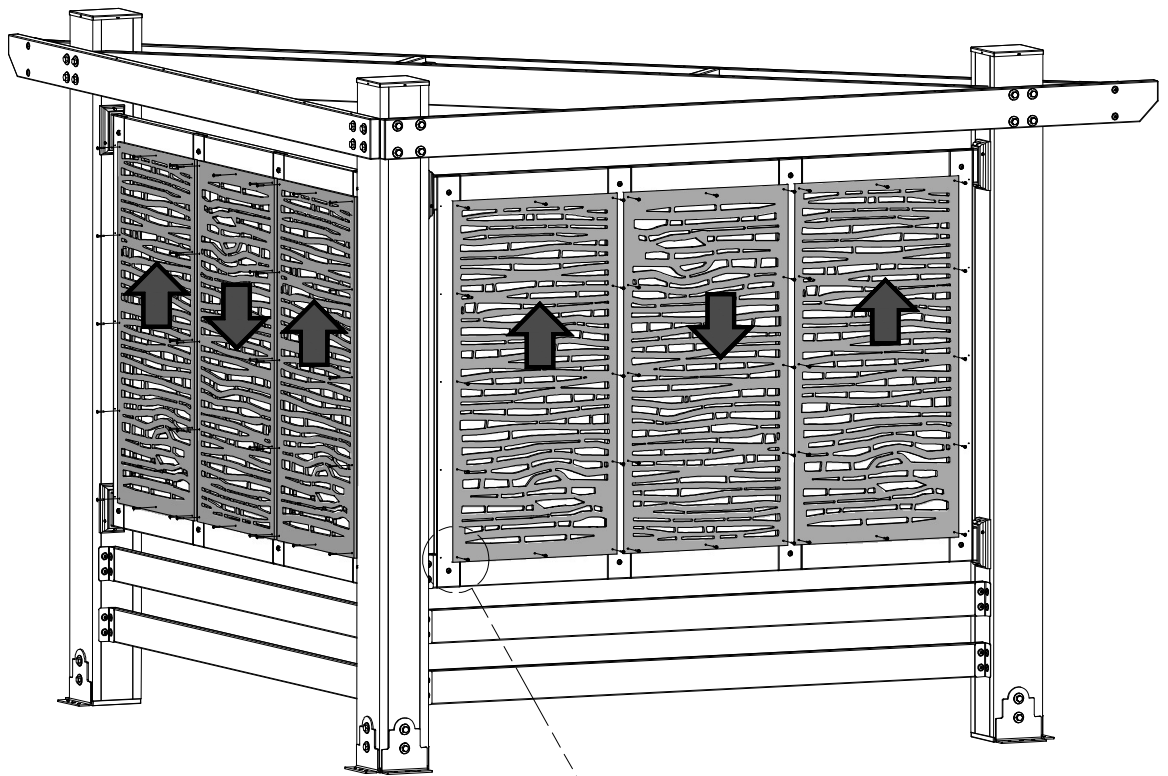
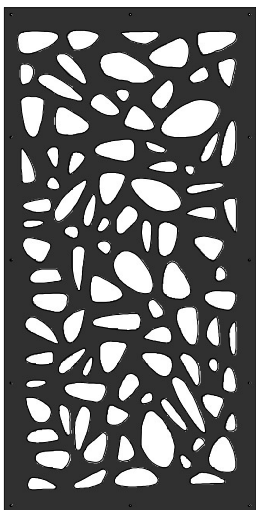
1. ALTERNATE TOP AND BOTTOM AS SHOWN BELOW.
2. TEXTURED SIDE OF PANEL FACES INWARD.



TOP



OR



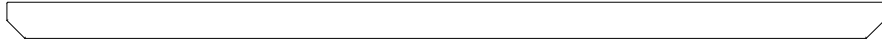
396 (x6)
DECORATIVE BACK PANEL

797 (x72)
SCREW - 1"

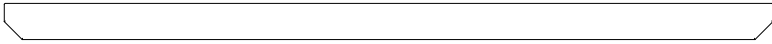


CABANA ASSEMBLY

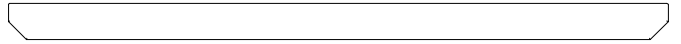
STEP 16



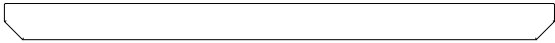
E1 | TOP JOIST - W4L12945
(2) | 1 3/8"x3 3/8"x82 1/4" (36x86x2091)



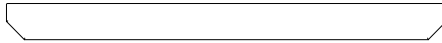
E2 | TOP JOIST - W4L12946
(2) | 1 3/8"x3 3/8"x72 1/8" (36x86x1832)



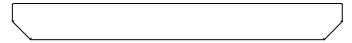
E3 | TOP JOIST - W4L12947
(2) | 1 3/8"x3 3/8"x61 7/8" (36x86x1572)



E4 | TOP JOIST - W4L12948
(2) | 1 3/8"x3 3/8"x51 5/8" (36x86x1310)



E5 | TOP JOIST - W4L12949
(2) | 1 3/8"x3 3/8"x41 1/4" (36x86x1048)



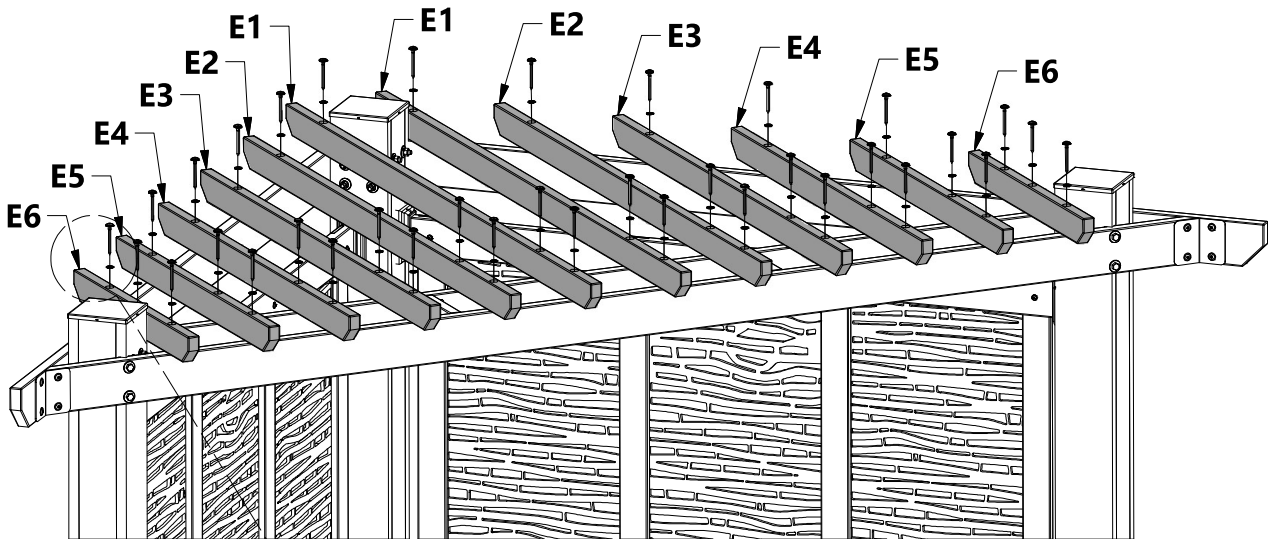
E6 | TOP JOIST - W4L13031
(2) | 1 3/8"x3 3/8"x31" (36x86x786)



H100482 | LAG SCREW WH BLK
(36) | 5/16x3 1/2

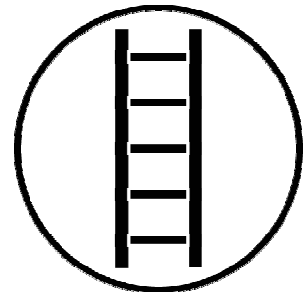
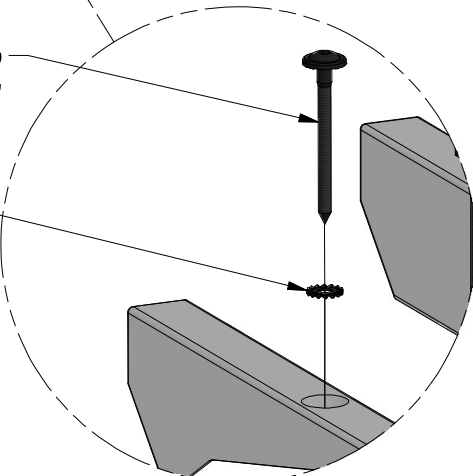


H100198 | WASHER LOCK EXT BLK
(36) | 8x19



482 (x36)
LAG SCREW - 3 1/2"

198 (x36)
WASHER - 8x19





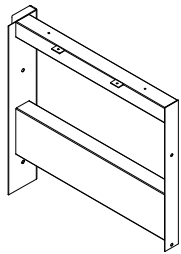
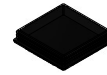
**CUSTOMERS ASSEMBLING MODELS:
2004511, 2004535, 2004559, OR 2004542
CONTINUE ON TO THE NEXT STEP.**

**CUSTOMERS ASSEMBLING MODELS:
2004566 OR 2004528, PLEASE REFER
TO STEP 26 FOR ANCHORING.**

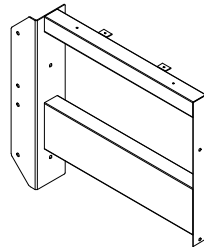


CABANA ASSEMBLY

STEP 17



A4M01060
(1) | **FRAME END - LEFT**

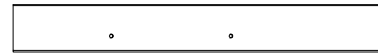


A4M01066
(1) | **FRAME END - RIGHT**

A6P00377
(2) | **SNAP-IN SQUARE PLUG**



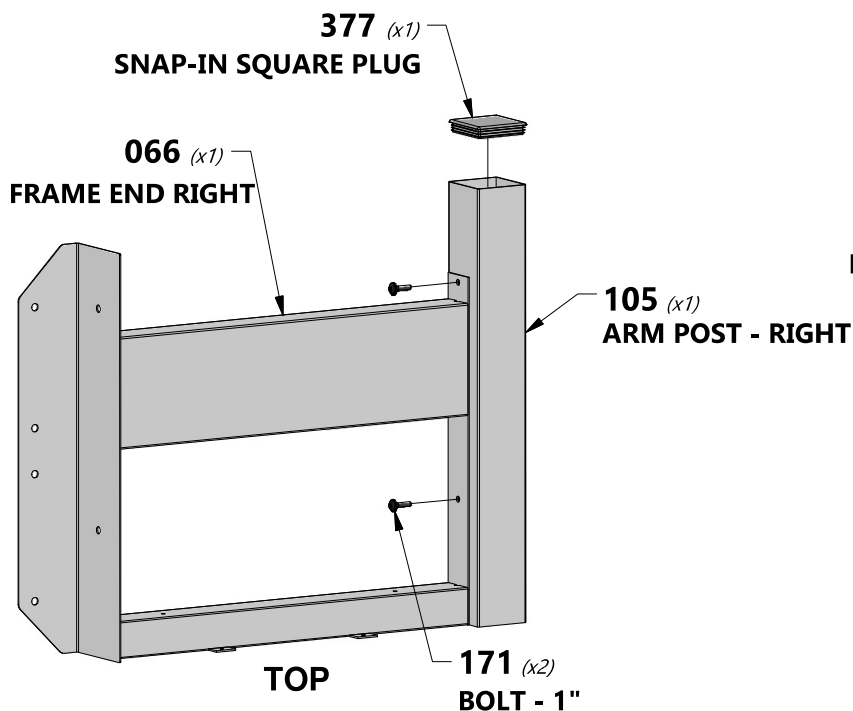
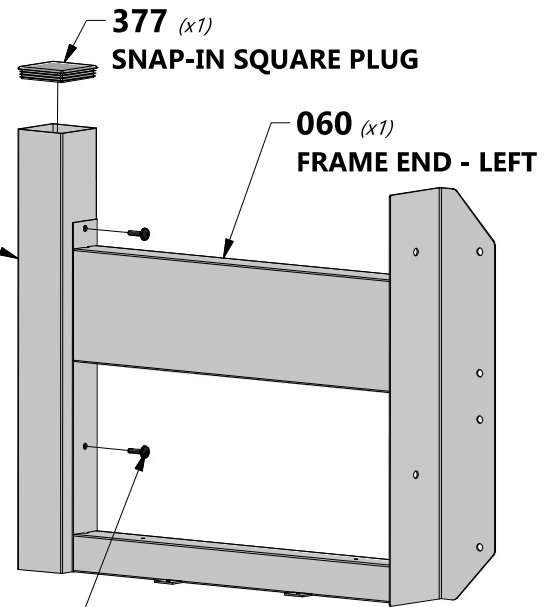
A4M01105
(1) | **ARM POST - RIGHT**



A4M01106
(1) | **ARM POST - LEFT**



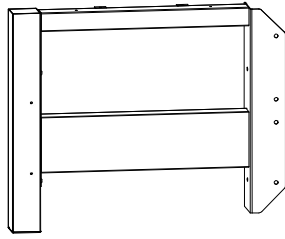
H100171
(4) | **BOLT WH BLK**
1/4x1



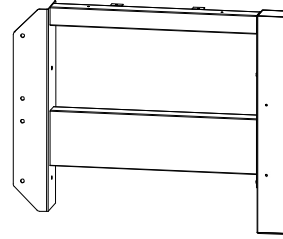


CABANA ASSEMBLY

STEP 18



(1) METAL ARM - LEFT SUBASSEMBLY



(1) METAL ARM - RIGHT SUBASSEMBLY

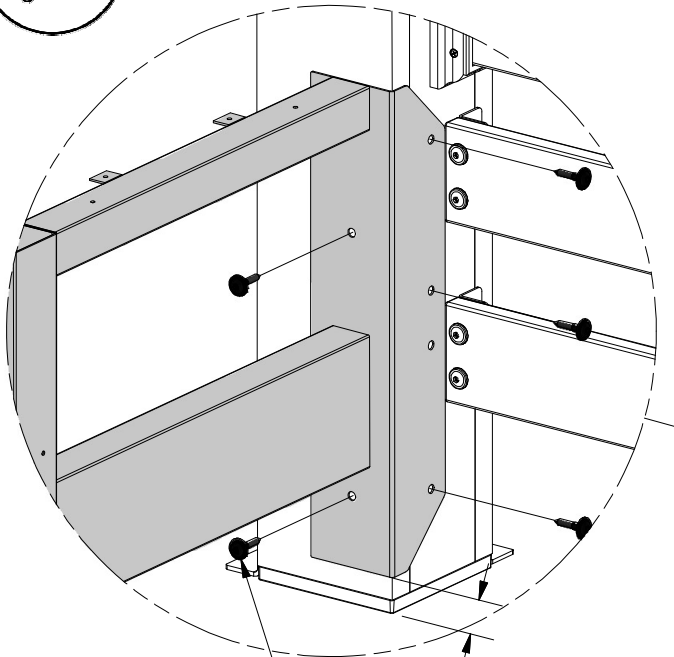


H100471 | LAG SCREW WH BLK
(10) | 5/16x1 1/2



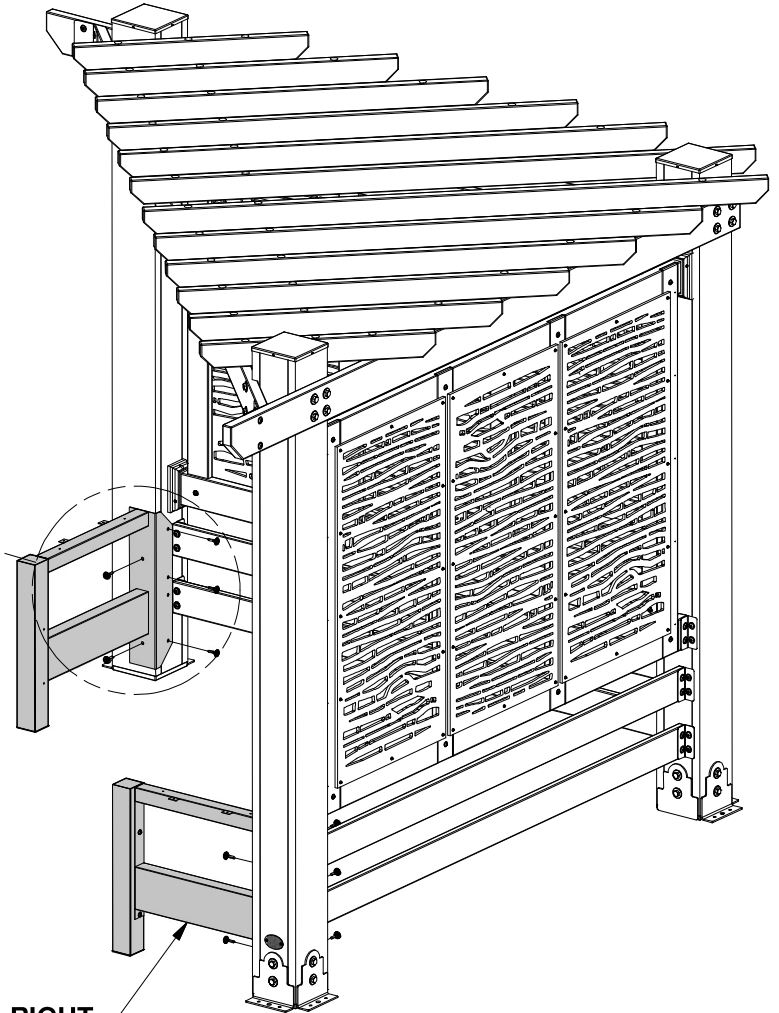
NOTE:

LOCATE AND USE ARMREST ASSEMBLY HOLES AS A TEMPLATE. MARK AND DRILL HOLES SECURING METAL ARMRESTS TO POSTS. USE THE 6 MM DRILL BIT PROVIDED IN HARDWARE KIT TO DRILL 3/8" [10 MM] DEEP HOLES. USE HARDWARE PROVIDED.



471 (x10)
LAG SCREW - 1 1/2"
(RIGHT & LEFT ARMS)

1 5/8 in
[42 mm]
(BOTH ARMS)

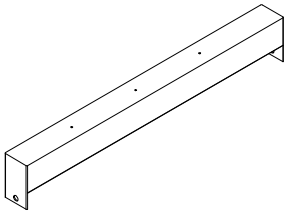


METAL ARM - RIGHT SUBASSEMBLY (x1)

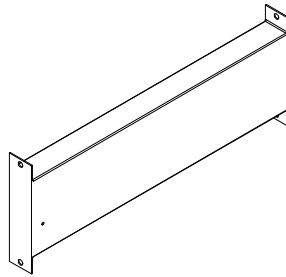


CABANA ASSEMBLY

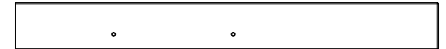
STEP 19



A4M01065 | RAIL
(2)



A4M01095 | RAIL
(2)



A4M01063 | POST
(1)



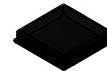
A4M01069 | POST
(1)



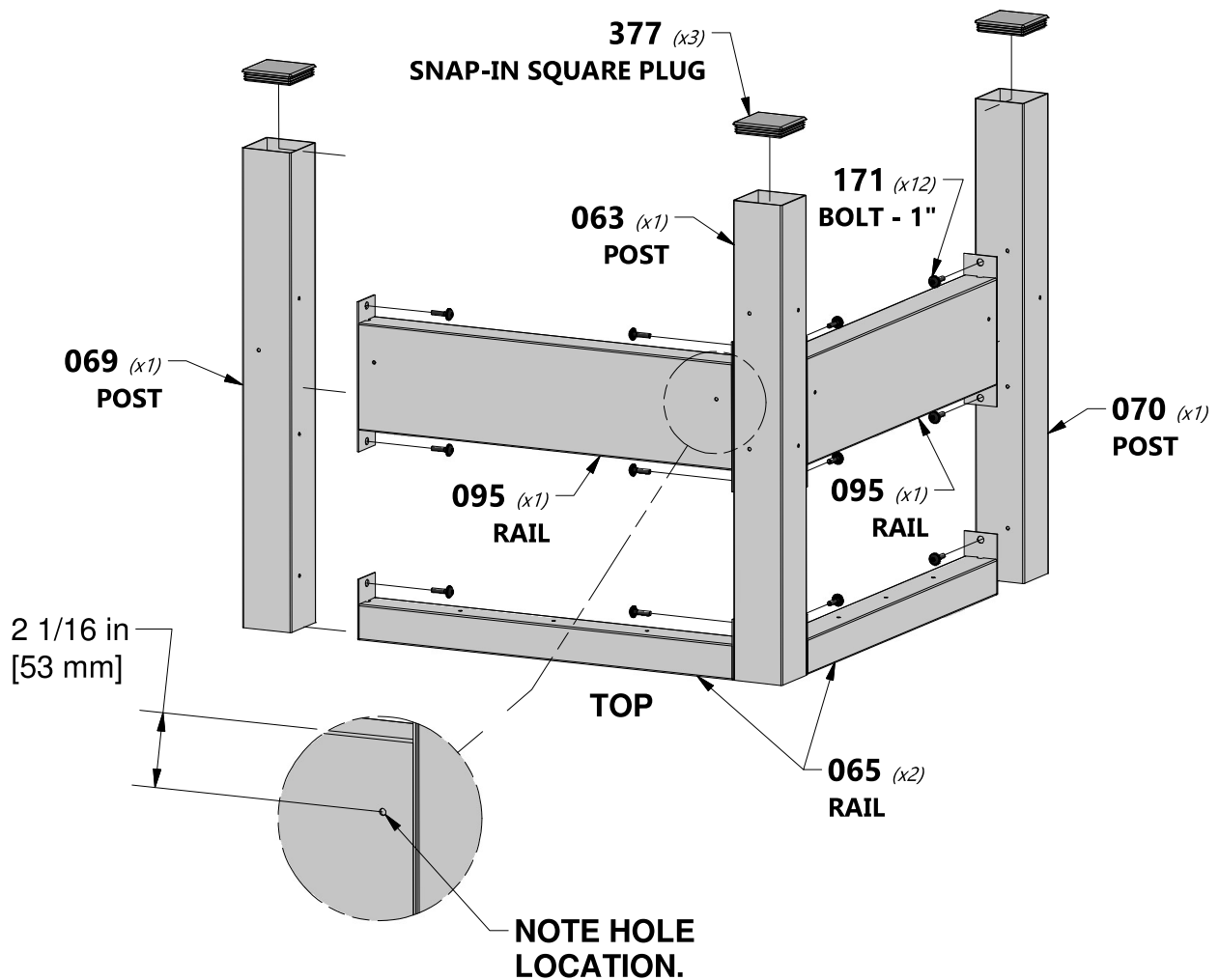
A4M01070 | POST
(1)

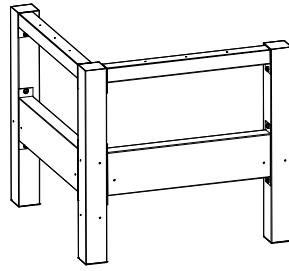


H100171 | BOLT WH BLK
(12) | 1/4x1



A6P00377 | SNAP-IN SQUARE PLUG
(3)

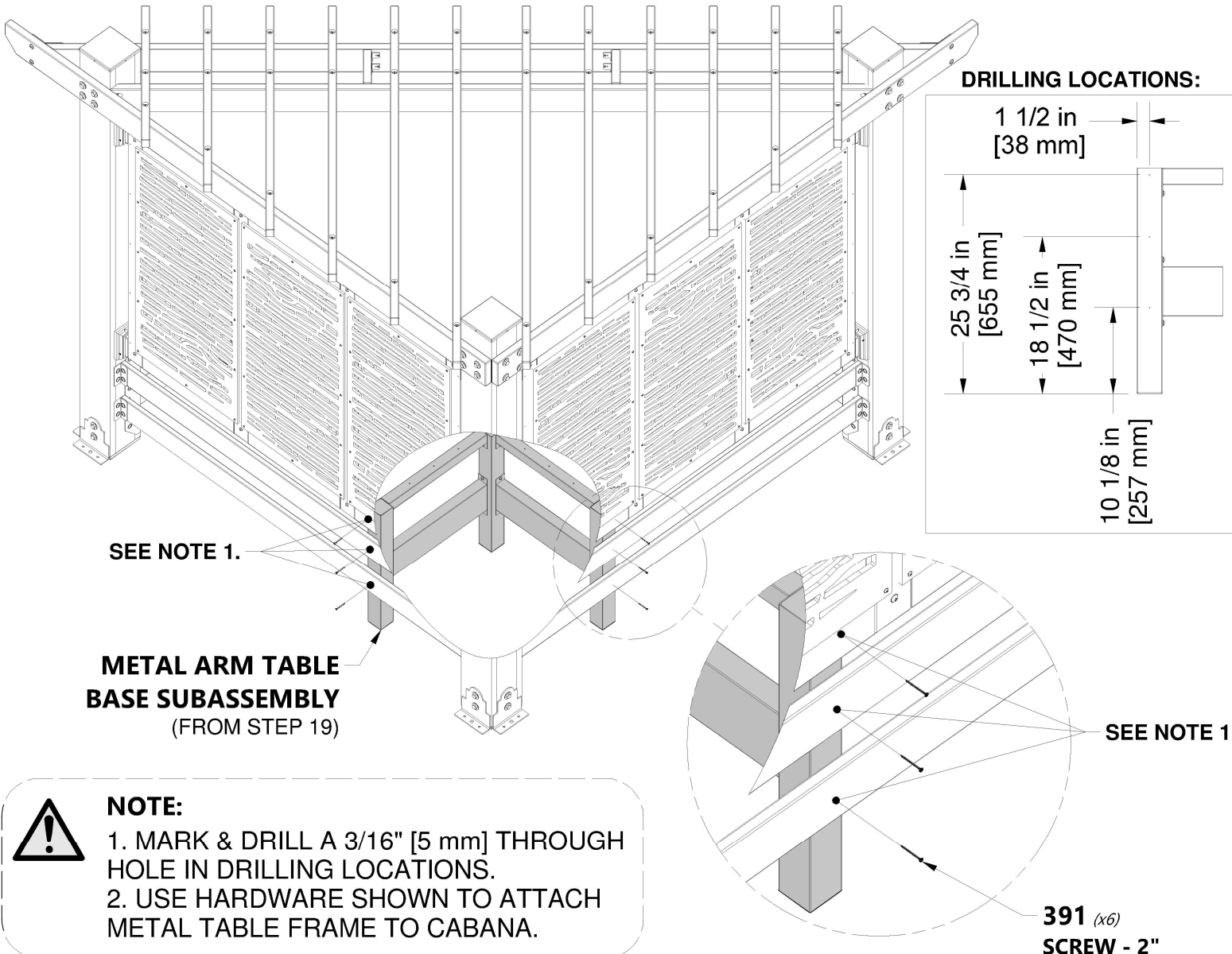




(1) METAL ARM TABLE BASE SUBASSEMBLY
(FROM STEP 19)



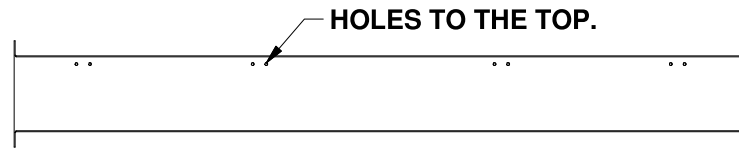
H100391 | SCREW PFH BLK
(6) | 8x2





CABANA ASSEMBLY

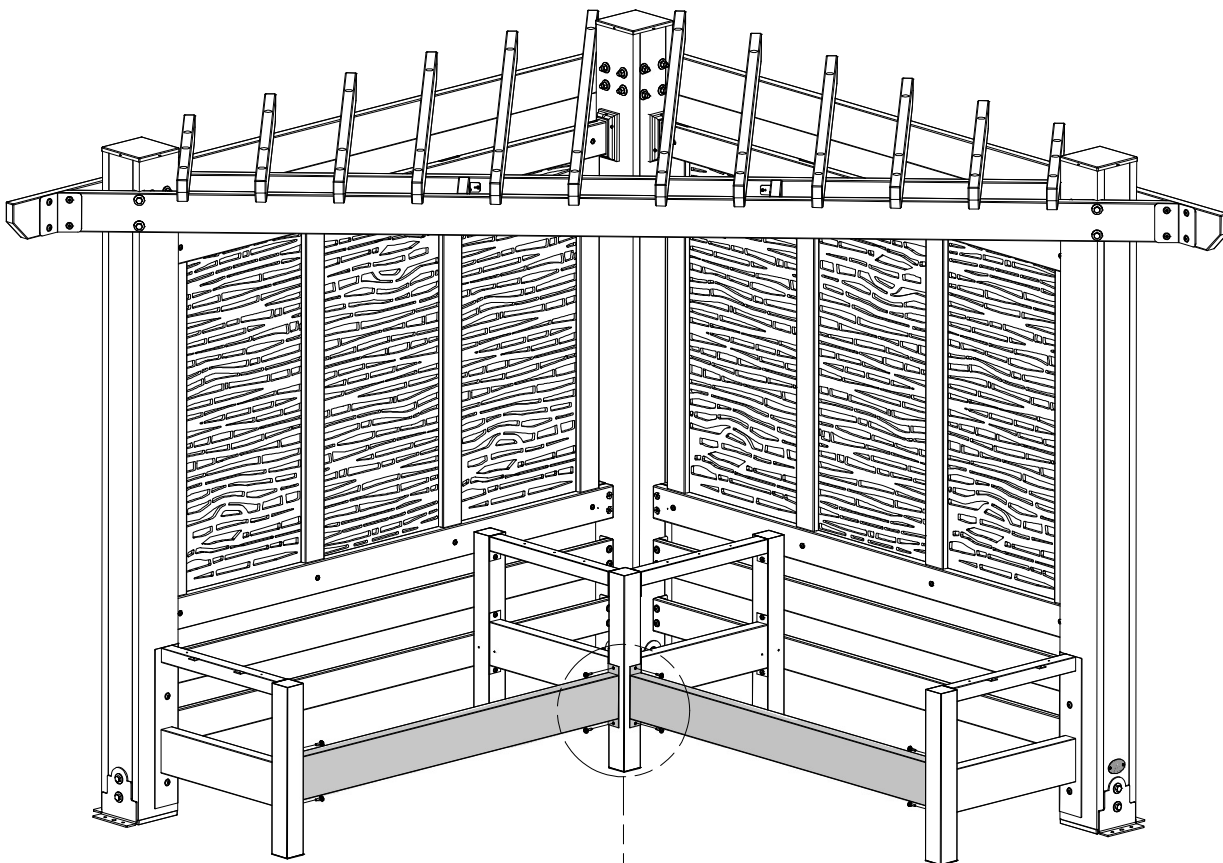
STEP 21



A4M01101 | RAIL
(2)



H100171 | BOLT WH BLK
(8) | 1/4x1



171 (x8)
BOLT - 1"

101 (x1)
RAIL

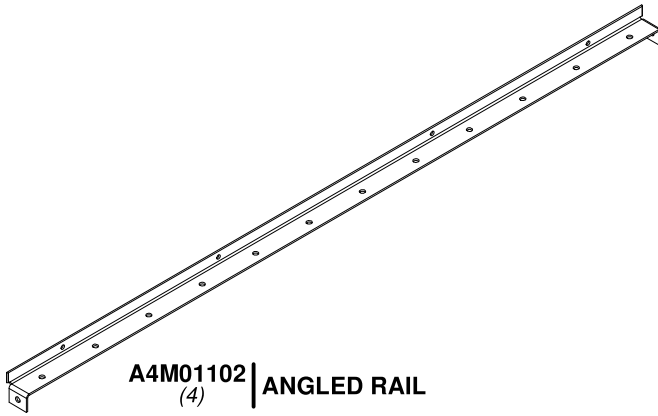
101 (x1)
RAIL



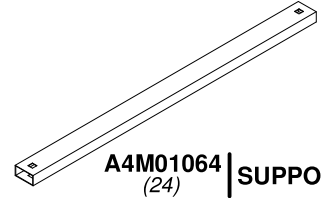


CABANA ASSEMBLY

STEP 22



A4M01102 | ANGLED RAIL
(4)



A4M01064 | SUPPORT
(24)



H100712 | BOLT CARRIAGE BLK
(48) | 5/16x1 1/2



H100770 | WASHER FLAT
(48) | 5/16 BLK

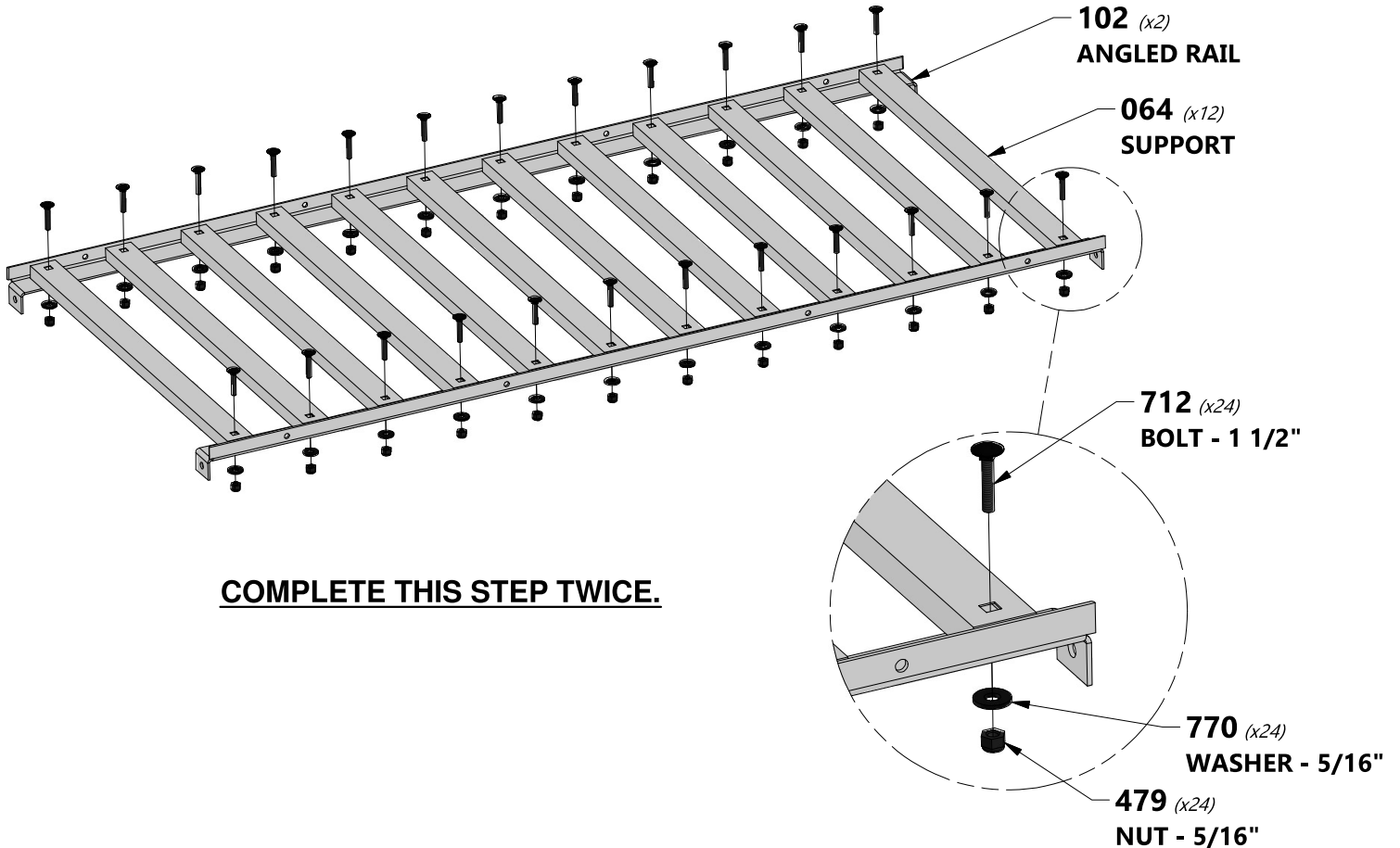


H100479 | NUT LOCK BLK
(48) | 5/16



NOTE:

LOOSELY TIGHTEN SEAT SUPPORT FRAME FOR EASIER ATTACHMENT TO METAL FRAME AND CABANA RAILS!

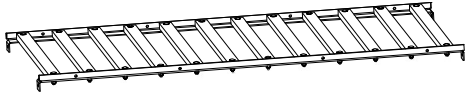


COMPLETE THIS STEP TWICE.



CABANA ASSEMBLY

STEP 23



(2) SEAT SUPPORT SUBASSEMBLY



H100171 | BOLT WH BLK
(12) | 1/4x1



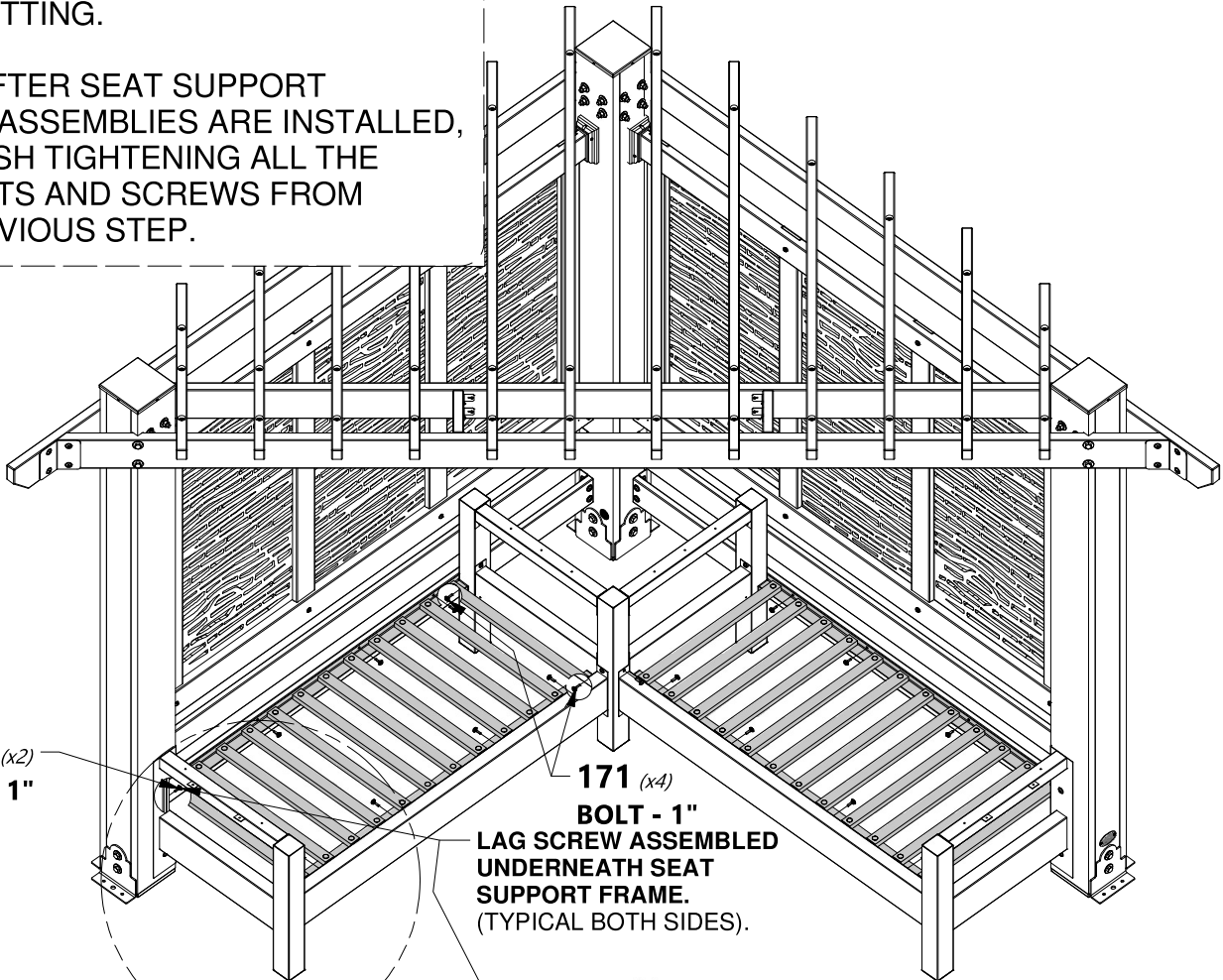
H100460 | LAG SCREW WH BLK
(10) | 1/4x1



NOTE:

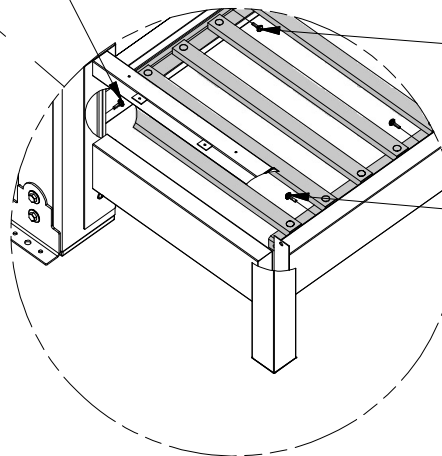
1. PILOT DRILL WOOD RAILS, USING A 1/8" DRILL BIT, BEFORE INSTALL HARDWARE TO AVOID SPLITTING.

2. AFTER SEAT SUPPORT SUBASSEMBLIES ARE INSTALLED, FINISH TIGHTENING ALL THE BOLTS AND SCREWS FROM PREVIOUS STEP.



460 (x2)
LAG SCREW - 1"

171 (x4)
BOLT - 1"
LAG SCREW ASSEMBLED
UNDERNEATH SEAT
SUPPORT FRAME.
(TYPICAL BOTH SIDES).



460 (x8)
LAG SCREW - 1"
(BACK SIDE)

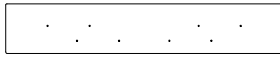
171 (x8)
BOLT - 1"
(FRONT SIDE)

REPEAT PROCESS FOR BOTH SEAT SUPPORT SUBASSEMBLIES.



CABANA ASSEMBLY

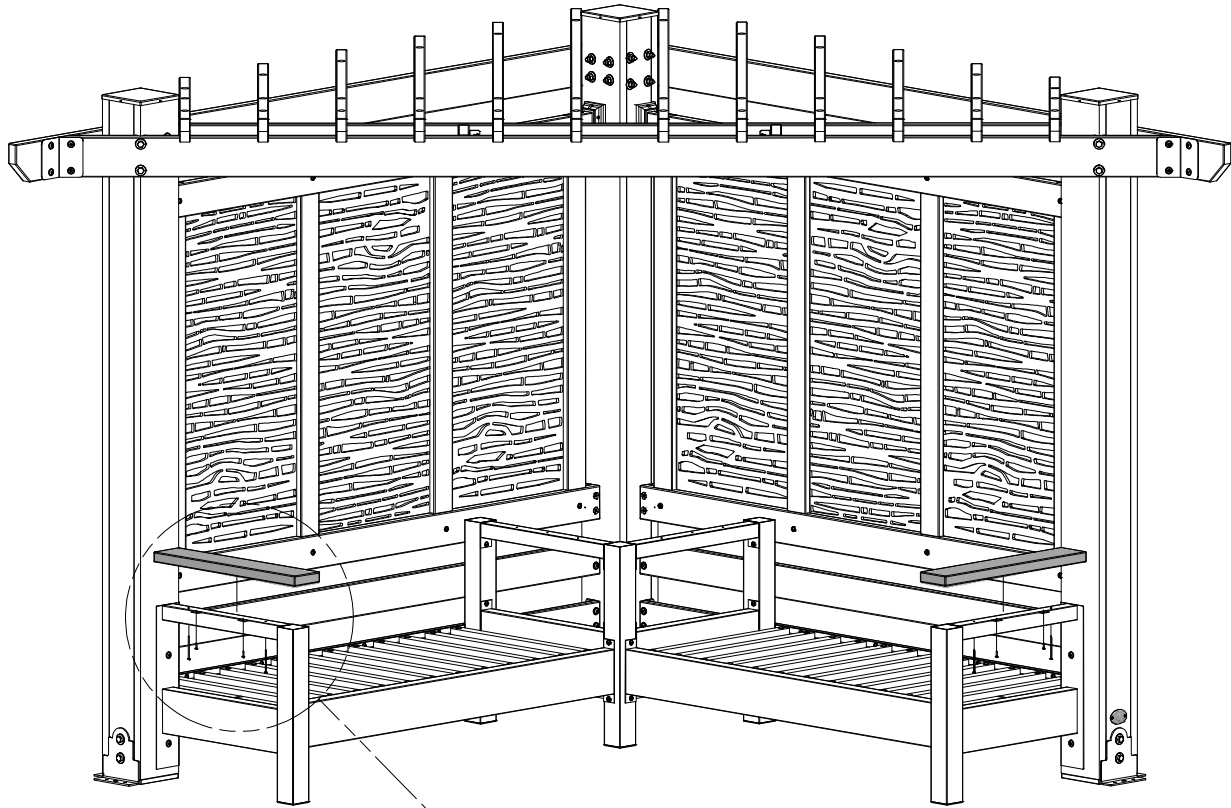
STEP 24



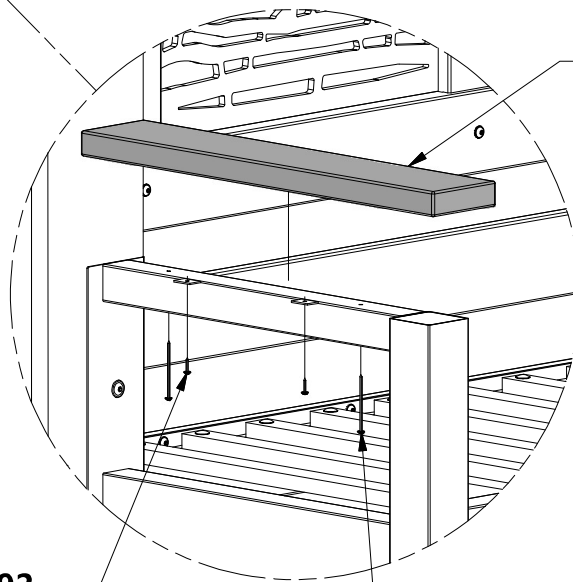
D7 | **ARM REST - W4L13038**
(2) | 1 3/8"x4 5/8"x26" (34x118x660)

H100824 | **SCREW PWH BLK**
(4) | 8x3

H100392 | **SCREW PWH BLK**
(4) | 8x3/4



**REPEAT PROCESS FOR BOTH
ARM RESTS.**



D7 (x2)
ARM REST

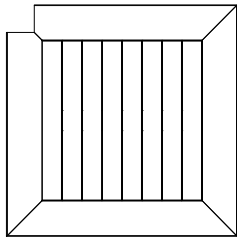
392 (x4)
SCREW - 3/4"

824 (x4)
SCREW - 3"

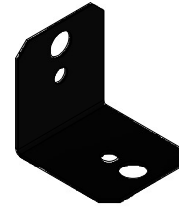


CABANA ASSEMBLY

STEP 25



TT1 | TABLE TOP - W2A02918
(1) | 1 5/16"x30 1/8"x30 1/8" (34x765x765)



A4M00555 | 90° L-BRACKET - BLK
(2)



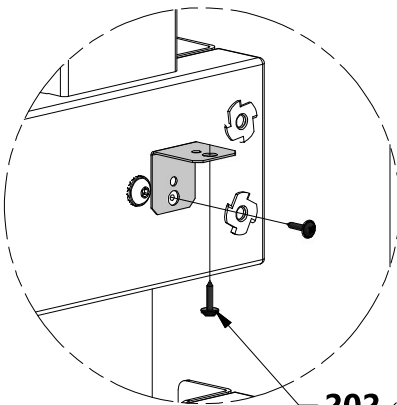
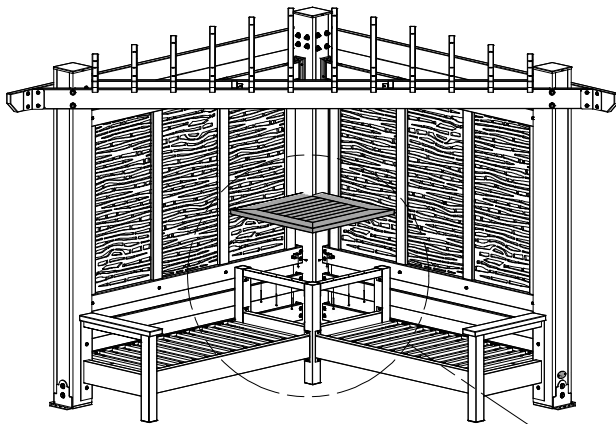
H100202 | SCREW PWH BLK
(4) | 8x5/8



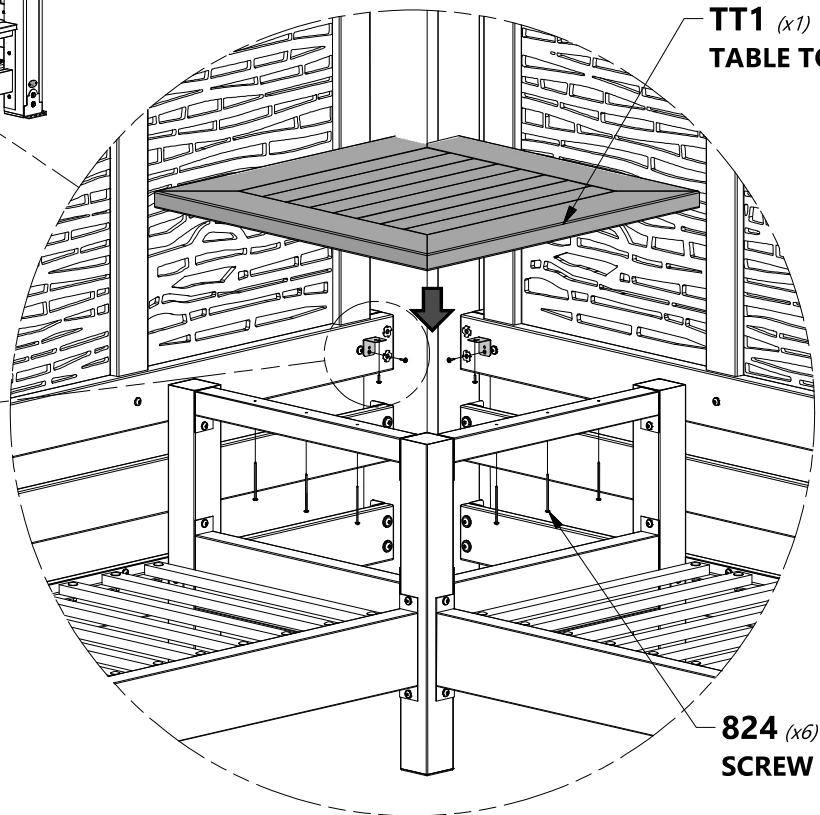
H100824 | SCREW PWH BLK
(6) | 8x3



NOTE:
ASSEMBLE REAR CORNER L-BRACKETS FIRST.



202 (x4)
SCREW - 5/8"



TT1 (x1)
TABLE TOP

824 (x6)
SCREW - 3"



ANCHORING

STEP 26



A4M00951 | GROUND STAKE 16 INCH
(6)



H100120 | SCREW CONCRETE ANCHOR
(12) | 1/4x2



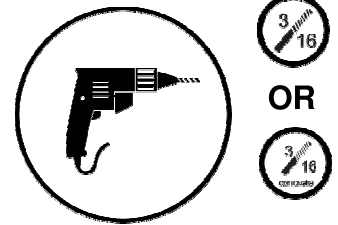
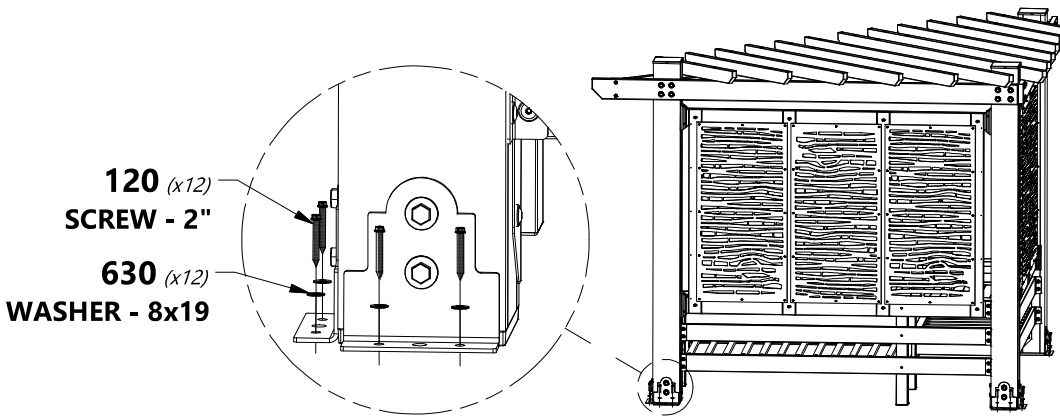
H100630 | WASHER FLAT BLK
(12) | 8x19



NOTE:

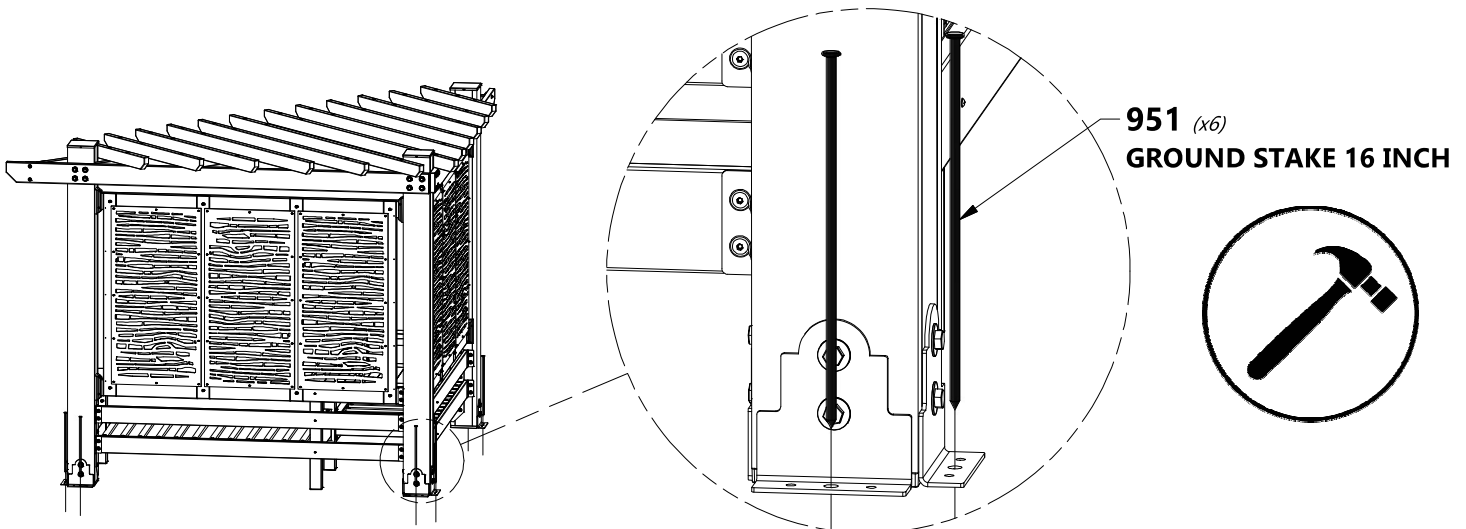
1. IF INSTALLING ON A DECK, YOU MUST ENSURE THERE IS AMPLE STRUCTURAL SUPPORT UNDER THE DECK. USING THE POST BASE BRACKET AS A TEMPLATE, DRILL 3/16" HOLES FOR HARDWARE IN LOCATIONS SHOWN BELOW.

2. FOR MOUNTING ON CONCRETE, USE THE POST BASE BRACKET AS A TEMPLATE AND DRILL HOLES USING A 3/16" CONCRETE BIT FOR HARDWARE.



NOTE:

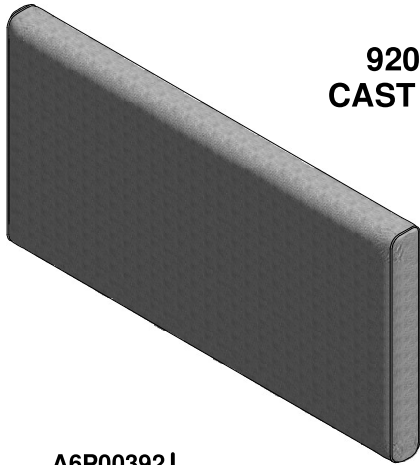
GROUND STAKES ARE USED IF LOCATING PERGOLA ON GRASS.





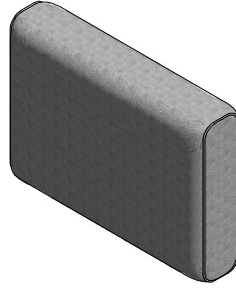
FINAL ASSEMBLY

STEP 27



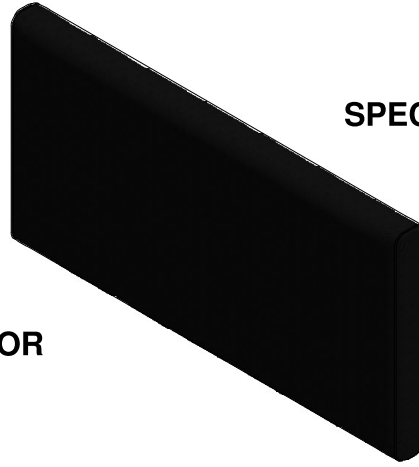
9205109
CAST SLATE

A6P00392 | SEAT CUSHION
(2)



A6P00393 | BACK CUSHION
(4)

OR



9205116
SPECTRUM INDIGO

A6P00394 | SEAT CUSHION
(2)



A6P00395 | BACK CUSHION
(4)

