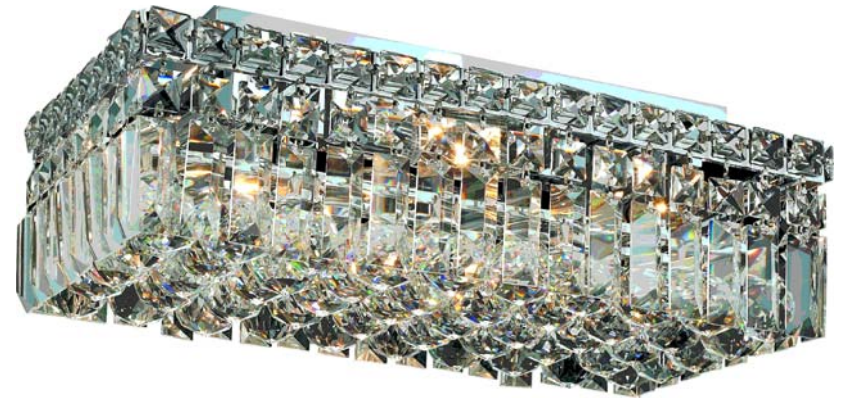


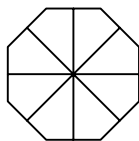
W 33528C16

L16" W8" H5" L4



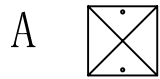
We are dedicated to providing the finest quality of crystal chandeliers for our customers. Our master craftsman and designers pay their full attention to detail, prompt, and efficient service. Enclosed are detailed instructions on how to properly install your chandelier. Please read all instructions thoroughly. If you have any questions, please feel free to call our toll free chandelier hotline at:

1-855-411-8999

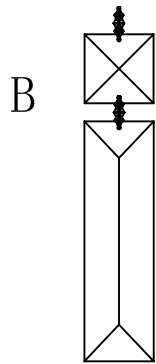


# Crystal Dressing Instructions

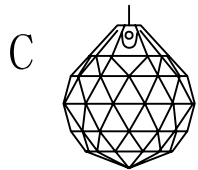
When dressing the chandelier with the crystals please remember to wear either rubber or cotton gloves. So as to prevent any damage or smudging on the crystals.



48holes: 22#square-shaped crystal with 2 holes



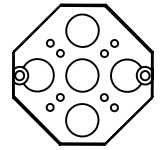
48holes: clip+22#square-shaped crystal with 2 holesX1+22X63#block



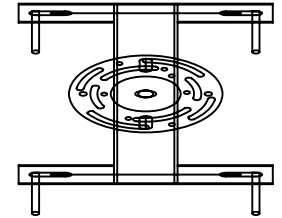
50holes: 40#ball

# CANOPY PARTS LIST

Existing Electrical Box



Crossbar



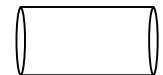
Crossbar Screws x 2(not srpplied)



Wire Connector



Shrinkable tube



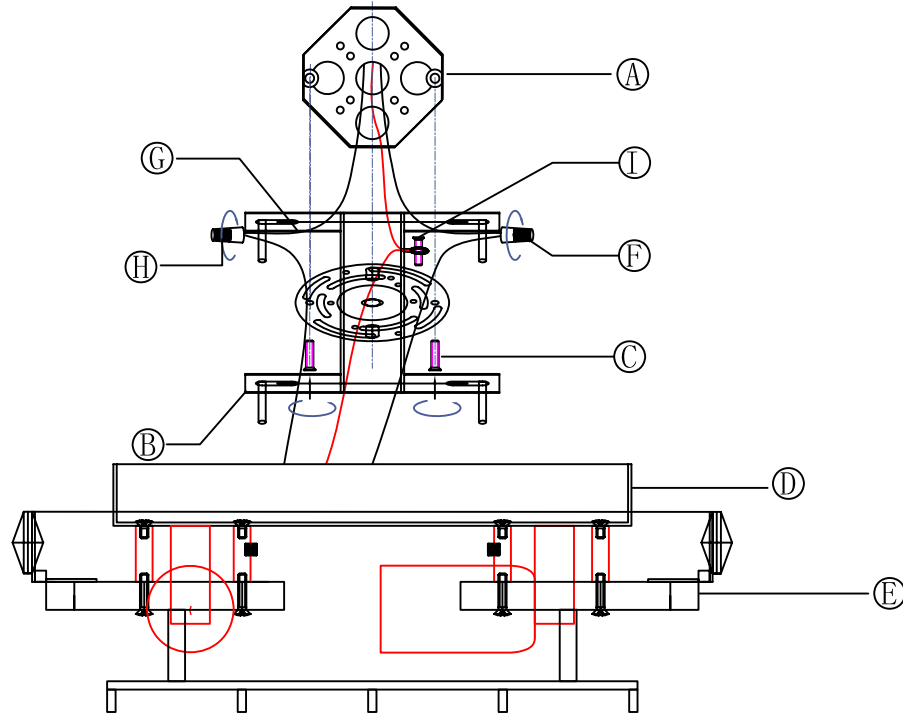
Cable tie



Ground Wire

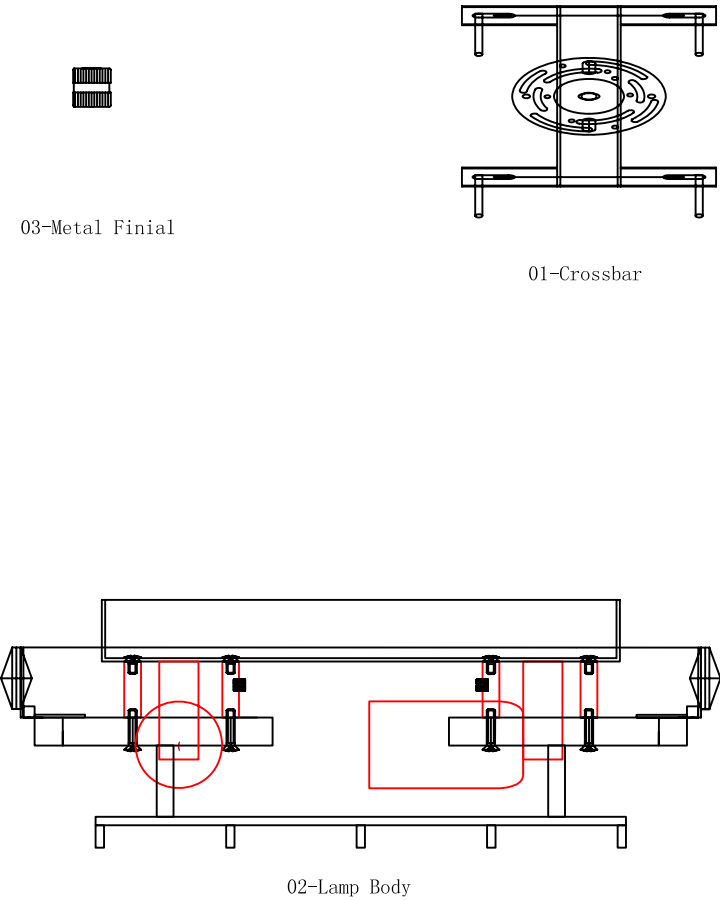


# CANOPY INSTALLATION DIAGRAM



07

# Frame Parts List



03-Metal Finial

01-Crossbar

02-Lamp Body

04

**WARNING!!!**  
CONTENTS ARE FRAGILE  
HANDLE WITH CARE

The metal frame and crystal components of this chandelier are very delicate.

Please have extreme caution when unpacking and installing.

**WARNING!!!**

After passing the main electrical wire through the 10mm pipe and connecting the pipe to the top main body connector, place all remaining pieces as shown in numerical order and in the orientation depicted. Refer to the parts list to avoid confusion between parts.

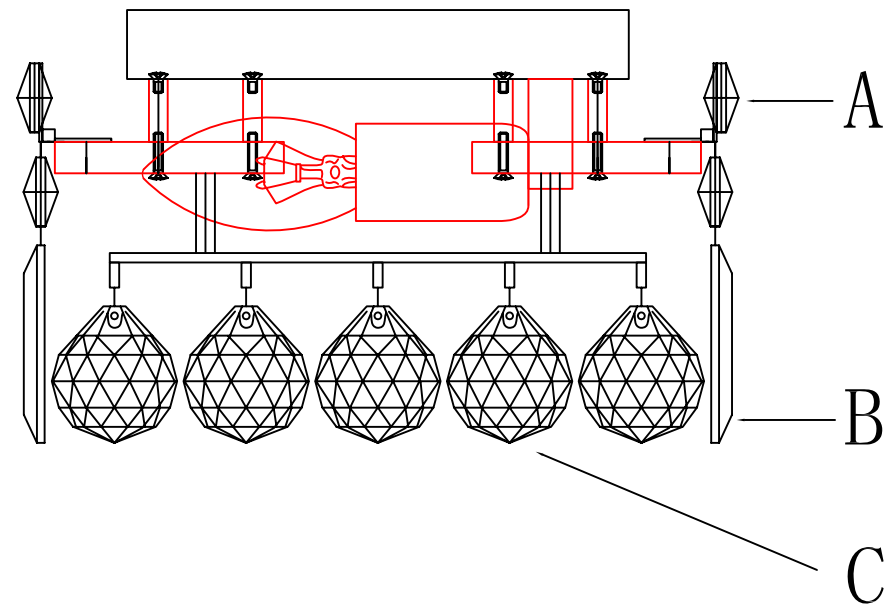
**CAUTION**

1. Rated 110v-130v/60Hz, bulb E12/40W maximum.
2. Take care to avoid damage to the surface of lighting and wire. Wearing gloves is recommended when installing.
3. Connect black or red wire of the lighting to the white or blue wire. Then connect to the neutral wire and double colored (or bare copper) wire to the ground wire.
4. Never install lighting on damp ceiling. The room should be dry and well ventilated.
5. Keep lighting away from acid, alkali, and other corrosive chemical or gas. Clean with soft cloth only.
6. Installation must be carried out by qualified electrician only.
7. Disconnect the power before installing, cleaning, or replacing the lamp.
8. Never cover the lighting when power is connected.
9. Fixture must be secured when installing the ceiling tube, chain, pipe, and other connecting parts.
10. Take care to avoid damage when installing glass parts.
11. All electrical components must be installed by a licensed electrician and in accordance with the National Electrical Code. It must be in the appropriate local electrical codes. Make sure that the electrical supply to the chandelier is turned off at the main fuse or circuit breaker before doing any installation. Worldwide lighting is not responsible for unprofessional wiring.

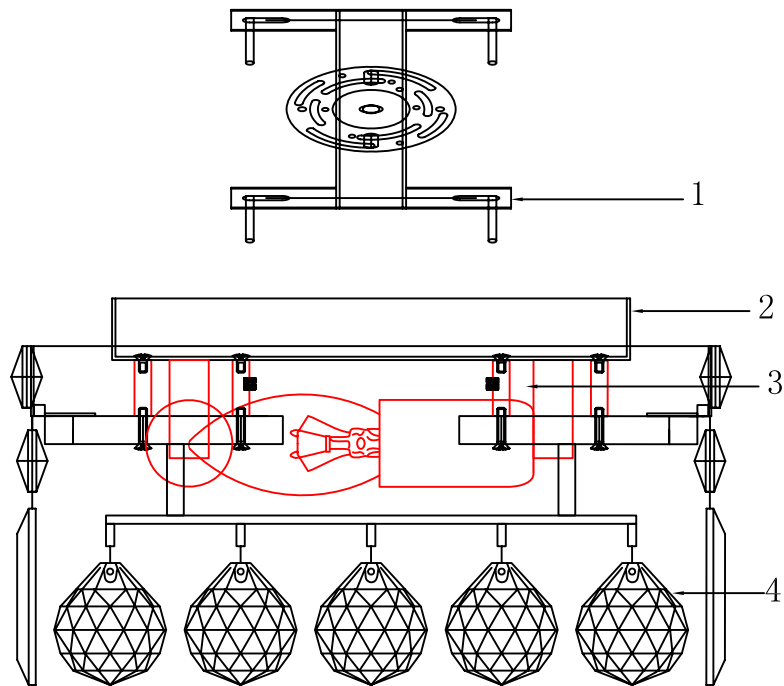
**Crystal Dressing Diagram**



When dressing the chandelier with the crystals please remember to wear either rubber or cotton gloves. So as to prevent any damage or smudging on the crystals.



## Frame Assembly Diagram



03

## CANOPY INSTALLATION INSTRUCTIONS

Please read all instructions carefully. Before you proceed to install, make sure that the power supply is turned off and off until installation is complete. Please note that each part has been assigned a letter. Please proceed in an alphabetical order.

- A. Existing Electrical Box
- B. Crossbar
- C. Crossbar Screws
- D. Metal Plate
- E. Crossbar Bracket
- F. Neutral Conductor
- G. Hot Wire
- H. Junction Caps
- I. Ground Wire

Attach the Crossbar (B) to the existing electrical box (A) using the two crossbar screws (E) which are not supplied and should already be in your box.

08

**WARNING!!!**  
**CONTENTS ARE FRAGILE**  
**HANDLE WITH CARE**

The metal frame and crystal components of this chandelier are very delicate.

Please have extreme caution when unpacking and installing.

**WARNING!!!**

After passing the main electrical wire through the 10mm pipe and connecting the pipe to the top main body connector, place all remaining pieces as shown in numerical order and in the orientation depicted. Refer to the parts list to avoid confusion between parts.

**CAUTION**

1. Rated 110v-130v/60Hz, bulb E12/40W maximum.
2. Take care to avoid damage to the surface of lighting and wire. Wearing gloves is recommended when installing.
3. Connect black or red wire of the lighting to the white or blue wire. Then connect to the neutral wire and double colored (or bare copper) wire to the ground wire.
4. Never install lighting on damp ceiling. The room should be dry and well ventilated.
5. Keep lighting away from acid, alkali, and other corrosive chemical or gas. Clean with soft cloth only.
6. Installation must be carried out by qualified electrician only.
7. Disconnect the power before installing, cleaning, or replacing the lamp.
8. Never cover the lighting when power is connected.
9. Fixture must be secured when installing the ceiling tube, chain, pipe, and other connecting parts.
10. Take care to avoid damage when installing glass parts.
11. All electrical components must be installed by a licensed electrician and in accordance with the National Electrical Code. It must be in the appropriate local electrical codes. Make sure that the electrical supply to the chandelier is turned off at the main fuse or circuit breaker before doing any installation. Worldwide lighting is not responsible for unprofessional wiring.

05

**Frame Assembly Instructions**

Installation:

Please read all instructions carefully.

Before you proceed to install, make sure.

that the power supply is turned off and remains off until installation is complete.

please note that each part has been assigned a number.

please proceed in a numerical order.

1. Affix the crossbar (01) on junction box.
2. Make sure the positive and negative charges of wire and lamp body match correctly, screw the connect point with the junction cap.
3. Make sure the main wire is enough long and keep the rest wire in the 4" j-box.
4. Screw the lamp body(02) on Crossbar(01) With Crossbar Bracket
5. As the crystal pressing instruction, hang the crystal parts.

The end!

06