

# Heavy Duty Steel Slat Metal Bed Frame

Item # 1004036478  
Model # THD-HDSLBF-F  
Item # 1004036479  
Model # THD-HDSLBF-Q  
Item # 1004036476  
Model # THD-HDSLBF-K

## USE AND CARE GUIDE

### 14" HEAVY DUTY STEEL SLAT METAL BED FRAME Full / Queen / King



Questions, problems, missing parts? Before returning  
to the store, Customer Service.

8 a.m. – 7 p.m., EST, Monday – Friday, 9 a.m. – 6 p.m.,  
EST, Saturday

1-877-527-0313

**HOMEDEPOT.COM**

**THANK YOU**

*We appreciate the trust and confidence you have placed in Home Depot through the purchase of this Heavy Duty Steel Slat Metal Bed Frame. We strive to continually create quality products designed to enhance your home. Visit us online to see our full line of products available for your home improvement needs. Thank you for choosing Home Depot!*

# Table of Contents

Table of Contents.....	2
Safety Information.....	2
Warranty.....	2
What is Covered.....	2
What is Not Covered.....	2
Pre-Assembly .....	3
Planning Assembly .....	3
Hardware Included .....	3
Package Contents.....	4
Assembly .....	5
Maintenance .....	7
Care and Cleaning .....	7

# Safety Information

## Remark

1. Keep small parts away from children during assembly
2. Read and follow instructions carefully



Warning: Any assembly of the product must be carried out by adults only.



Warning: Check all bolts periodically for tightness to avoid collapse. When required, tighten them.



Warning: The Maximum recommended loading weight capacity is 2800 lbs for Full/Queen/King and it may not be exceeded. Exceeding the loading capacity may result in collapse and possible injury.

# Warranty

## 1 YEARS WARRANTY

### WHAT IS COVERED

This warranty is your sole remedy for product defects only. The defects include circumstances where the frame has broken under normal use and no longer performs its function.

### WHAT IS NOT COVERED

It does not cover damage due to mishandling, misuse or abuse. We are not responsible for incidental or consequential damages.

# Pre-Assembly

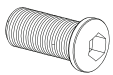
## PLANNING ASSEMBLY

Keep children and pets away from build area, make sure your area is large enough to unpack, sort and assemble the unit.

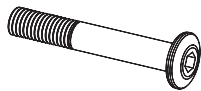
## HARDWARE INCLUDED



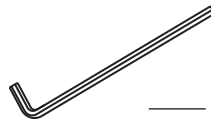
**NOTE:** Hardware not shown to actual size.



\_\_\_ AA



\_\_\_ BB

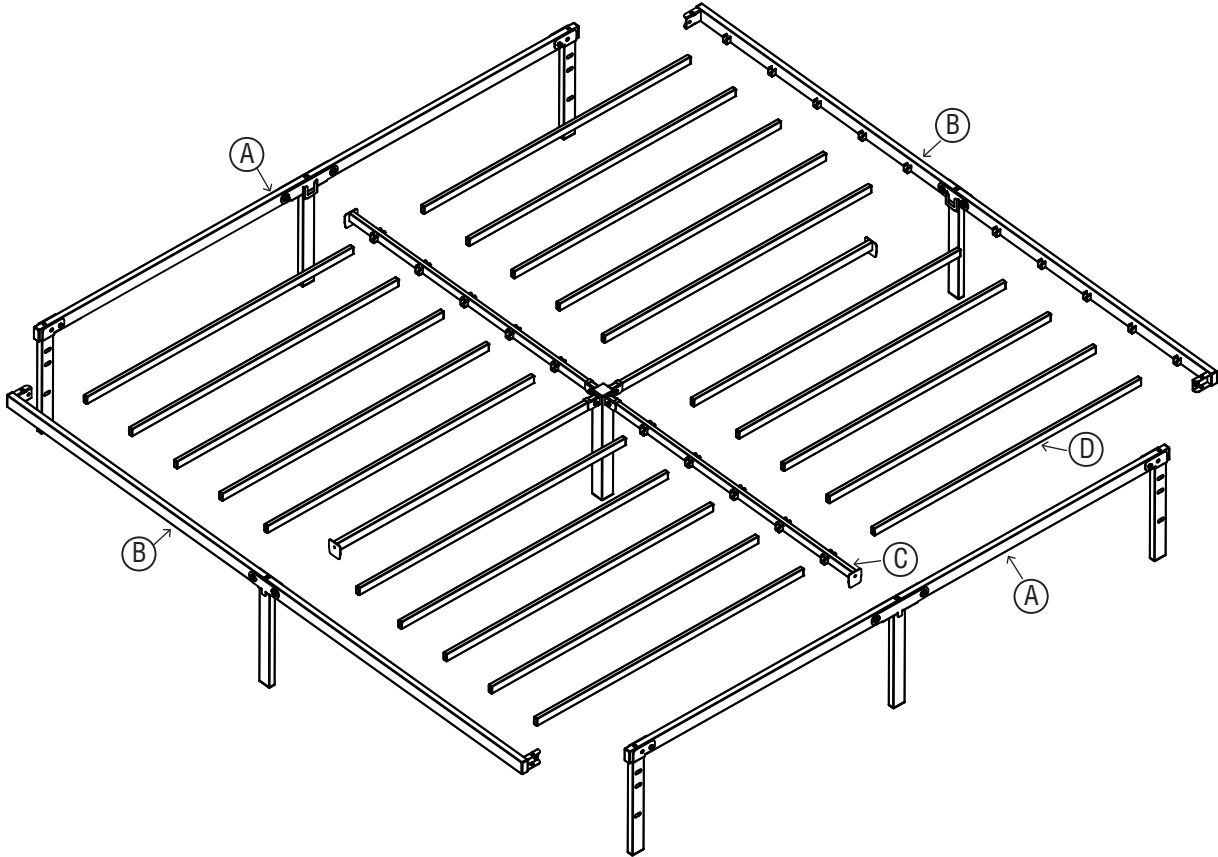


\_\_\_ CC

Part	Description	Quantity
AA	M8 x 15 bolt	4
BB	M8 x 53 bolt	4
CC	Hex Key	1

## Pre-Assembly (cont.)

### PACKAGE CONTENTS



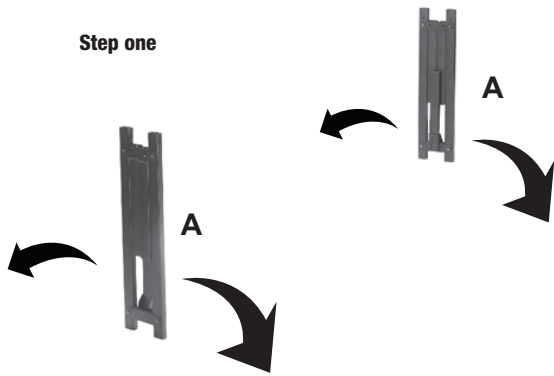
Part	Description	Quantity
A	side tube	2
B	side tube	2
C	connecting pipe of middle feet	1
D	supporting horizontal tube	20

# Assembly

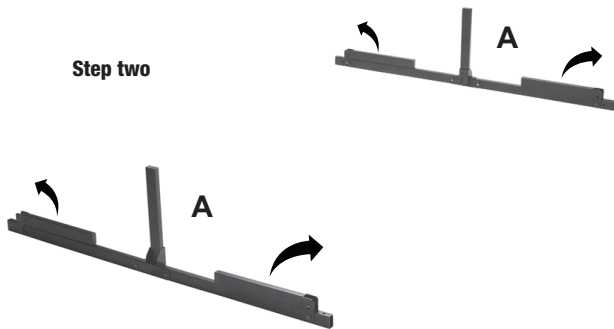
## 1 Unfold side tube

- Unfold the side tube (A) until you hear the \*click\*.

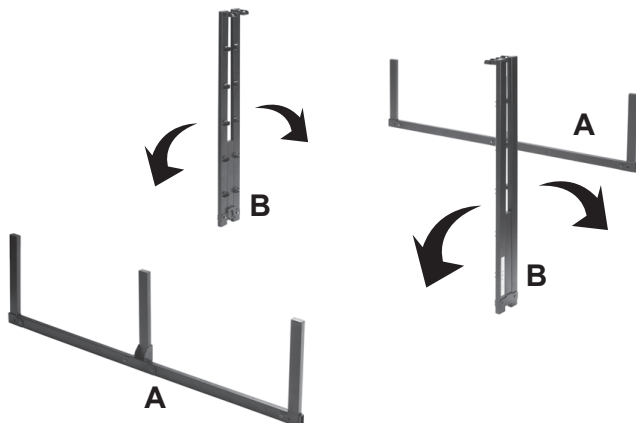
Step one



Step two

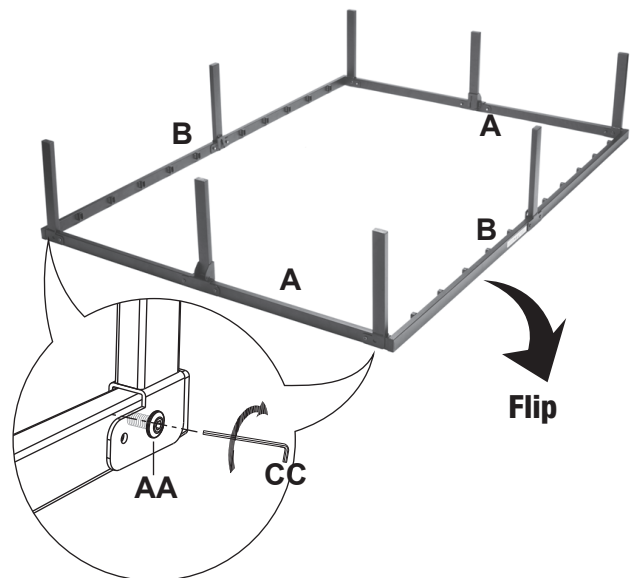


- Unfold the side tube (B) until you hear the \*click\*.

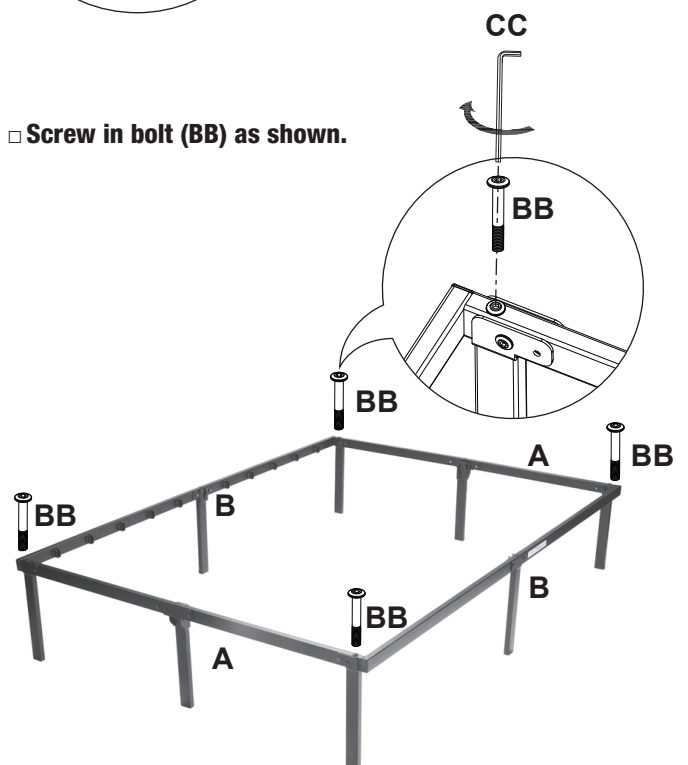


## 2 Joint side tube

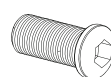
- Insert side tube (B) to side tube (A) and screw in bolt (AA), Then flip the bed frame.



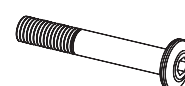
- Screw in bolt (BB) as shown.



M8 x 15 bolt  
(AA) x4



M8 x 53 bolt  
(BB) x4



Hex key  
(CC) x1



# Assembly

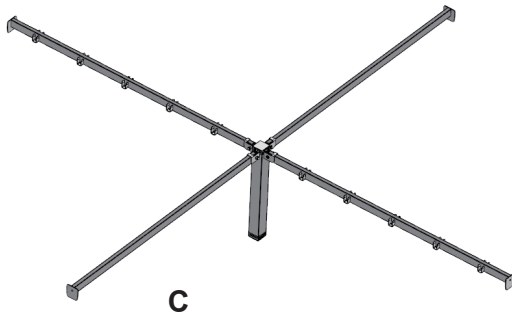
## 3 Joint connecting pipe of middle feet

- Unfold the connecting pipe of middle feet (C) until you hear the \*click\*

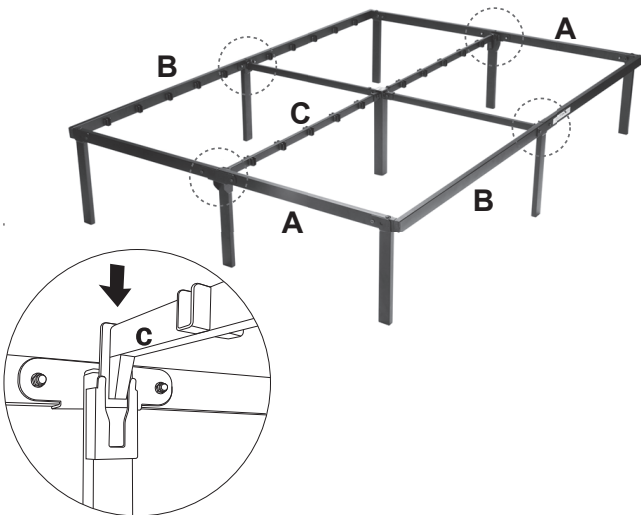
Step one



Step two

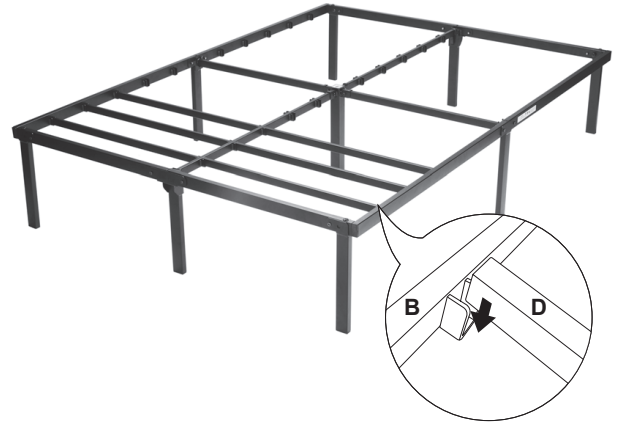


- Insert connecting pipe of middle feet (C) to side tube (A) and (B) as shown.



## 4 Joint supporting horizontal tube

- Insert horizontal tube (D) into slots of side tube (B).



- Finish the assembly



## Maintenance

- **Keep the product away from direct heat and sunlight.**
- **Prolonged exposure to heat sources may cause scorching, or even cause color to fade.**
- **Regular vacuuming or light brushing helps to remove dirt and prevent soil build-up, which increases the appearance wear.**
- **Periodically (every 90 days) make sure that the screws are fully tightened.**

## Care and Cleaning

- **Vacuum your product regularly. Small dust particles are very abrasive and can wear furniture prematurely.**
- **Never use harsh chemicals or solvents on your product as this may damage the metal.**
- **Marks and stains from pens, crayons and ink markers are difficult to remove. In the event that your product becomes permanently stained, we recommend that you consult a professional.**

**Questions, problems, missing parts?  
Before returning to the store, call Customer Service.  
8 a.m. – 7 p.m., EST, Monday – Friday, 9 a.m. – 6 p.m., EST, Saturday**

**1-877-527-0313  
HOMEDEPOT.COM**

**Retain this manual for future**