

Features

- Acrylic
- 1 hp blower motor with 300 W heater, and electronic user control
- Blower motor is supplied with a grounding-type plug-in cord
- 120 BubbleMassage™ airjets
- Drop-in
- Slotted overflow for maximum bathing depth
- Low threshold height
- Integral lumbar support
- Armrests
- 60" (152.4 cm) x 32" (81.3 cm) x 19" (48.3 cm)

Codes/Standards Applicable

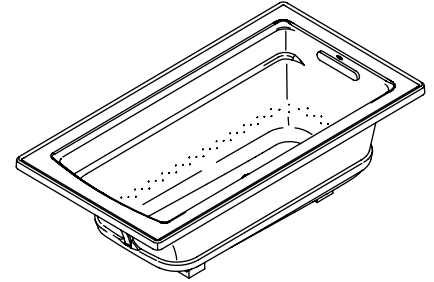
Specified model meets or exceeds the following:

- ANSI Z124.1.2
- IAPMO/UPC IGC 171
- Underwriters Laboratories (UL)

Specified Model

Model	Description	Colors/Finishes	
K-1122-G	Drop-in rim style	<input type="checkbox"/> 0	<input type="checkbox"/> Other_____
Required Accessories			
K-7272	Drain – above or through-the-floor installation	<input type="checkbox"/> CP	<input type="checkbox"/> Other_____
Recommended Accessories			
K-1446	Remote blower/motor installation kit		NA

5' (1.5 m) BUBBLEMASSAGE™ BATH WITH AIRJETS K-1122-G



Colors/Finishes

- 0: White
- Other: Refer to Price Book for additional colors/finishes

Accessories:

- CP: Polished Chrome
- NA: None applicable
- Other: Refer to Price Book for additional colors/finishes

Product Specification

The acrylic bath with airjets shall be 60" (152.4 cm) in length, 32" (81.3 cm) in width, and 19" (48.3 cm) in height. Bath shall have a 1 hp blower motor with 300 W heater and an electronic user control. The blower motor shall have a grounding-type plug-in cord. Bath shall have 120 BubbleMassage airjets. Bath shall have slotted overflow for maximum bathing depth and low threshold height. Bath shall have an integral lumbar support and armrests. The bath with airjets shall be Kohler Model K-1122-G-_____.

ARCHER™

Technical Information

Fixture*:	
Bathing well	
Basin area bottom	45-1/8" (114.6 cm) x 19-11/16" (50 cm)
Basin area top	52-3/4" (134 cm) x 25-5/16" (64.3 cm)
Weight	84 lbs (38.1 kg)
To overflow	
Water depth	15" (38.1 cm)
Capacity	58 gal (219.5 L)
* Approximate measurements for comparison only.	

Drop-in cutout dimensions:	
58-1/2" (148.6 cm) x 30-1/2" (77.5 cm)	

Blower motor:	Heater	V	Hz	A
1 hp	300 W	120	60	5

Required Electrical Service

Dedicated circuit required, protected with Class A Ground-Fault Circuit-Interrupter (GFCI):	
Blower motor:	120 V, 15 A, 60 Hz
Blower motor is supplied with a 24" (61 cm) grounding-type plug-in cord.	

Installation Notes

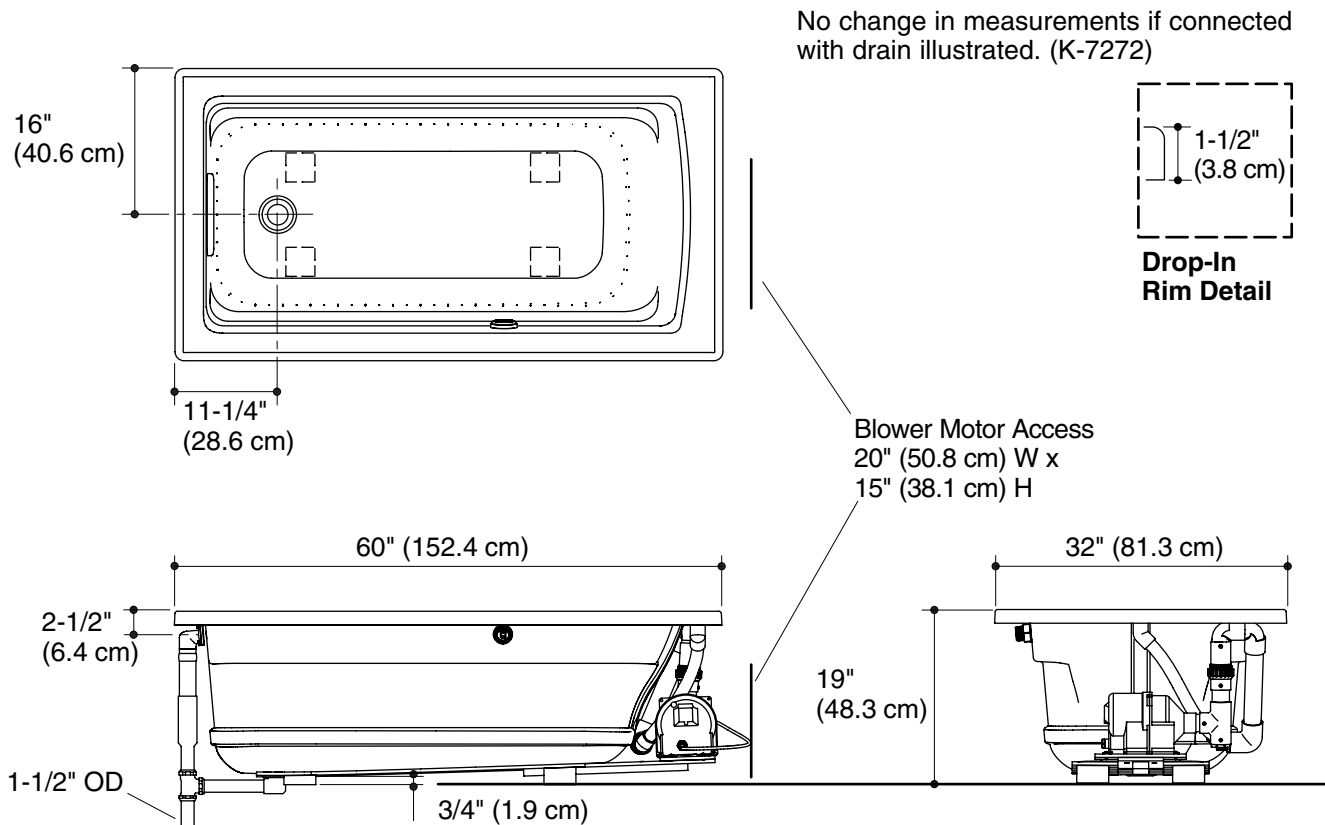
Install this product according to the installation guide.

Floor support under this product must provide for a minimum of 44.5 lbs/square foot (218 kg/square meter) loading.

The hot water supply should be 70% of the capacity of the bath or greater. Installations will vary.

A blower motor access panel is required.

This product is designed for a drop-in installation only. It is not suited for use in a three-wall alcove with an overhead shower.



Product Diagram

ARCHER™ 5' (1.5 m) BUBBLEMASSAGE™ BATH WITH AIRJETS

Page 2 of 2
1071360-4-B

THE BOLD LOOK
OF **KOHLER**®